



US00D582872S

(12) **United States Design Patent**
Oh et al.

(10) **Patent No.:** **US D582,872 S**
(45) **Date of Patent:** **** Dec. 16, 2008**

(54) **PORTABLE PHONE**

(75) Inventors: **Jong Hoon Oh**, Seoul (KR); **Ki-Sung Kim**, Seoul (KR); **Young-Ju Yeo**, Seoul (KR); **Chang-Hwan Hwang**, Goyang-Si (KR)

(73) Assignee: **Samsung Electronics Co., Ltd.**, Suwon-Si (KR)

(**) Term: **14 Years**

(21) Appl. No.: **29/270,034**

(22) Filed: **Dec. 14, 2006**

(30) **Foreign Application Priority Data**

Aug. 18, 2006 (KR) 30-2006-0034010

(51) **LOC (8) Cl.** **14-03**

(52) **U.S. Cl.** **D14/138**

(58) **Field of Classification Search** D14/137, D14/138, 147, 218, 341-347, 144, 148, 156, D14/247-248, 455, 456, 496; D18/6, 7; D21/517; 455/575.1, 575.3; 345/169
See application file for complete search history.

(56) **References Cited**

U.S. PATENT DOCUMENTS

D491,905 S *	6/2004	Jang	D14/138
D492,656 S *	7/2004	Lee	D14/138
D496,016 S *	9/2004	Hoo	D14/138
D502,457 S *	3/2005	Eigenstetter et al.	D14/138
D508,475 S *	8/2005	Wu et al.	D14/138
D510,733 S *	10/2005	Lee et al.	D14/138
7,003,318 B2 *	2/2006	Kota et al.	455/556.1
D520,484 S *	5/2006	Lee et al.	D14/138
D520,981 S *	5/2006	Lee et al.	D14/138
D546,311 S *	7/2007	Lee	D14/138
D546,312 S *	7/2007	Han et al.	D14/138
7,239,289 B2 *	7/2007	Kim	343/860
D552,065 S *	10/2007	Kim et al.	D14/138
D552,576 S *	10/2007	Kim et al.	D14/138
D556,166 S *	11/2007	Lee et al.	D14/138

D556,720 S *	12/2007	Lee	D14/138
D557,231 S *	12/2007	Chung et al.	D14/138
D557,232 S *	12/2007	Lee	D14/138
D558,167 S *	12/2007	Jung et al.	D14/138
D558,169 S *	12/2007	Chung et al.	D14/138
D559,820 S *	1/2008	Lee	D14/138
D563,361 S *	3/2008	Moon et al.	D14/138
2006/0121961 A1 *	6/2006	Cho	455/575.3
2007/0178949 A1 *	8/2007	Sato et al.	455/575.3

FOREIGN PATENT DOCUMENTS

WO DM/066629 * 5/2005

OTHER PUBLICATIONS

Nokia 6103, announced 1st quarter 2006, [online], [retrieved on Mar. 10, 2008]. Retrieved from Internet ,<URL: <http://www.gsmarena.com>>.*

(Continued)

Primary Examiner—Jeffrey D. Asch
Assistant Examiner—Bridget L Eland
(74) *Attorney, Agent, or Firm*—Staas & Halsey LLP

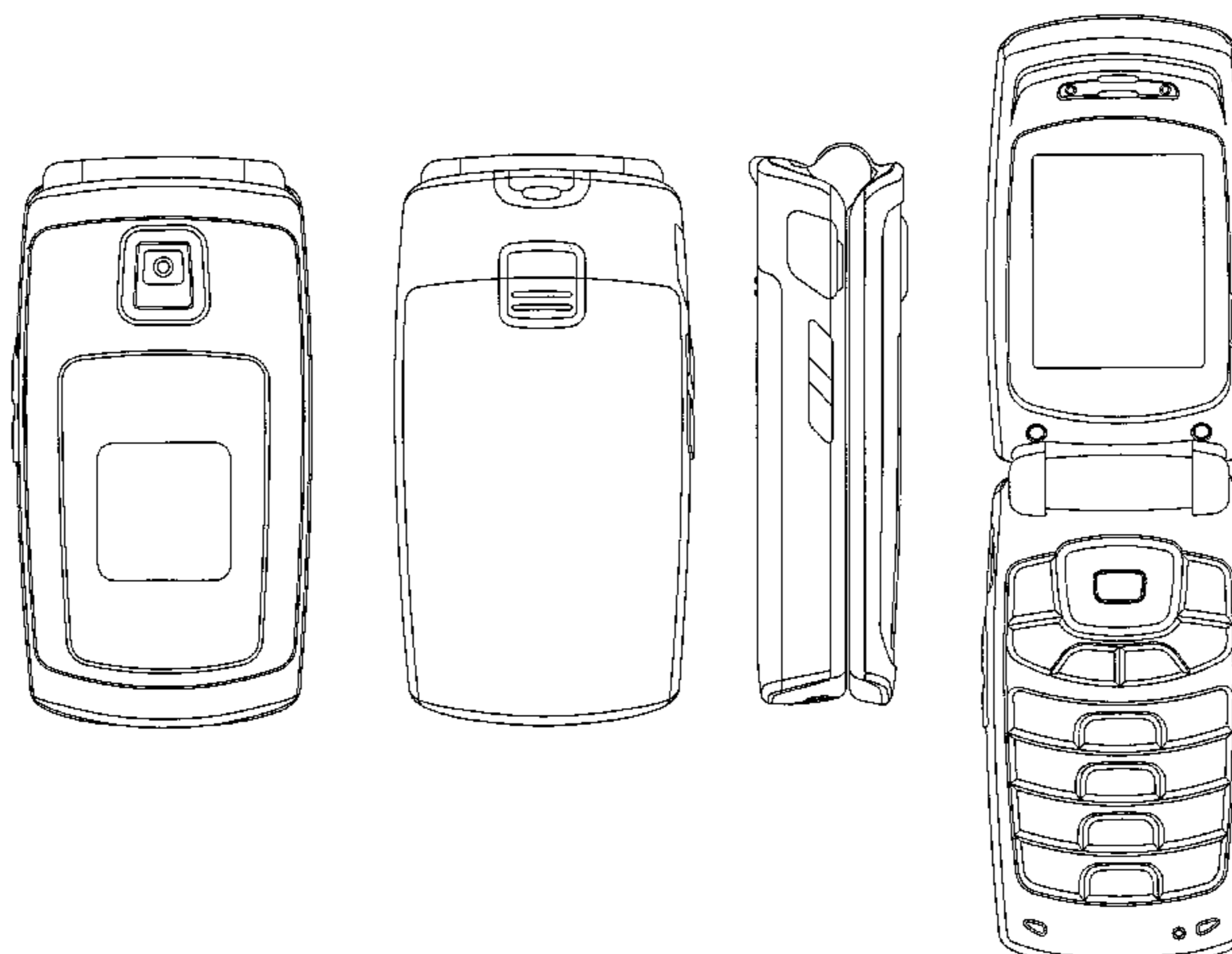
(57) **CLAIM**

The ornamental design for a portable phone, as shown and described.

DESCRIPTION

FIG. 1 is a perspective view of a portable phone;
FIG. 2 is a front view of the portable phone of FIG. 1;
FIG. 3 is a rear view of the portable phone of FIG. 1;
FIG. 4 is a left-side view of the portable phone of FIG. 1;
FIG. 5 is a right-side view of the portable phone of FIG. 1;
FIG. 6 is a top plan view of the portable phone of FIG. 1;
FIG. 7 is a bottom plan view of the portable phone of FIG. 1;
and,
FIG. 8 is a front open view of the portable phone of FIG. 1.

1 Claim, 5 Drawing Sheets



OTHER PUBLICATIONS

Samsung Z600, announced Feb. 2006, [online], [retrieved on Mar. 10, 2008]. Retrieved from Internet ,<URL: <http://www.gsmarena.com>>.*

Alcatel OT-C707, announced Feb. 2007, [online], [retrieved on Mar. 10, 2008]. Retrieved from Internet ,<URL: <http://www.gsmarena.com>>.*

Siemens CF62, announced Feb. 2004, [online], [retrieved on Mar. 10, 2008]. Retrieved from Internet ,<URL: <http://www.gsmarena.com>>.*

NEC N820, announced 4th quarter 2003, [online], [retrieved on Mar. 10, 2008]. Retrieved from Internet ,<URL: <http://www.gsmarena.com>>.*

* cited by examiner

FIG. 1

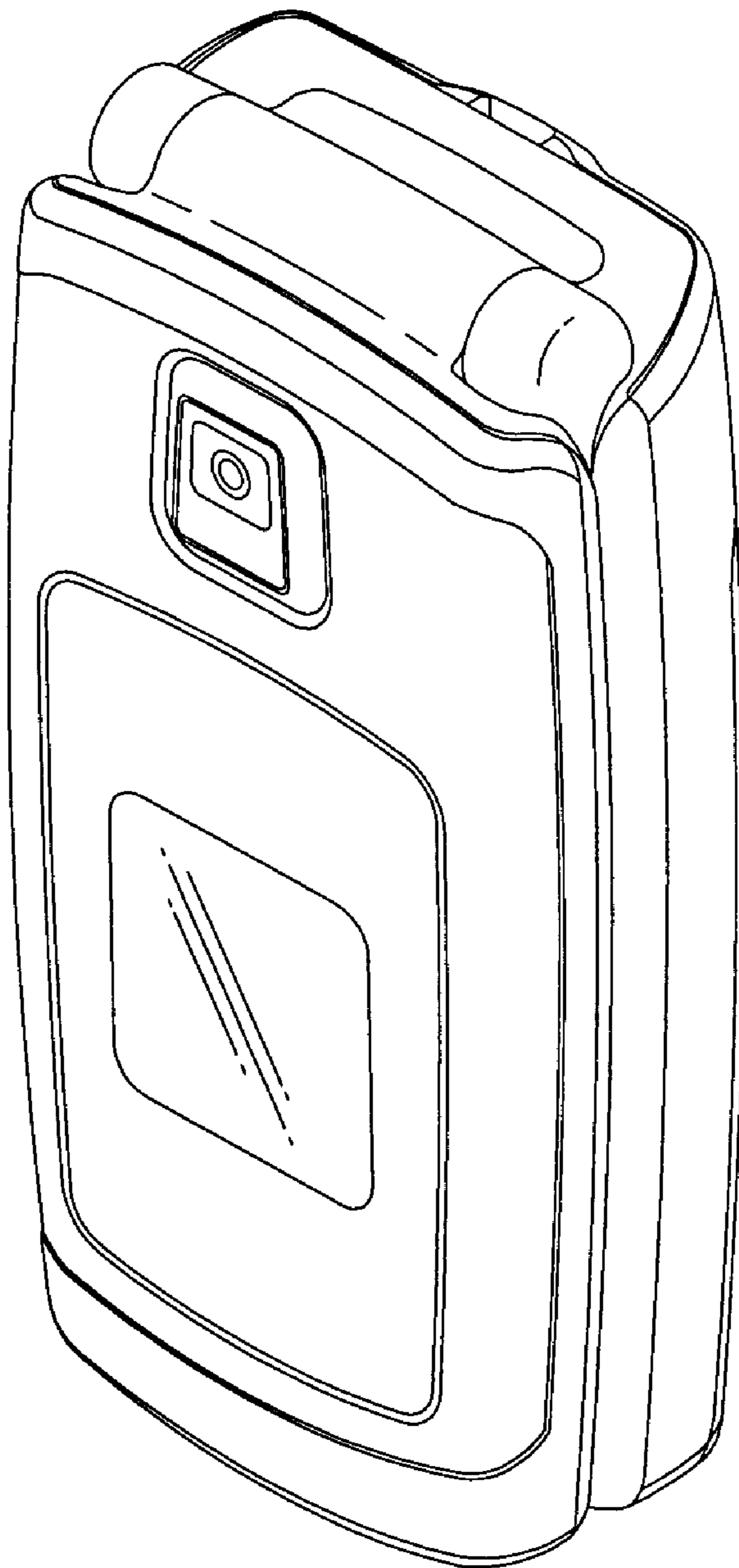


FIG. 2

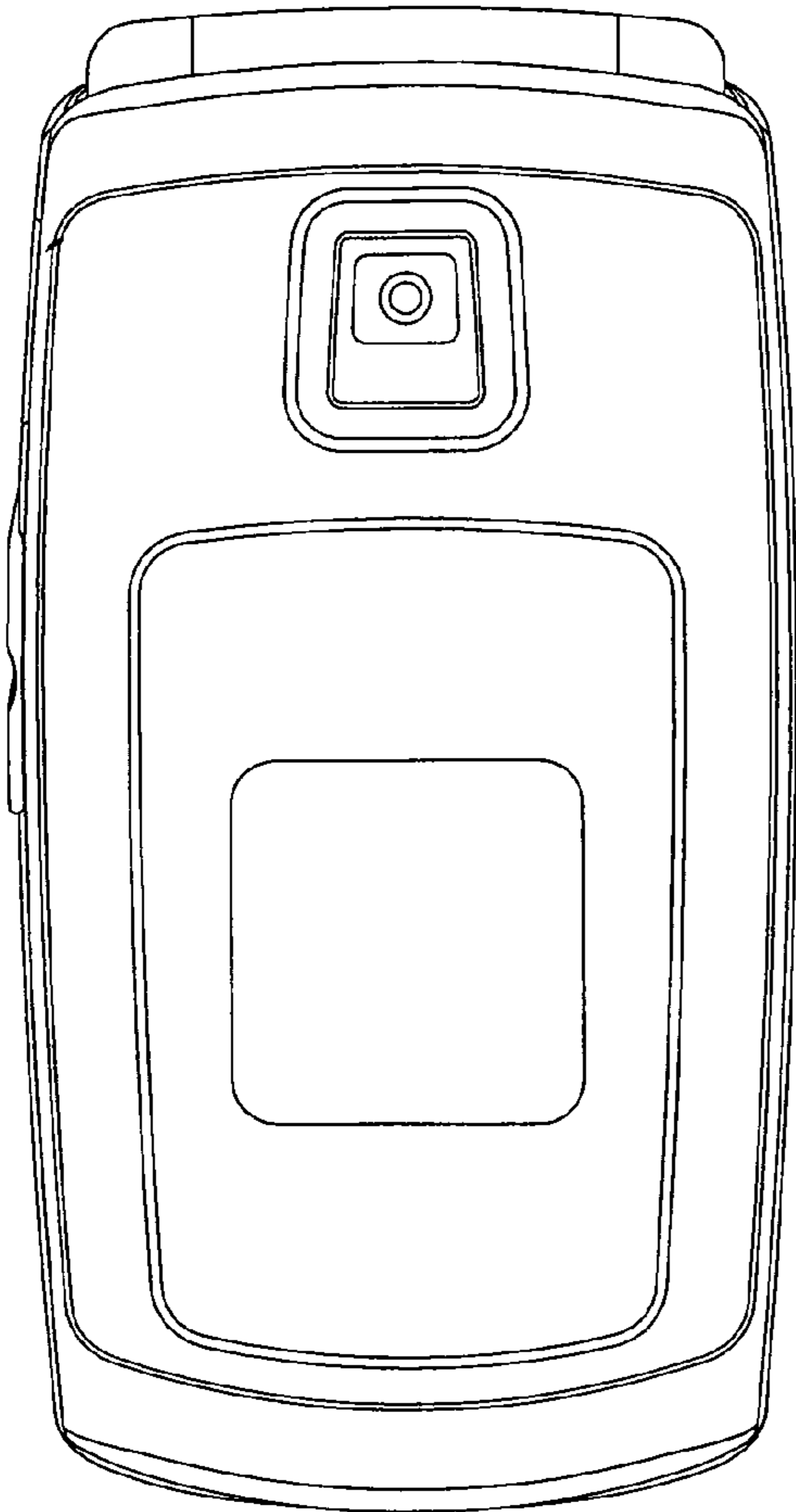


FIG. 3

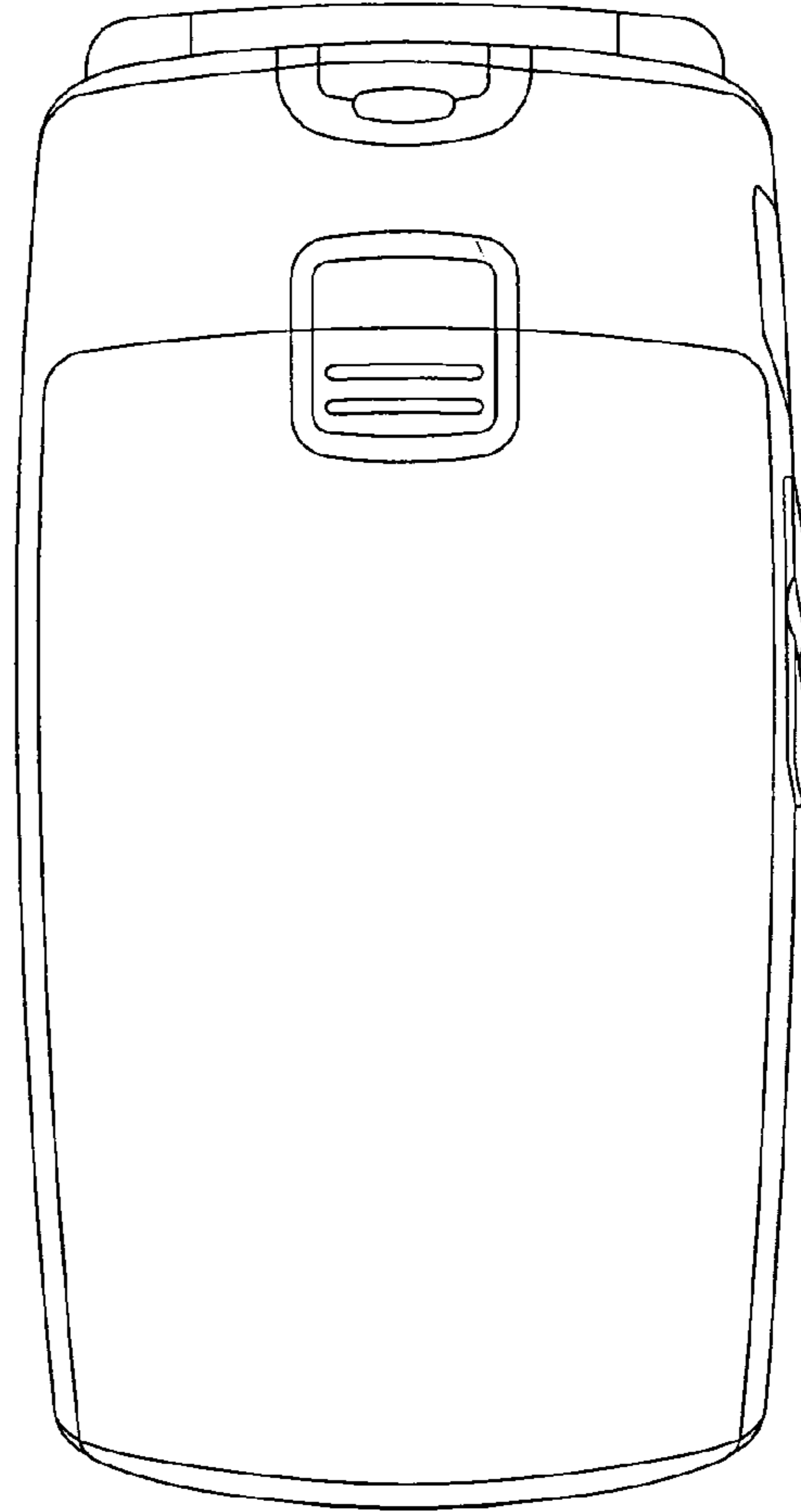


FIG. 4

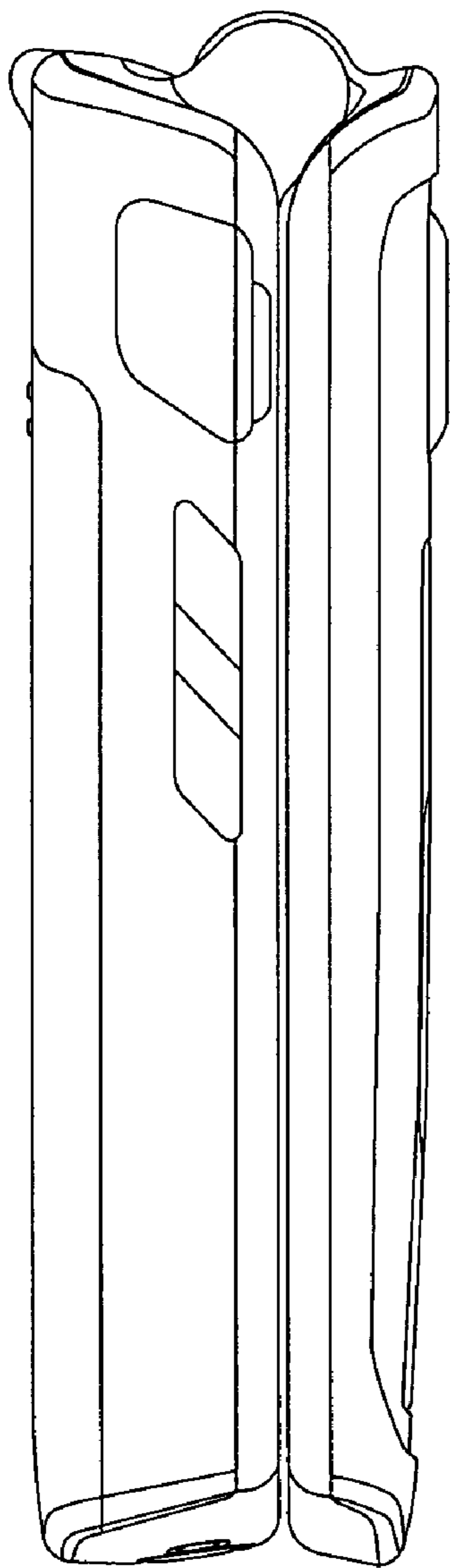


FIG. 5

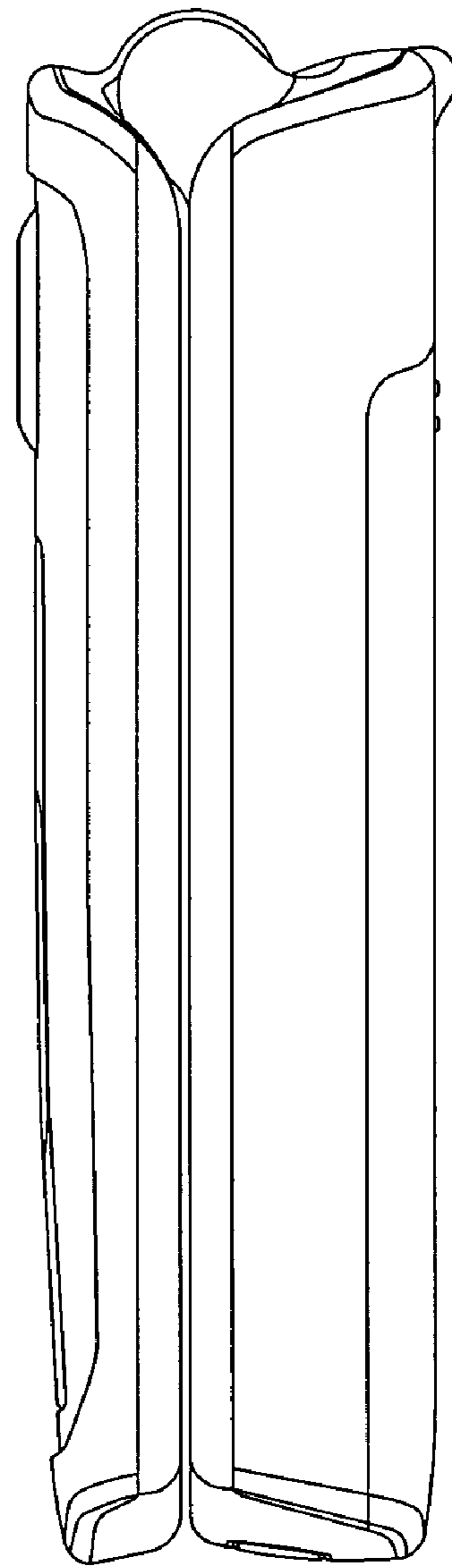


FIG. 6

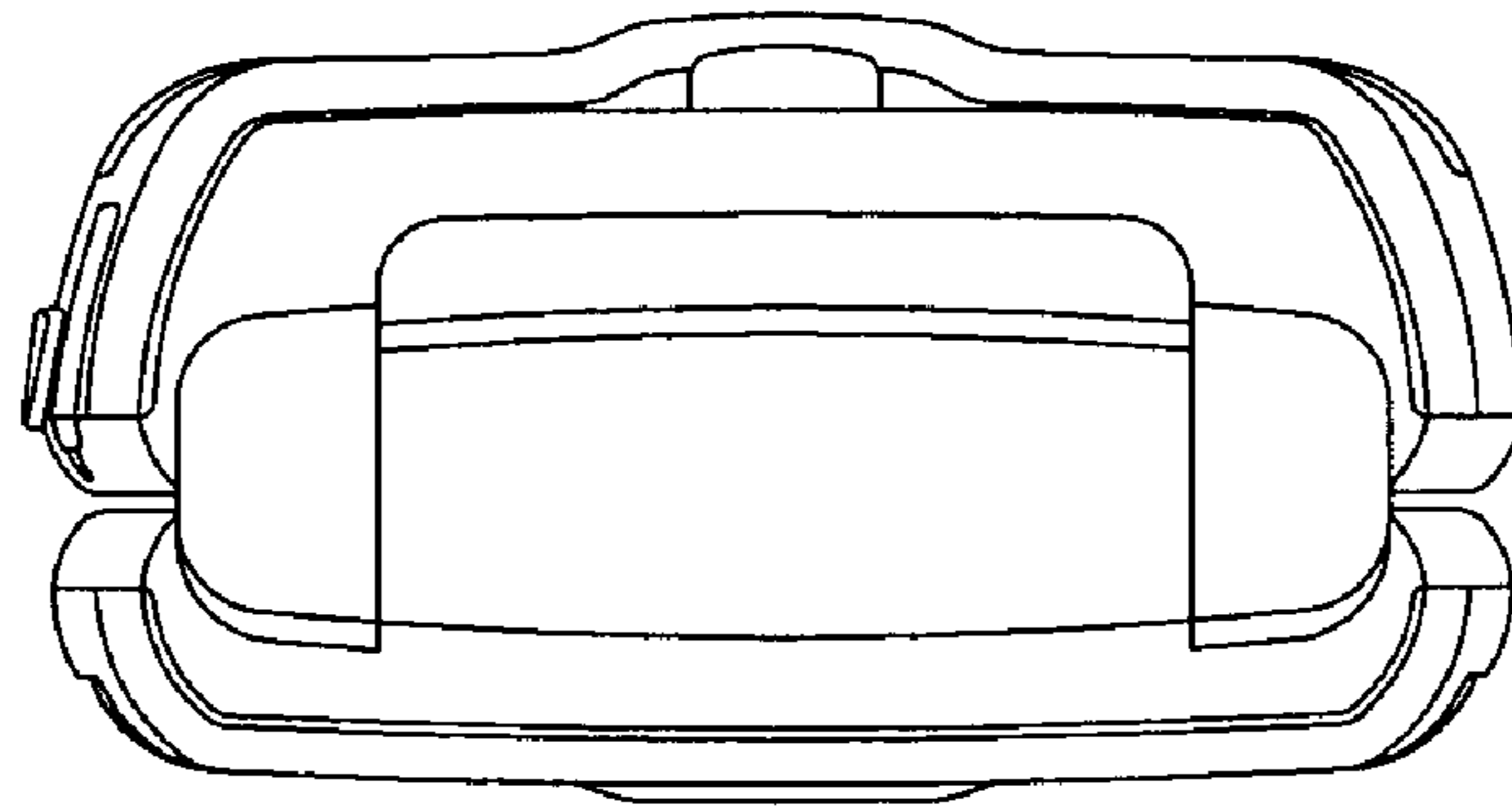


FIG. 7

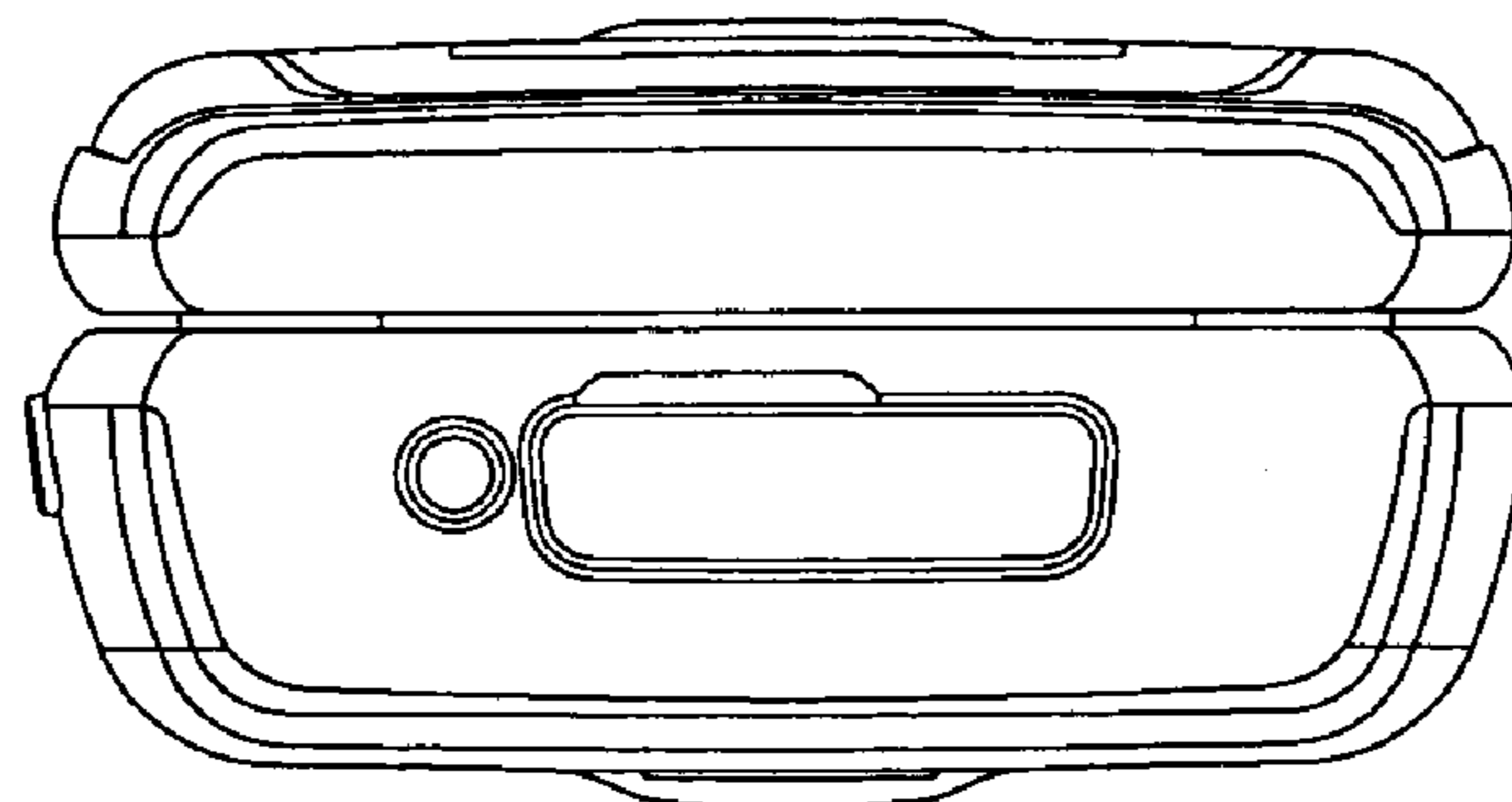


FIG. 8

