



US00D582864S

(12) **United States Design Patent**
Horng et al.

(10) **Patent No.:** **US D582,864 S**
(45) **Date of Patent:** **** Dec. 16, 2008**

(54) **MINI FAN CASING**

(75) Inventors: **Alex Horng**, Kaohsiung (TW); **Tso-Kuo Yin**, Kaohsiung (TW)

(73) Assignee: **Sunonwealth Electric Machine Industry Co., Ltd.**, Kaohsiung (TW)

(**) Term: **14 Years**

(21) Appl. No.: **29/272,245**

(22) Filed: **Feb. 5, 2007**

(30) **Foreign Application Priority Data**

Oct. 5, 2006 (TW) 95305555

(51) **LOC (8) Cl.** **13-03**

(52) **U.S. Cl.** **D13/179**

(58) **Field of Classification Search** D13/179;
165/80.3, 104.33, 151, 122, 185; 257/706,
257/707, 718-722; 361/687, 695, 697, 700,
361/702, 704, 709, 710, 711, 719

See application file for complete search history.

(56) **References Cited**

U.S. PATENT DOCUMENTS

5,297,617 A * 3/1994 Herbert 165/80.3
D356,777 S * 3/1995 Katsui et al. D13/179
D357,900 S * 5/1995 Katsui et al. D13/179

5,419,780 A * 5/1995 Suski 136/205
5,484,262 A * 1/1996 Thomas et al. 415/178
5,494,098 A * 2/1996 Morosas 165/121
5,597,034 A * 1/1997 Barker et al. 165/80.3
5,704,419 A * 1/1998 Agonafer et al. 165/121
6,345,664 B1 * 2/2002 Katsui 165/80.3
6,655,929 B2 * 12/2003 Hsieh 417/368
2003/0015311 A1 * 1/2003 Lin et al. 165/80.3

* cited by examiner

Primary Examiner—Selina Sikder

(74) *Attorney, Agent, or Firm*—Bacon & Thomas, PLLC

(57) **CLAIM**

The ornamental design for mini fan casing, as shown and described.

DESCRIPTION

FIG. 1 is a perspective view of the mini fan casing in accordance with the claimed design;

FIG. 2 is a front elevational view thereof;

FIG. 3 is a rear elevational view thereof;

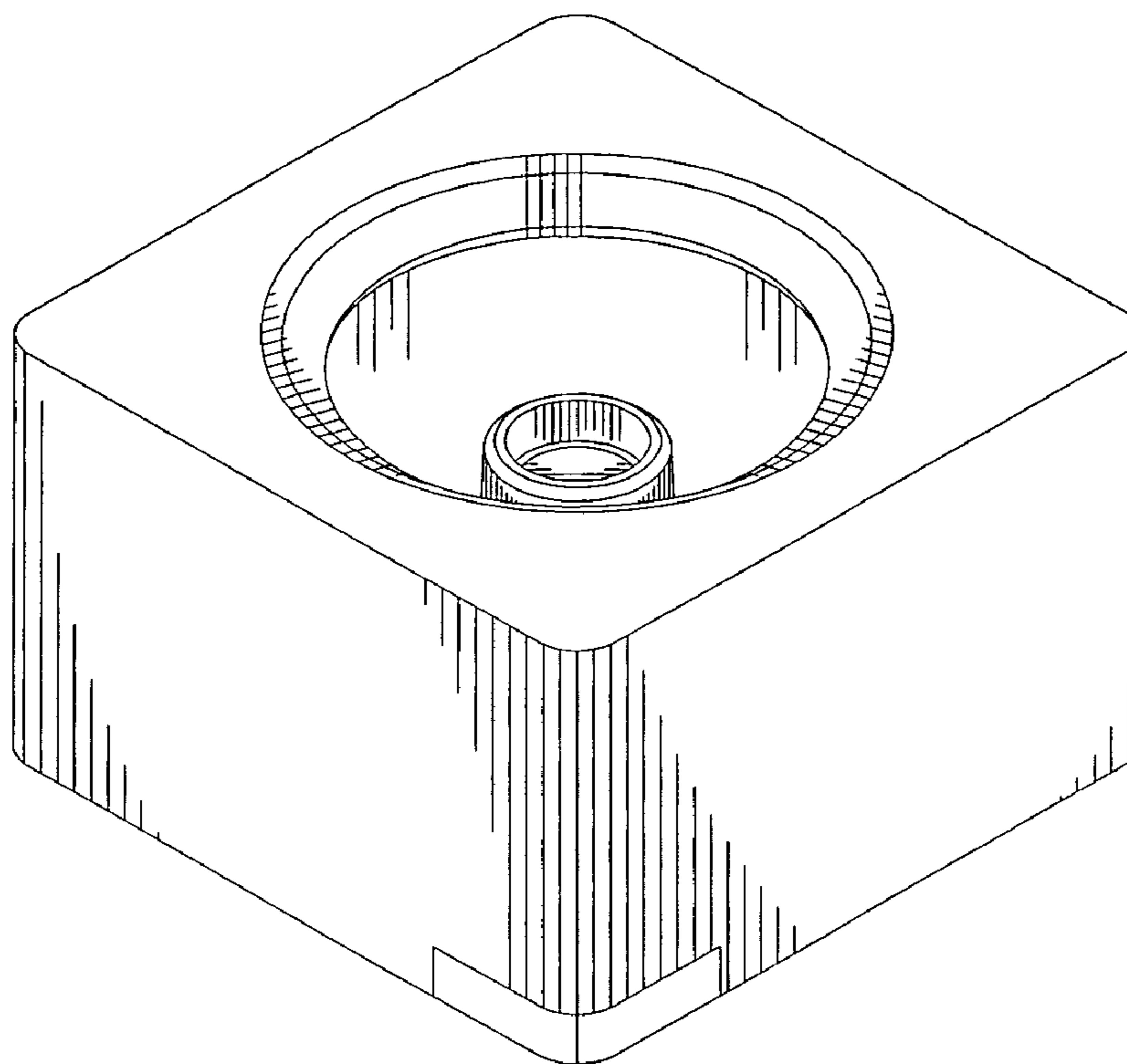
FIG. 4 is a left side elevational view thereof;

FIG. 5 is a right side elevational view thereof;

FIG. 6 is a top plan view thereof; and,

FIG. 7 is a bottom plan view thereof wherein the broken lines represent unclaimed subject matter.

1 Claim, 4 Drawing Sheets



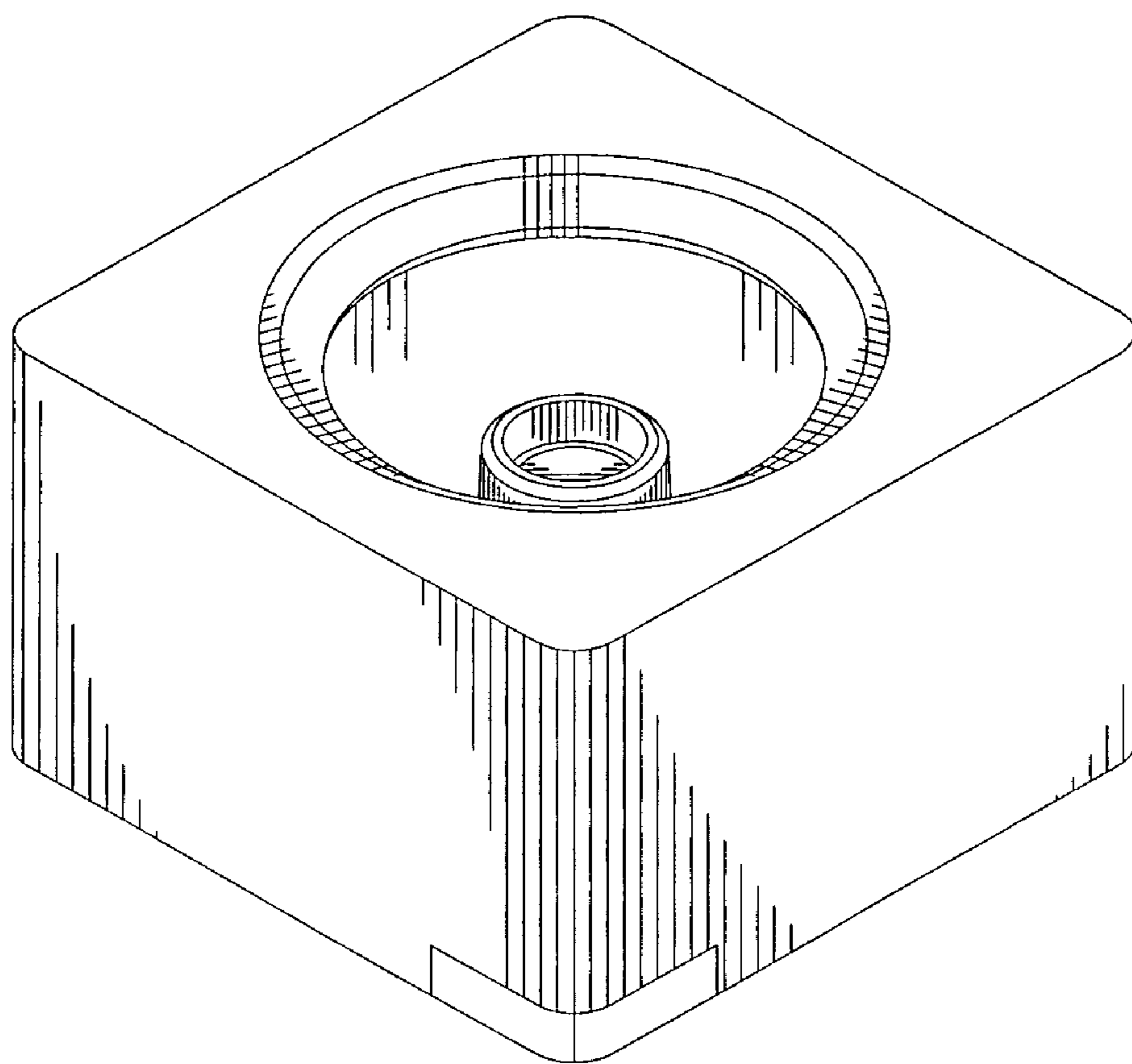


FIG. 1

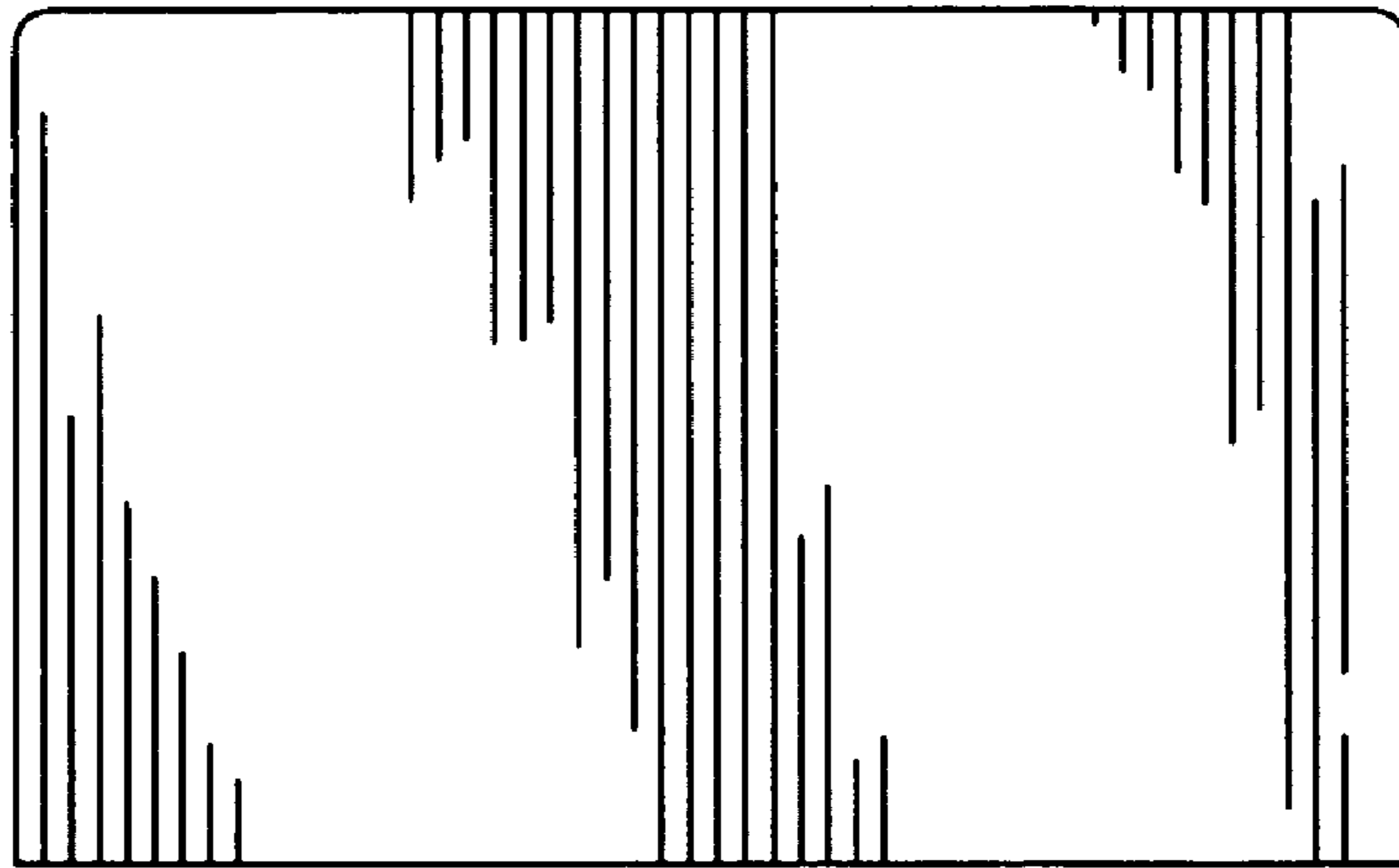


FIG. 4

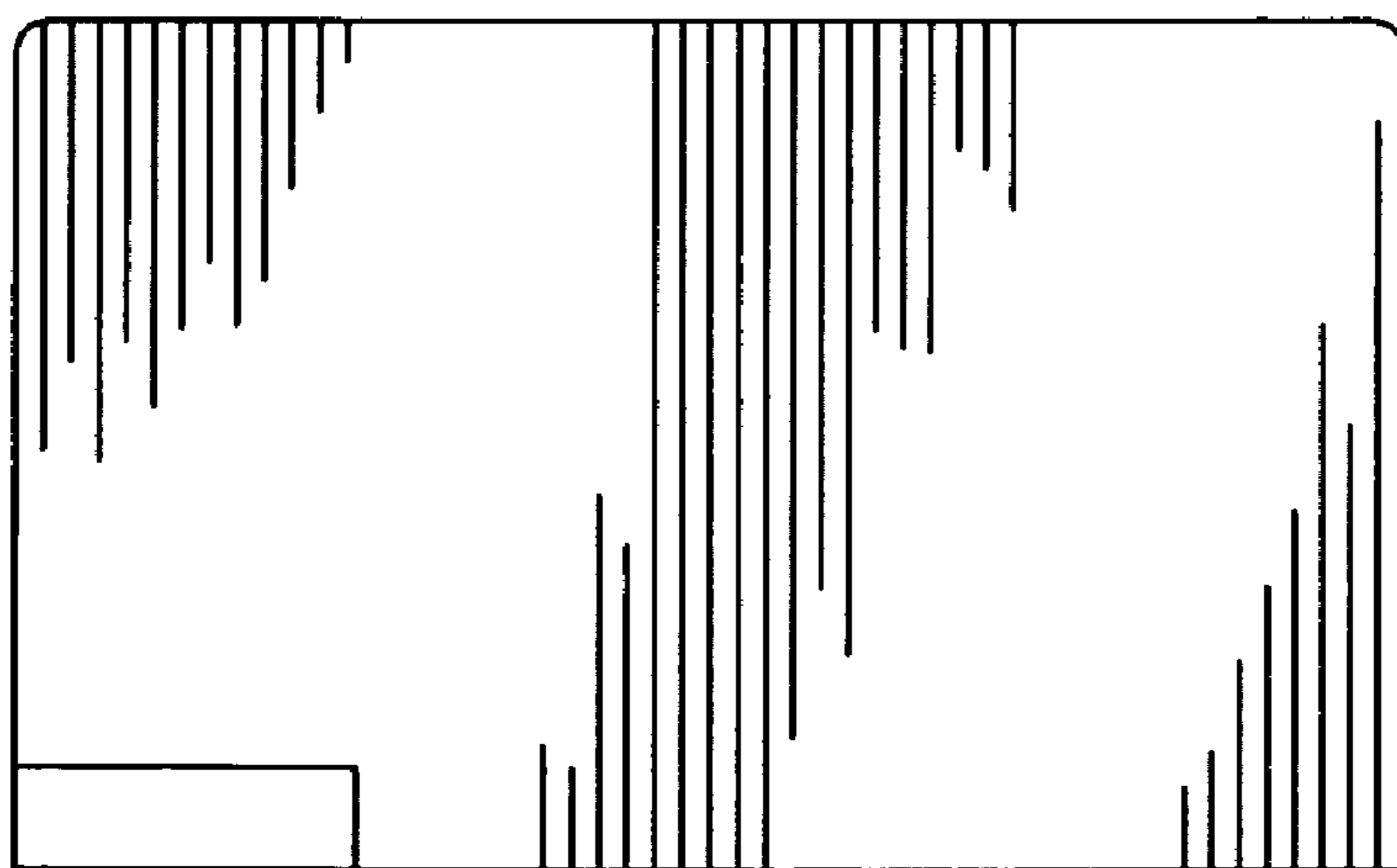


FIG. 5

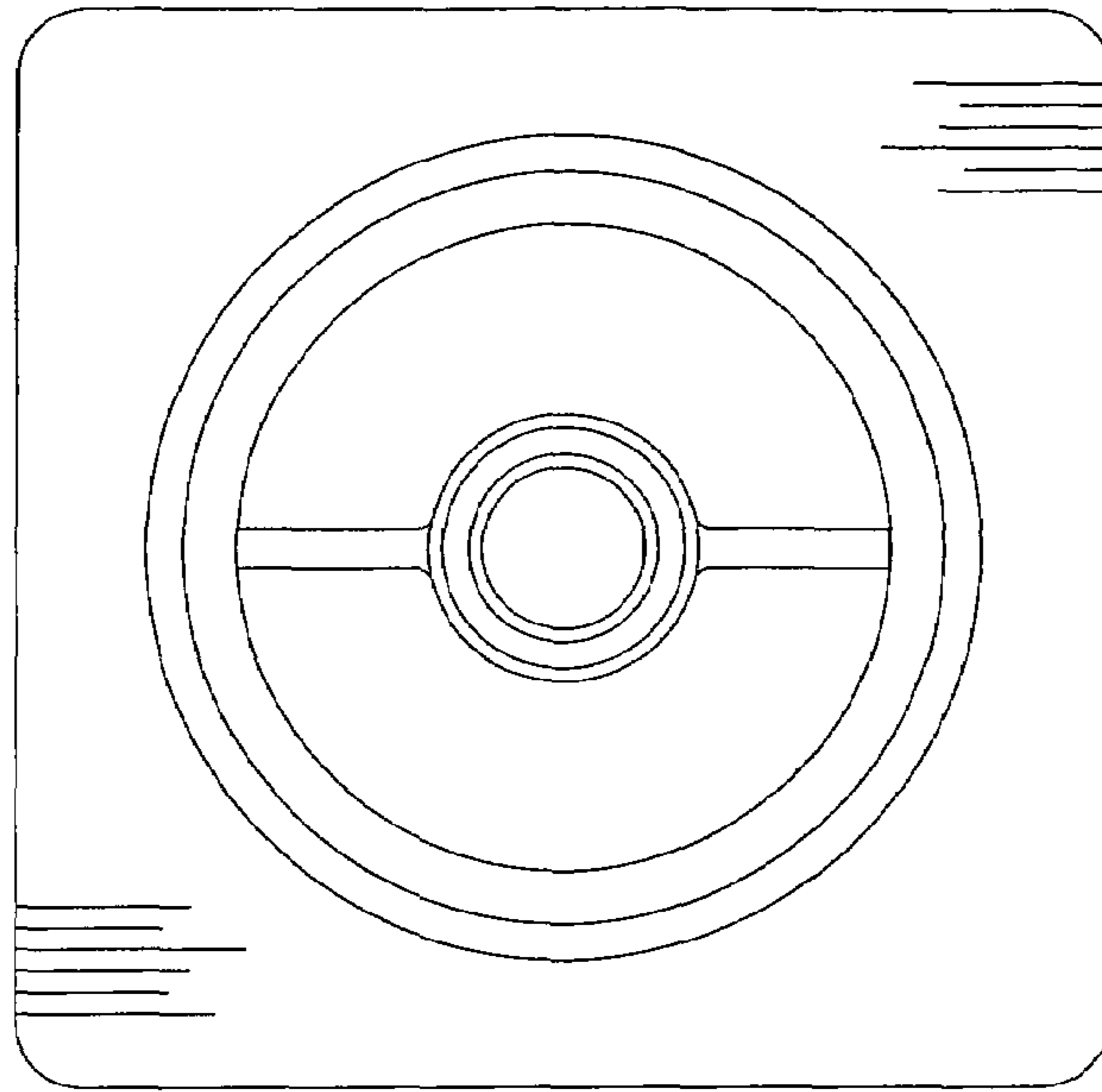


FIG. 6

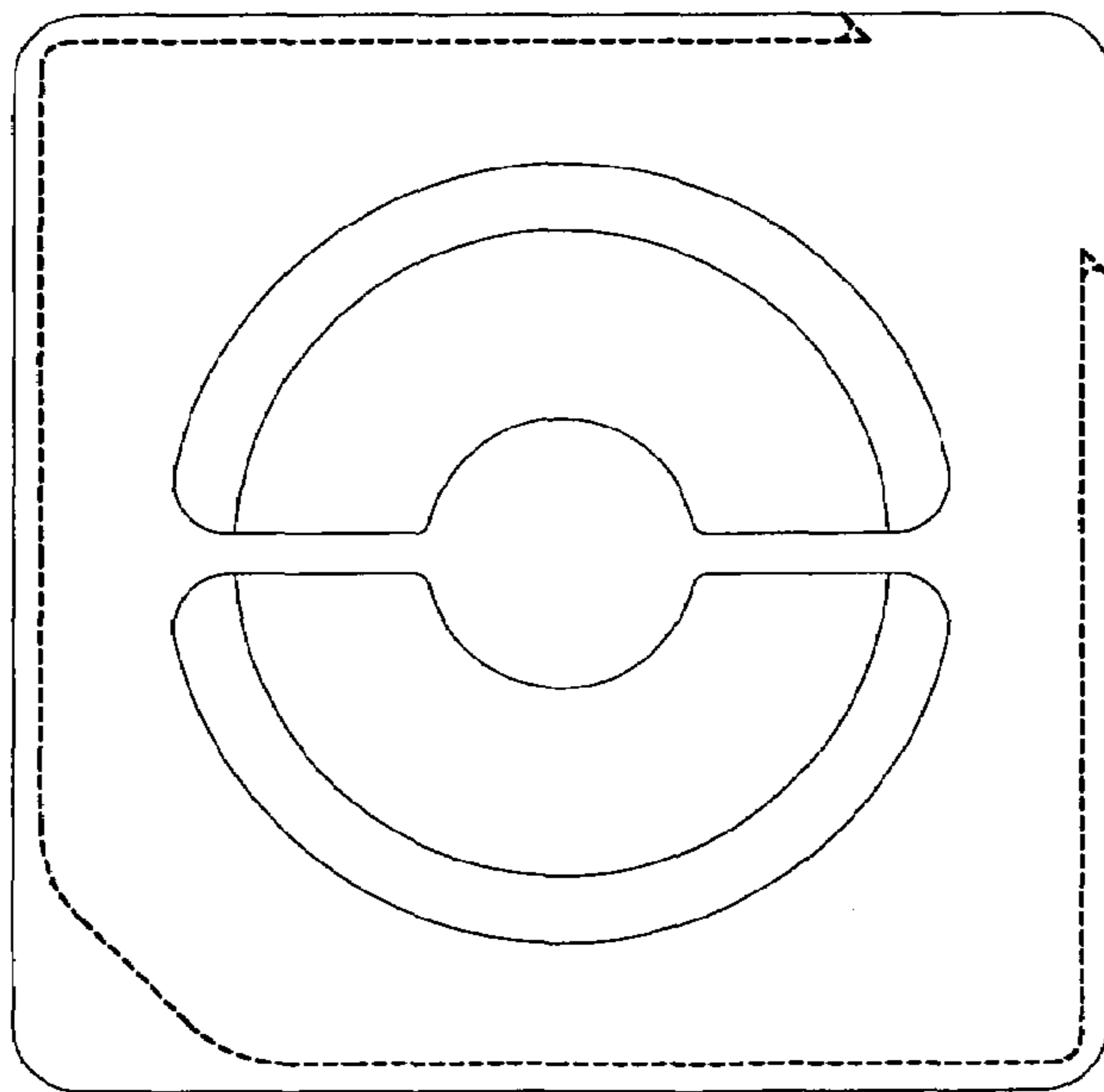


FIG. 7