



US00D582861S

(12) **United States Design Patent**
Honma et al.

(10) **Patent No.:** **US D582,861 S**

(45) **Date of Patent:** **** Dec. 16, 2008**

(54) **CONNECTOR HOLDER**

(75) Inventors: **Toshihiko Honma**, Kanagawa (JP);
Tsutomu Watanabe, Kanagawa (JP)

(73) Assignee: **Sumitomo Electric Industries, Ltd.**,
Osaka (JP)

(**) Term: **14 Years**

(21) Appl. No.: **29/287,489**

(22) Filed: **Aug. 14, 2007**

(30) **Foreign Application Priority Data**

Feb. 15, 2007 (JP) 2007-003652

(51) **LOC (8) Cl.** **13-03**

(52) **U.S. Cl.** **D13/149**

(58) **Field of Classification Search** D13/133,
D13/149, 184; 385/137, 138, 78
See application file for complete search history.

(56) **References Cited**

U.S. PATENT DOCUMENTS

D234,695	S *	4/1975	Anderson	D13/149
5,044,721	A *	9/1991	Nakamura	385/53
5,182,789	A *	1/1993	Nash-Stevenson et al.	..	385/137
5,251,279	A *	10/1993	Shibata et al.	385/86
6,811,322	B2 *	11/2004	Chen et al.	385/78
6,827,587	B2 *	12/2004	Ma	439/73
D505,921	S *	6/2005	Ma	D13/149
2003/0091317	A1 *	5/2003	Schlueter et al.	385/137
2003/0123836	A1 *	7/2003	Fujisawa et al.	385/137

2004/0175974	A1 *	9/2004	Ma et al.	439/135
2006/0098923	A1 *	5/2006	Fujiwara et al.	385/88
2007/0274663	A1 *	11/2007	Rampulla et al.	385/137

* cited by examiner

Primary Examiner—Daniel D Bui

Assistant Examiner—Thomas J Johannes

(74) *Attorney, Agent, or Firm*—McDermott Will & Emery LLP

(57) **CLAIM**

The ornamental design for connector holder, as shown and described.

DESCRIPTION

FIG. 1 is a front view of a connector holder showing our new design;

FIG. 2 is a rear view thereof;

FIG. 3 is a top plain view thereof;

FIG. 4 is a bottom view thereof;

FIG. 5 is a left side view thereof;

FIG. 6 is a right side view thereof;

FIG. 7 is a perspective reference view of the front, left and top of connector holder showing our new design;

FIG. 8 is a perspective reference view of usage; and,

FIG. 9 is a perspective reference view of usage in the open condition.

The portions shown in broken lines are for illustrative purposes only and form no part of the claimed design.

1 Claim, 7 Drawing Sheets

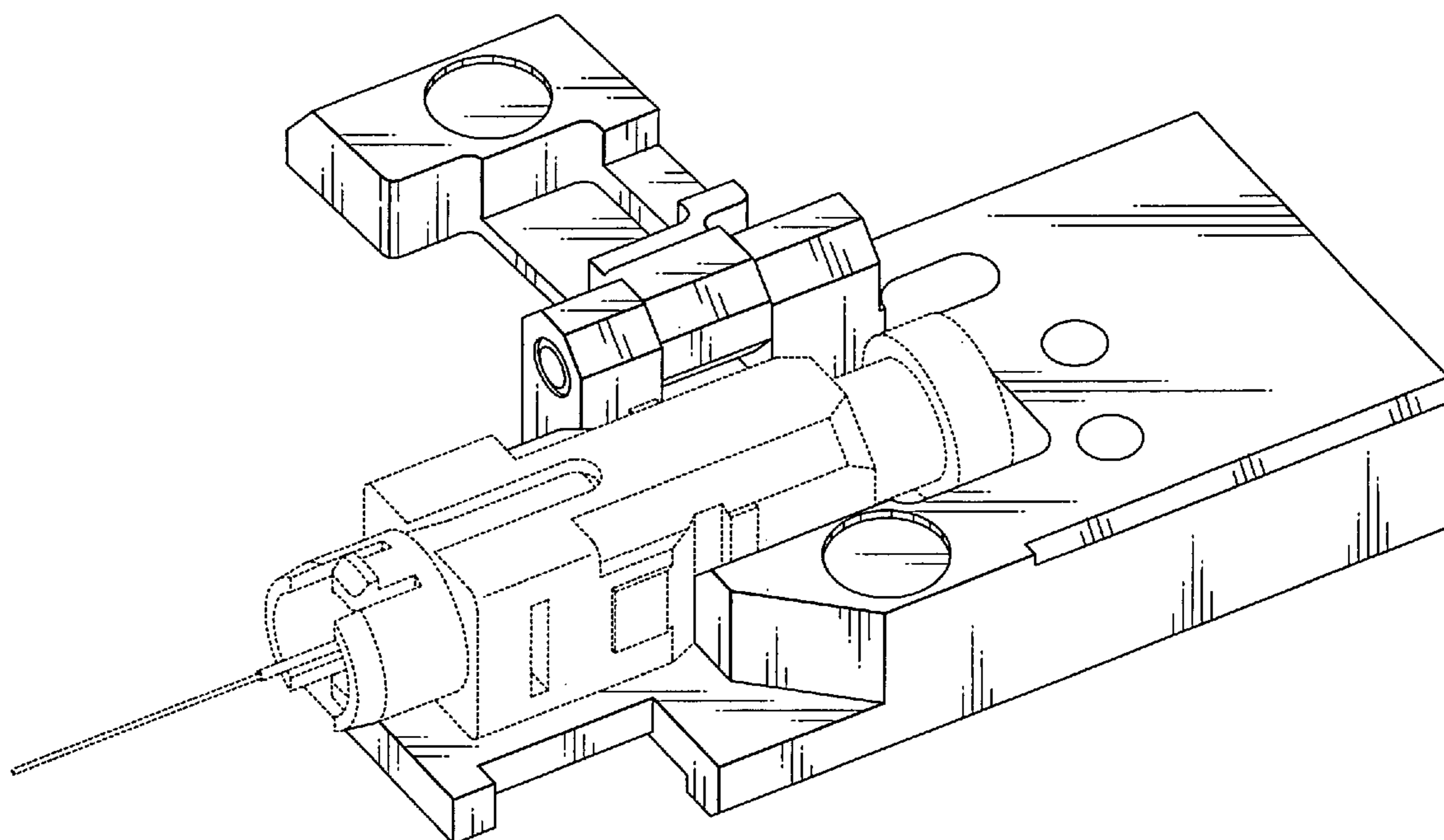


FIG.1

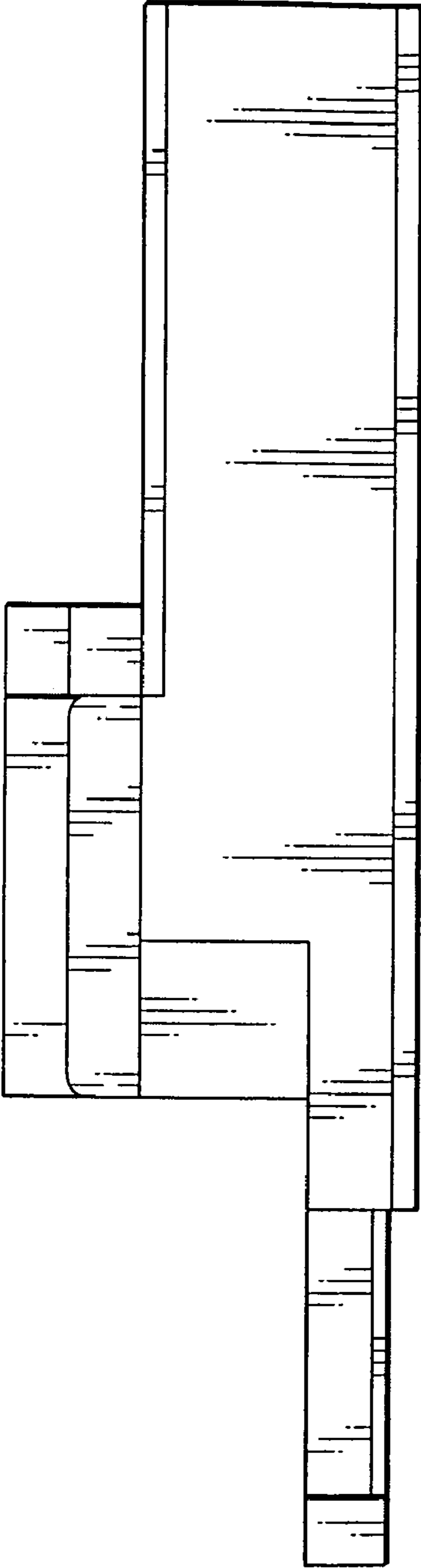


FIG.2

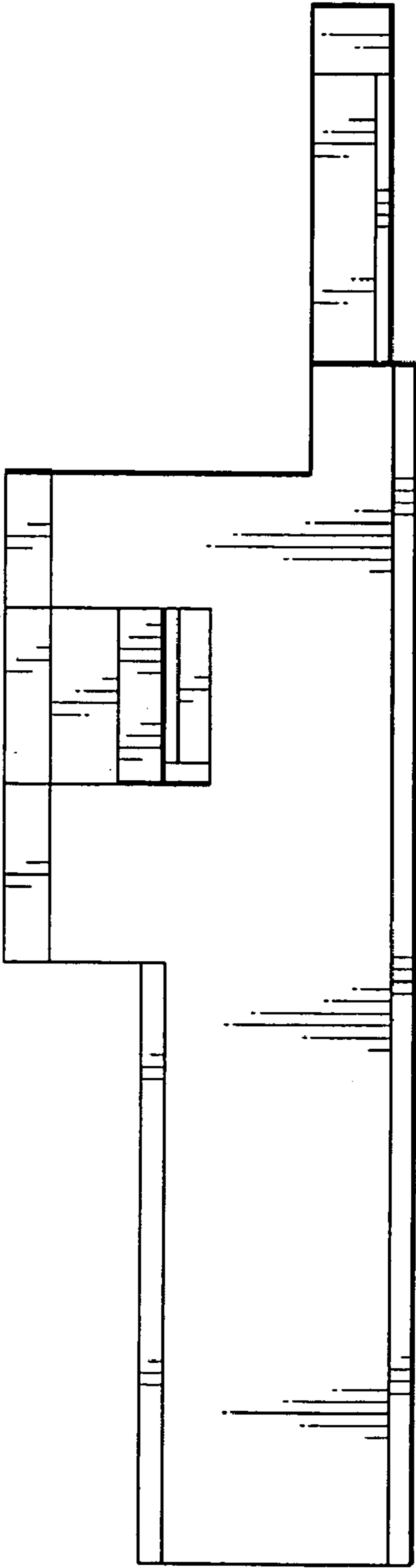


FIG.3

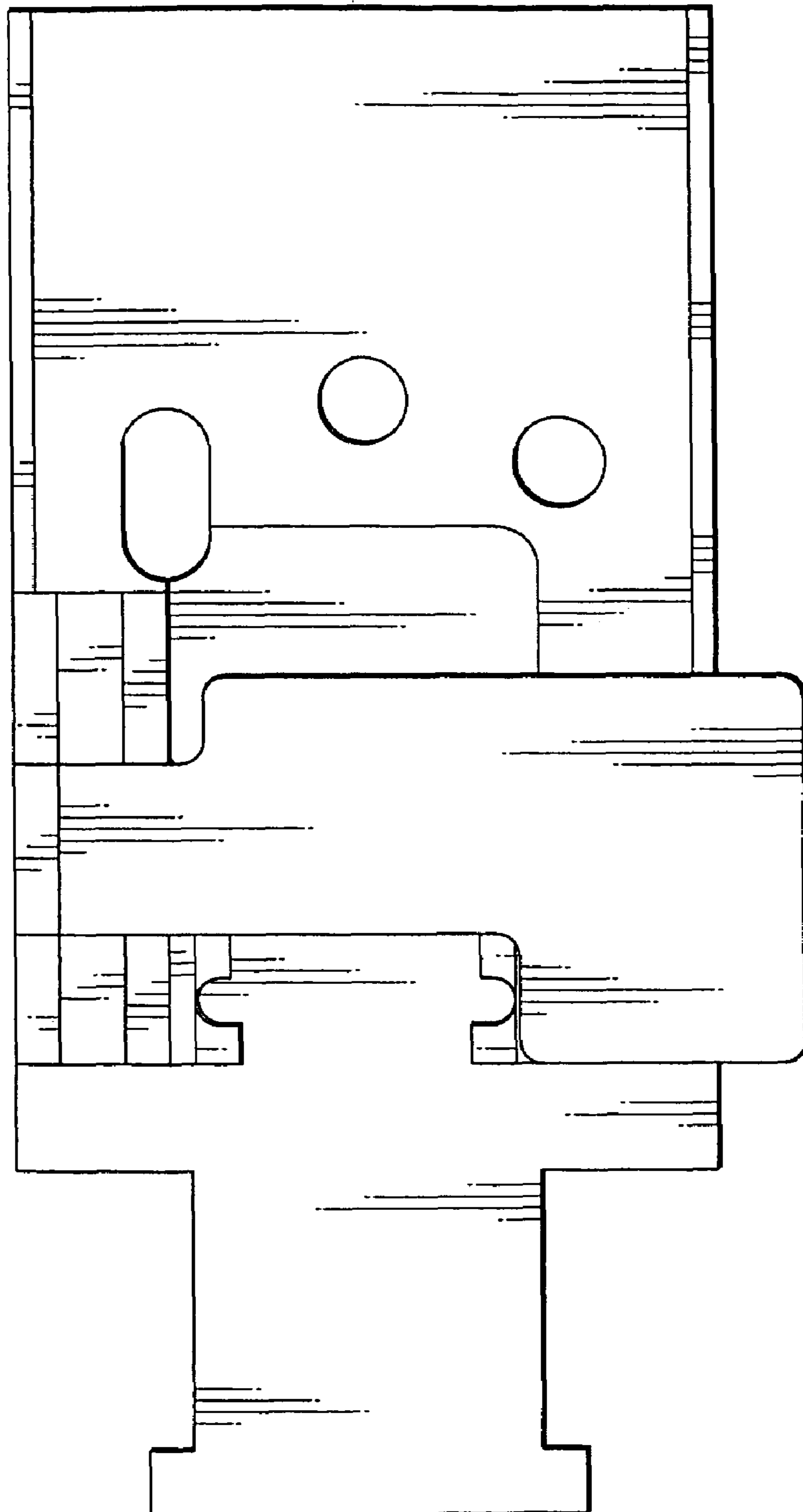


FIG.4

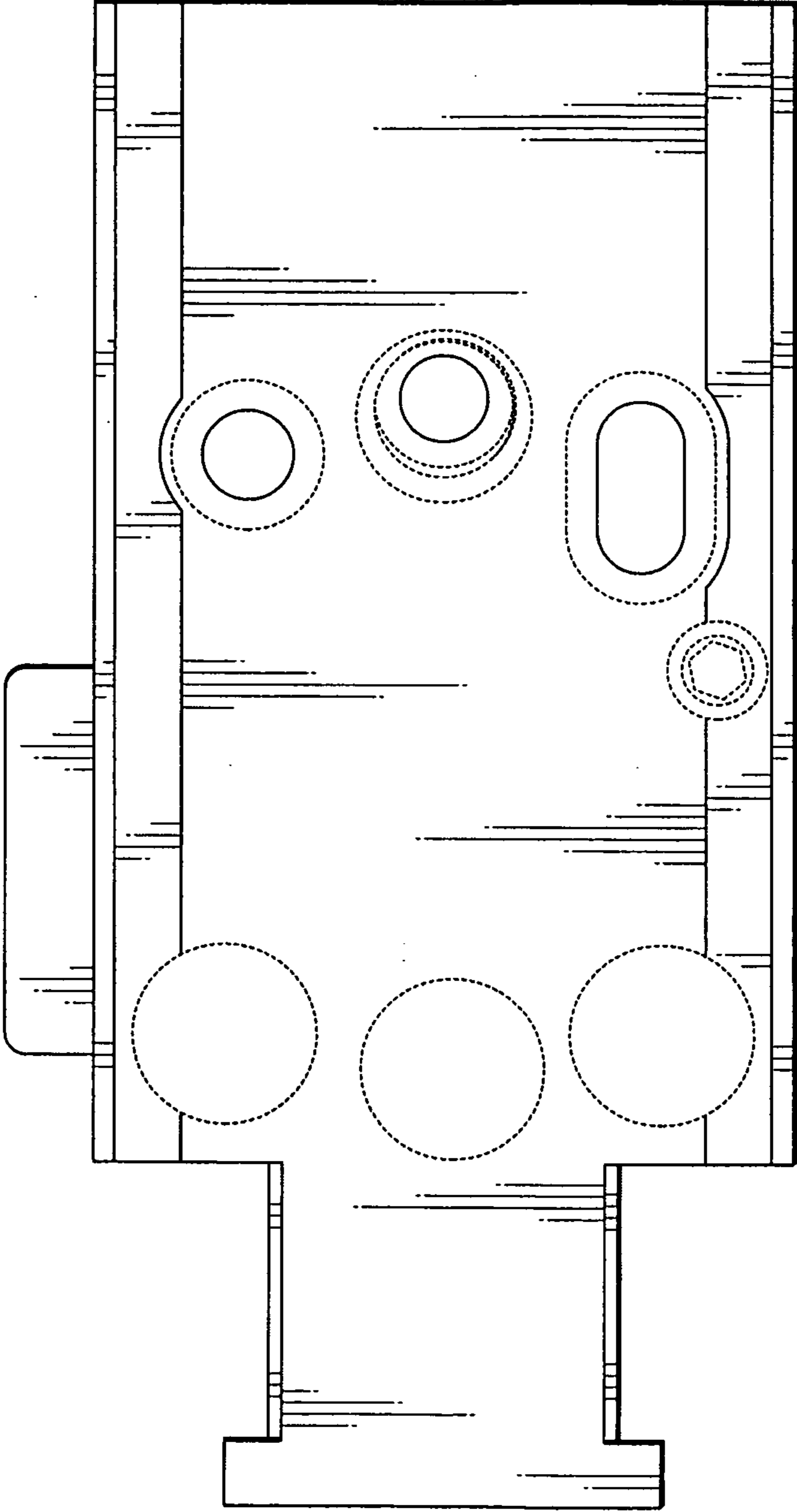


FIG.6

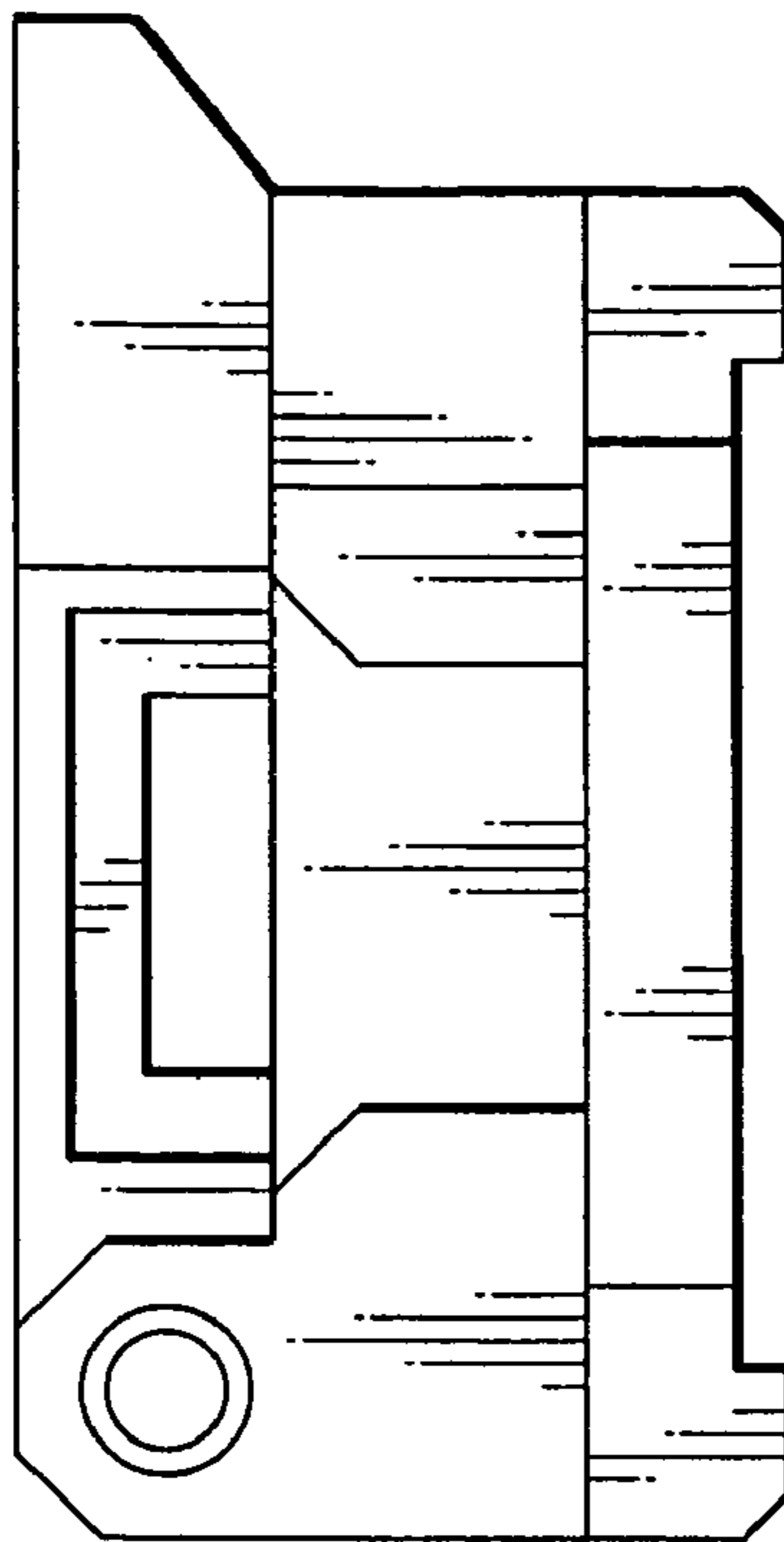


FIG.5

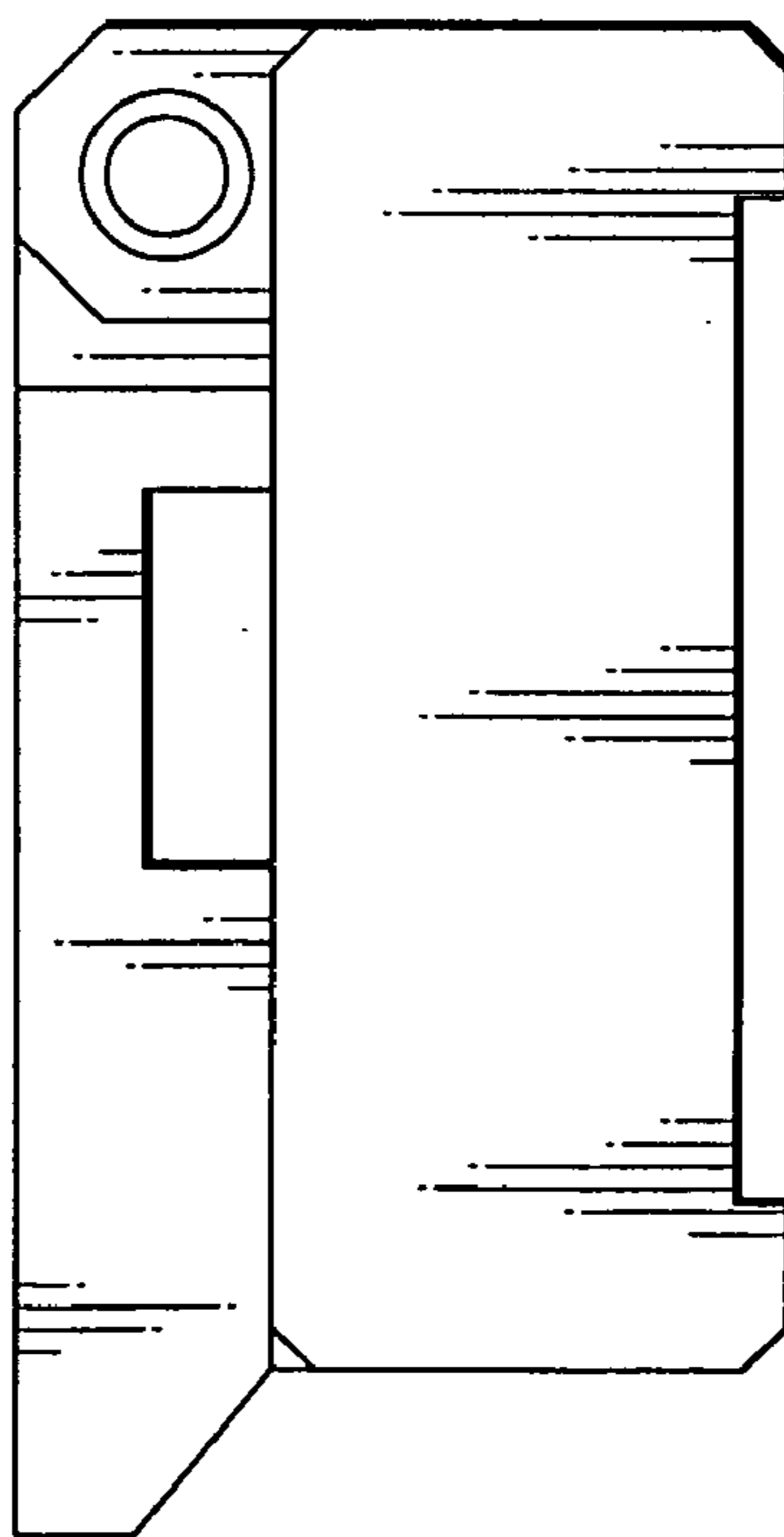


FIG. 7

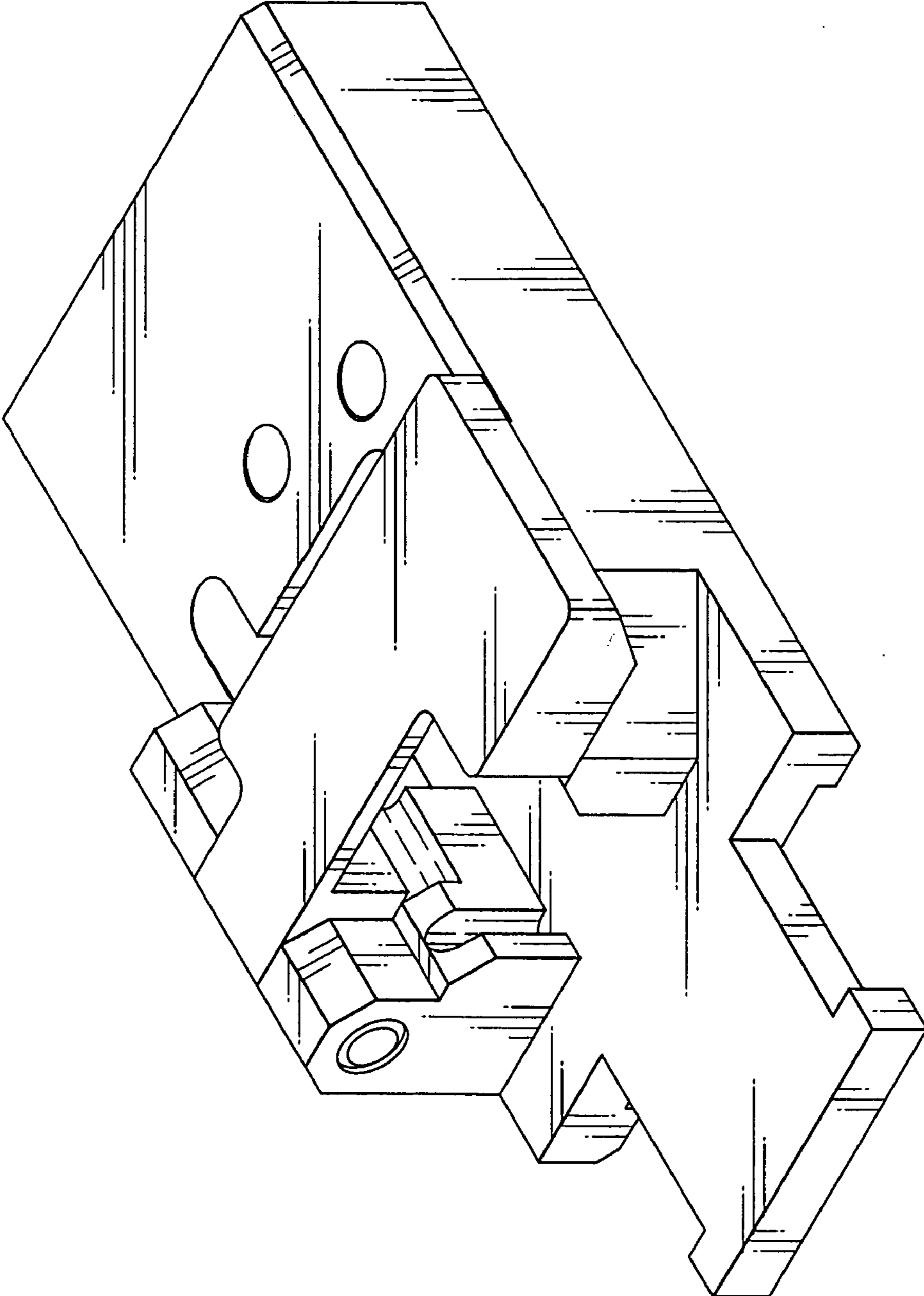


FIG.8

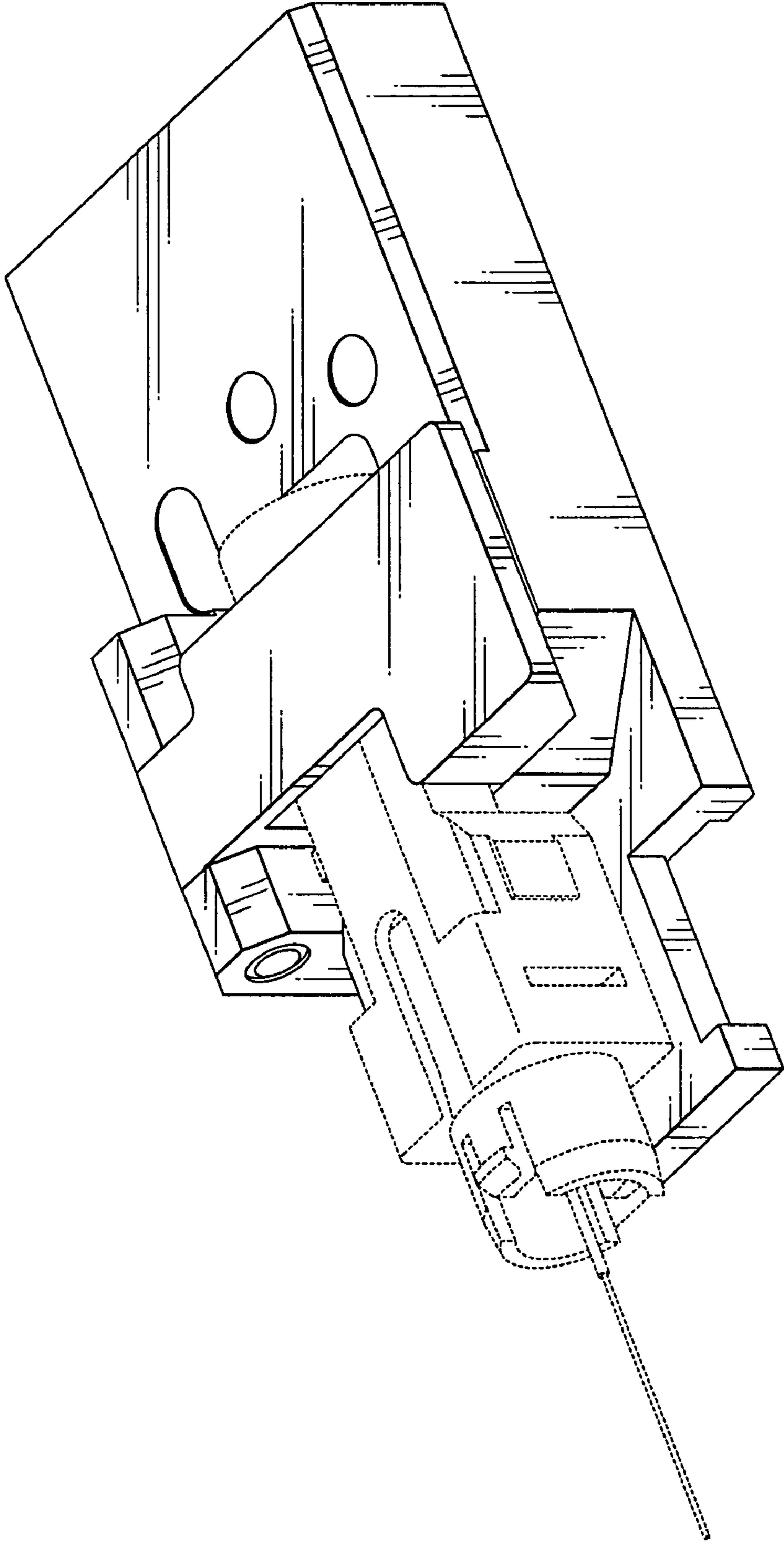


FIG.9

