



US00D582860S

(12) **United States Design Patent**
Sasaki

(10) **Patent No.:** **US D582,860 S**

(45) **Date of Patent:** **** Dec. 16, 2008**

(54) **ELECTRICAL CONNECTOR**

(75) Inventor: **Masamichi Sasaki**, Tokyo (JP)

(73) Assignee: **Japan Aviation Electronics Industry, Limited**, Tokyo (JP)

(**) Term: **14 Years**

(21) Appl. No.: **29/307,614**

(22) Filed: **Apr. 30, 2008**

(30) **Foreign Application Priority Data**

Nov. 28, 2007 (JP) 2007-032548

(51) **LOC (8) Cl.** **13-03**

(52) **U.S. Cl.** **D13/147**

(58) **Field of Classification Search** D13/146-147,
D13/154, 184; 439/62, 260, 329, 395, 607-610
See application file for complete search history.

(56) **References Cited**

U.S. PATENT DOCUMENTS

4,932,888 A * 6/1990 Senor 439/108
D451,884 S * 12/2001 Hisatomi et al. D13/147
D485,532 S * 1/2004 Lai D13/147
6,749,445 B1 * 6/2004 Chen 439/79
D500,741 S * 1/2005 Fan D13/147

D501,829 S * 2/2005 Kimura et al. D13/147
D506,442 S * 6/2005 Obikane et al. D13/147
D506,443 S * 6/2005 Moritake D13/147
D517,490 S * 3/2006 Kawase et al. D13/147
D518,445 S * 4/2006 Fan D13/147

* cited by examiner

Primary Examiner—Daniel D Bui

(74) *Attorney, Agent, or Firm*—Collard & Roe, P.C.

(57) **CLAIM**

The ornamental design for an electrical connector, as shown and described.

DESCRIPTION

FIG. 1 is a front, right, and top-side perspective view of an electrical connector showing my new design;

FIG. 2 is a rear, left, and bottom-side perspective view thereof;

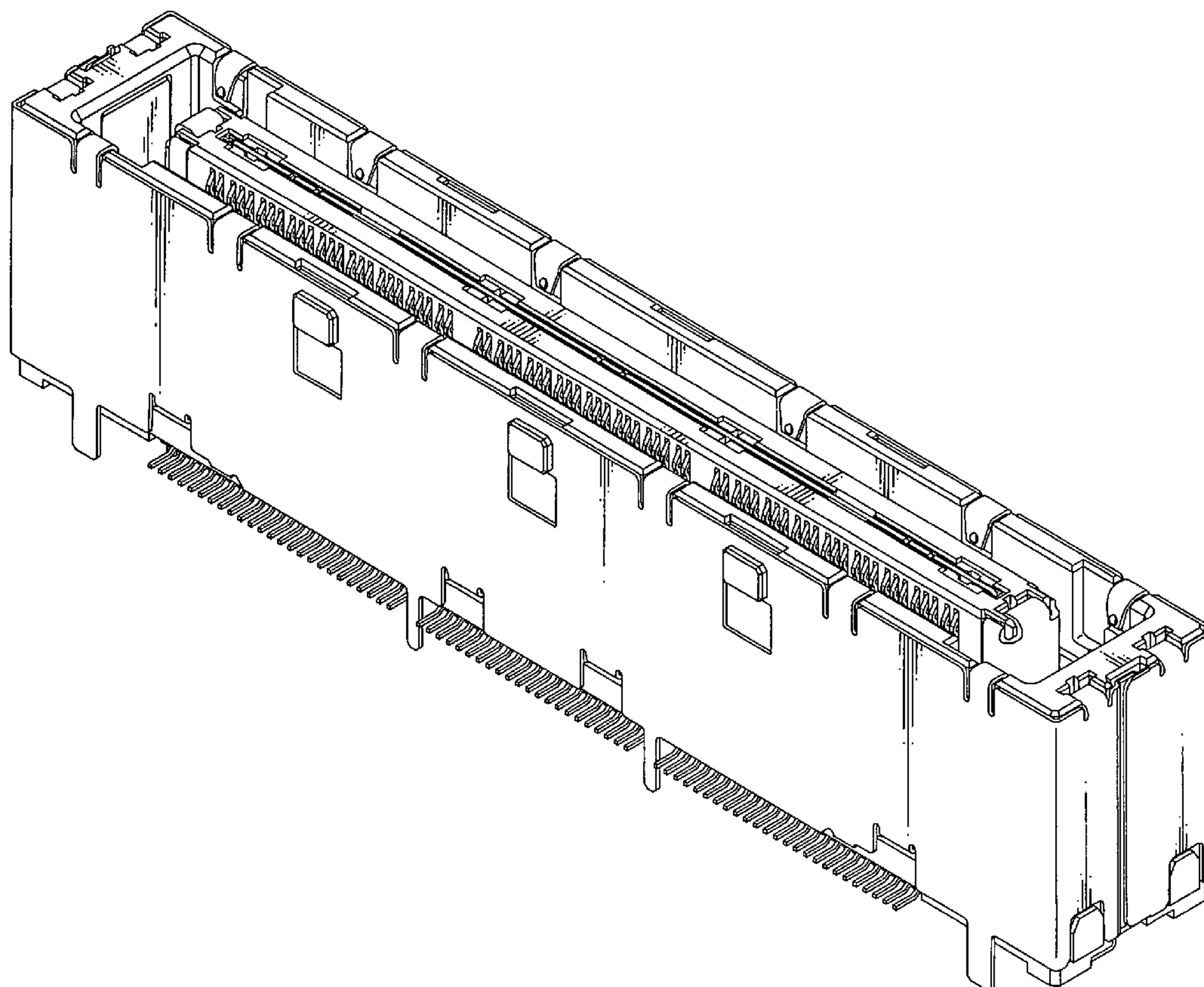
FIG. 3 is a front elevational view thereof, the rear elevation view thereof is a mirror image thereto;

FIG. 4 is a top plan view thereof;

FIG. 5 is a bottom plan view thereof; and,

FIG. 6 is a right side elevational view thereof, the left side elevation view thereof is a mirror image thereto.

1 Claim, 5 Drawing Sheets



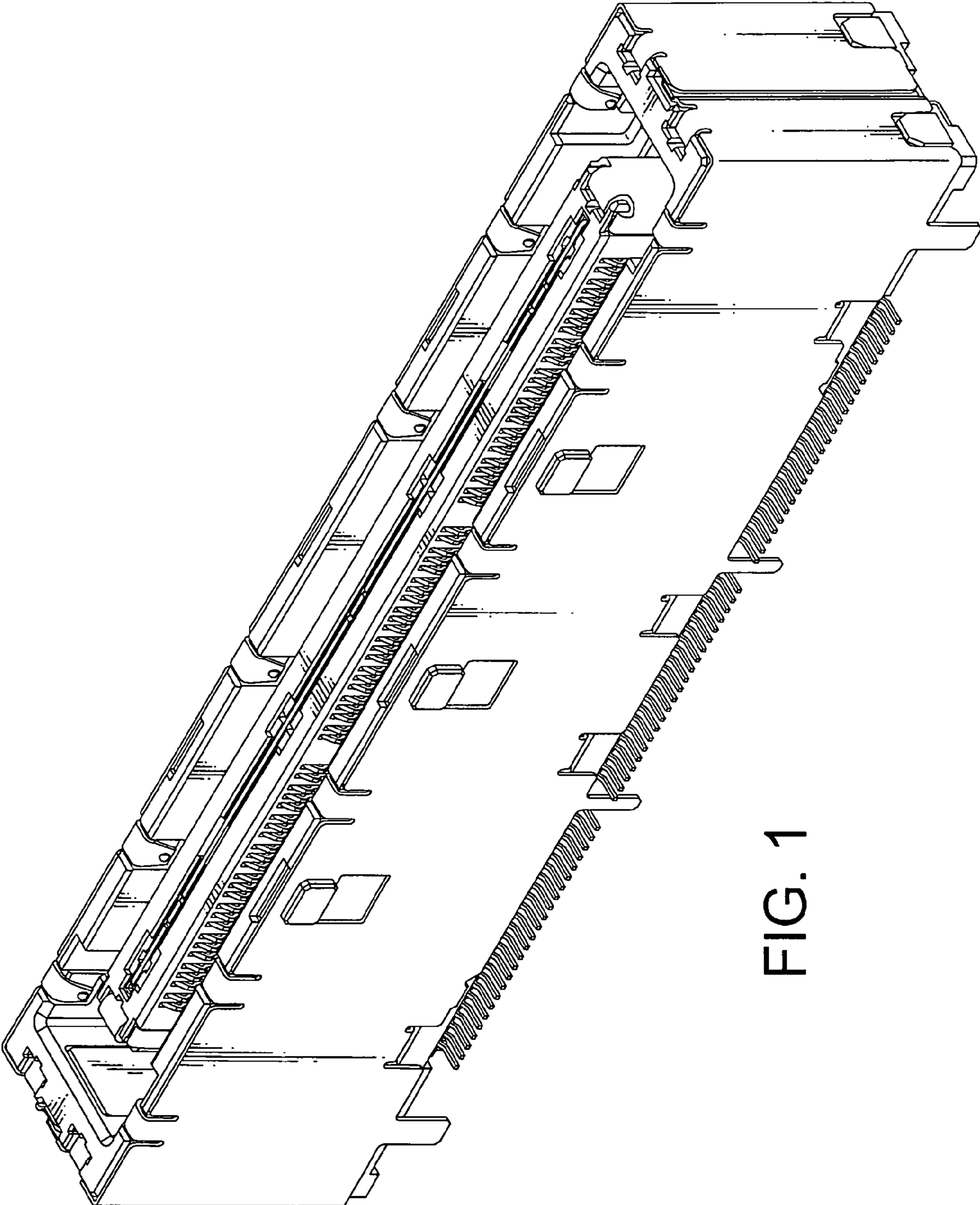


FIG. 1

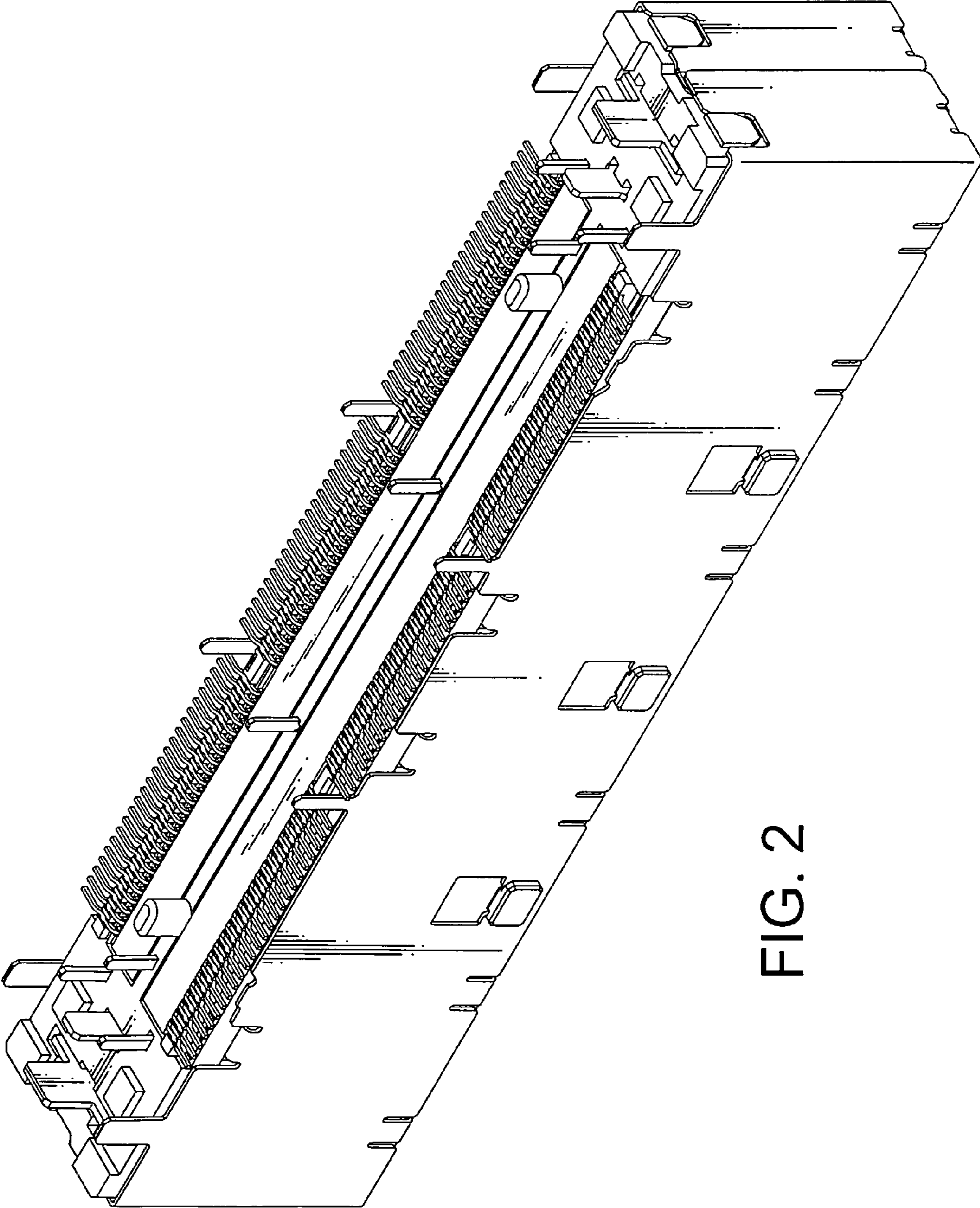


FIG. 2

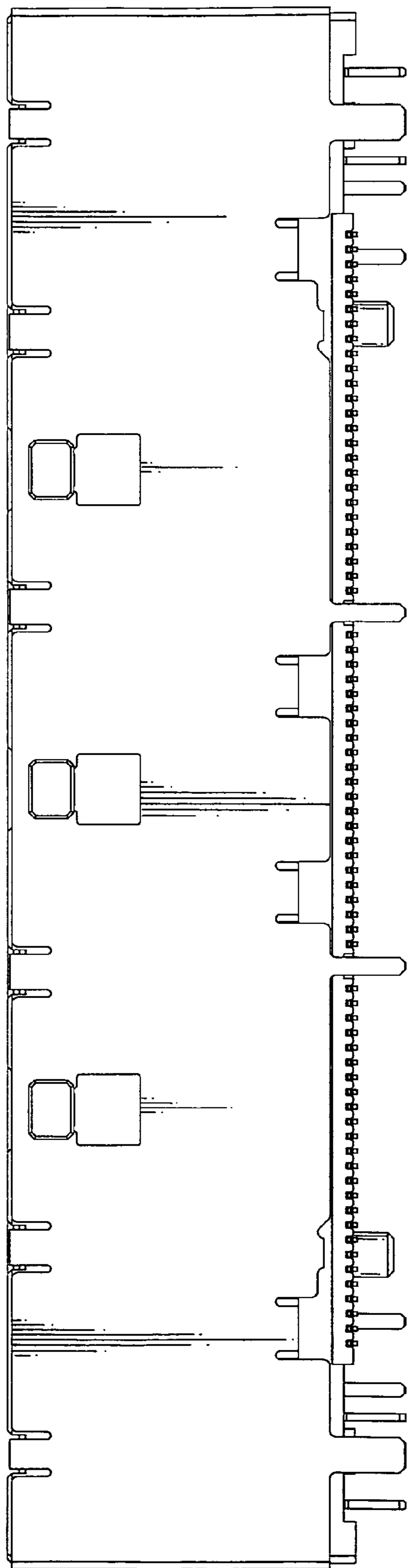


FIG. 3

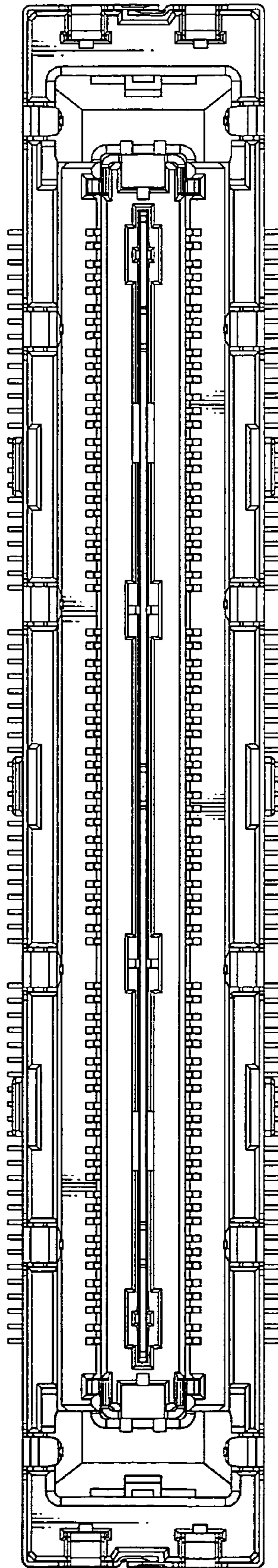


FIG. 4

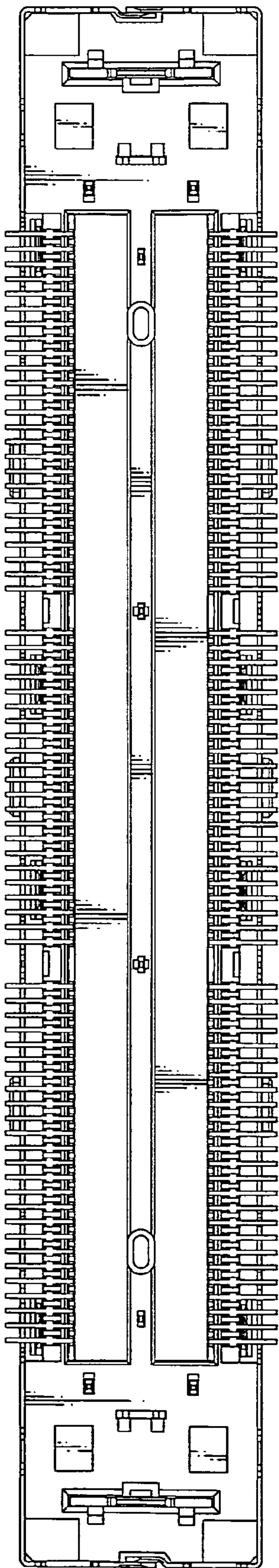


FIG. 5

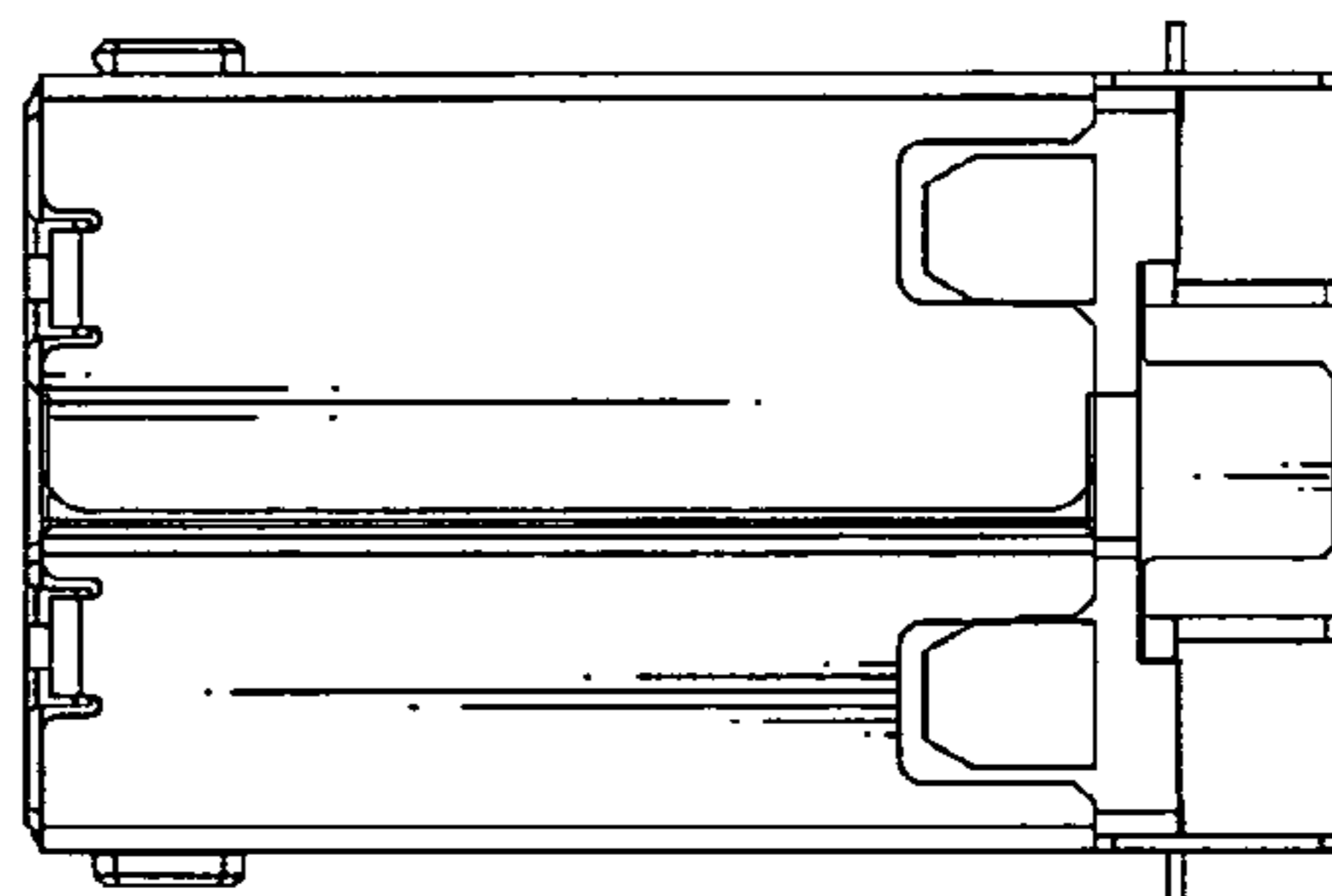


FIG. 6