



US00D582859S

(12) **United States Design Patent**
Sasaki

(10) **Patent No.:** **US D582,859 S**
(45) **Date of Patent:** **** Dec. 16, 2008**

(54) **ELECTRICAL CONNECTOR**

(75) Inventor: **Masamichi Sasaki**, Tokyo (JP)

(73) Assignee: **Japan Aviation Electronics Industry, Limited**, Tokyo (JP)

(**) Term: **14 Years**

(21) Appl. No.: **29/307,336**

(22) Filed: **Apr. 15, 2008**

(30) **Foreign Application Priority Data**

Nov. 28, 2007 (JP) 2007-032547

(51) **LOC (8) Cl.** **13-03**

(52) **U.S. Cl.** **D13/147**

(58) **Field of Classification Search** D13/146-147,
D13/154, 184; 439/62, 260, 329, 395, 607-610
See application file for complete search history.

(56) **References Cited**

U.S. PATENT DOCUMENTS

6,390,833	B1 *	5/2002	Chang	439/108
6,672,887	B1 *	1/2004	Yu	439/108
D500,741	S *	1/2005	Fan	D13/147
D505,919	S *	6/2005	Moritake	D13/147
D506,443	S *	6/2005	Moritake	D13/147
D508,023	S *	8/2005	Obikane et al.	D13/147
D513,494	S *	1/2006	Huang	D13/147

D517,495	S *	3/2006	Fan	D13/147
7,033,224	B2 *	4/2006	Wu et al.	439/660
2005/0277334	A1 *	12/2005	Huang	439/607

* cited by examiner

Primary Examiner—Daniel D Bui

(74) *Attorney, Agent, or Firm*—Collard & Roe, P.C.

(57) **CLAIM**

The ornamental design for an electrical connector, as shown and described.

DESCRIPTION

FIG. 1 is a front, right, and top-side perspective view of an electrical connector showing my new design;

FIG. 2 is a rear, right, and bottom-side perspective view thereof;

FIG. 3 is a front elevational view thereof;

FIG. 4 is a top plan view thereof;

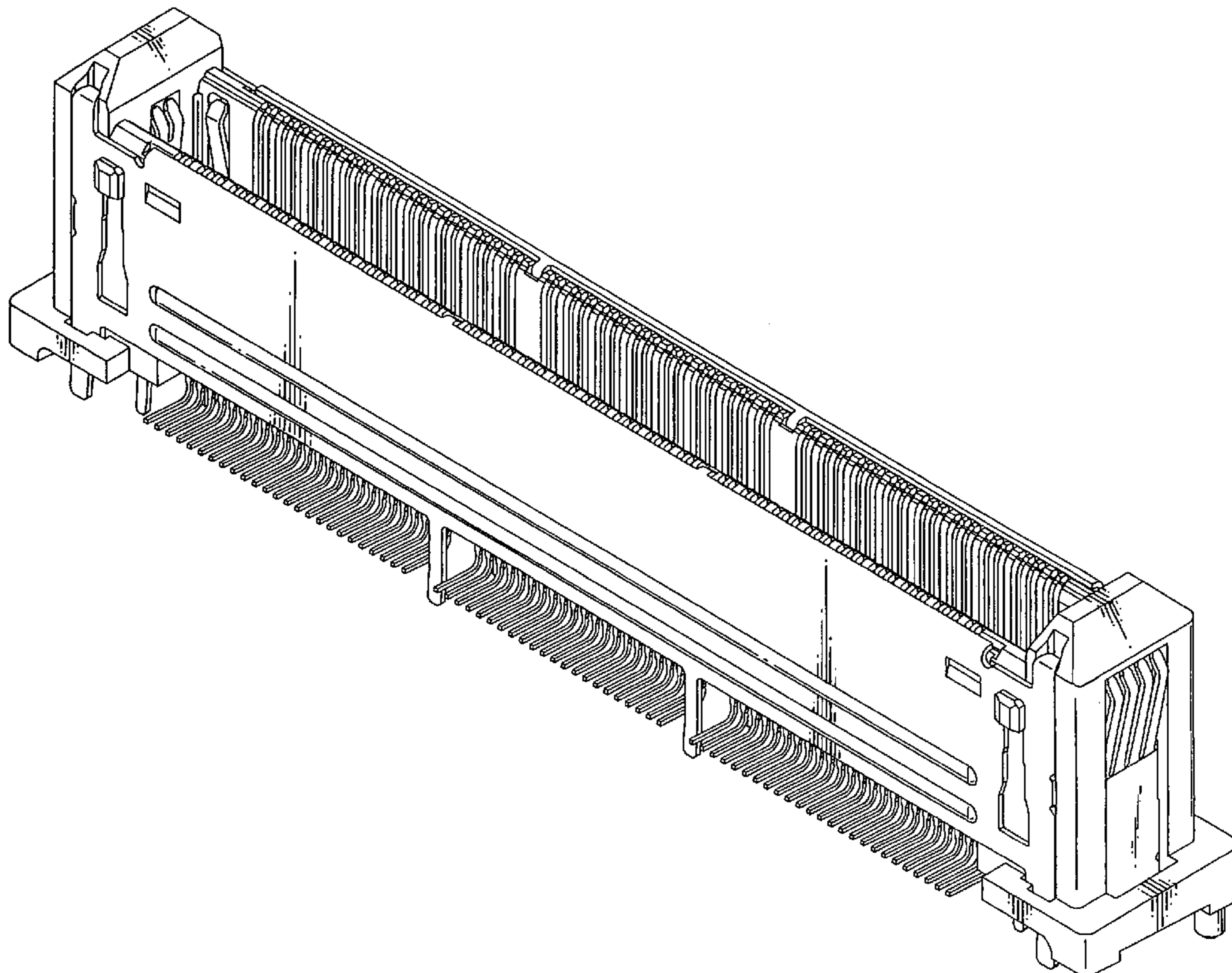
FIG. 5 is a rear elevational view thereof;

FIG. 6 is a bottom plan view thereof; and,

FIG. 7 is a right side elevational view thereof, the left side elevational view thereof is a mirror image thereto.

A left side elevational view of the electrical connector is omitted because it is presented symmetrical to the right side view of FIG. 7.

1 Claim, 7 Drawing Sheets



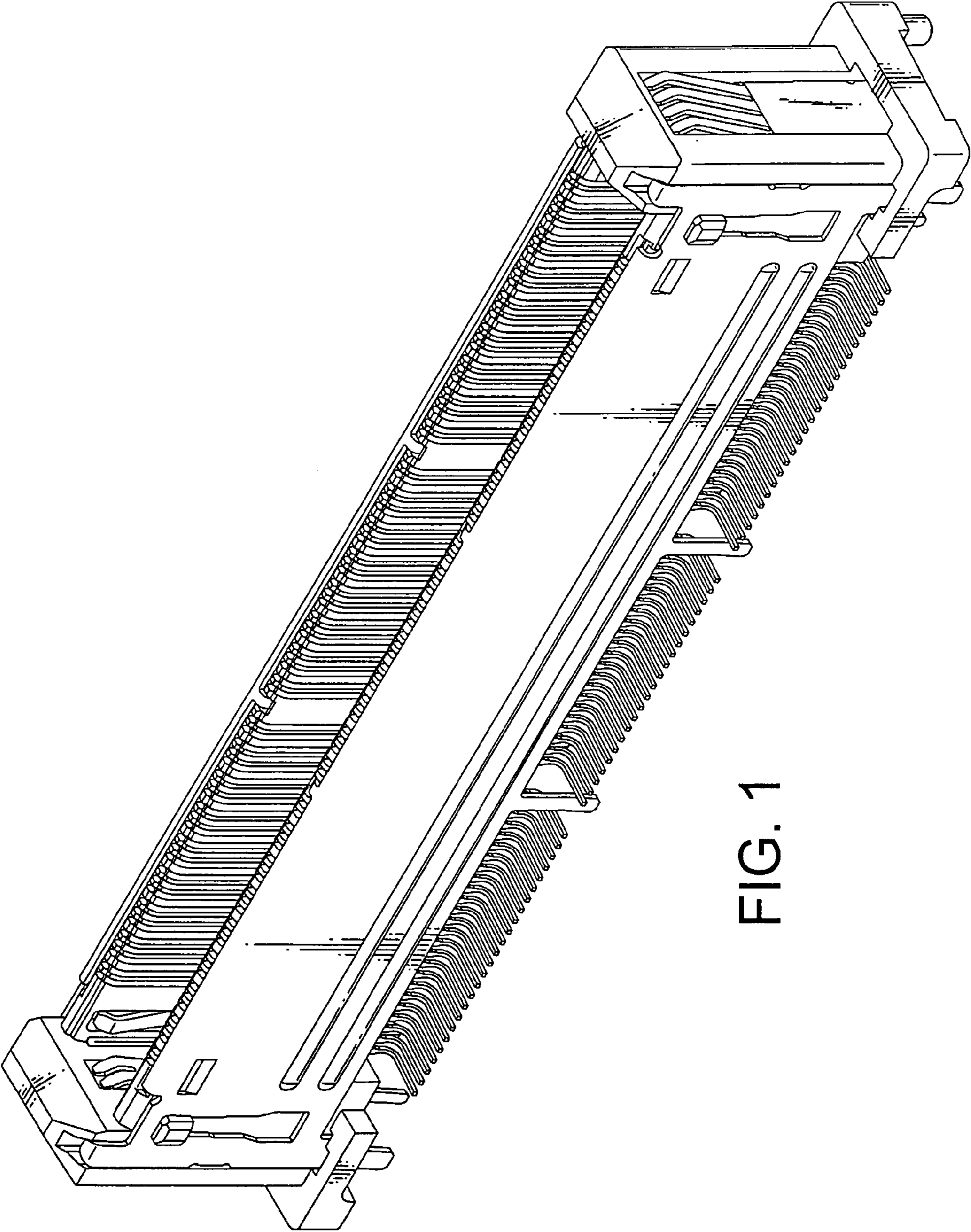


FIG. 1

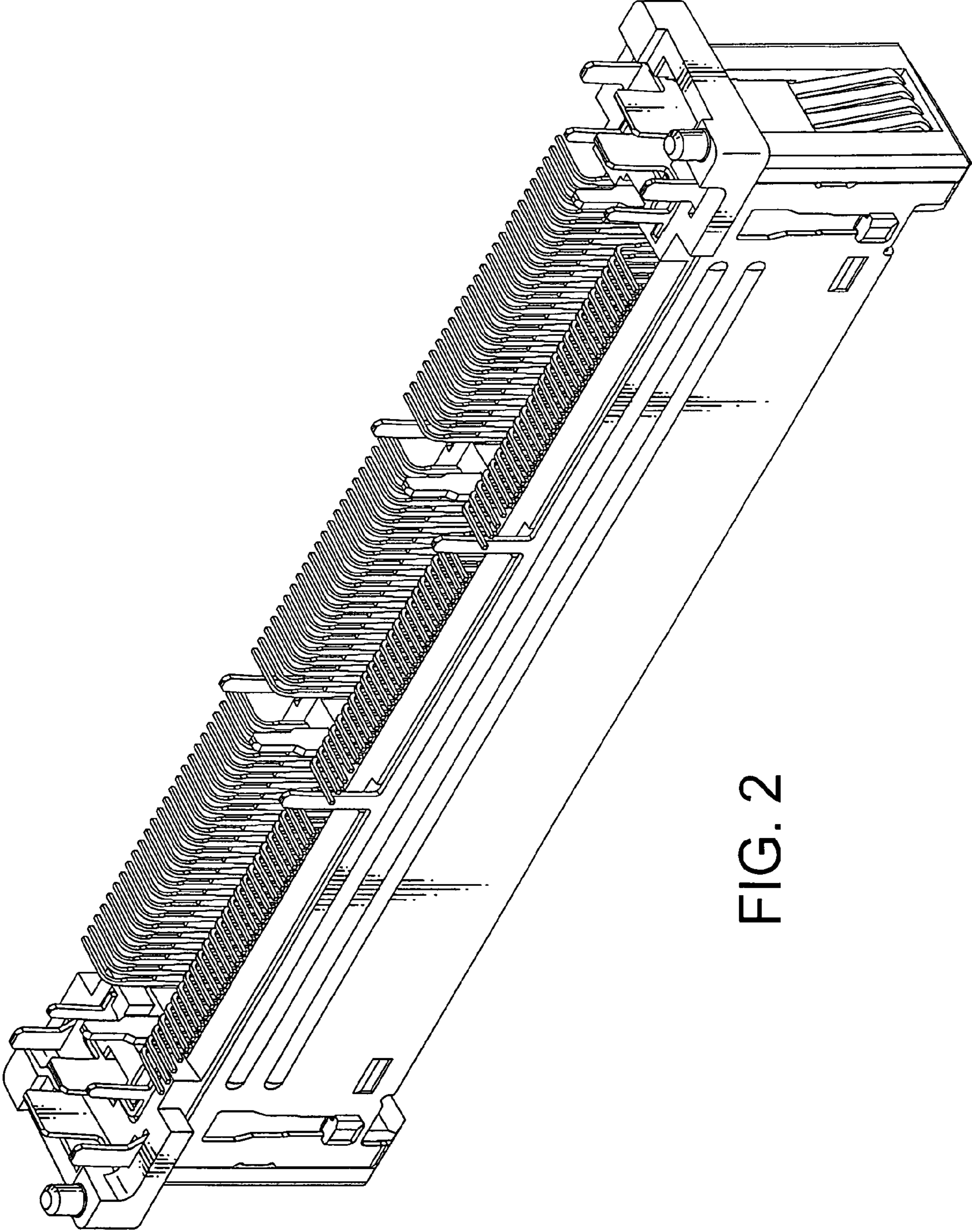


FIG. 2

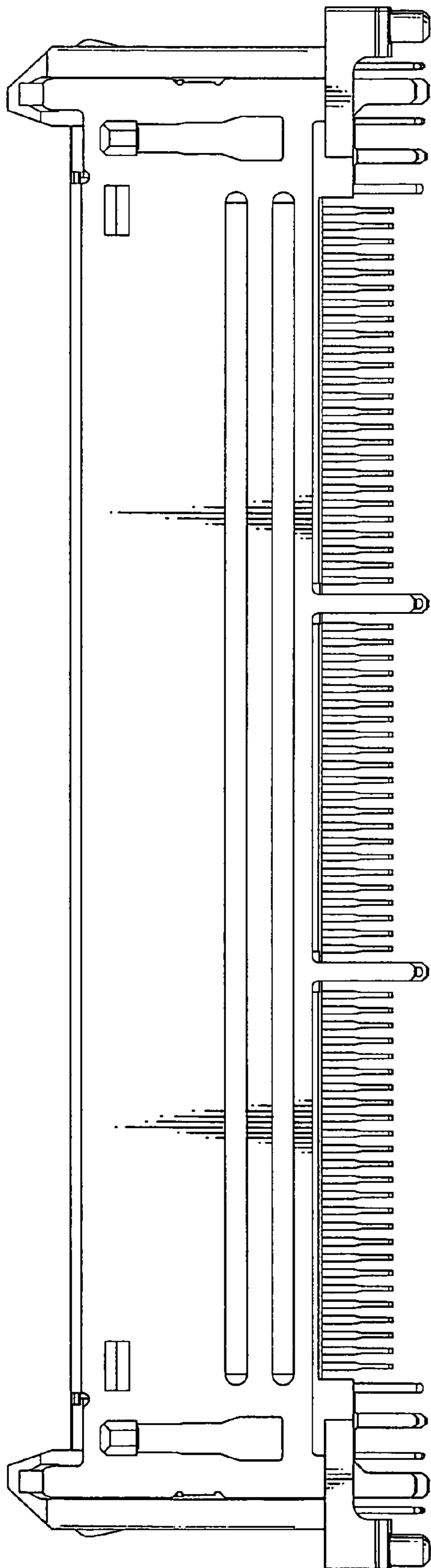


FIG. 3

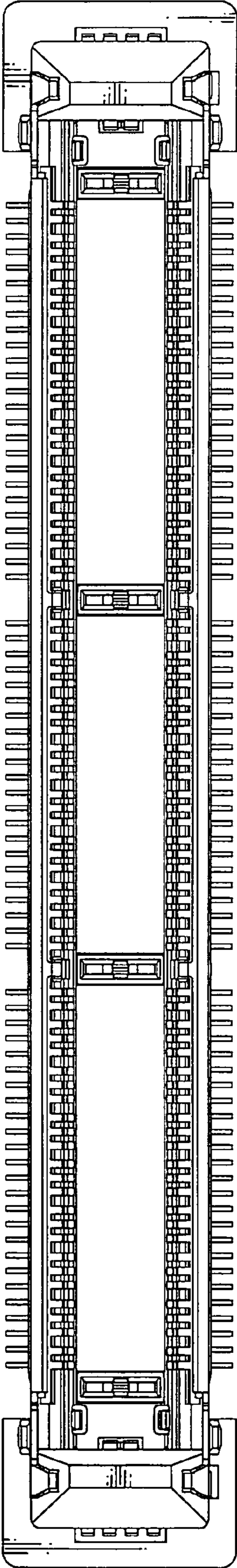


FIG. 4

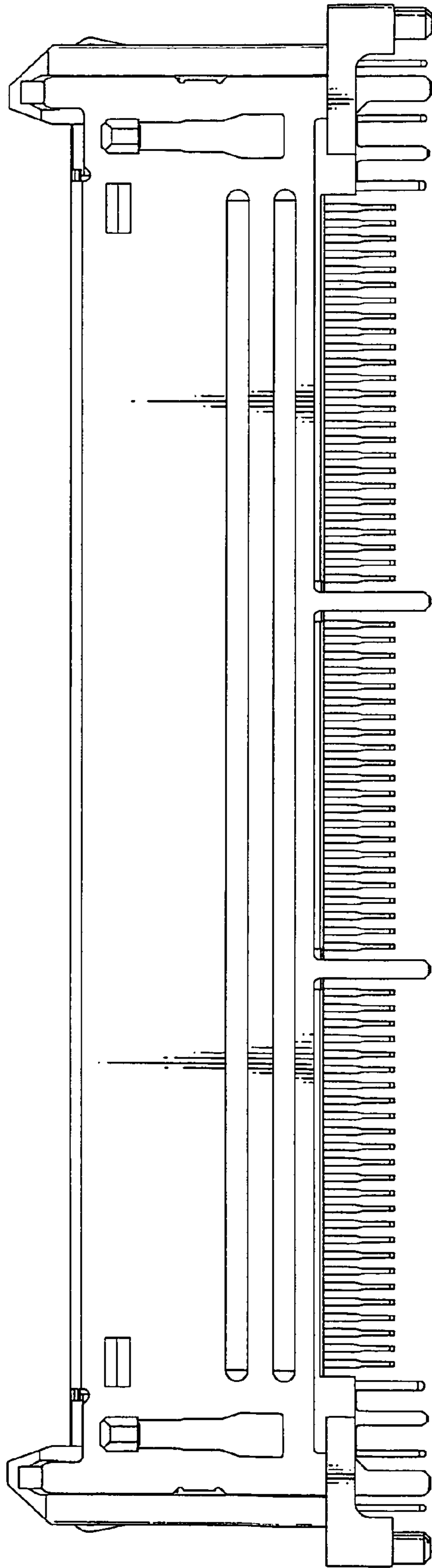


FIG. 5

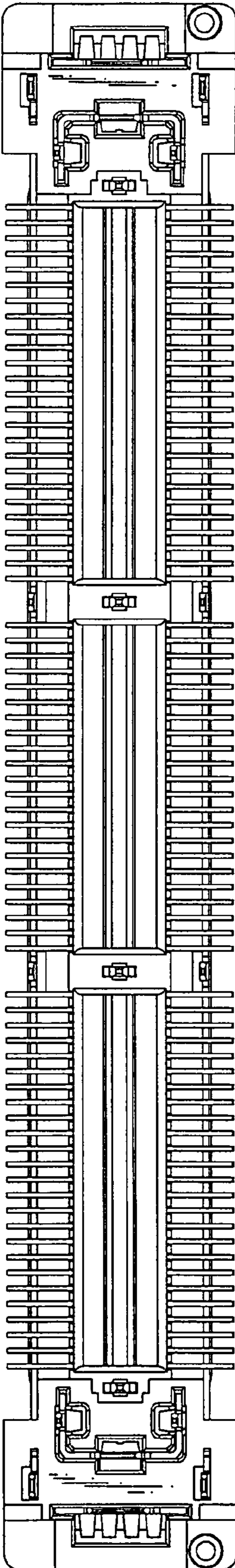


FIG. 6

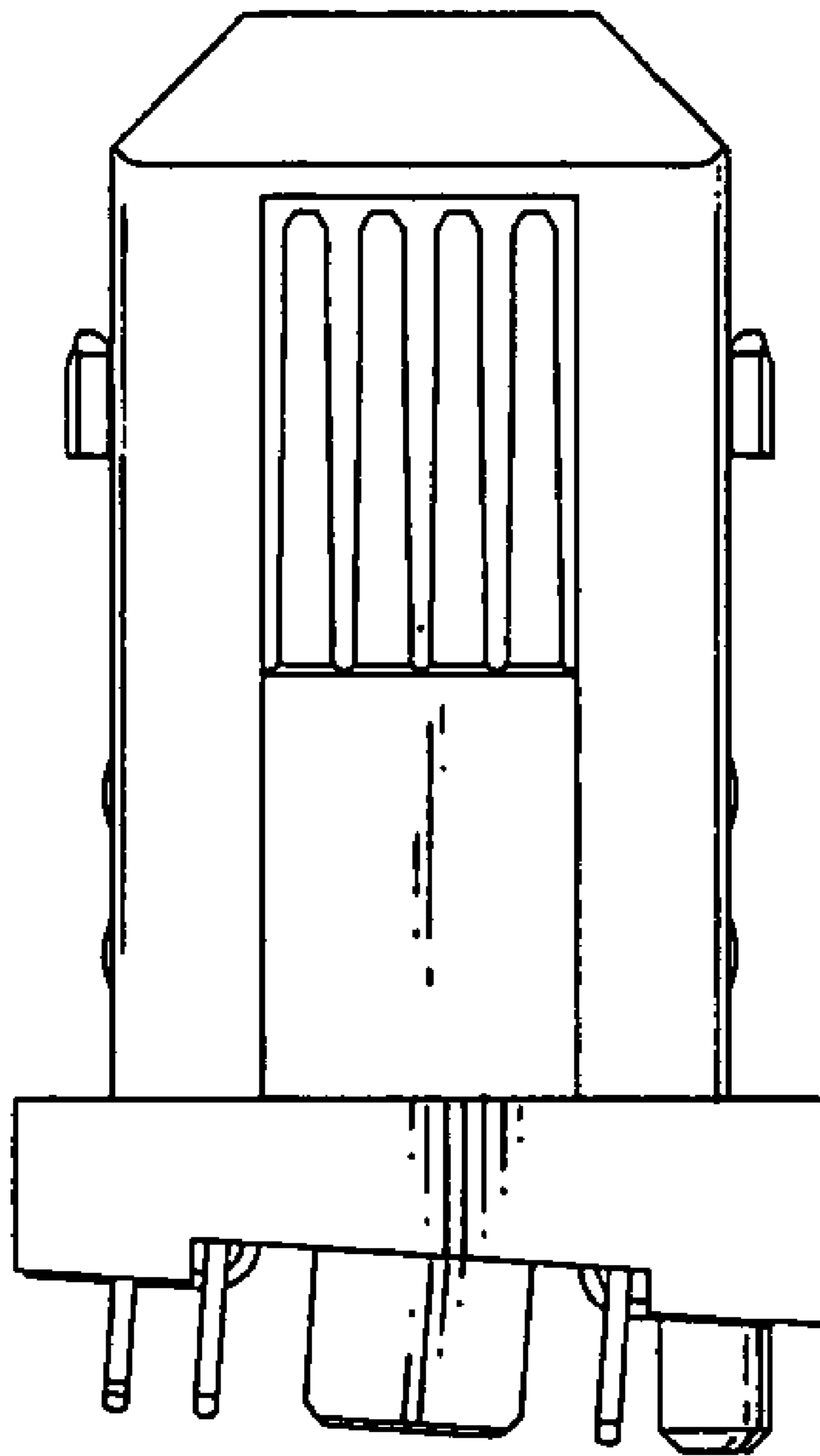


FIG. 7