



US00D582858S

(12) **United States Design Patent**
Hoshino et al.

(10) **Patent No.:** **US D582,858 S**

(45) **Date of Patent:** **** Dec. 16, 2008**

(54) **SOCKET**

(75) Inventors: **Hirokazu Hoshino**, Kyoto (JP);
Naoyuki Kimura, Kyoto (JP); **Yusuke Shimura**, Kyoto (JP)

(73) Assignee: **Omron Corporation**, Kyoto (JP)

(**) Term: **14 Years**

(21) Appl. No.: **29/298,103**

(22) Filed: **Nov. 29, 2007**

(30) **Foreign Application Priority Data**

May 31, 2007 (JP) D2007-014493

(51) **LOC (8) Cl.** **13-03**

(52) **U.S. Cl.** **D13/147**

(58) **Field of Classification Search** D13/146-147,
D13/154, 184; D14/432, 433, 436, 438;
439/64, 79, 108, 159-160, 260, 325, 326,
439/394-395, 607-610, 629-630, 946

See application file for complete search history.

(56) **References Cited**

U.S. PATENT DOCUMENTS

D453,734 S * 2/2002 Shimoyama et al. D13/147
D455,125 S * 4/2002 Shimoyama et al. D13/147
D501,448 S * 2/2005 Ishikawa D13/147
D539,225 S * 3/2007 Kishi et al. D13/147
D539,227 S * 3/2007 Yamada et al. D13/147

D544,447 S * 6/2007 Peng et al. D13/147
D561,697 S * 2/2008 Chen et al. D13/147
D562,773 S * 2/2008 Peng D13/147
D570,289 S * 6/2008 Obikane D13/147

FOREIGN PATENT DOCUMENTS

KR 30-0414701 5/2006

* cited by examiner

Primary Examiner—Daniel D Bui

(74) *Attorney, Agent, or Firm*—Harness, Dickey & Pierce

(57) **CLAIM**

The ornamental design for a socket, as shown and described.

DESCRIPTION

FIG. 1 is a top, front and right side perspective view of a socket showing our new design;

FIG. 2 is a bottom, front and right side perspective view thereof;

FIG. 3 is a front elevational view thereof;

FIG. 4 is a rear elevational view thereof;

FIG. 5 is a left side elevational view thereof;

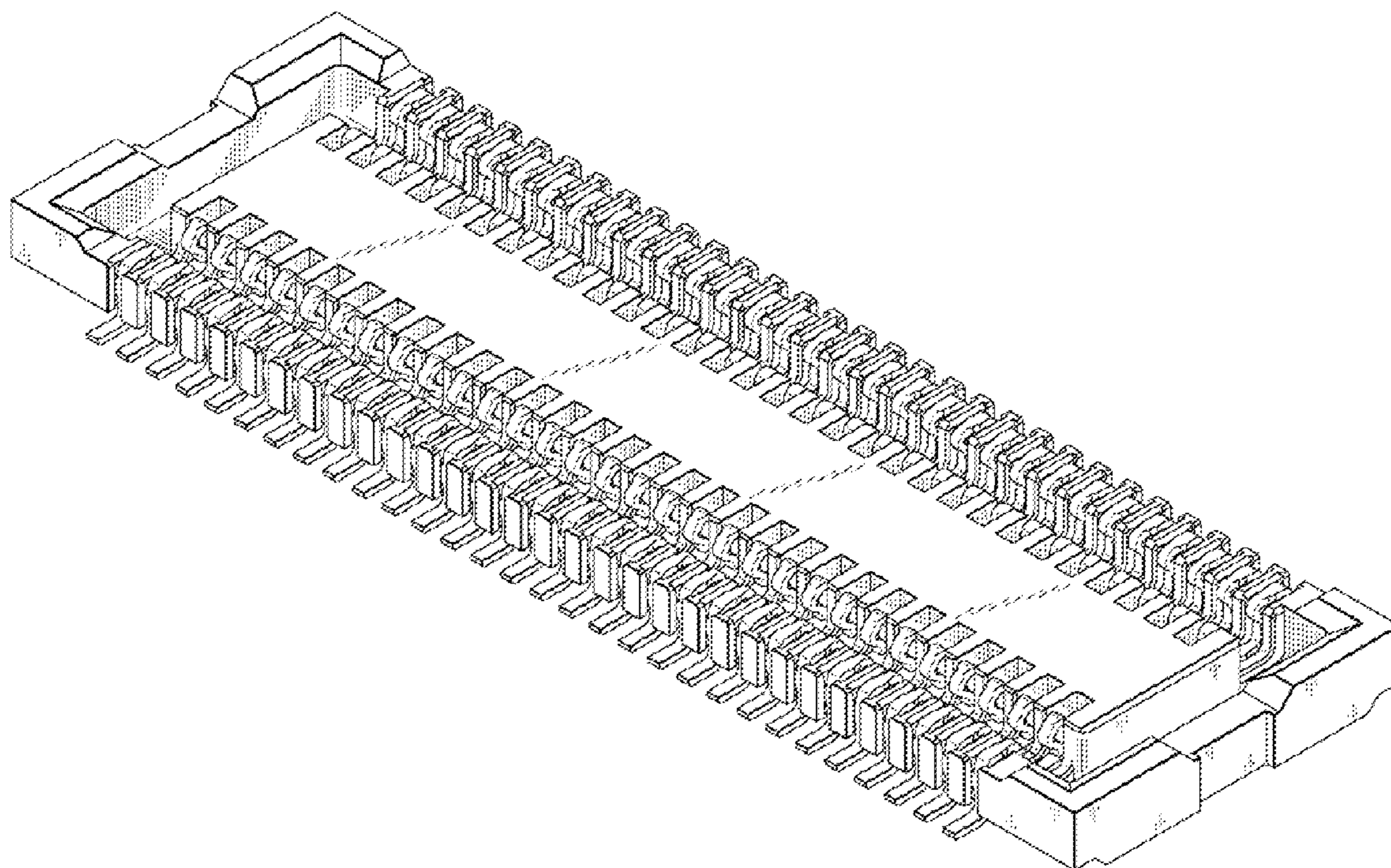
FIG. 6 is a right side elevational view thereof;

FIG. 7 is a top plan view thereof;

FIG. 8 is a bottom plan view thereof; and,

FIG. 9 is a cross-sectional view taken along the line IX—IX of FIG. 3.

1 Claim, 6 Drawing Sheets



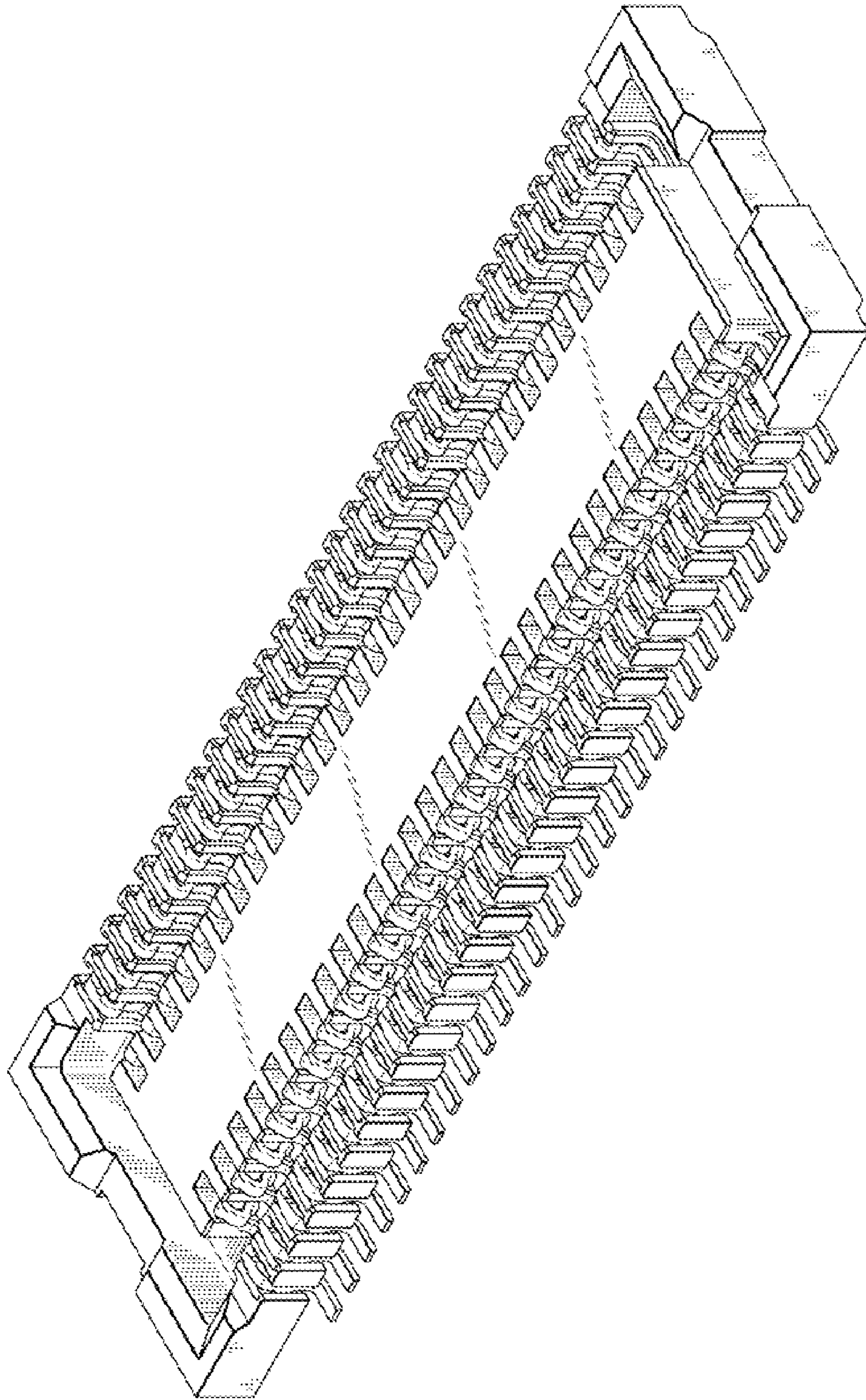


Fig. 1

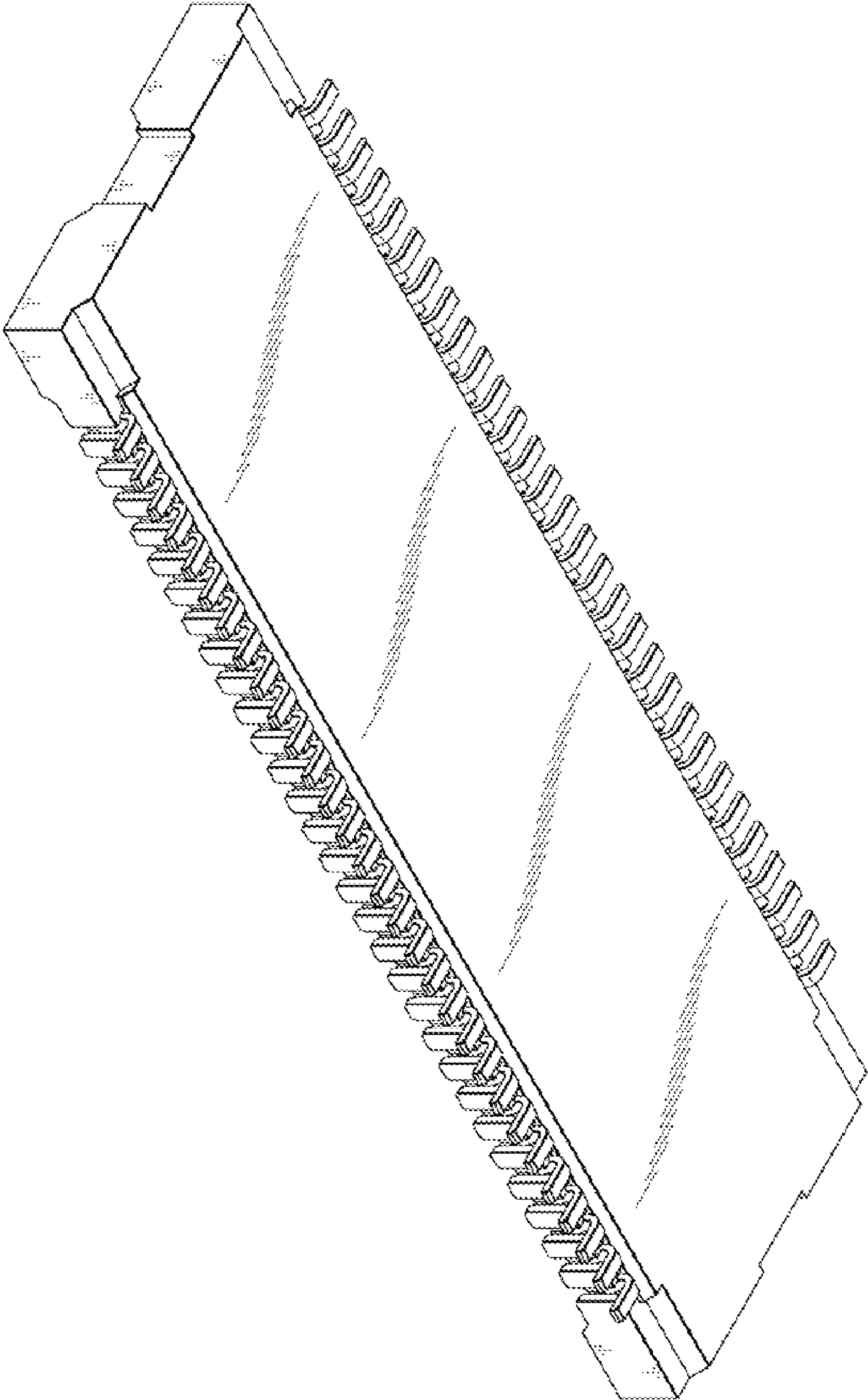


Fig. 2

Fig. 3

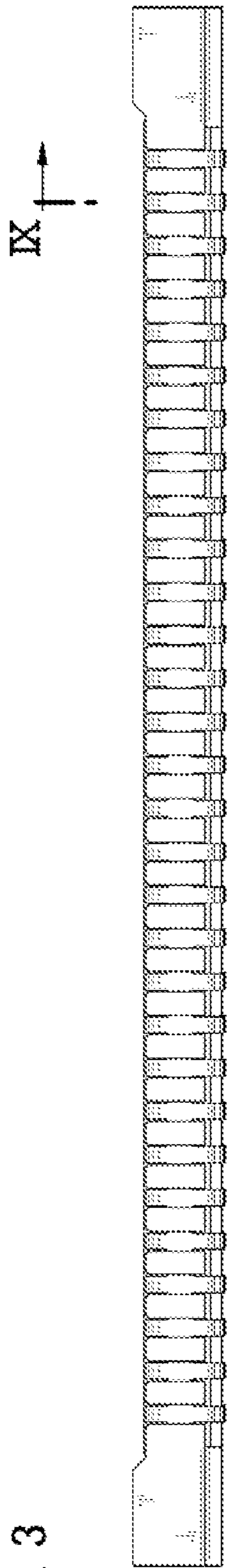


Fig. 4

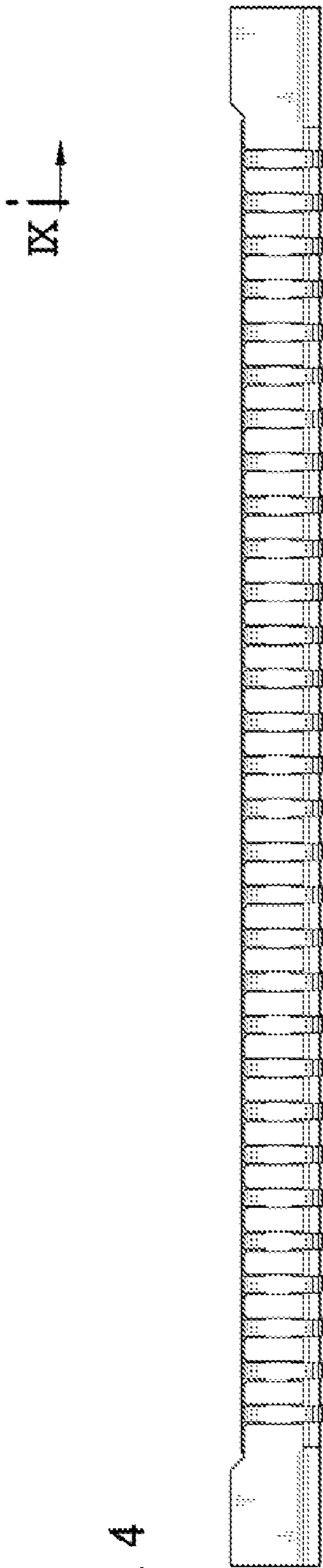


Fig. 5

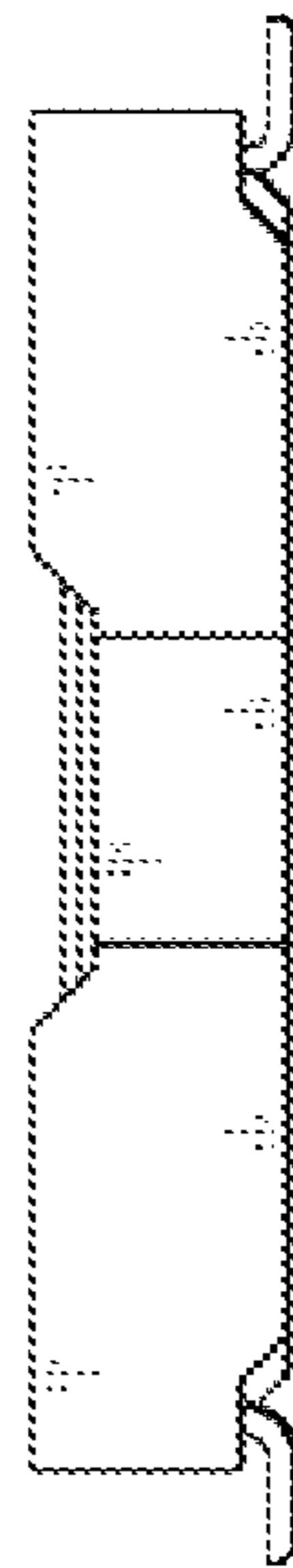
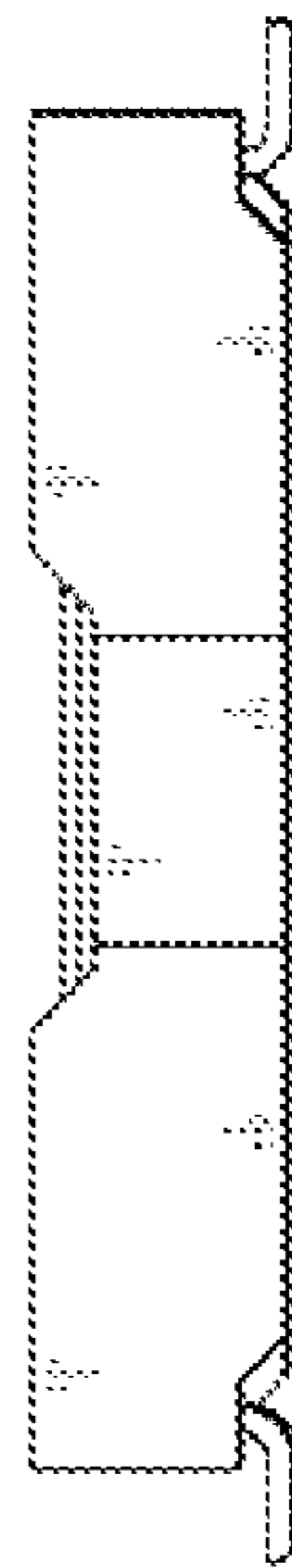


Fig. 6



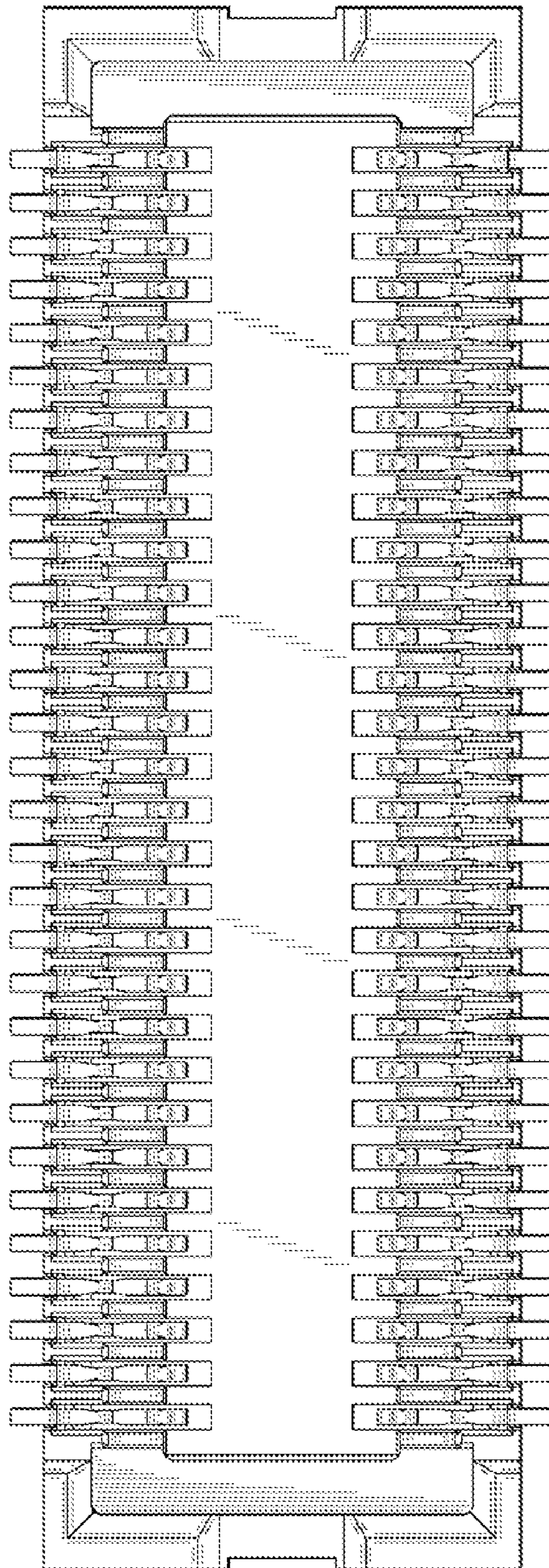


Fig. 7

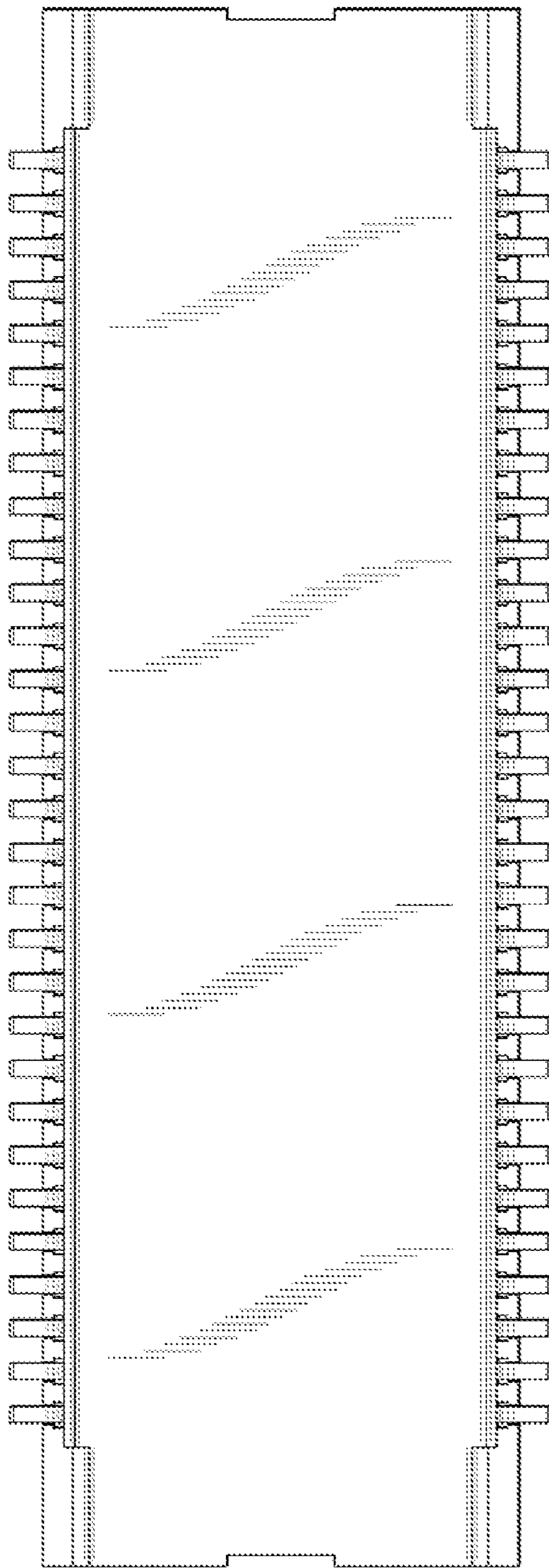


Fig. 8

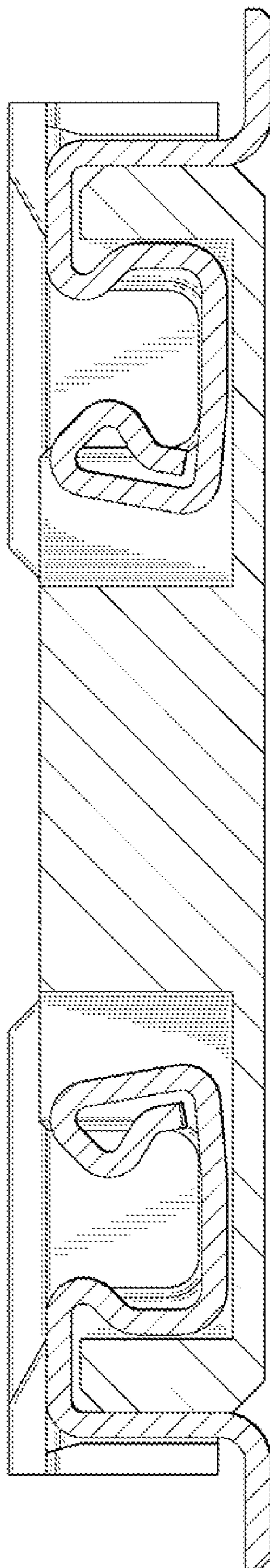


Fig. 9