



US00D582857S

(12) **United States Design Patent**
Nakamura

(10) **Patent No.:** **US D582,857 S**
(45) **Date of Patent:** **** Dec. 16, 2008**

(54) **ELECTRICAL CONNECTOR**

(75) Inventor: **Keisuke Nakamura**, Tokyo (JP)

(73) Assignee: **Japan Aviation Electronics Industry, Limited**, Tokyo (JP)

(**) Term: **14 Years**

(21) Appl. No.: **29/294,264**

(22) Filed: **Dec. 31, 2007**

(30) **Foreign Application Priority Data**

Jul. 25, 2007 (JP) 2007-020077

(51) **LOC (8) Cl.** **13-03**

(52) **U.S. Cl.** **D13/147**

(58) **Field of Classification Search** D13/146-147,
D13/154, 184; 439/79, 159-160, 260, 325,
439/395, 607-610, 630

See application file for complete search history.

(56) **References Cited**

U.S. PATENT DOCUMENTS

D434,731 S * 12/2000 Wu D13/147
D497,344 S * 10/2004 Huang D13/147
D517,492 S * 3/2006 Nakamura et al. D13/147
D517,995 S * 3/2006 Nakamura et al. D13/147
D524,752 S * 7/2006 Nakamura et al. D13/147

D537,042 S * 2/2007 Sasaki D13/147
D540,262 S * 4/2007 Yoneyama et al. D13/147
2005/0118849 A1 * 6/2005 Okita et al. 439/260

* cited by examiner

Primary Examiner—Daniel D Bui

(74) *Attorney, Agent, or Firm*—Collard & Roe, P.C.

(57) **CLAIM**

The ornamental design for an electrical connector, as shown and described.

DESCRIPTION

FIG. 1 is a front, right, and top-side perspective view of an electrical connector showing my new design;

FIG. 2 is a rear, left, and bottom-side perspective view thereof;

FIG. 3 is a front elevational view thereof;

FIG. 4 is a top plan view thereof;

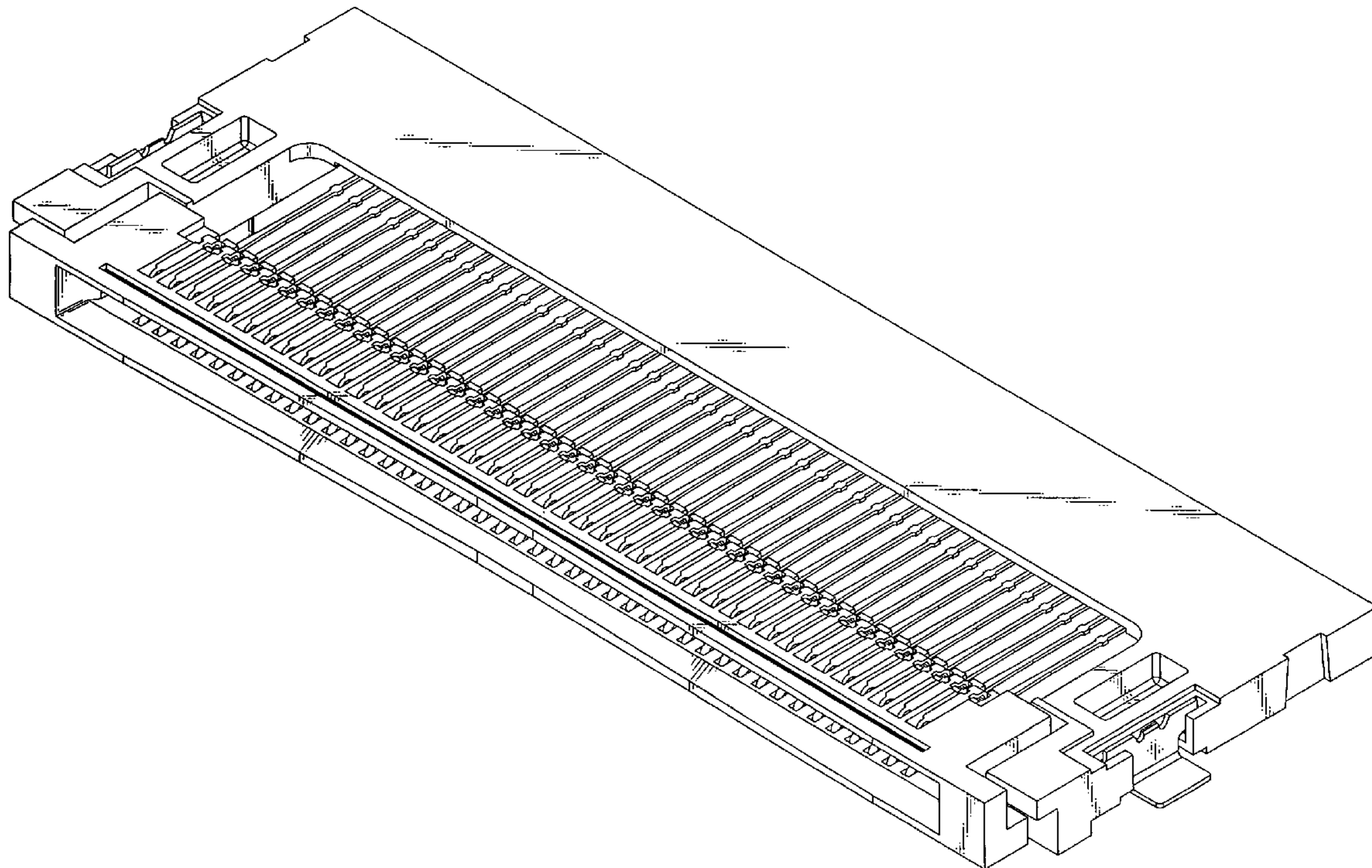
FIG. 5 is a rear elevational view thereof;

FIG. 6 is a bottom plan view thereof;

FIG. 7 is a left side elevational view thereof, the right side elevational view thereof is a mirror image thereto; and,

FIG. 8 is a cross sectional view thereof taken along line 8—8 in FIG. 3.

1 Claim, 7 Drawing Sheets



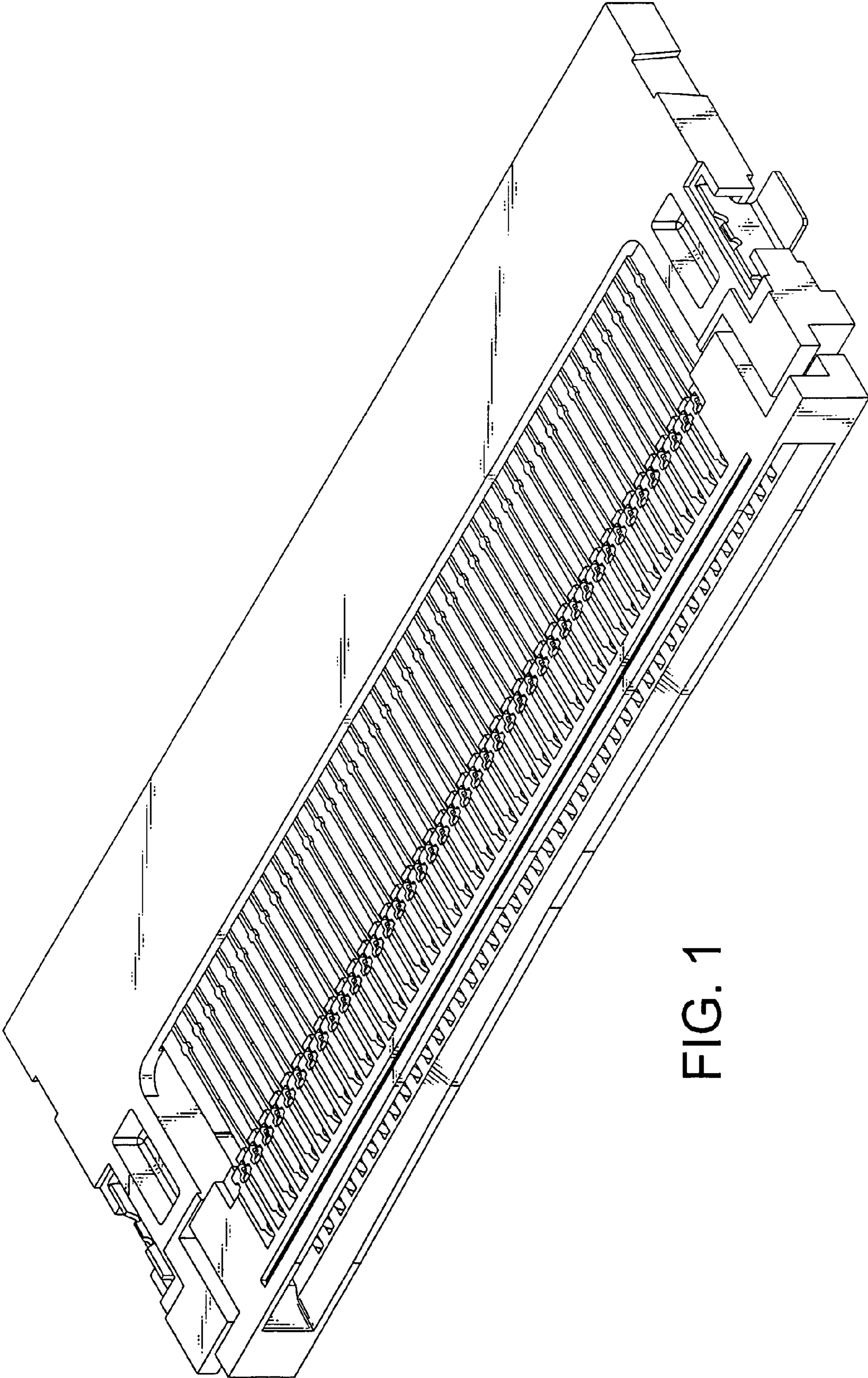


FIG. 1

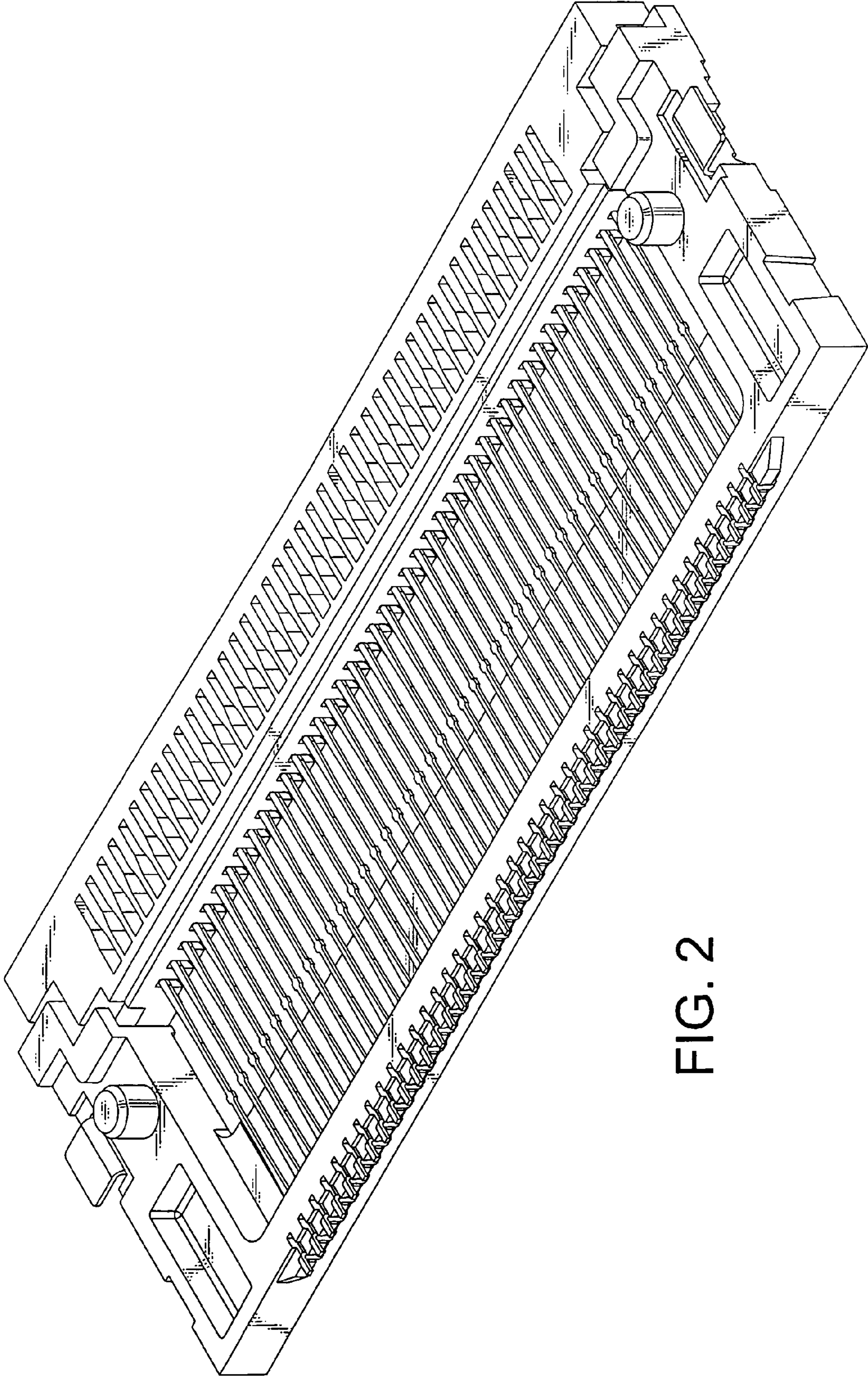


FIG. 2

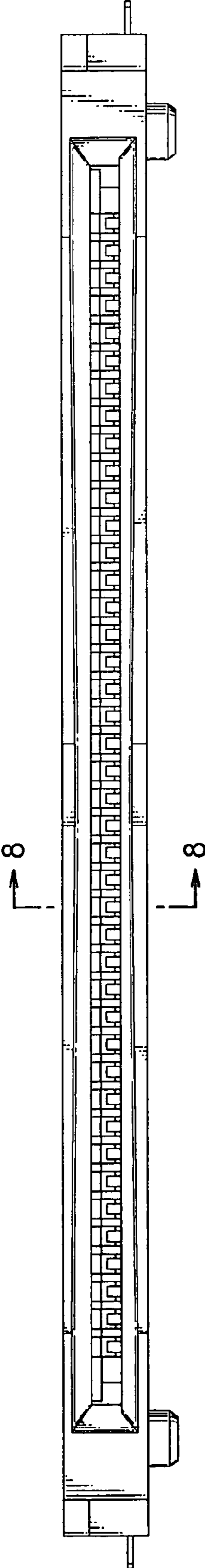


FIG. 3

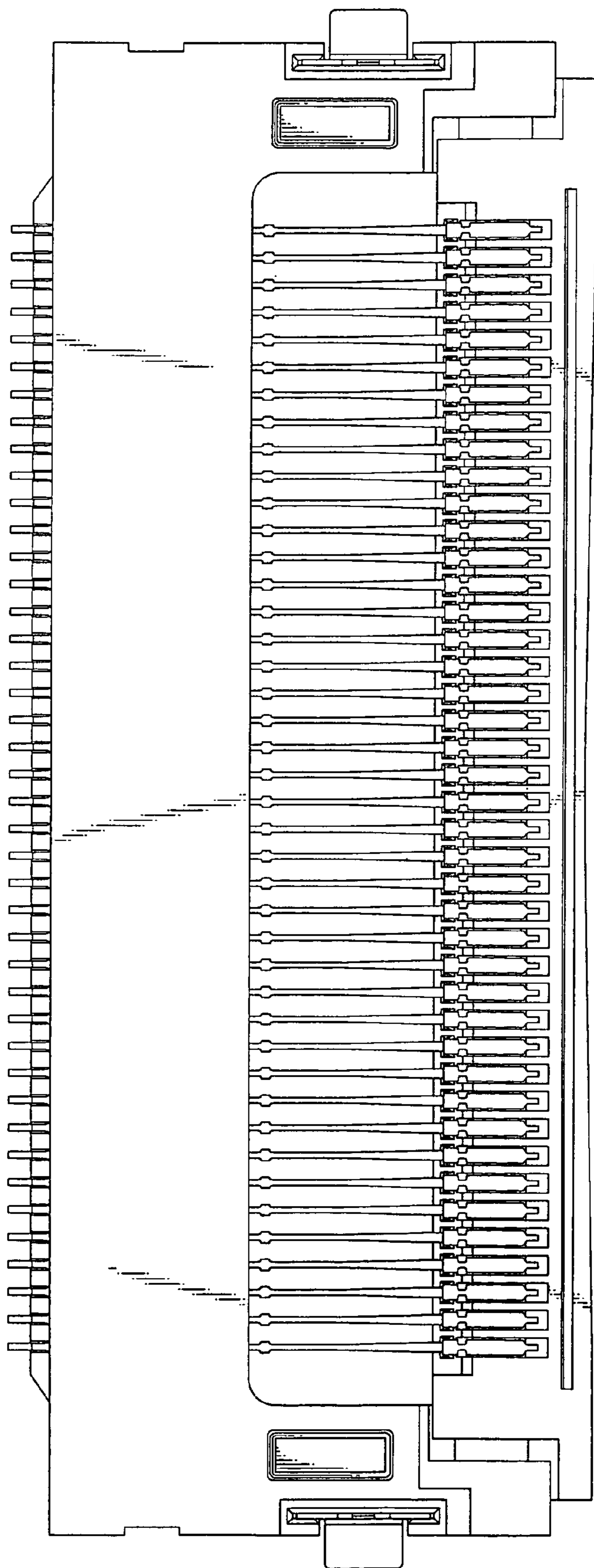


FIG. 4

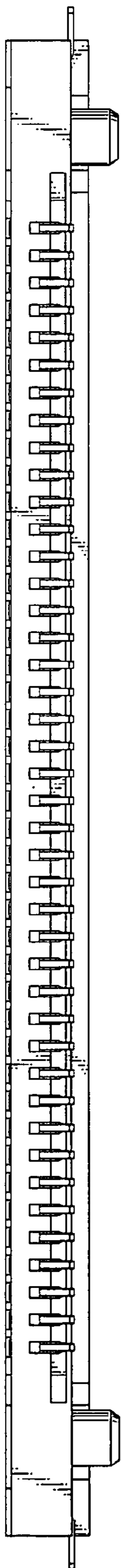


FIG. 5

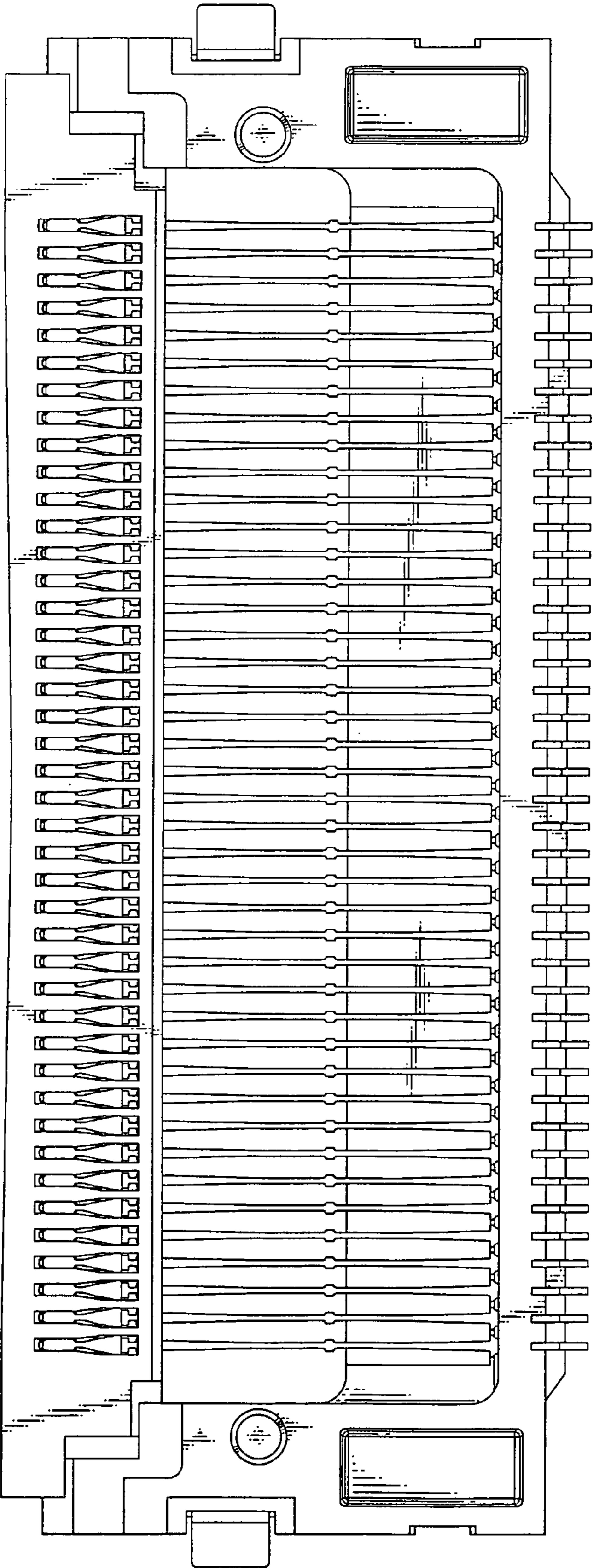


FIG. 6

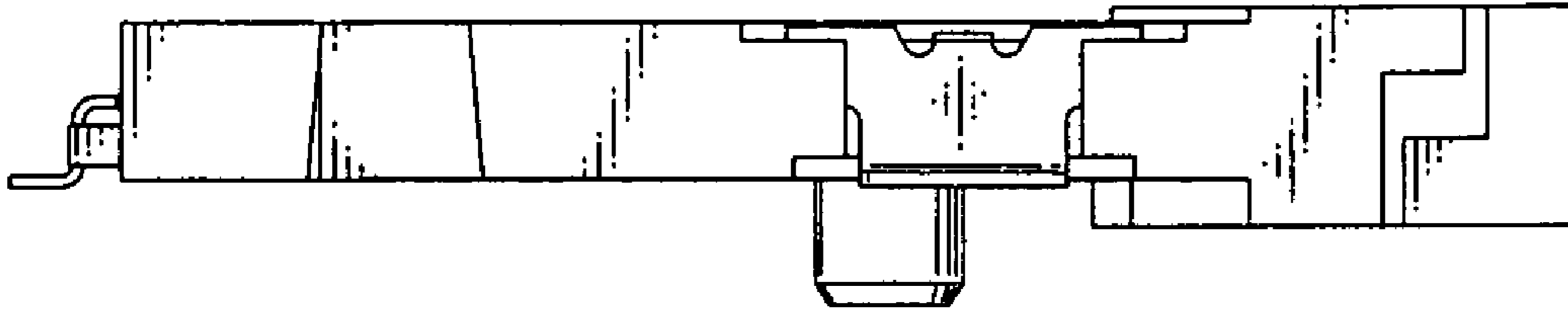


FIG. 7

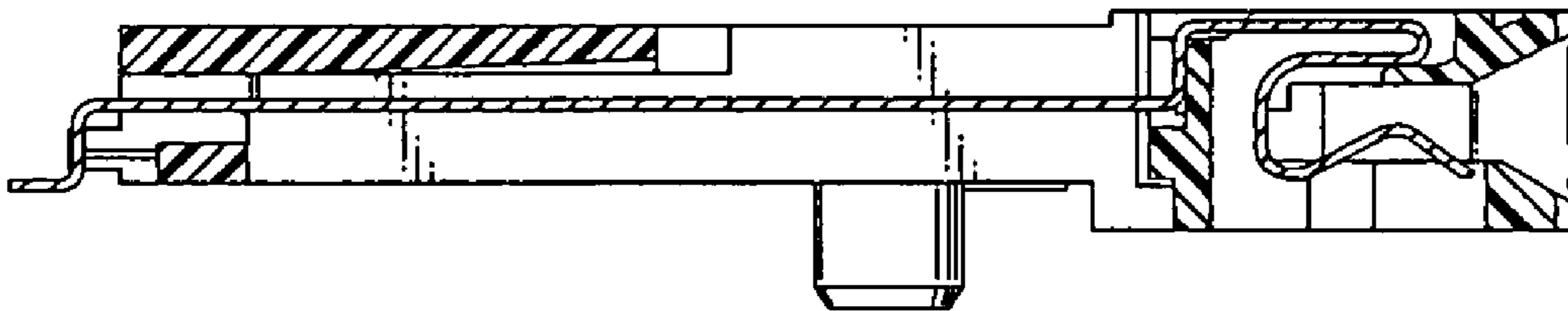


FIG. 8