



US00D582856S

(12) **United States Design Patent**  
**Peng**

(10) **Patent No.:** **US D582,856 S**

(45) **Date of Patent:** **\*\* Dec. 16, 2008**

(54) **FPC CONNECTOR**

(75) Inventor: **Yung-Chi Peng**, Tu-Cheng (TW)

(73) Assignee: **Cheng Uei Precision Industry Co., Ltd.**, Taipei Hsien (TW)

(\*\*) Term: **14 Years**

(21) Appl. No.: **29/290,958**

(22) Filed: **Feb. 4, 2008**

(51) **LOC (8) Cl.** ..... **13-03**

(52) **U.S. Cl.** ..... **D13/147**

(58) **Field of Classification Search** ..... D13/146-147,  
D13/154, 184; D14/432, 433, 436, 438;  
439/64, 79, 108, 159-160, 260, 325, 326,  
439/394-395, 607-610, 629-630, 946

See application file for complete search history.

(56) **References Cited**

U.S. PATENT DOCUMENTS

D482,327 S *	11/2003	Saito et al. ....	D13/147
D500,985 S *	1/2005	Yamane et al. ....	D13/147
D501,183 S *	1/2005	Yamane et al. ....	D13/147
D502,686 S *	3/2005	Chiu et al. ....	D13/147
D517,494 S *	3/2006	Ikenaga et al. ....	D13/147

D526,617 S *	8/2006	Yamane et al. ....	D13/147
D529,869 S *	10/2006	Lee et al. ....	D13/147
D561,699 S *	2/2008	Moritake et al. ....	D13/147

\* cited by examiner

*Primary Examiner*—Daniel D Bui

(74) *Attorney, Agent, or Firm*—Rosenberg, Klein & Lee

(57) **CLAIM**

The ornamental design for a FPC connector, as shown and described.

**DESCRIPTION**

FIG. 1 is a perspective view of a FPC connector showing my new design;

FIG. 2 is a front elevational view thereof;

FIG. 3 is a rear elevational view thereof;

FIG. 4 is a left side elevational view thereof;

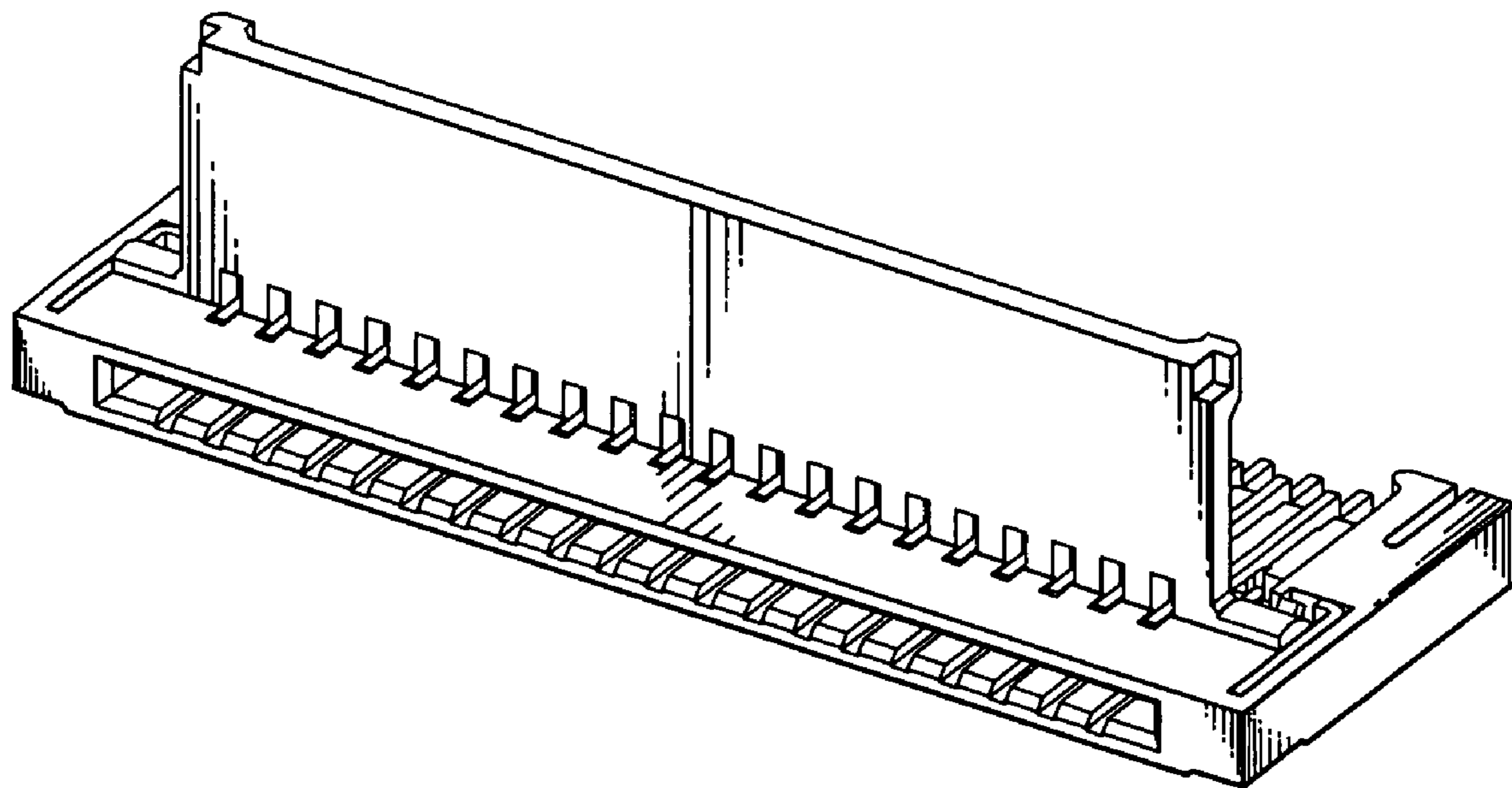
FIG. 5 is a right side elevational view thereof;

FIG. 6 is a top plan view thereof; and

FIG. 7 is a bottom plan view thereof; and,

FIG. 8 is a perspective view showing the FPC connector in an open state.

**1 Claim, 8 Drawing Sheets**



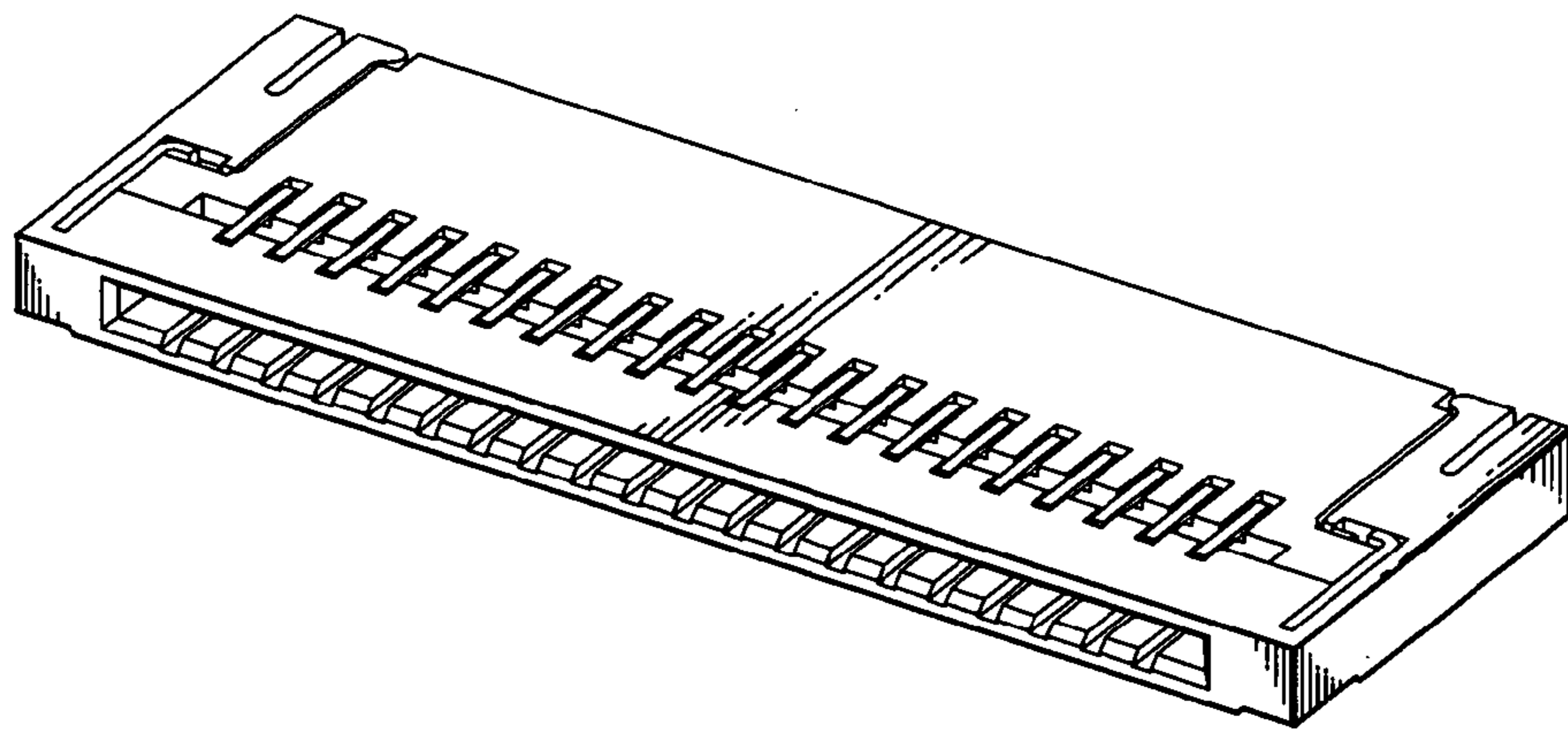


FIG. 1



FIG. 2



FIG. 3



FIG. 4



FIG. 5

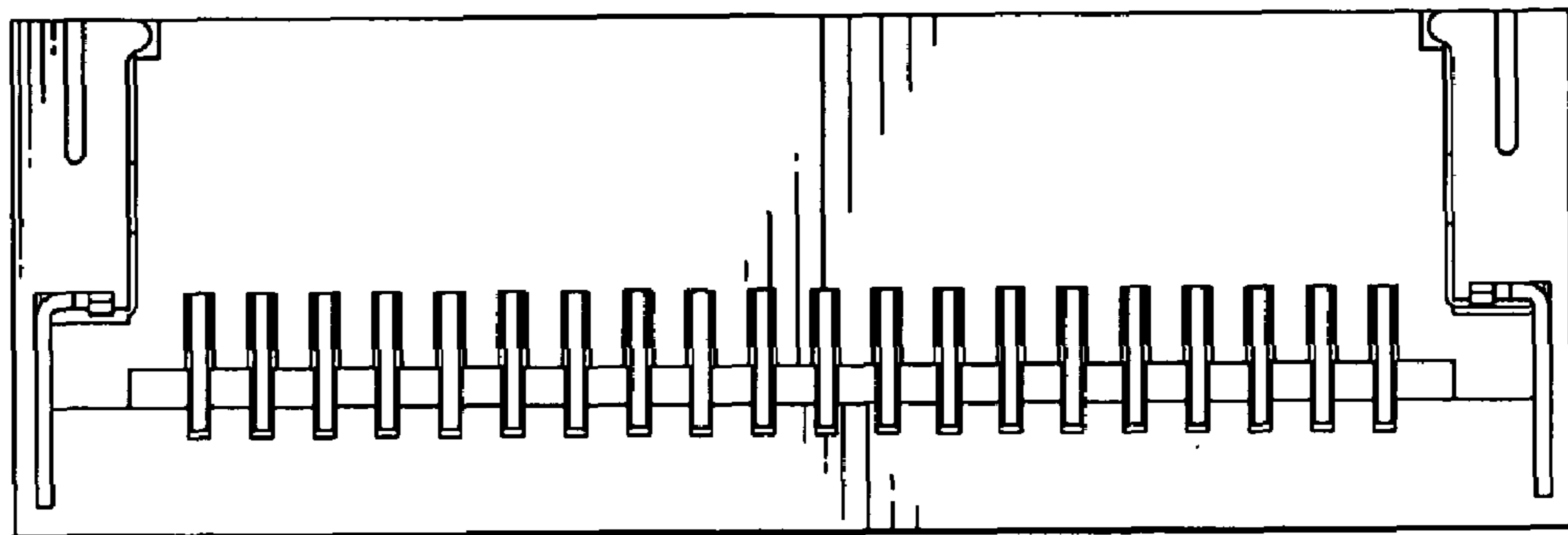


FIG. 6

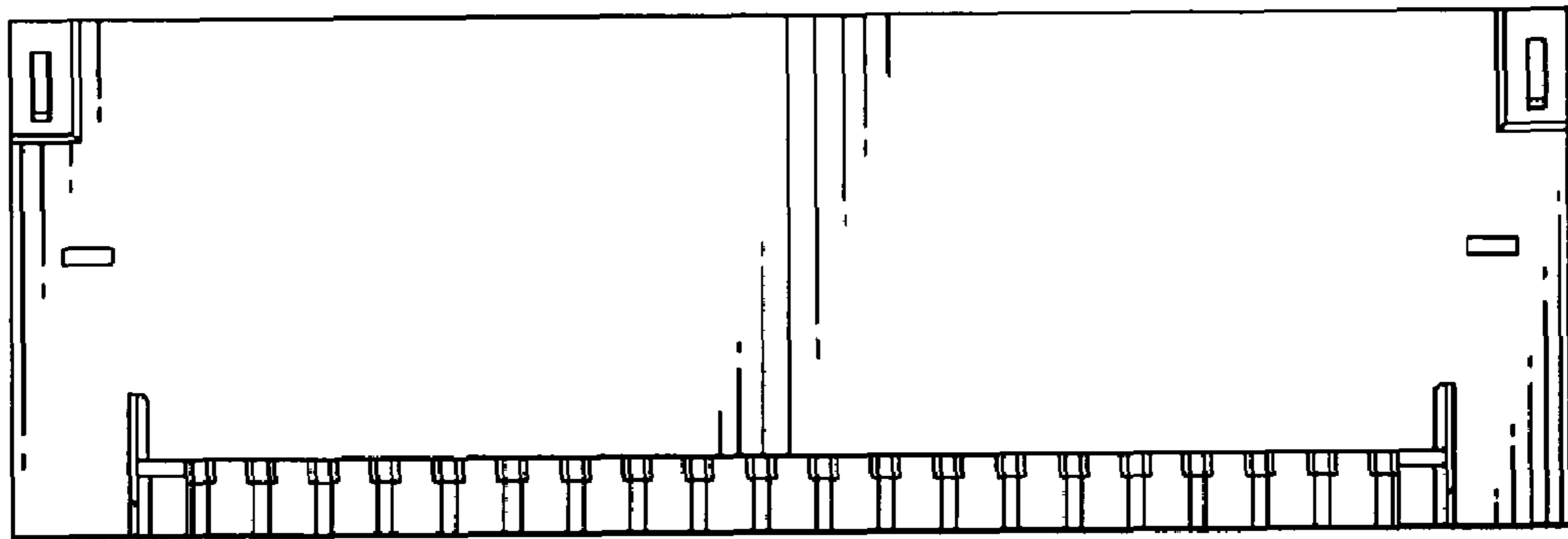


FIG. 7



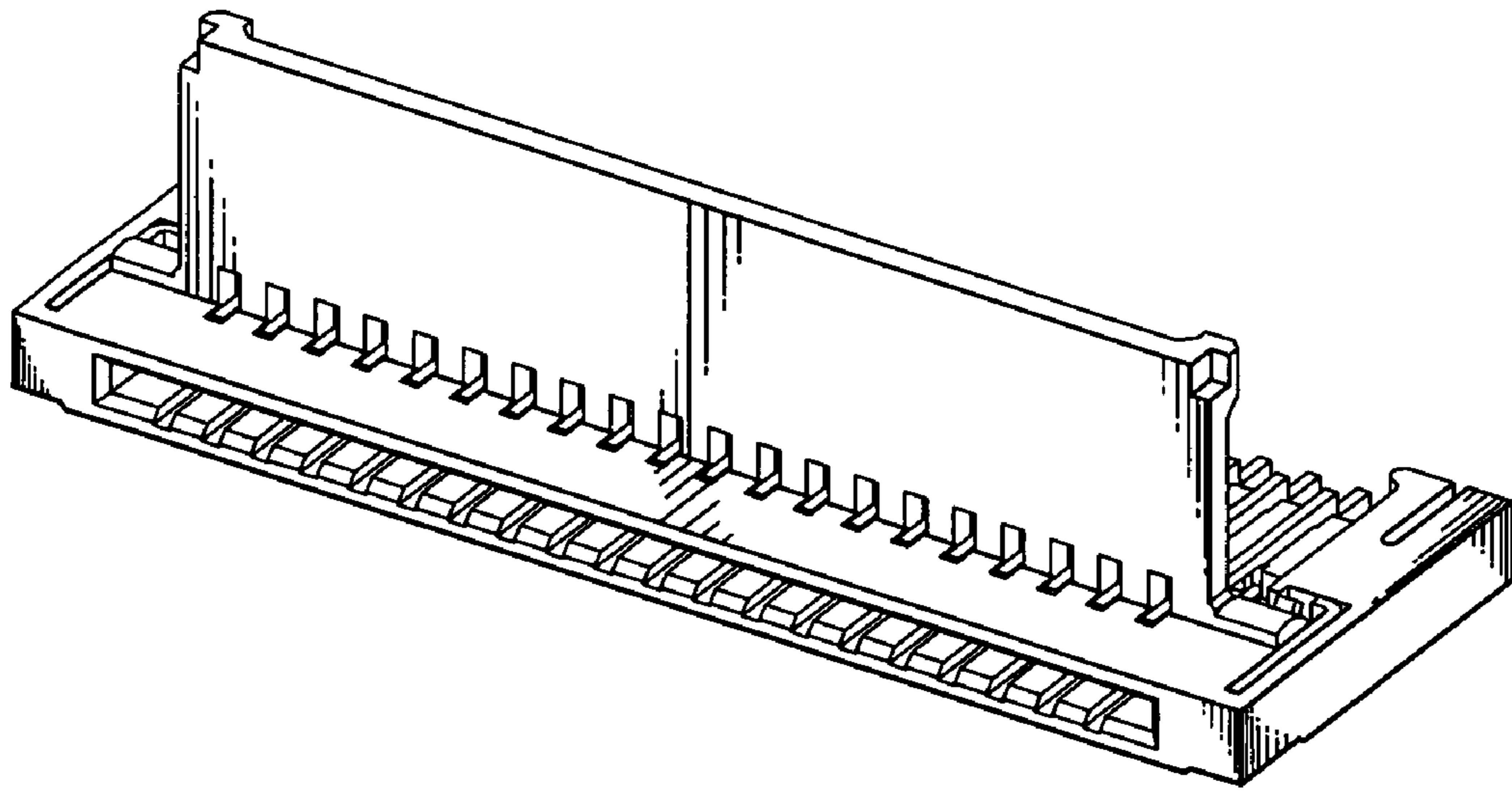


FIG. 8