



US00D582855S

(12) **United States Design Patent**  
**Iijima et al.**

(10) **Patent No.:** **US D582,855 S**  
(45) **Date of Patent:** **\*\* Dec. 16, 2008**

(54) **ELECTRIC CONNECTOR**

(75) Inventors: **Satoshi Iijima**, Tokyo (JP); **Daisuke Kagami**, Tokyo (JP)

(73) Assignee: **Honda Tsushin Kogyo Co., Ltd**, Tokyo (JP)

(\*\*) Term: **14 Years**

(21) Appl. No.: **29/290,912**

(22) Filed: **Jan. 30, 2008**

(30) **Foreign Application Priority Data**

Aug. 23, 2007 (JP) ..... 2007-022780

(51) **LOC (8) Cl.** ..... **13-03**

(52) **U.S. Cl.** ..... **D13/147**

(58) **Field of Classification Search** ..... D13/146-147, D13/154, 184; 439/79, 108, 278, 374, 378, 439/540.1, 541.5, 607-610, 660, 682  
See application file for complete search history.

(56) **References Cited**

**U.S. PATENT DOCUMENTS**

D330,540 S \* 10/1992 Tanaka ..... D13/147  
D375,723 S \* 11/1996 Aramaki ..... D13/147

D518,782 S \* 4/2006 Su ..... D13/147  
D538,229 S \* 3/2007 Hayashi ..... D13/147  
D538,230 S \* 3/2007 Kudo ..... D13/147  
7,381,068 B1 \* 6/2008 Lin et al. .... 439/136

\* cited by examiner

*Primary Examiner*—Daniel D Bui

(74) *Attorney, Agent, or Firm*—Wenderoth, Lind & Ponack, L.L.P.

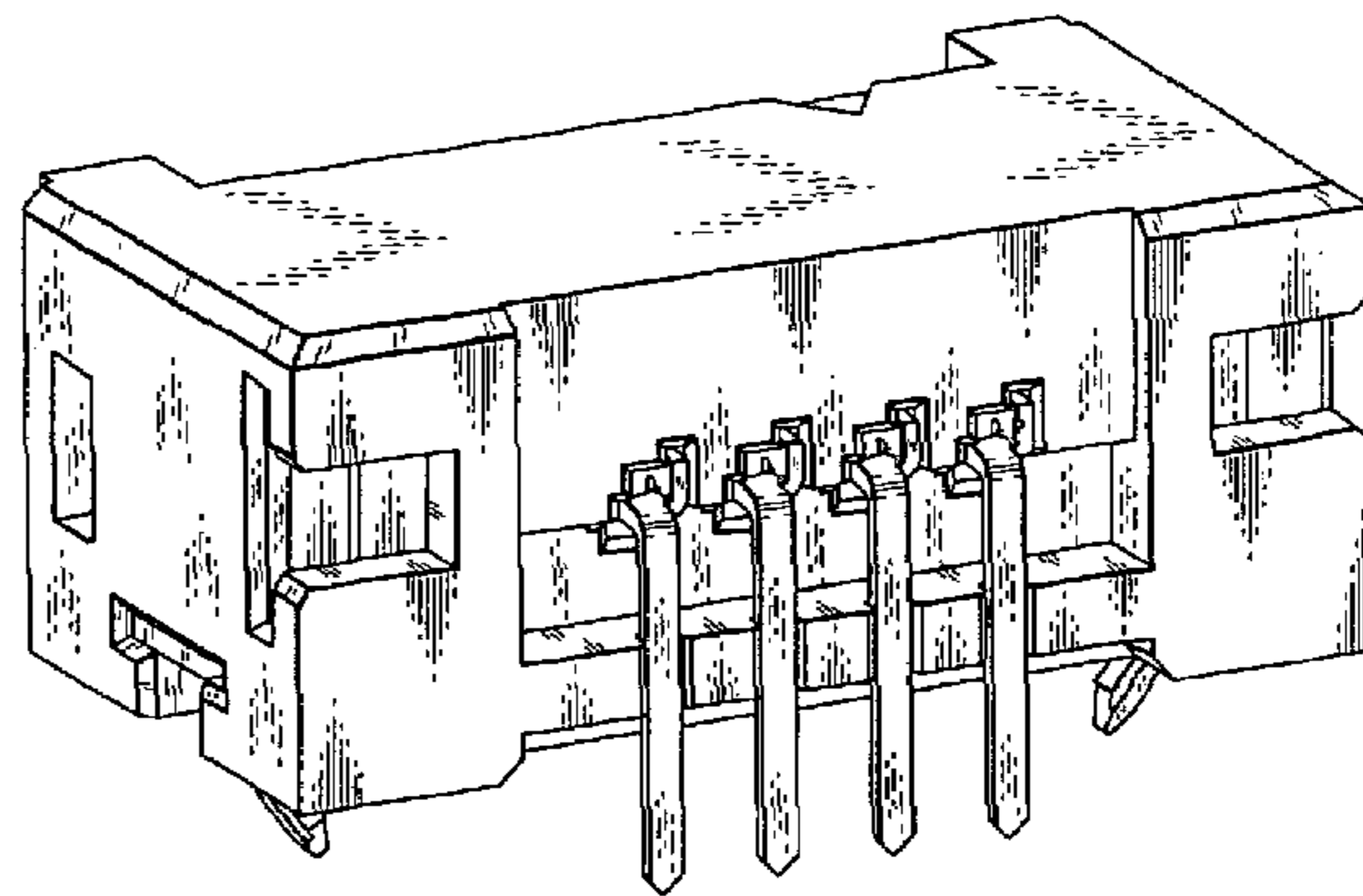
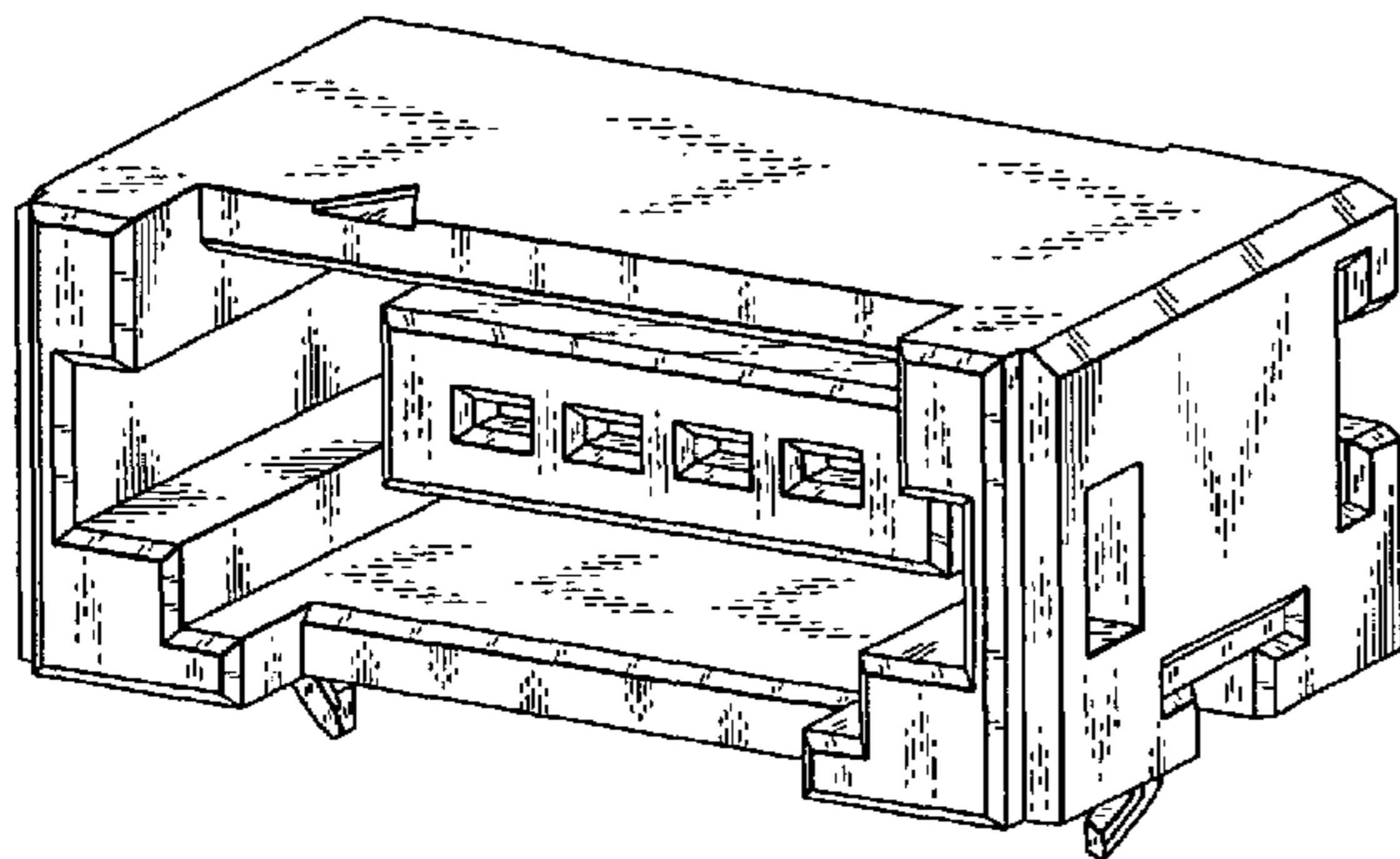
(57) **CLAIM**

The original design for an electric connector, as shown and described.

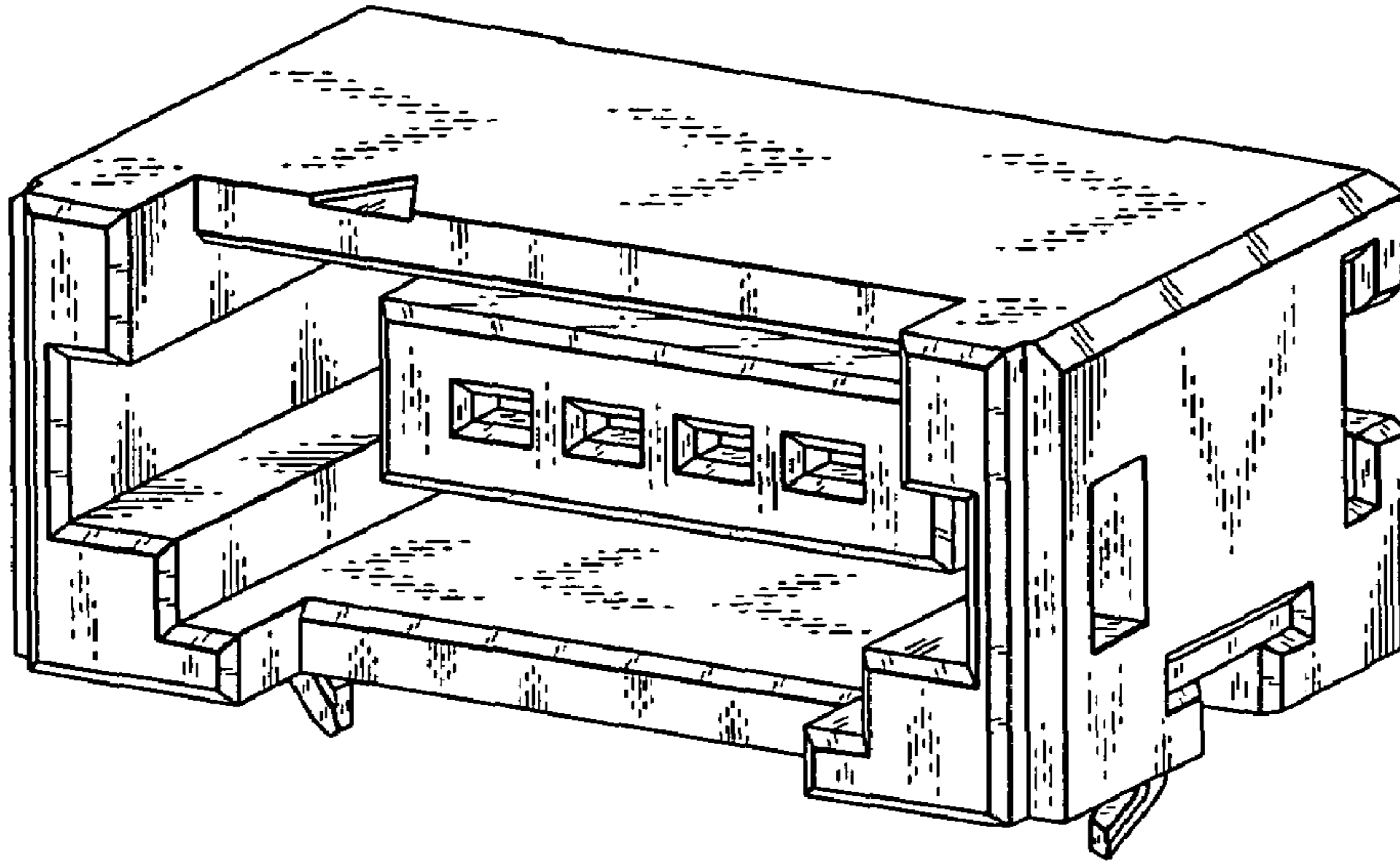
**DESCRIPTION**

FIG. 1 is a front, top and right side perspective view of an electrical connector showing our new design;  
FIG. 2 is a rear, top and right side perspective view thereof;  
FIG. 3 is a front elevational view thereof;  
FIG. 4 is a rear elevational view thereof;  
FIG. 5 is a right side elevational view thereof;  
FIG. 6 is a top plan view thereof; and,  
FIG. 7 is a bottom plan view thereof.

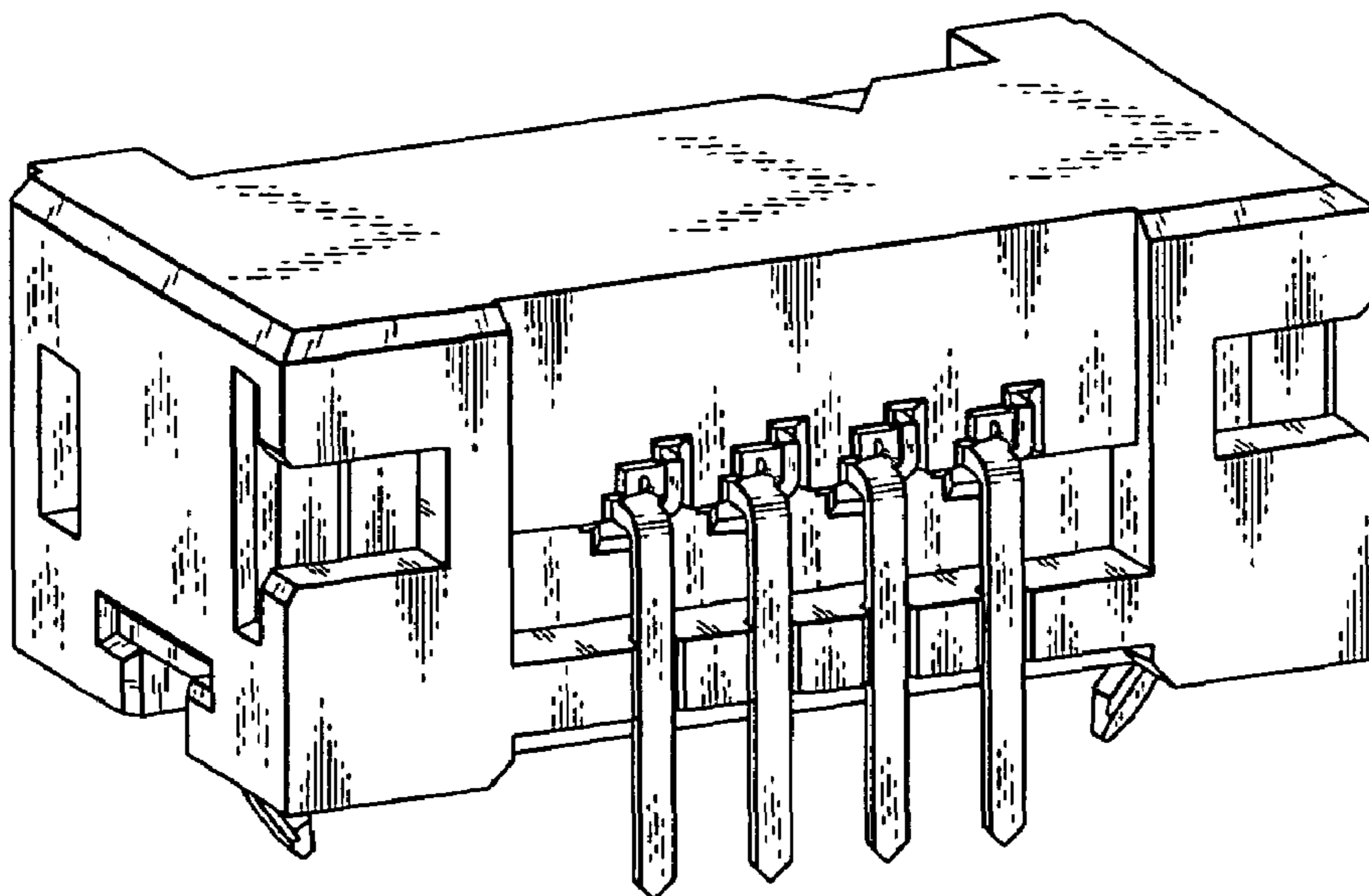
**1 Claim, 4 Drawing Sheets**



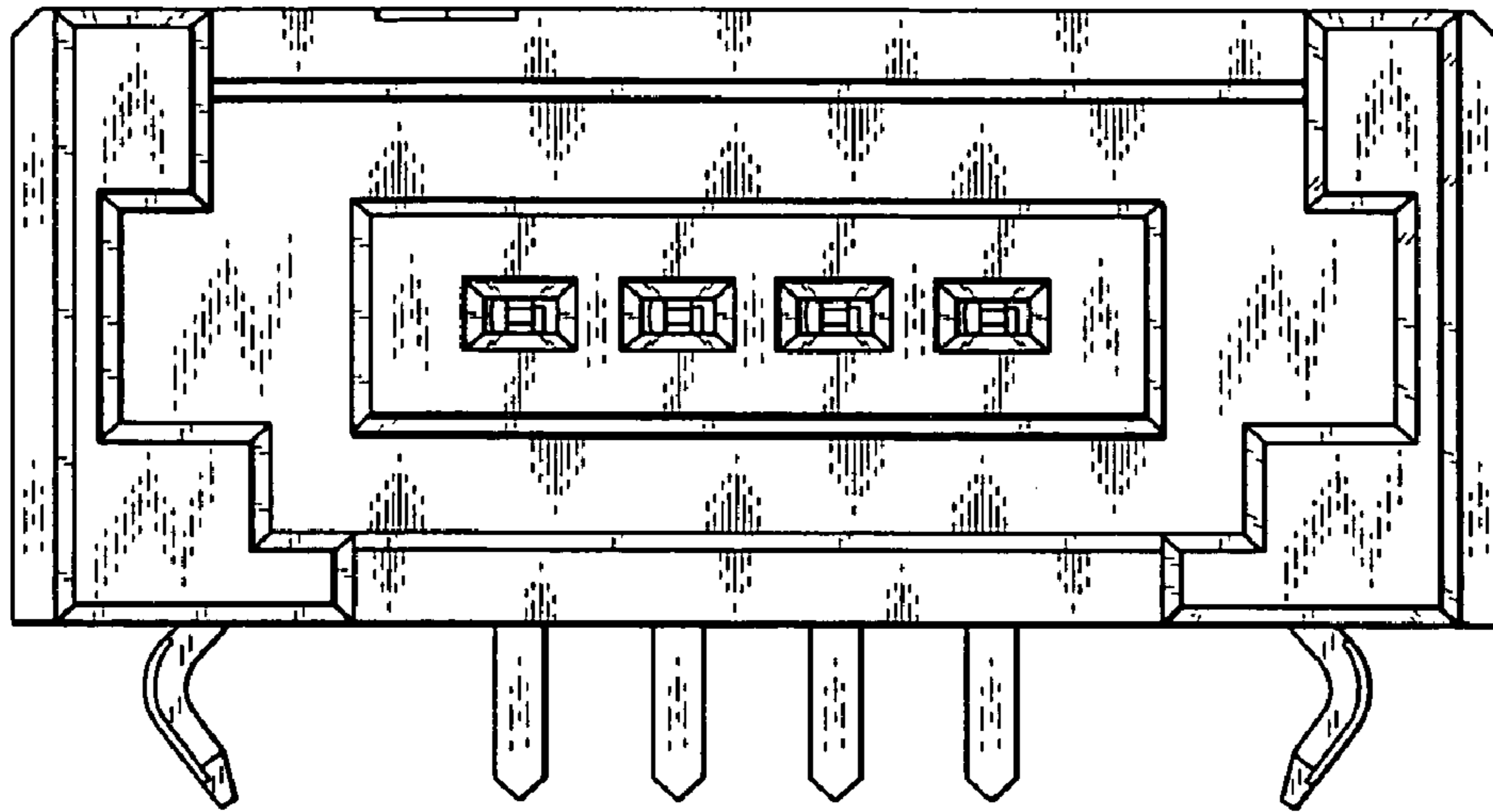
*Fig. 1*



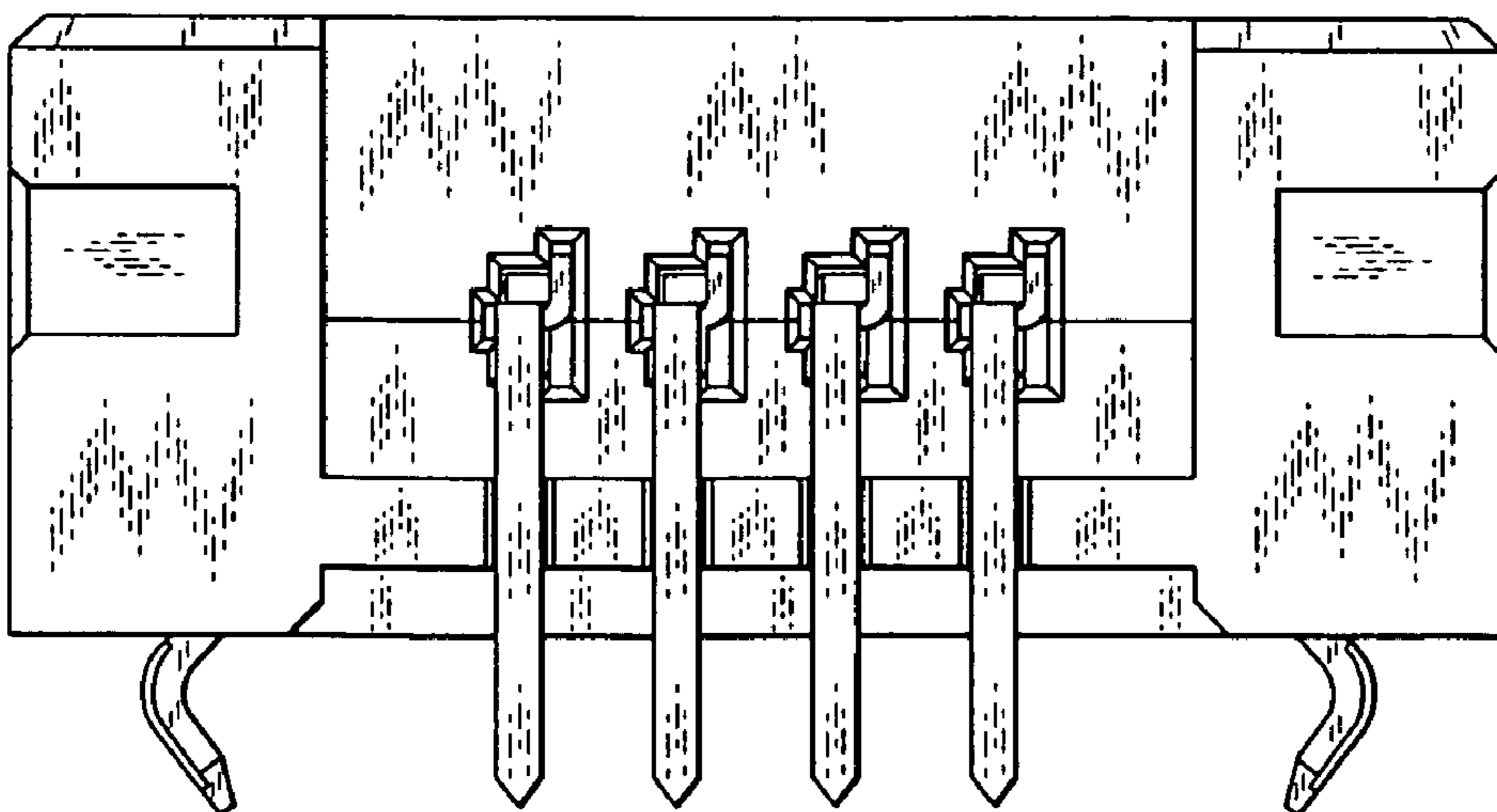
*Fig. 2*



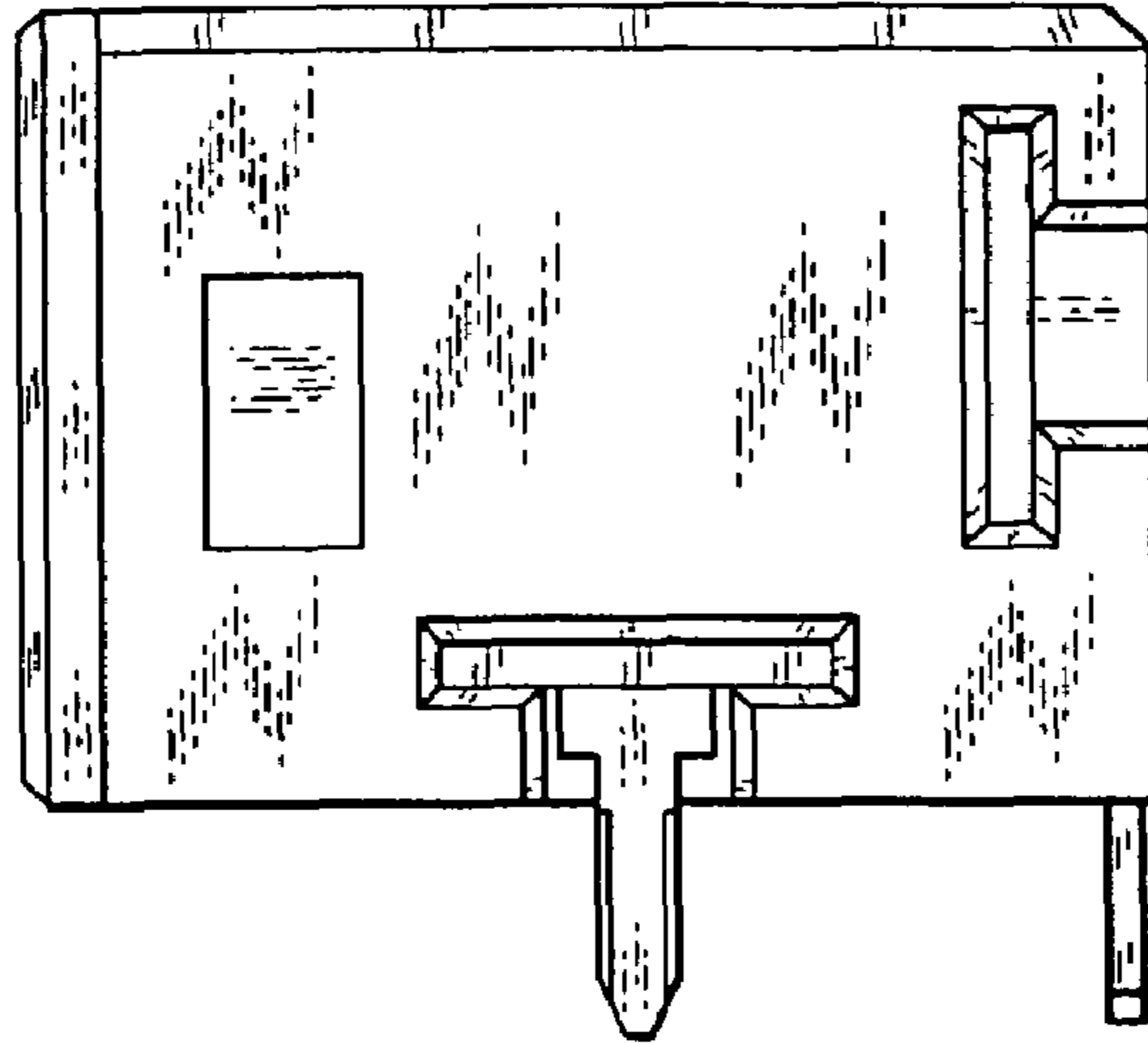
*Fig. 3*



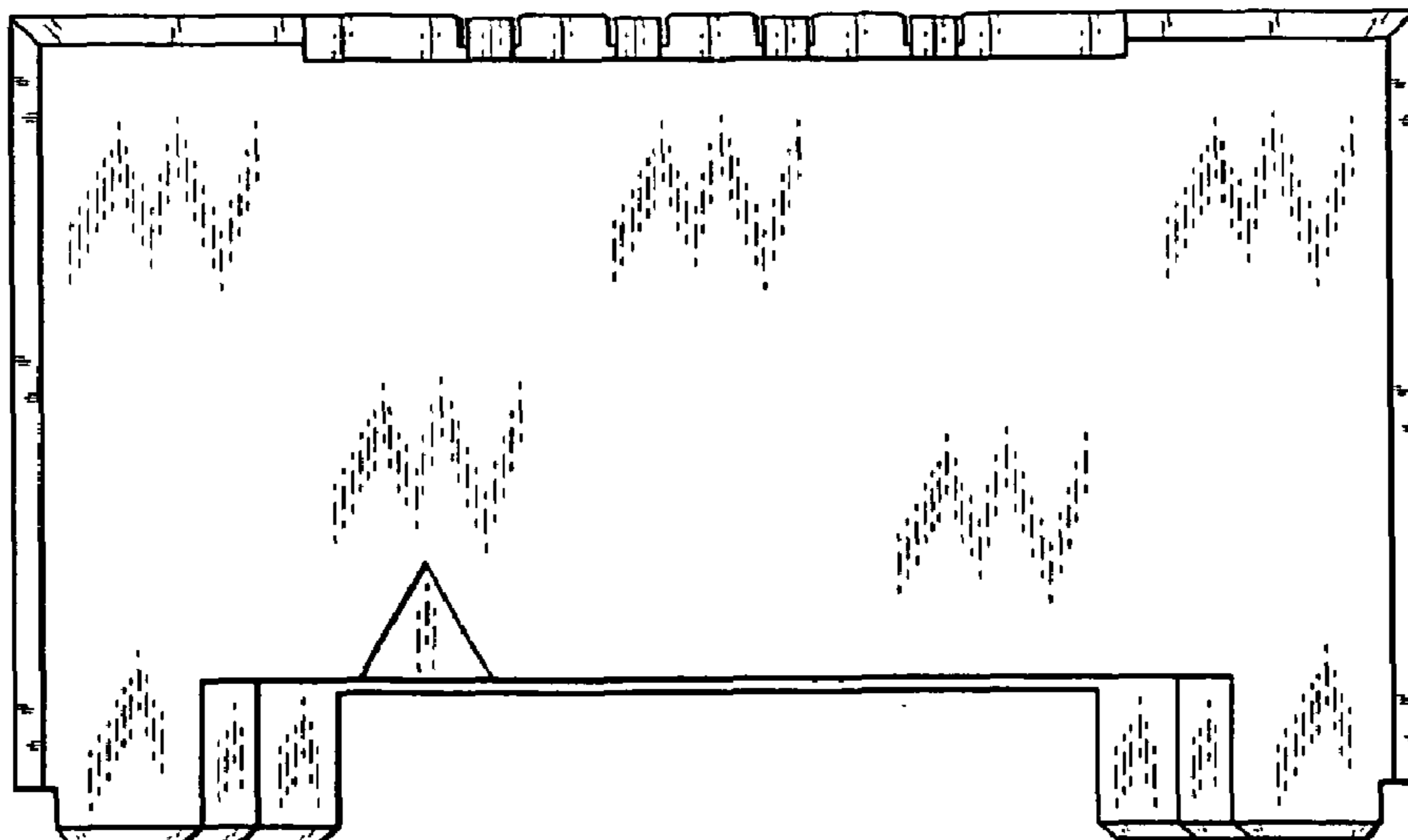
*Fig. 4*



*Fig. 5*



*Fig. 6*



*Fig. 7*

