



US00D582854S

(12) **United States Design Patent**
Iijima et al.

(10) **Patent No.:** **US D582,854 S**

(45) **Date of Patent:** **** Dec. 16, 2008**

(54) **ELECTRIC CONNECTOR**

(75) Inventors: **Satoshi Iijima**, Tokyo (JP); **Daisuke Kagami**, Tokyo (JP)

(73) Assignee: **Honda Tsushin Kogyo Co., Ltd.**, Tokyo (JP)

(**) Term: **14 Years**

(21) Appl. No.: **29/290,911**

(22) Filed: **Jan. 30, 2008**

(30) **Foreign Application Priority Data**

Aug. 23, 2007 (JP) 2007-022781

(51) **LOC (8) Cl.** **13-03**

(52) **U.S. Cl.** **D13/147**

(58) **Field of Classification Search** D13/146-147,
D13/154, 184; 439/79, 108, 278, 374, 378,
439/540.1, 541.5, 607-610, 660, 682
See application file for complete search history.

(56) **References Cited**

U.S. PATENT DOCUMENTS

D330,540 S * 10/1992 Tanaka D13/147
D464,625 S * 10/2002 Chen D13/147
6,663,423 B2 * 12/2003 Belopolsky et al. 439/541.5

6,672,899 B2 * 1/2004 Morita et al. 439/541.5
7,168,985 B1 * 1/2007 Zhang et al. 439/607
D537,787 S * 3/2007 Hayashi D13/147
D538,229 S * 3/2007 Hayashi D13/147
2003/0008553 A1 * 1/2003 Oleynick et al. 439/541.5

* cited by examiner

Primary Examiner—Daniel D Bui

(74) *Attorney, Agent, or Firm*—Wenderoth, Lind & Ponack, L.L.P.

(57) **CLAIM**

The original design for an electric connector, as shown and described.

DESCRIPTION

FIG. 1 is a front, top and right side perspective view of an electrical connector showing our new design;

FIG. 2 is a rear, top and right side perspective view thereof;

FIG. 3 is a front elevational view thereof;

FIG. 4 is a rear elevational view thereof;

FIG. 5 is a right side elevational view thereof;

FIG. 6 is a top plan view thereof; and,

FIG. 7 is a bottom plan view thereof.

1 Claim, 4 Drawing Sheets

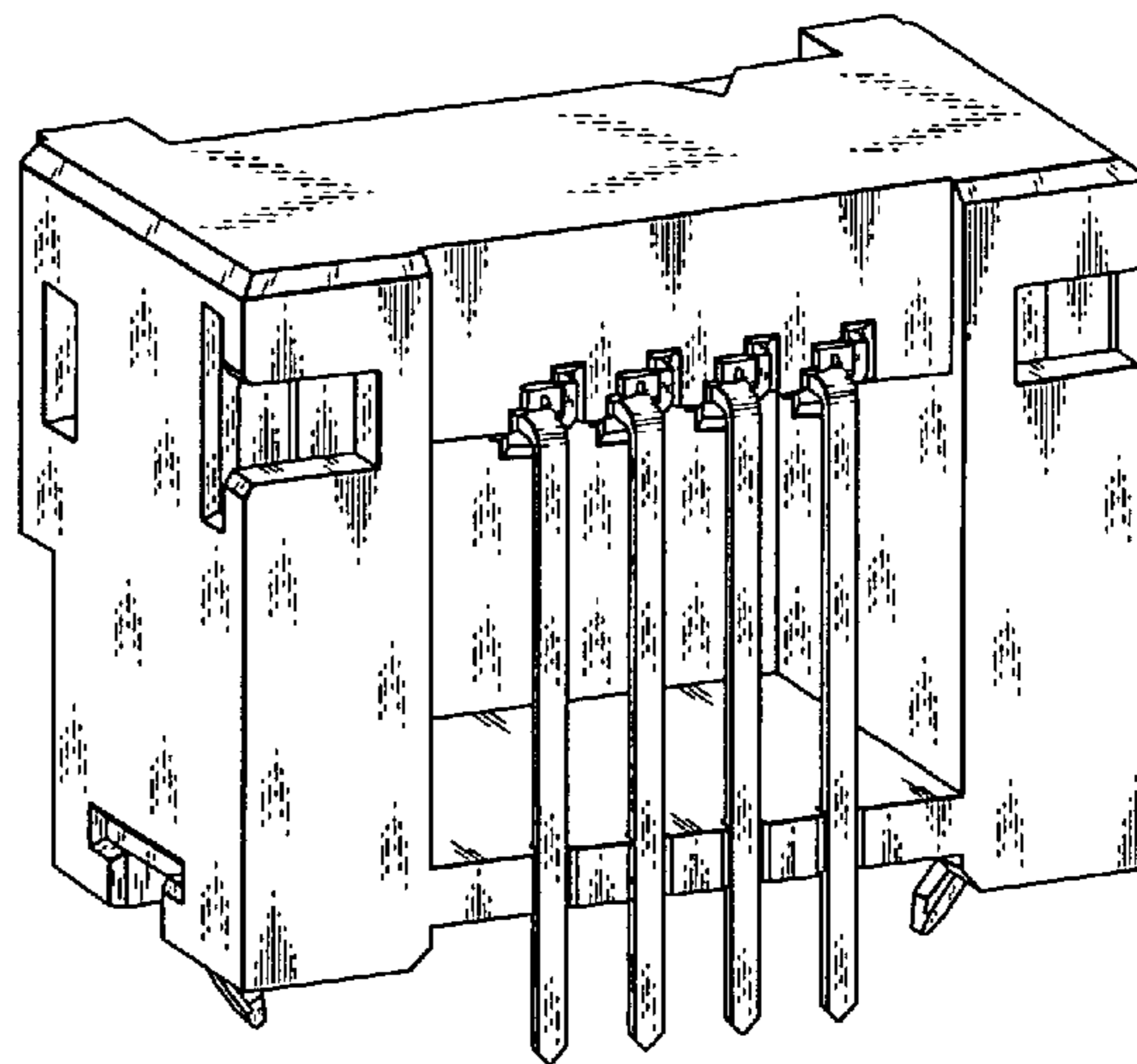
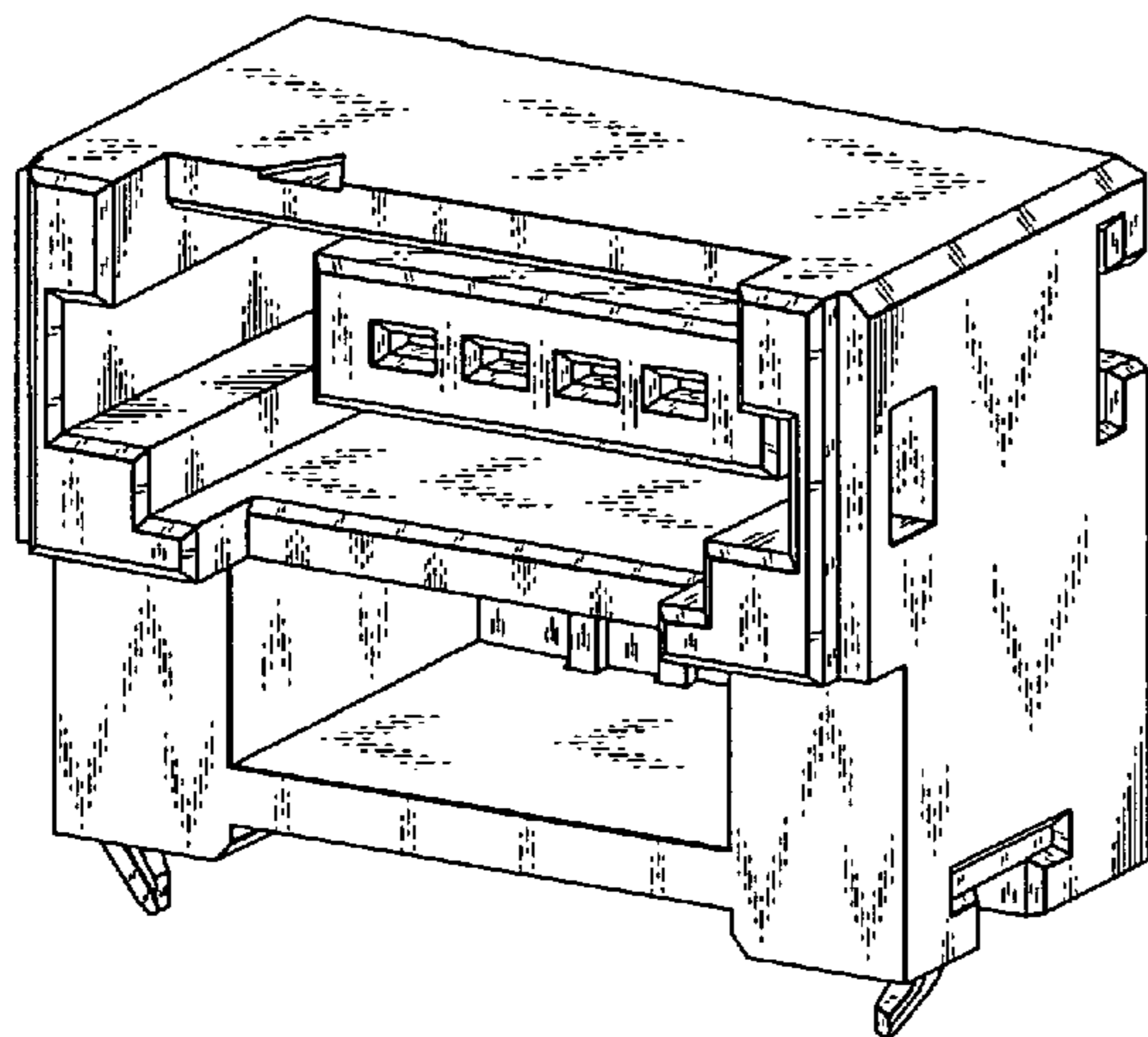


Fig. 1

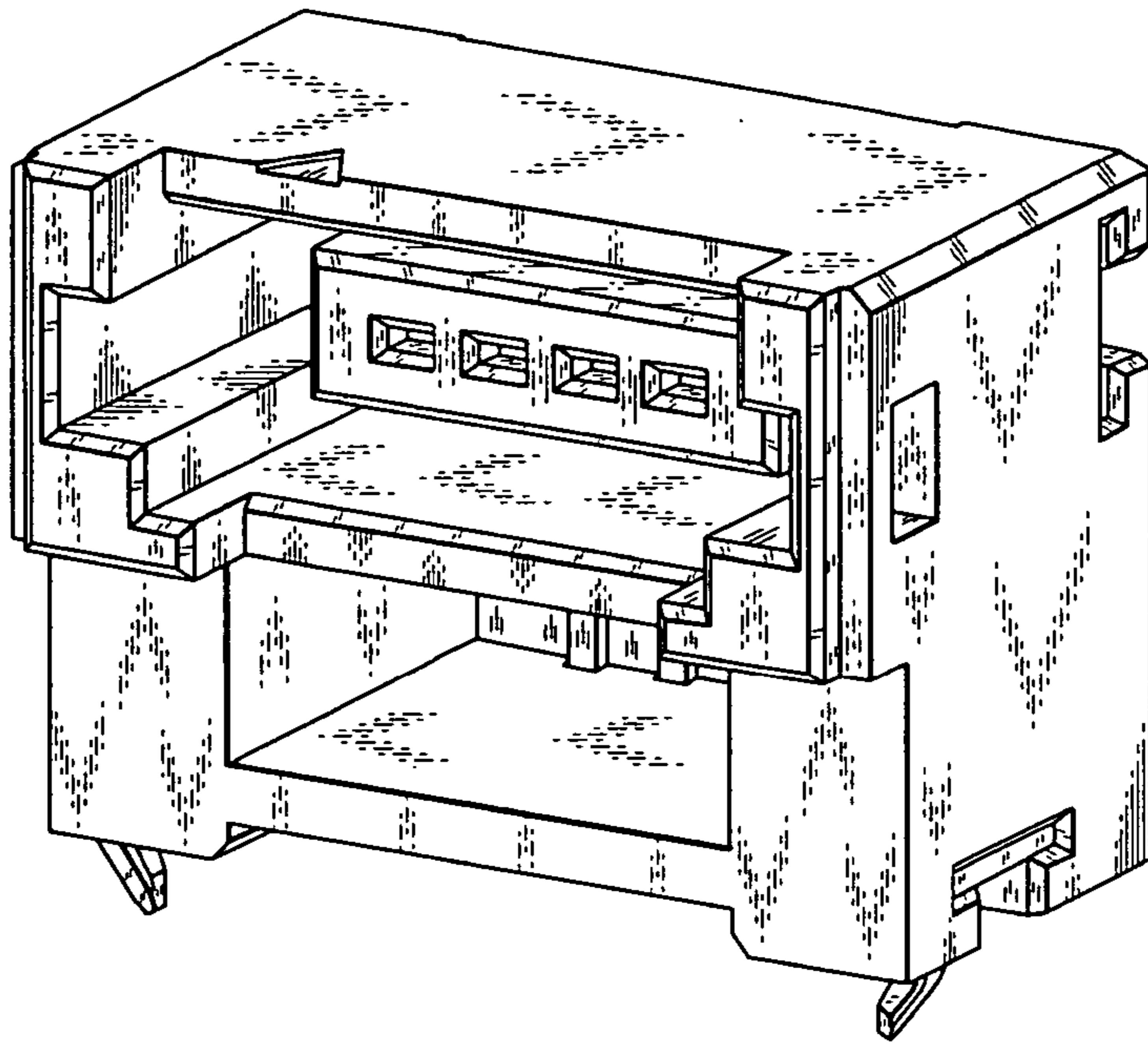


Fig. 2

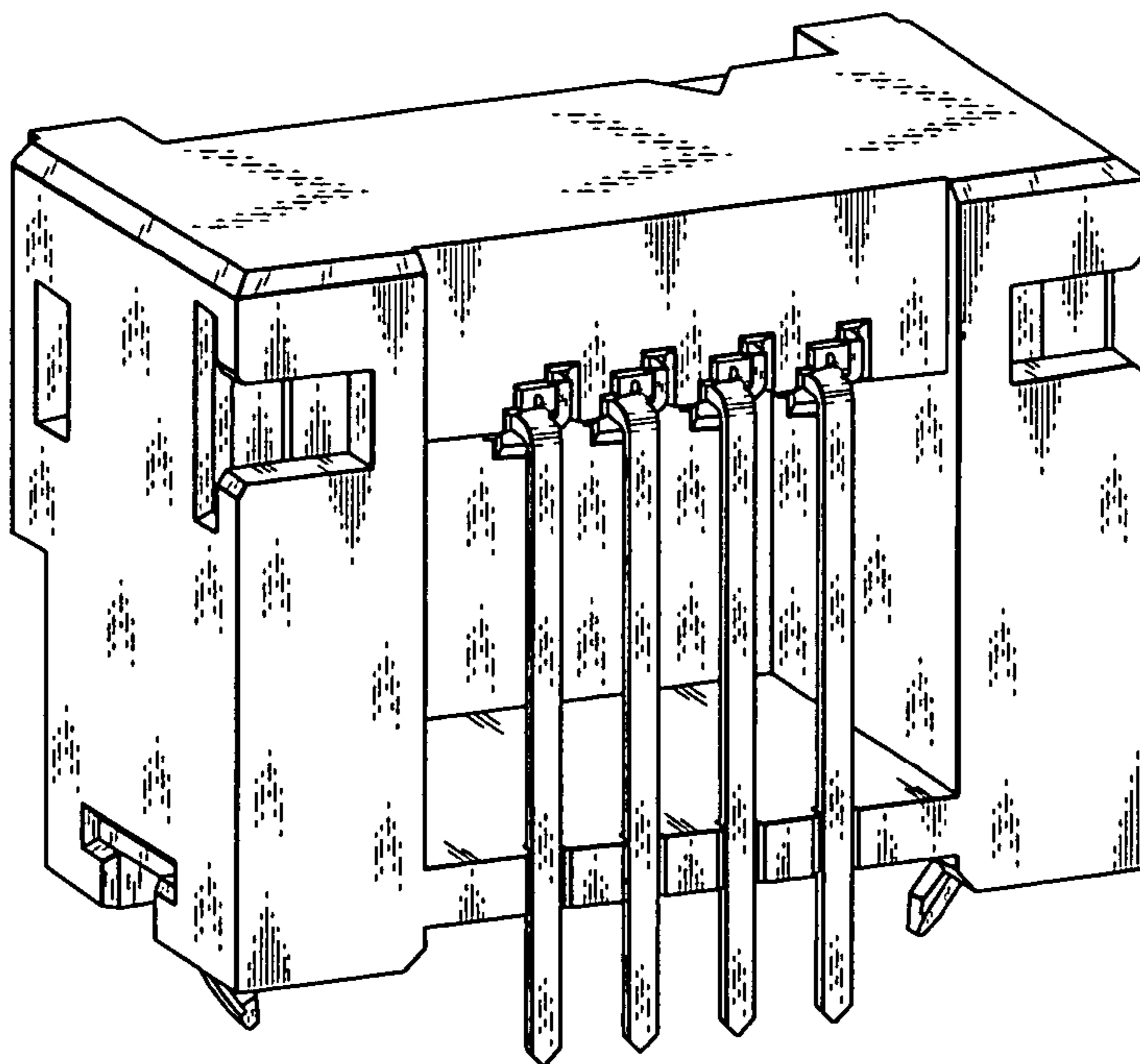


Fig. 3

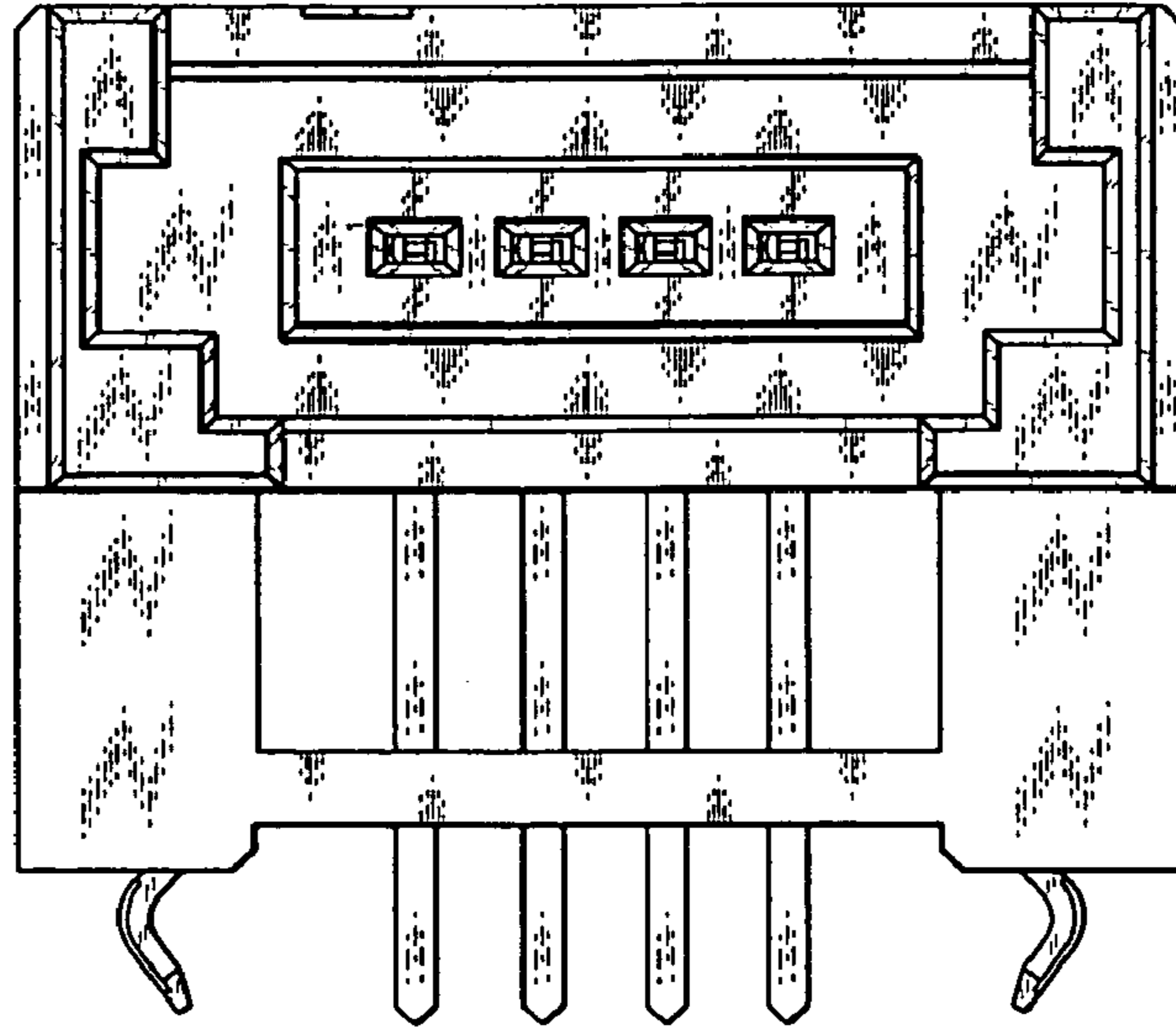


Fig. 4

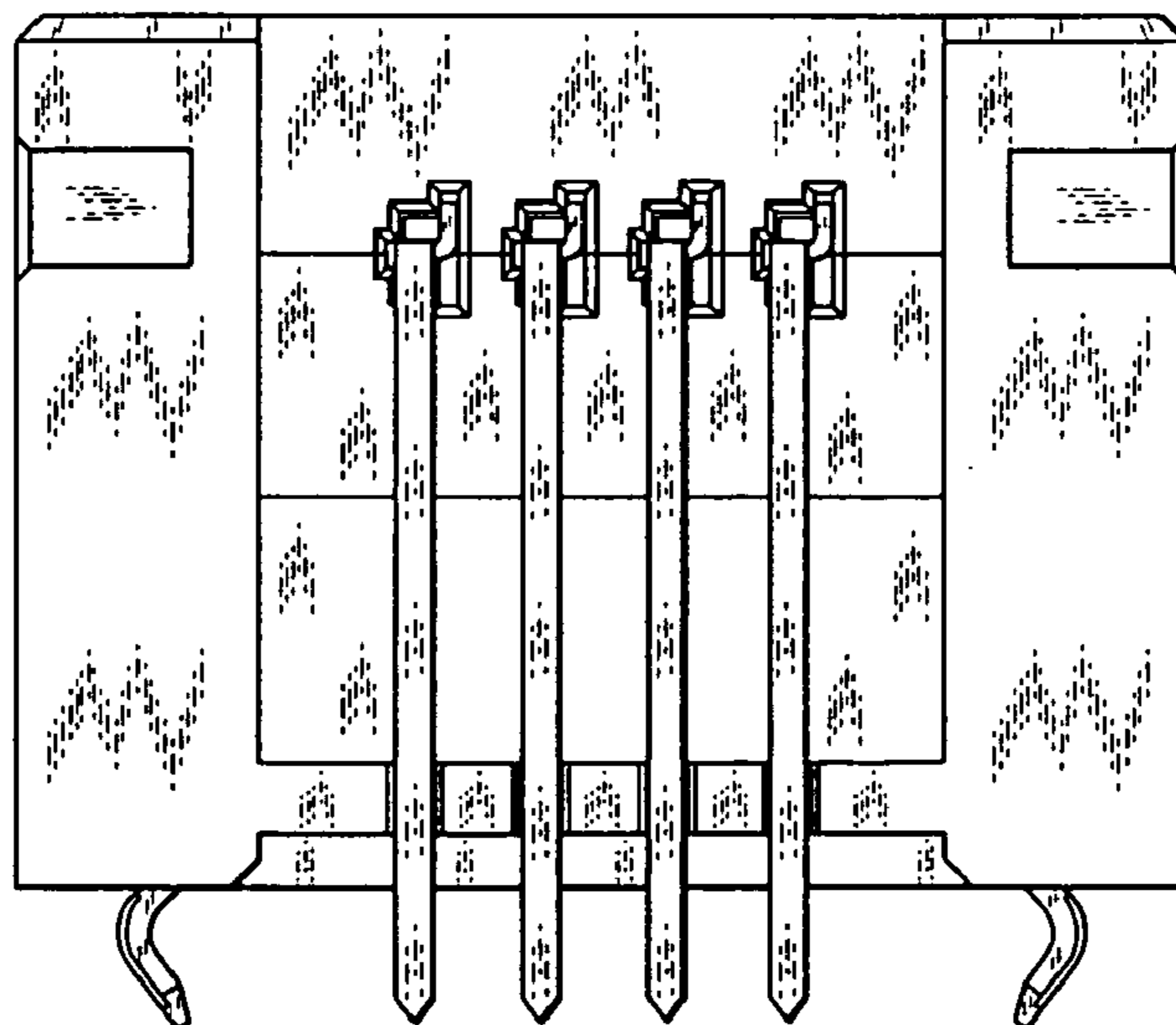


Fig. 5

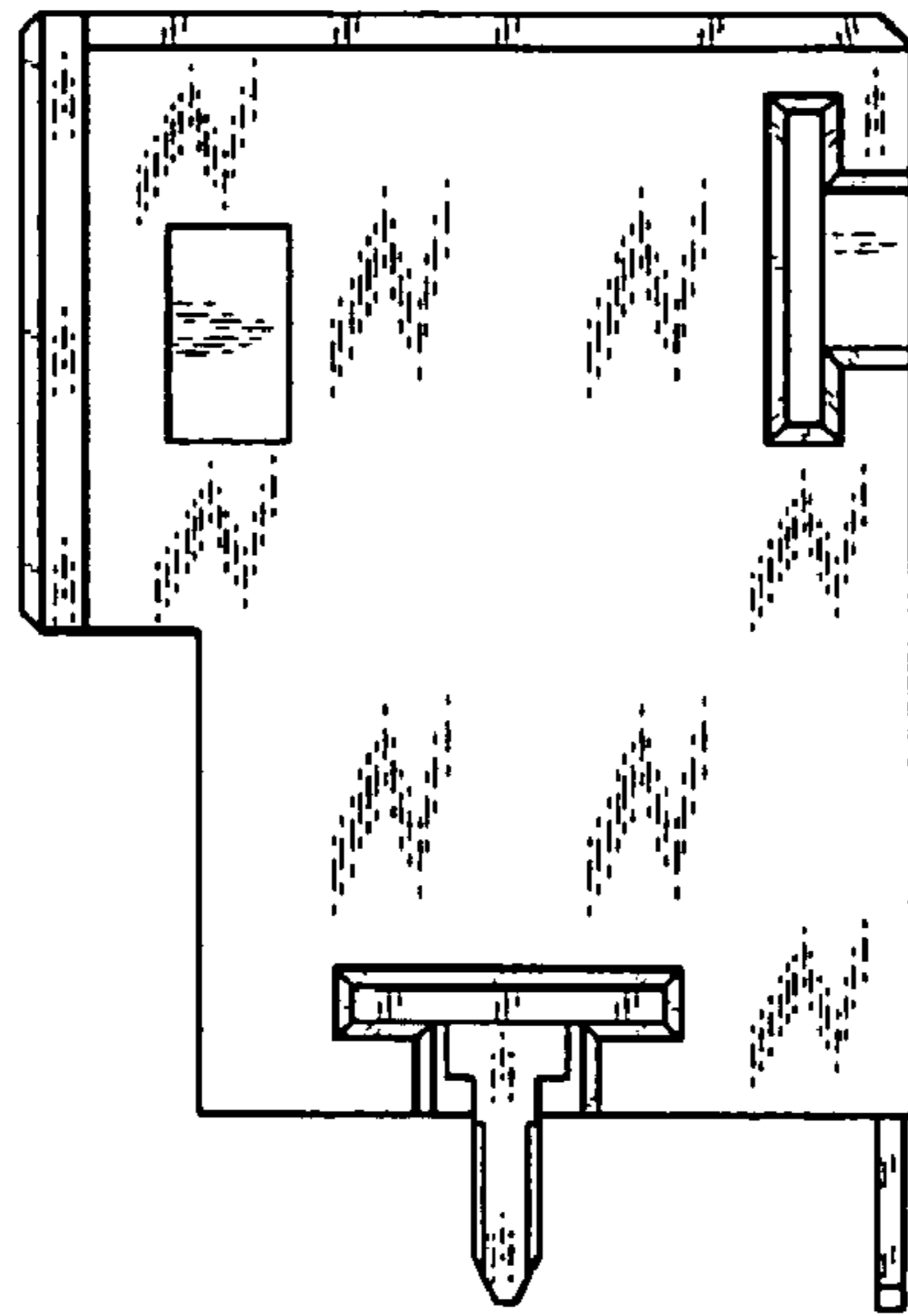


Fig. 6

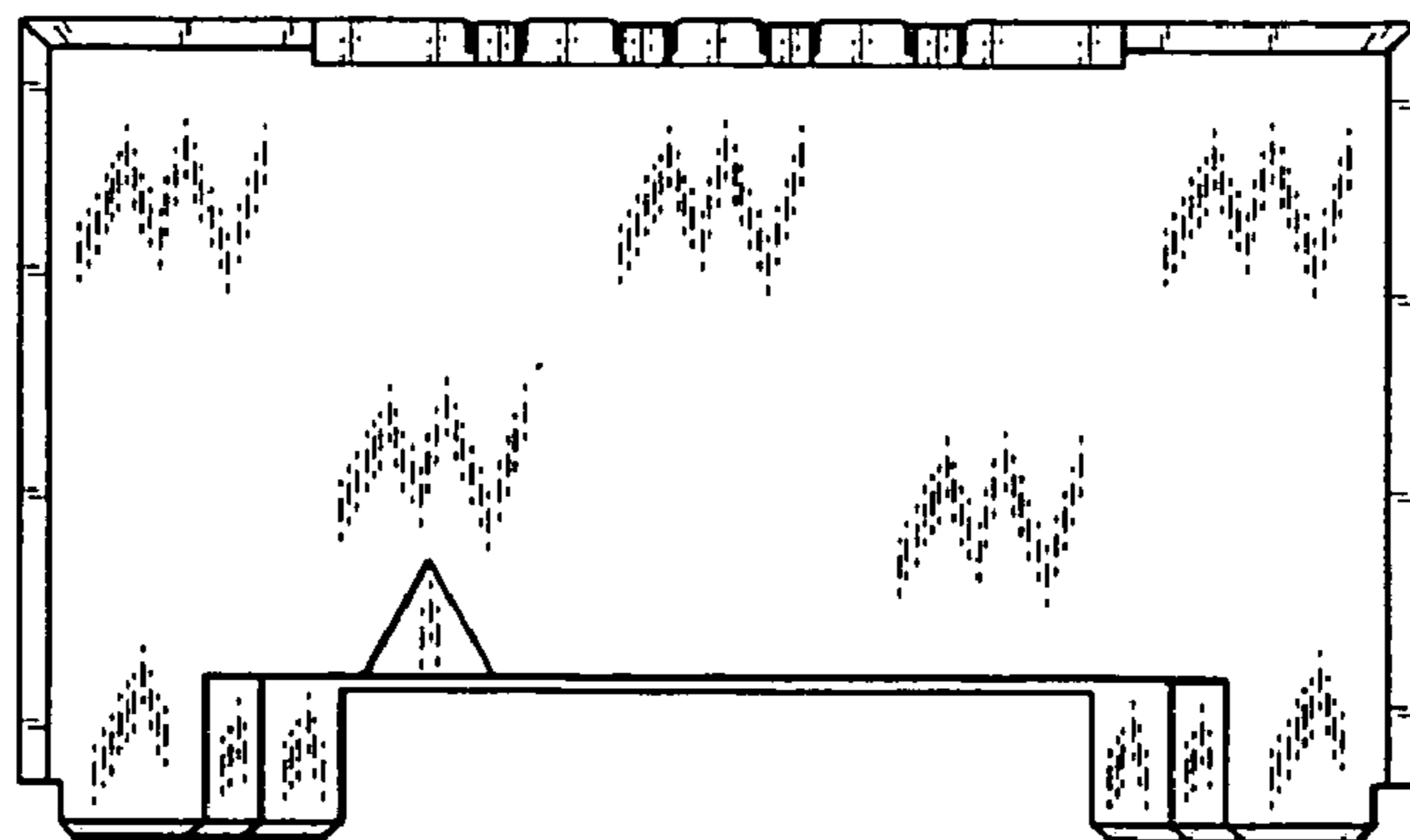


Fig. 7

