



US00D582853S

(12) **United States Design Patent**  
**Peng et al.**

(10) **Patent No.:** **US D582,853 S**

(45) **Date of Patent:** **\*\* Dec. 16, 2008**

(54) **FPC CONNECTOR**

D561,699 S \* 2/2008 Moritake et al. .... D13/147

(75) Inventors: **Yung-chi Peng**, Tu-Cheng (TW);  
**Ning-lang Cheng**, Tu-Cheng (TW)

FOREIGN PATENT DOCUMENTS

JP 2004111141 A \* 4/2004

\* cited by examiner

(73) Assignee: **Cheng Uei Precision Industry Co., Ltd.**, Taipei Hsien (TW)

*Primary Examiner*—Daniel D Bui

(74) *Attorney, Agent, or Firm*—Rosenberg, Klein & Lee

(\*\*) Term: **14 Years**

(57) **CLAIM**

(21) Appl. No.: **29/290,865**

The ornamental design for a FPC connector, as shown and described.

(22) Filed: **Jan. 24, 2008**

(51) **LOC (8) Cl.** ..... **13-03**

(52) **U.S. Cl.** ..... **D13/147**

(58) **Field of Classification Search** ..... D13/146–147,  
D13/154, 184; D14/432, 433, 436, 438;  
439/64, 79, 108, 159–160, 260, 325, 326,  
439/394–395, 607–610, 629–630, 946

See application file for complete search history.

**DESCRIPTION**

FIG. 1 is a perspective view of a FPC connector showing our new design;

FIG. 2 is a front elevational view thereof;

FIG. 3 is a rear elevational view thereof;

FIG. 4 is a left side elevational view thereof;

FIG. 5 is a right side elevational view thereof;

FIG. 6 is a top plan view thereof; and

FIG. 7 is a bottom plan view thereof.

FIG. 8 is another perspective view of the FPC connector showing our new design; and,

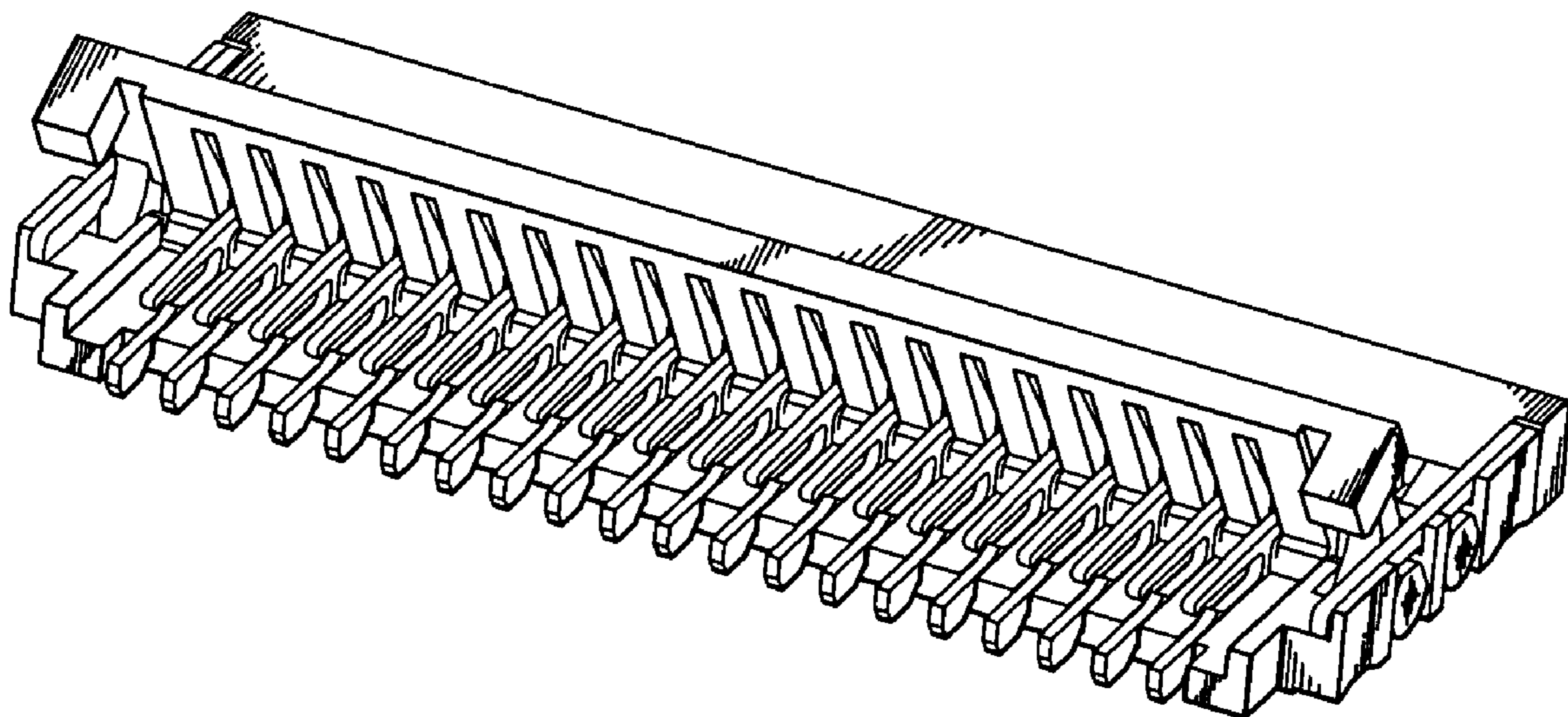
FIG. 9 is another perspective view of the FPC connector showing our new design.

(56) **References Cited**

U.S. PATENT DOCUMENTS

D482,327 S	*	11/2003	Saito et al.	.....	D13/147
D500,985 S	*	1/2005	Yamane et al.	.....	D13/147
D501,183 S	*	1/2005	Yamane et al.	.....	D13/147
D502,686 S	*	3/2005	Chiu et al.	.....	D13/147
D517,494 S	*	3/2006	Ikenaga et al.	.....	D13/147
D526,617 S	*	8/2006	Yamane et al.	.....	D13/147
D529,869 S	*	10/2006	Lee et al.	.....	D13/147

**1 Claim, 9 Drawing Sheets**



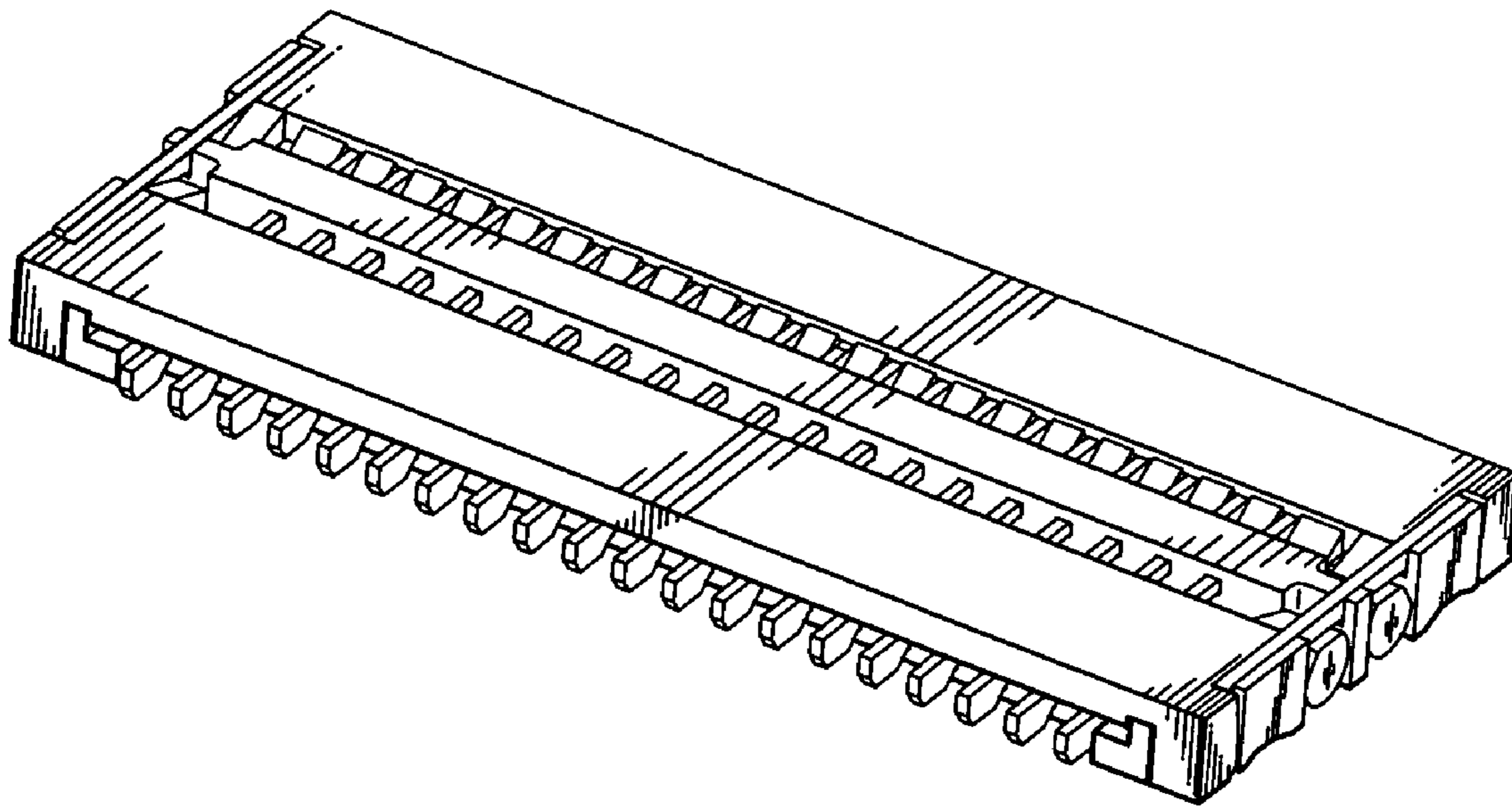


FIG. 1

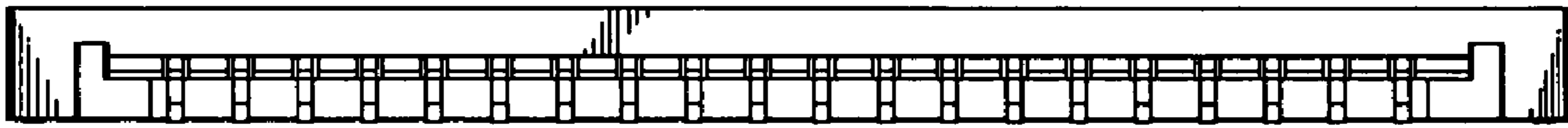


FIG. 2

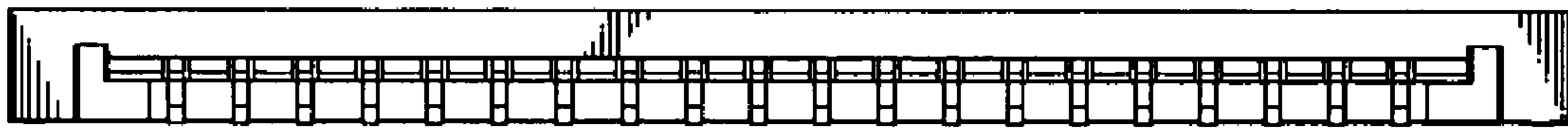


FIG. 3



FIG. 4

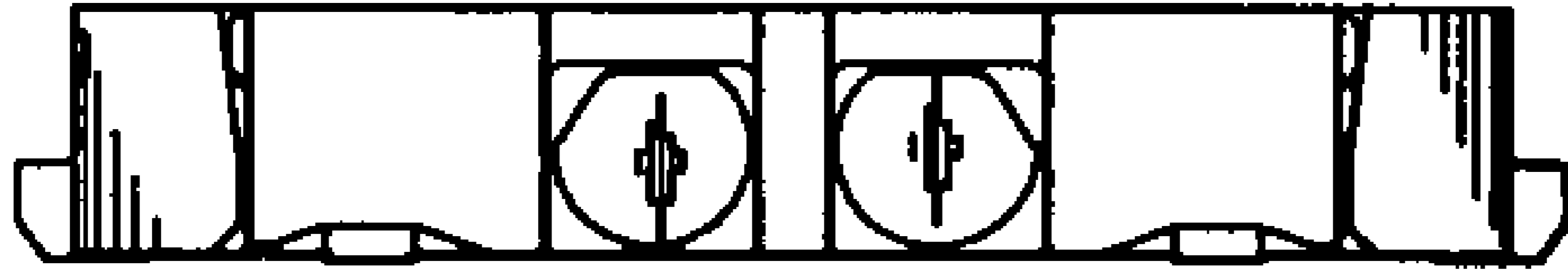


FIG. 5

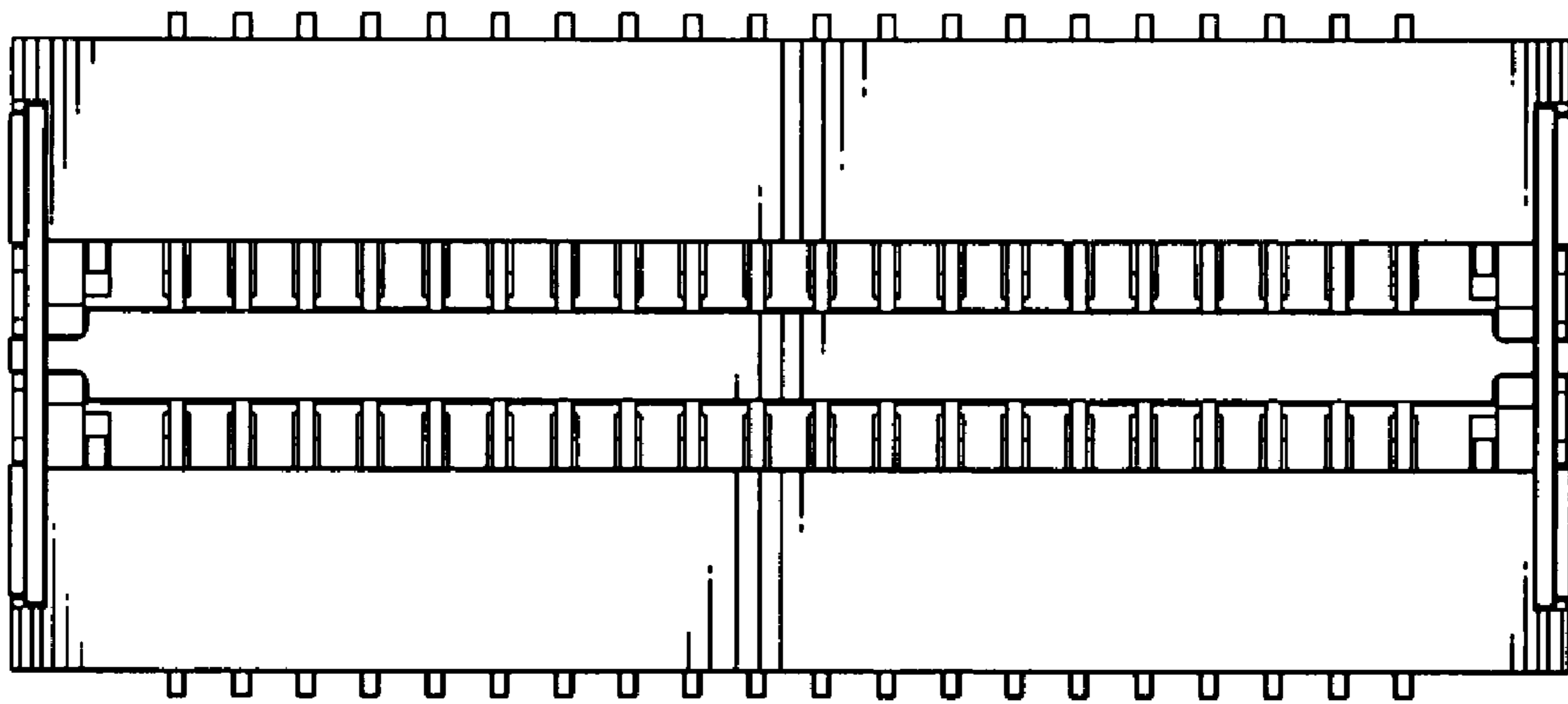


FIG. 6

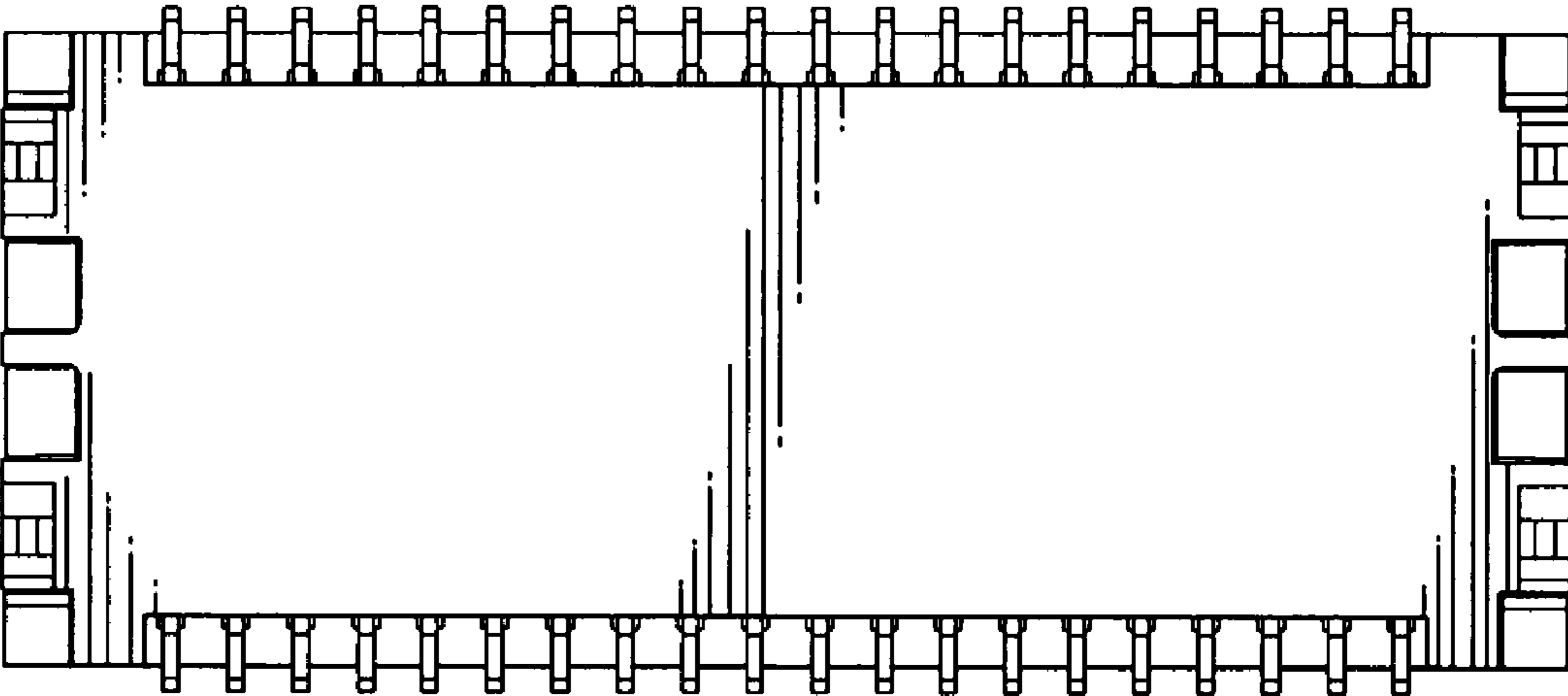


FIG. 7



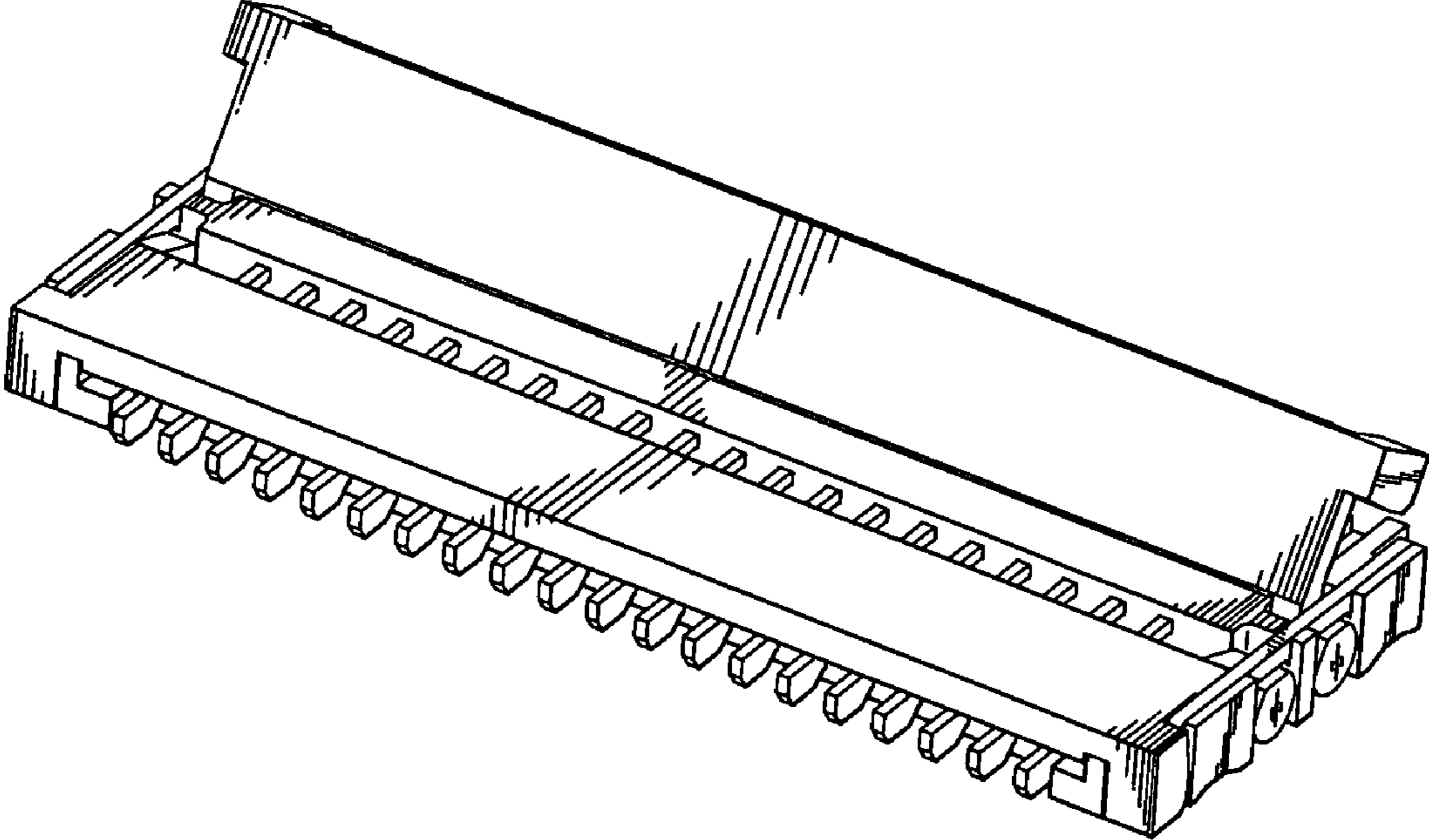


FIG. 8

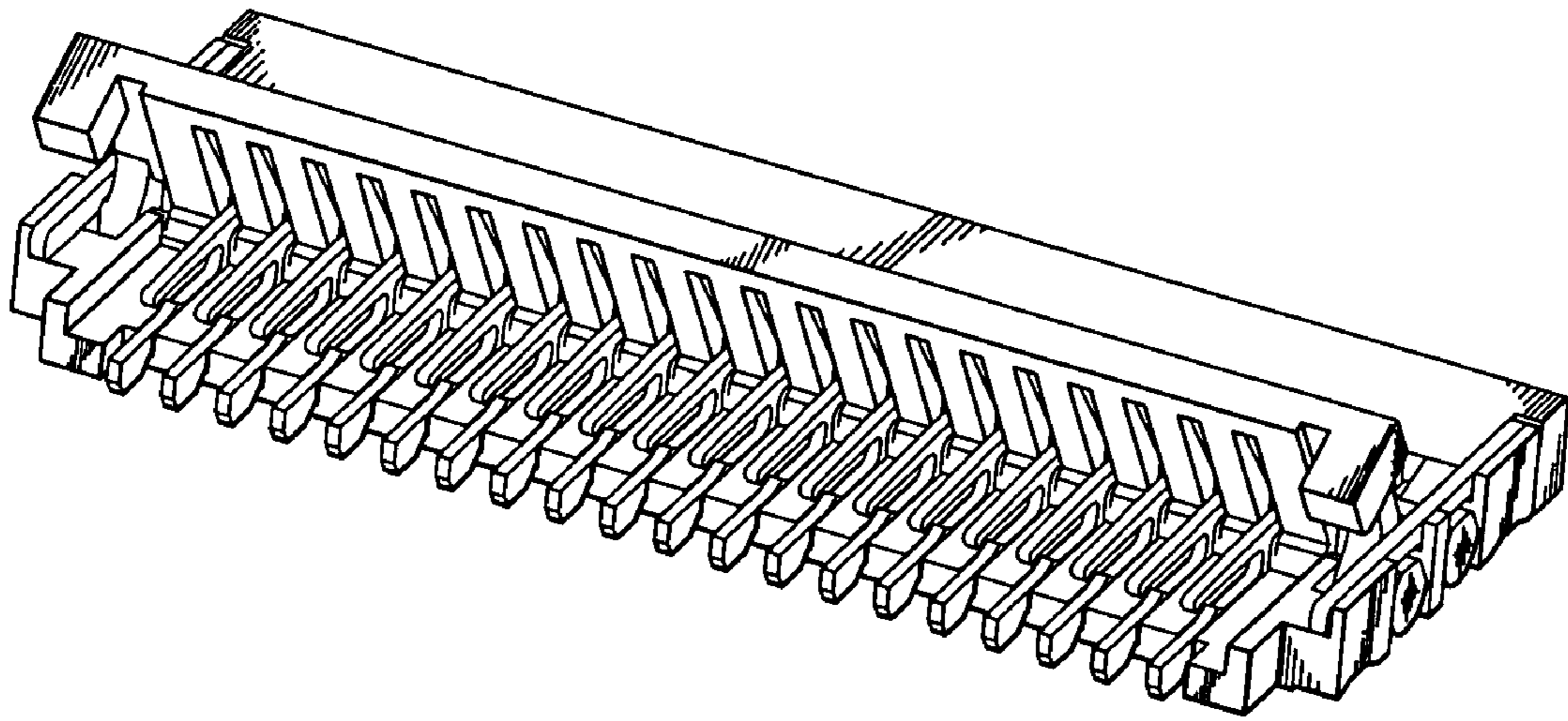


FIG. 9