



US00D582850S

(12) **United States Design Patent**
Andre

(10) **Patent No.:** **US D582,850 S**

(45) **Date of Patent:** **** Dec. 16, 2008**

(54) **CONNECTOR**

(75) Inventor: **Hugues Andre**, Echichens (CH)

(73) Assignee: **Fischer Connectors Holding S.A.**,
Apples (CH)

(**) Term: **14 Years**

(21) Appl. No.: **29/272,616**

(22) Filed: **Feb. 13, 2007**

(30) **Foreign Application Priority Data**

Aug. 14, 2006 (CH) 133154

(51) **LOC (8) Cl.** **13-03**

(52) **U.S. Cl.** **D13/133**

(58) **Field of Classification Search** D13/133,
D13/154, 184, 199; 439/349, 675, 750, 842,
439/850-851, 889, 948

See application file for complete search history.

(56) **References Cited**

U.S. PATENT DOCUMENTS

D243,698 S * 3/1977 Gietzen D13/133

D320,192 S * 9/1991 Sisk D13/133

D399,189 S * 10/1998 Lin D13/146

D424,020 S * 5/2000 Fischer D13/146
D500,475 S * 1/2005 Noro et al. D13/133
D544,444 S * 6/2007 Yamada D13/147
2005/0161246 A1 * 7/2005 Khemakhem et al. 174/75 C

* cited by examiner

Primary Examiner—Daniel D Bui

(74) *Attorney, Agent, or Firm*—Nixon & Vanderhye, P.C.

(57) **CLAIM**

The ornamental design for “connector,” as shown and described.

DESCRIPTION

FIG. 1 is a top plan view of a connector showing my new design;

FIG. 2 is a front elevation view thereof;

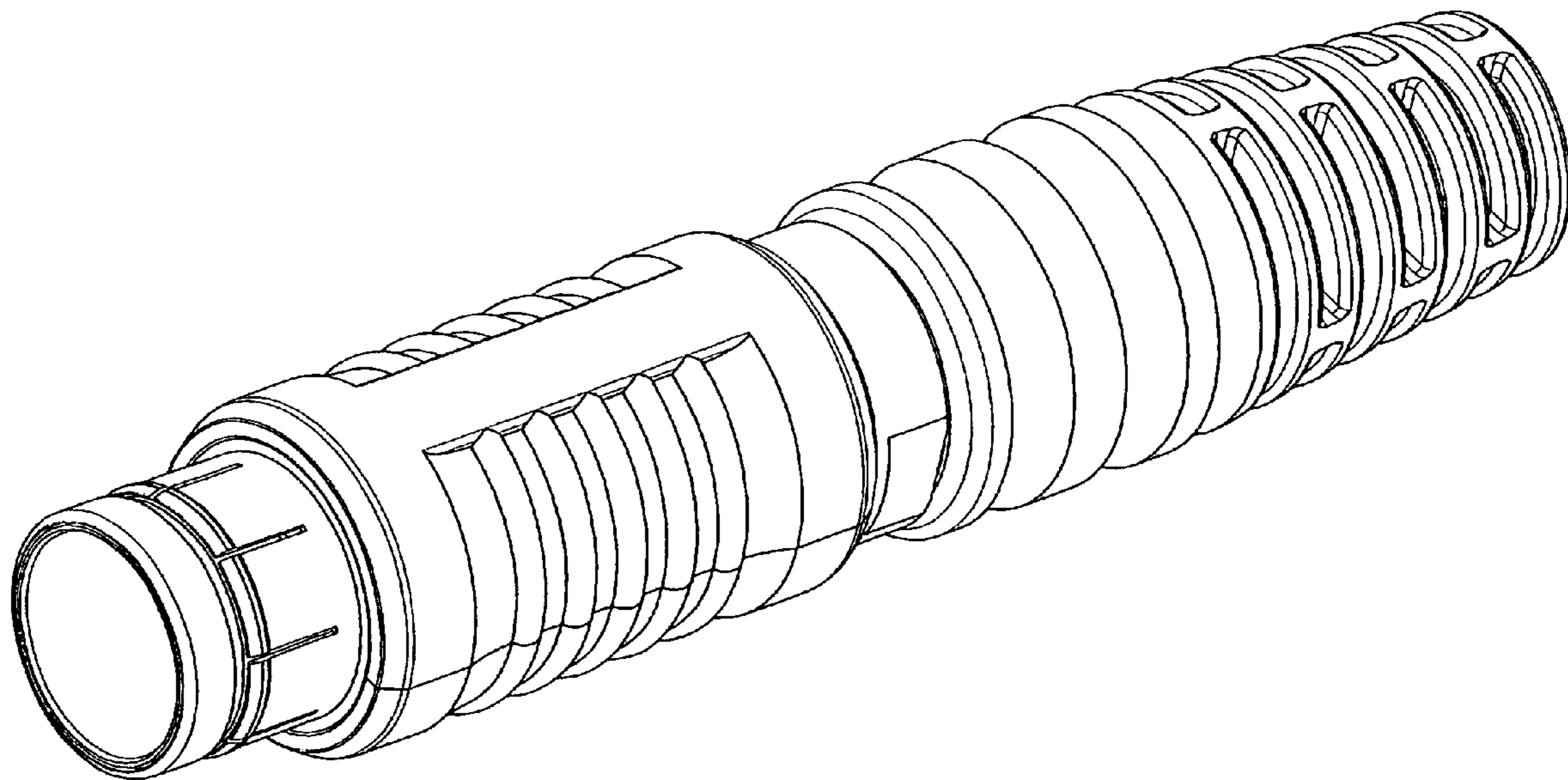
FIG. 3 is a left, top and front perspective view thereof;

FIG. 4 is a right side elevational view thereof; and,

FIG. 5 is a left side elevational view thereof.

The broken line of internal elements is included to show unclaimed subject matter only and forms no part of the claimed design.

1 Claim, 4 Drawing Sheets



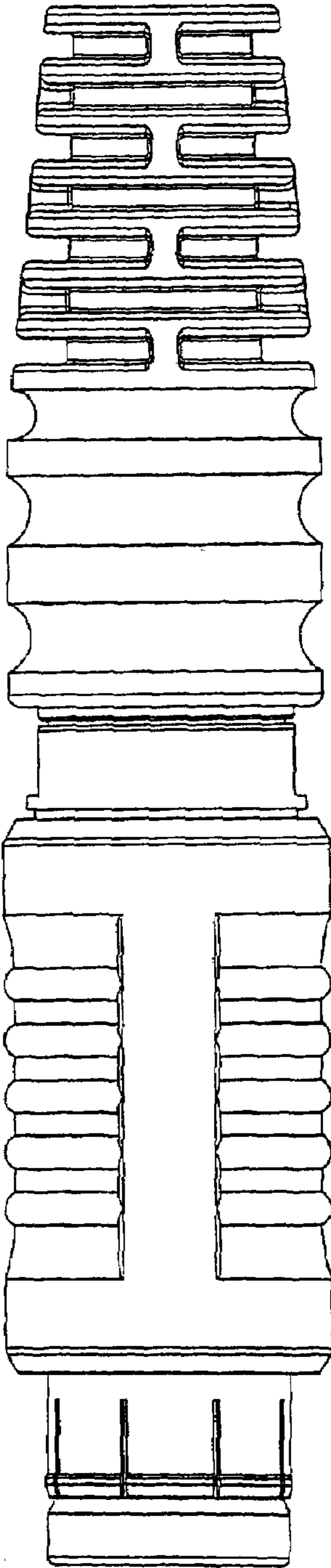


Fig. 1

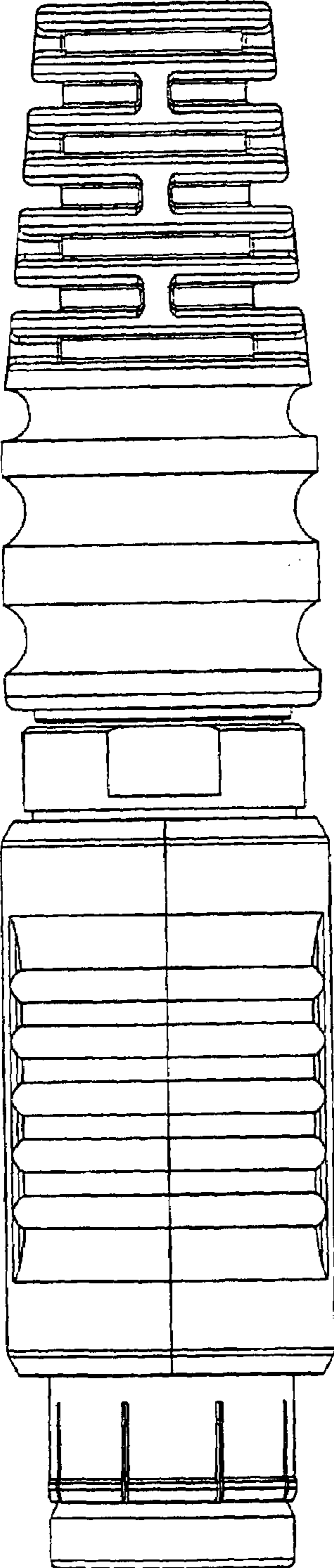


Fig. 2

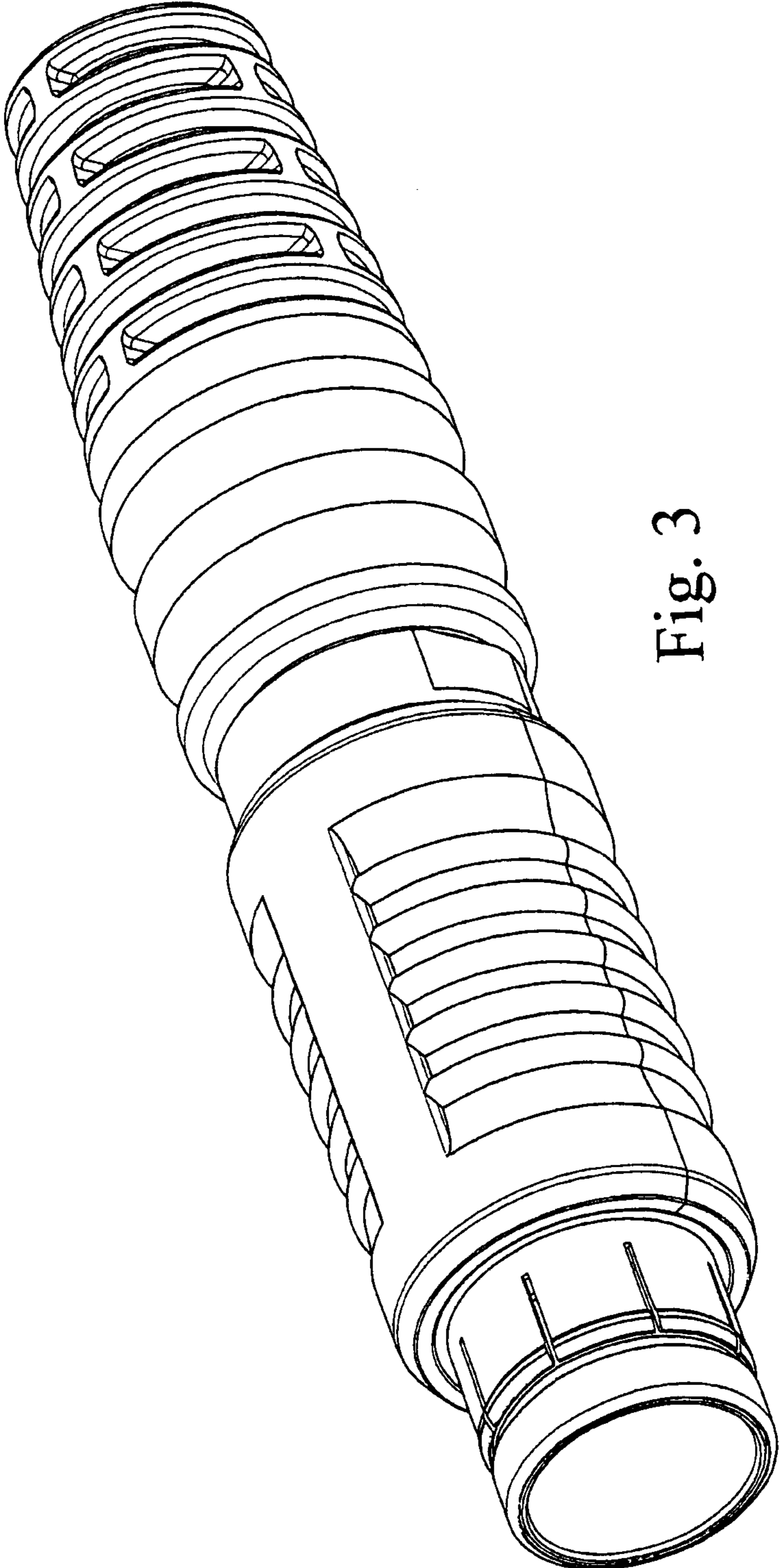


Fig. 3

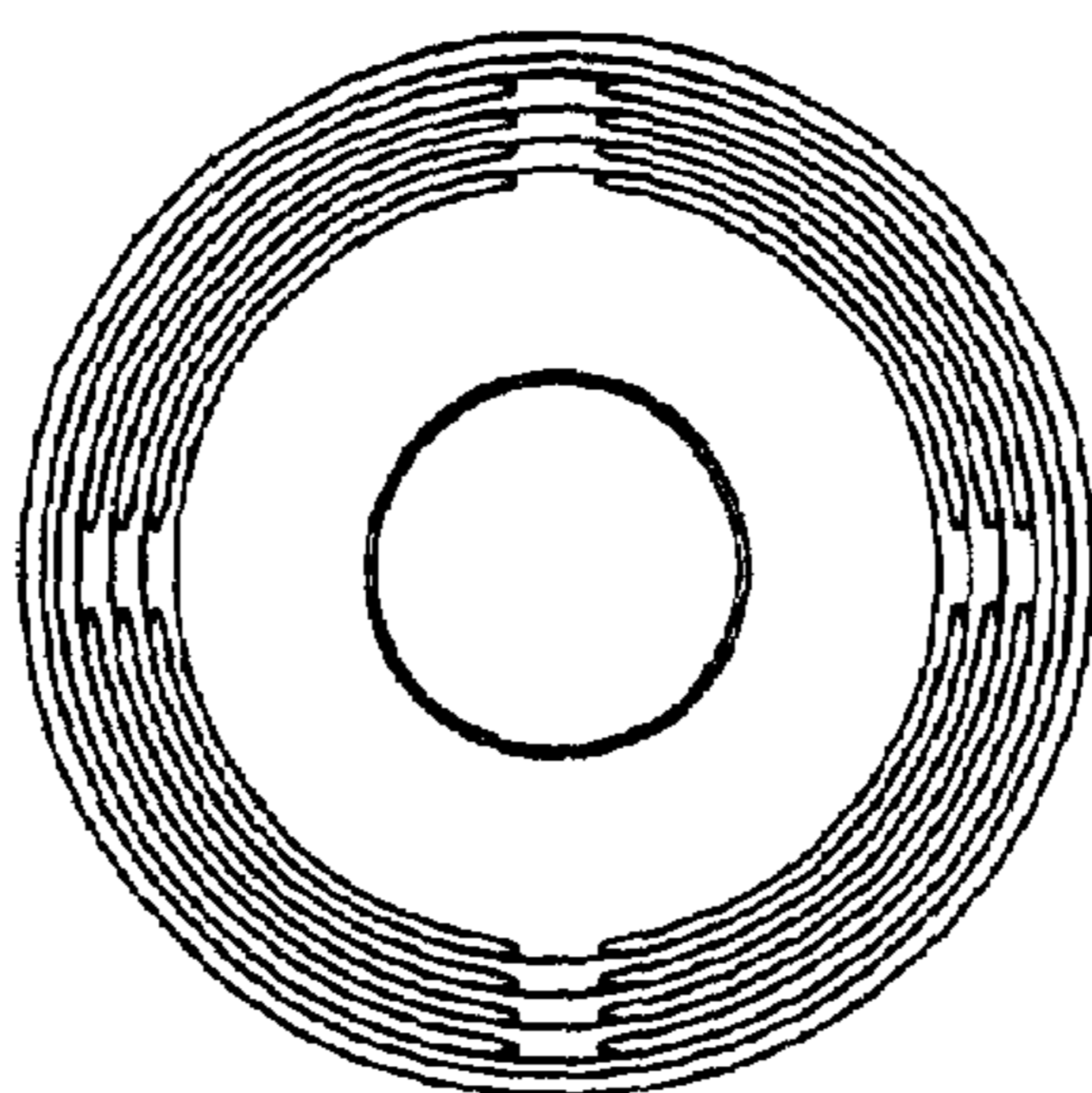


Fig. 4

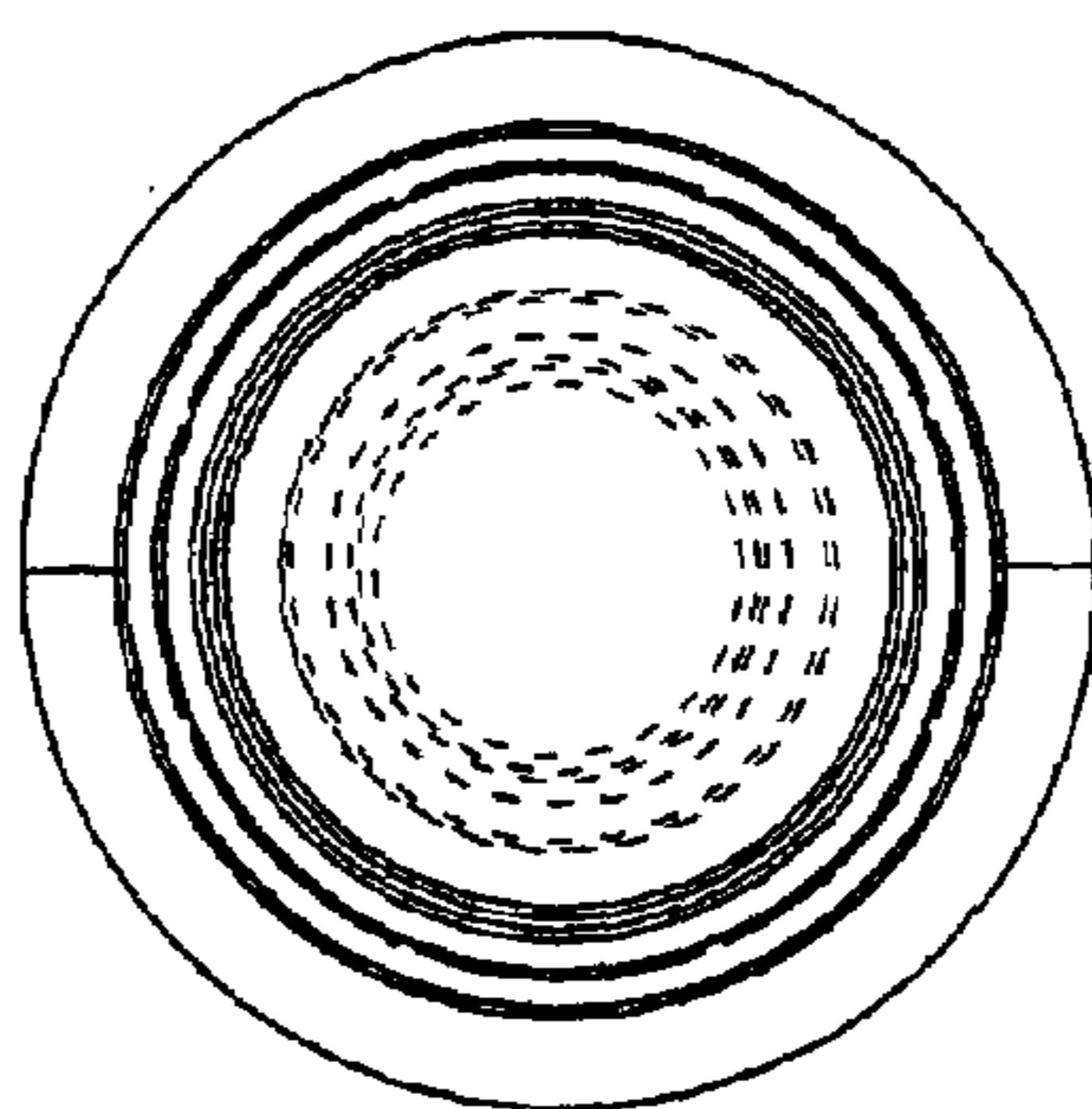


Fig. 5