



US00D582849S

(12) **United States Design Patent**
Kuo

(10) **Patent No.:** **US D582,849 S**
(45) **Date of Patent:** **** Dec. 16, 2008**

- (54) **CABLE CONNECTOR ASSEMBLY**
- (75) Inventor: **Peter Kuo**, Tu-cheng (TW)
- (73) Assignee: **Hon Hai Precision Ind. Co., Ltd.**,
Taipei Hsien (TW)
- (**) Term: **14 Years**
- (21) Appl. No.: **29/271,708**
- (22) Filed: **Jan. 25, 2007**
- (30) **Foreign Application Priority Data**
Jul. 25, 2006 (CN) 2006 3 0126603
- (51) **LOC (8) Cl.** **13-03**
- (52) **U.S. Cl.** **D13/133**
- (58) **Field of Classification Search** D13/133,
D13/153, 154, 174, 184, 199; 439/578, 675,
439/668, 669, 750, 851, 889
See application file for complete search history.

- D374,862 S * 10/1996 Lee D13/133
- D376,580 S * 12/1996 Lee D13/133
- D528,507 S * 9/2006 Brown et al. D13/133
- D546,285 S * 7/2007 Ledbetter et al. D13/133

* cited by examiner

Primary Examiner—Daniel D Bui
Assistant Examiner—Thomas J Johannes
(74) *Attorney, Agent, or Firm*—Wei Te Chung

(57) **CLAIM**

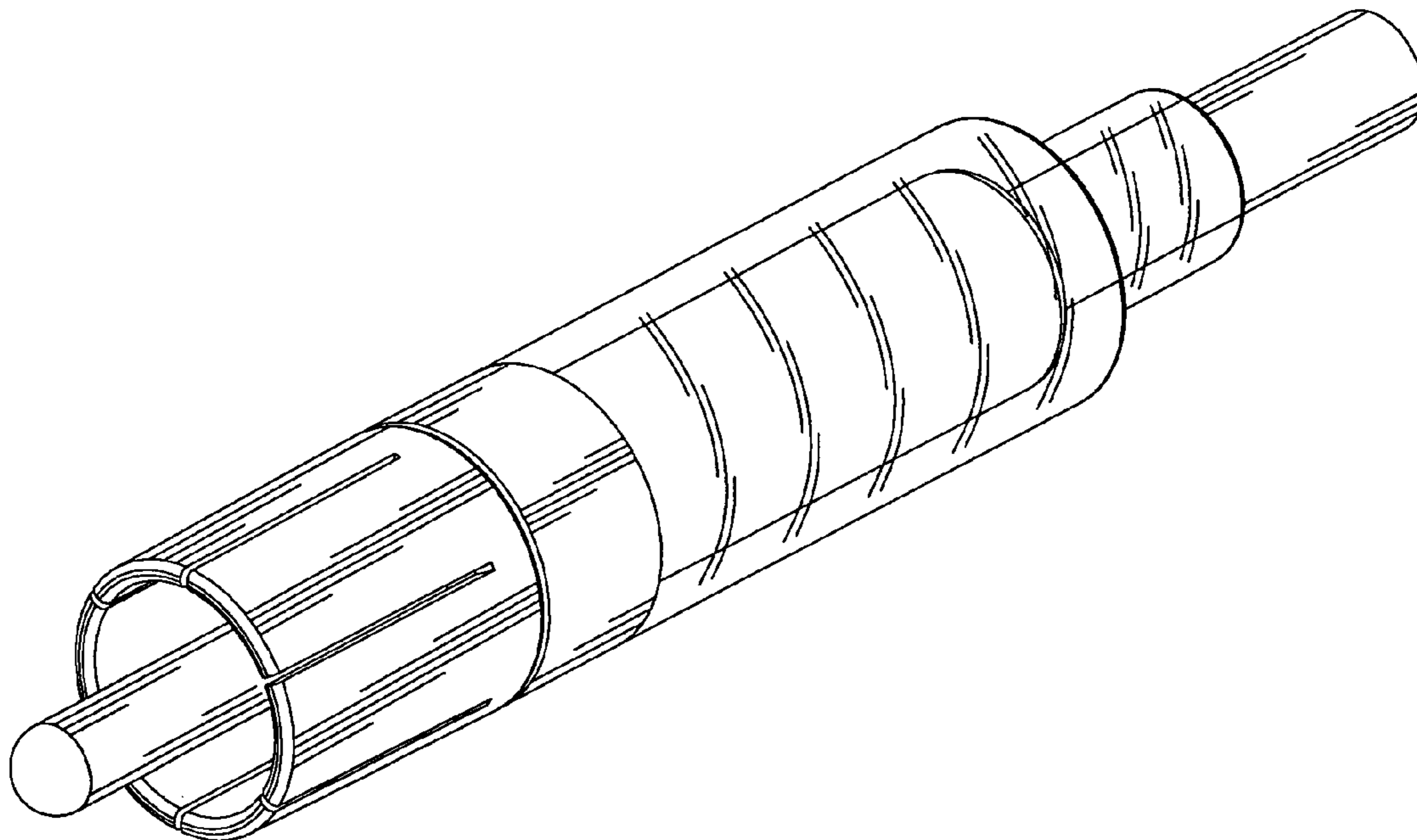
The ornamental design for a cable connector assembly, as shown.

DESCRIPTION

FIG. 1 is a front, top and right side perspective view of a cable connector assembly with a transparent part showing my new design;
FIG. 2 is a front elevational view of FIG. 1;
FIG. 3 is a rear elevational view of FIG. 1;
FIG. 4 is a left side elevational view of FIG. 1;
FIG. 5 is a right side elevational view of FIG. 1;
FIG. 6 is a top plan view of FIG. 1; and,
FIG. 7 is a bottom plan view of FIG. 1.

1 Claim, 7 Drawing Sheets

- (56) **References Cited**
U.S. PATENT DOCUMENTS
4,129,352 A * 12/1978 Iizuka 439/675
D366,862 S * 2/1996 Lee D13/133
D371,762 S * 7/1996 Lee D13/133
5,556,292 A * 9/1996 Kato et al. 439/218



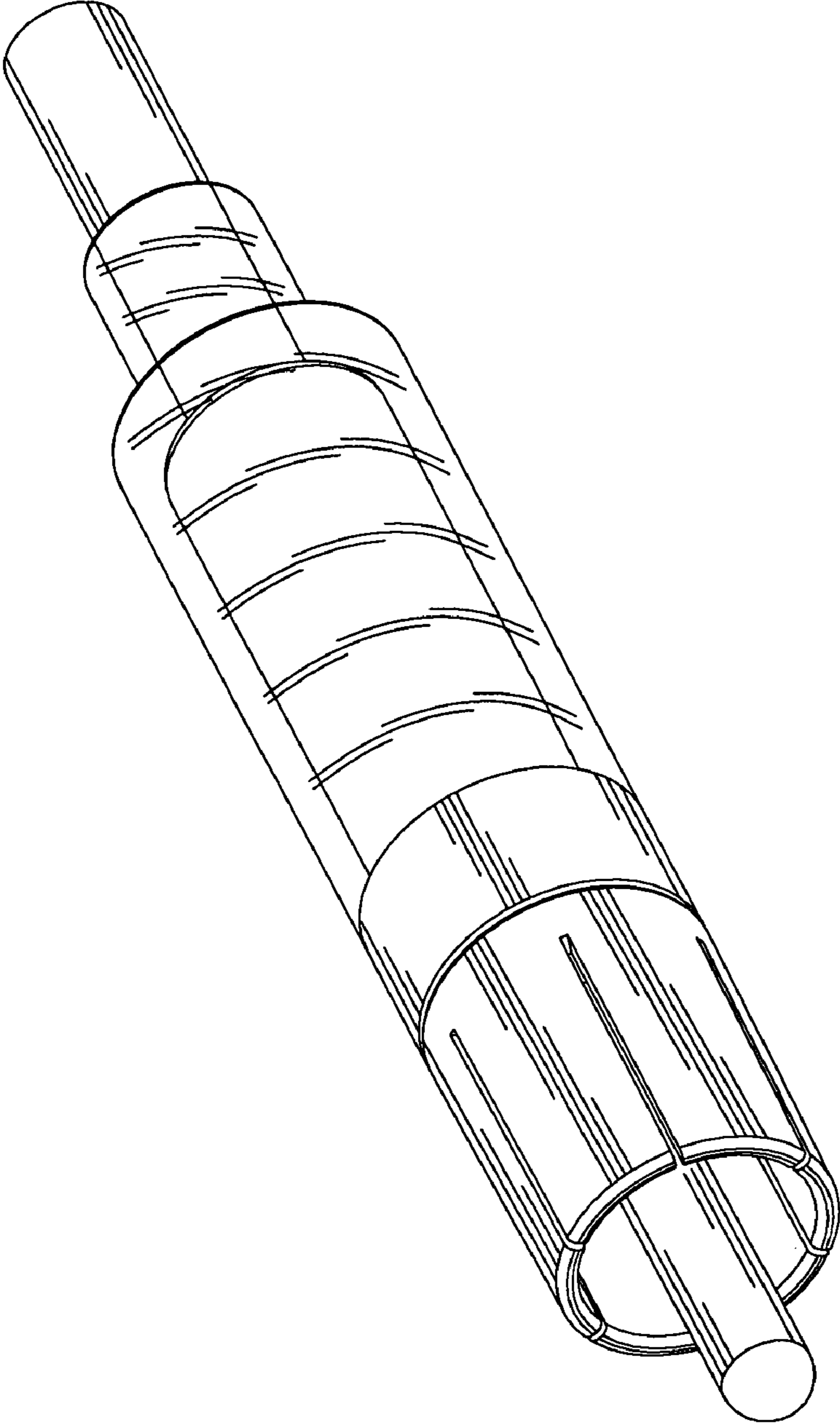


FIG. 1

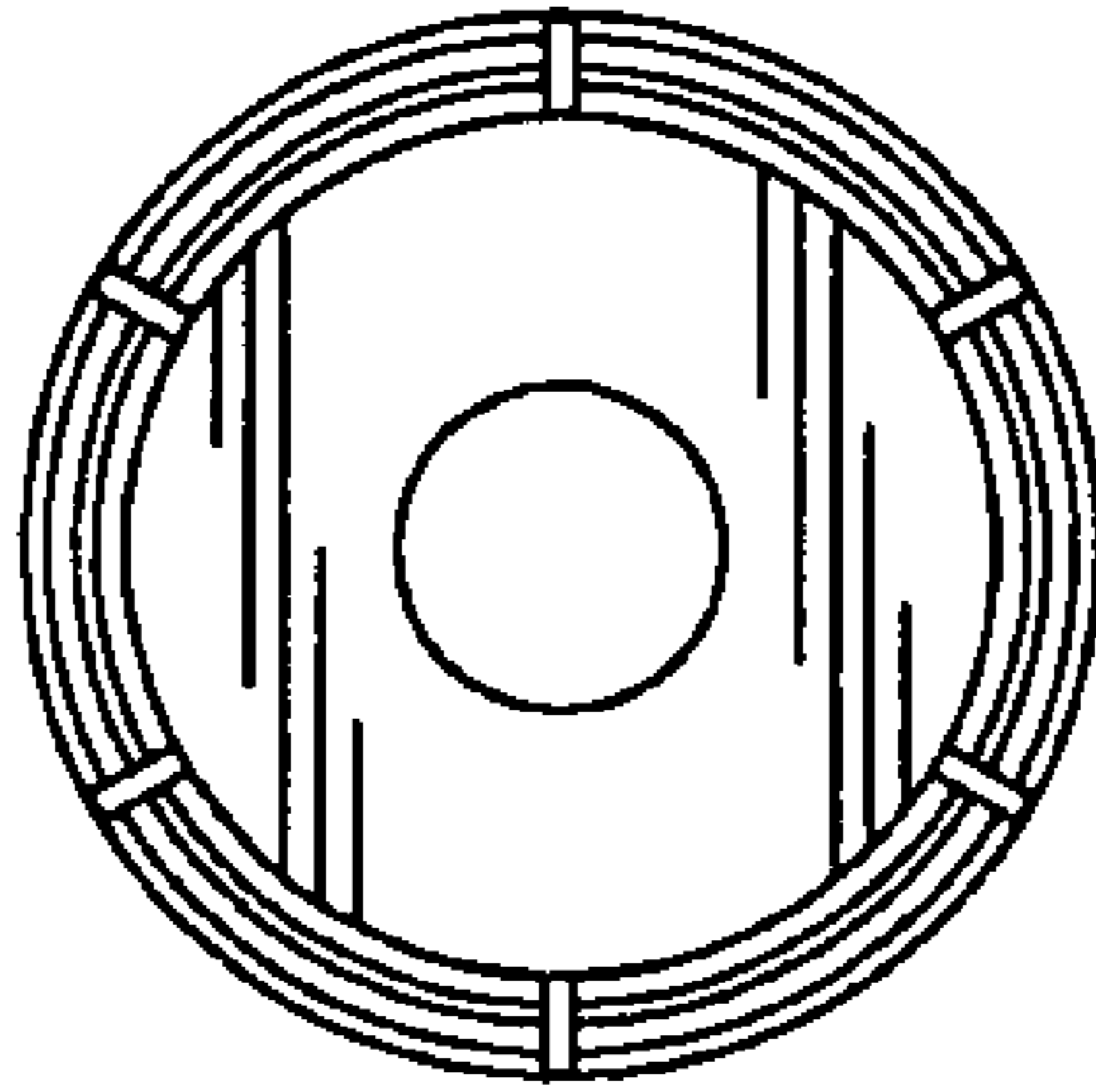


FIG. 2

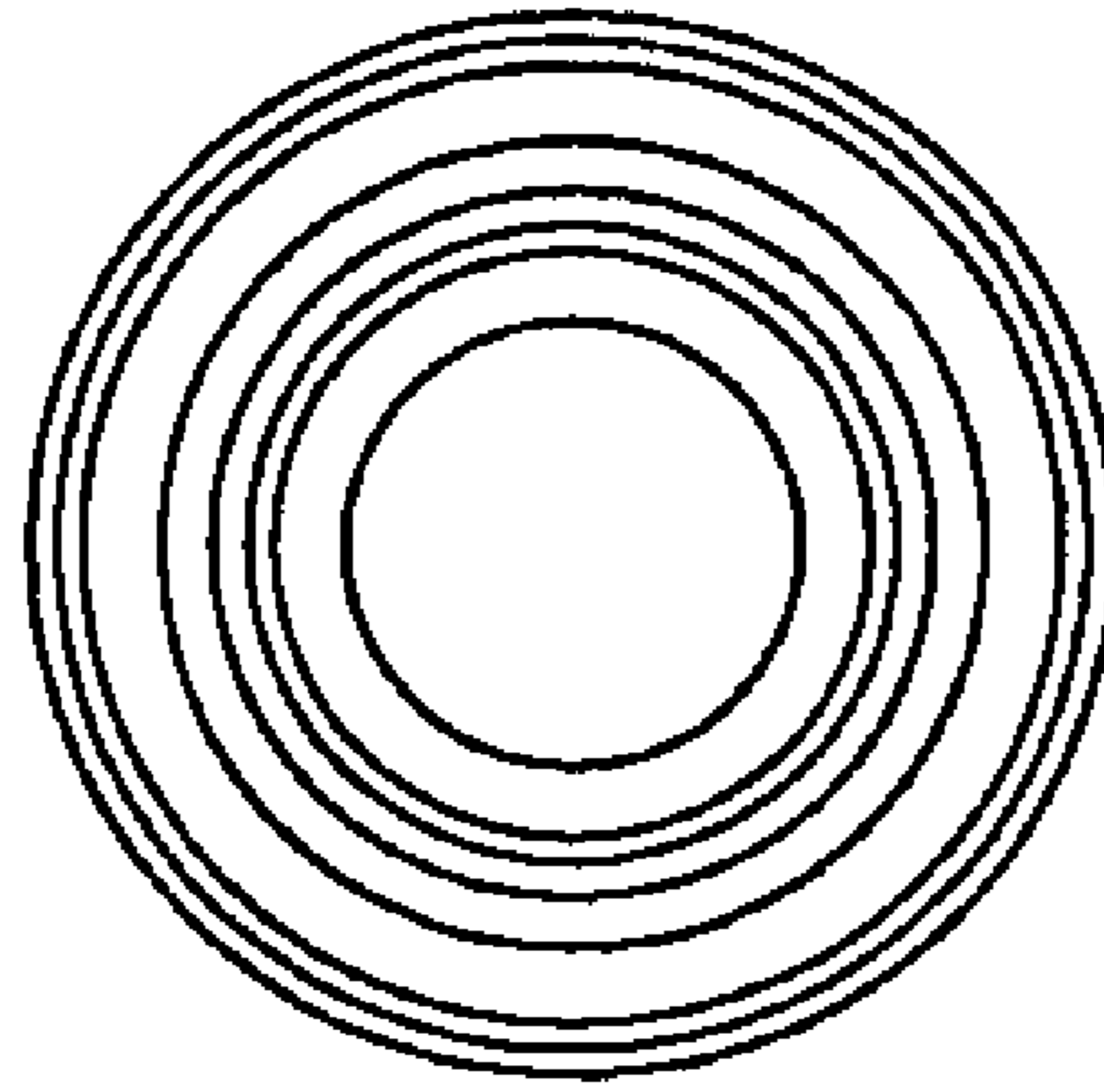


FIG. 3

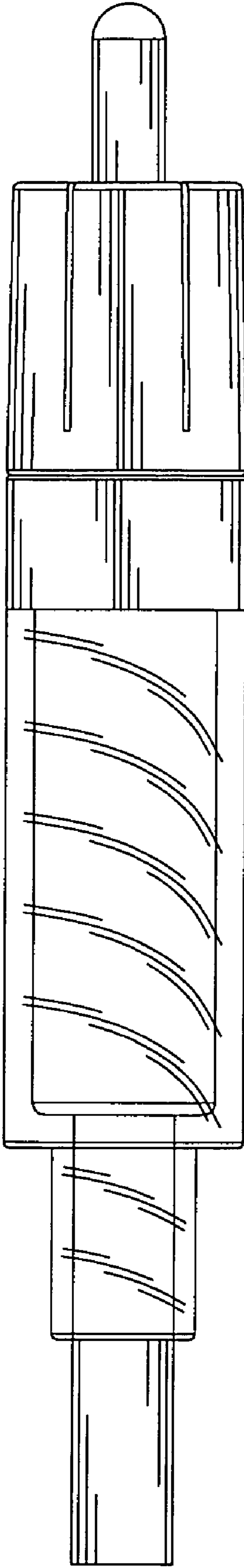


FIG. 4

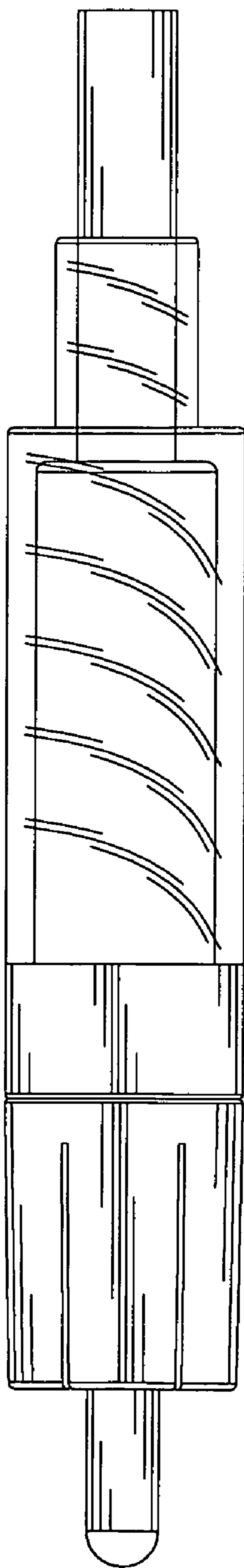


FIG. 5

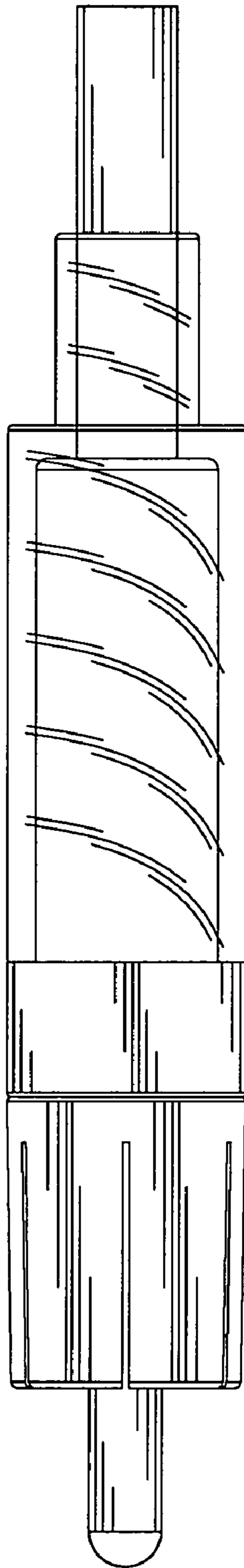


FIG. 6

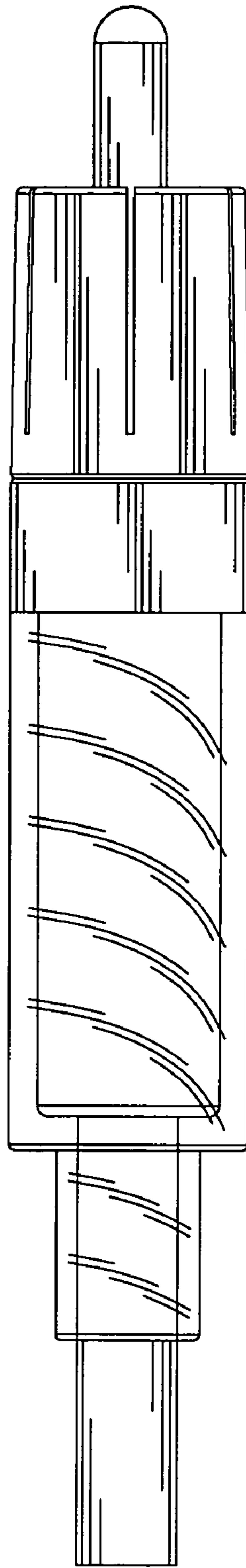


FIG. 7