



US00D582843S

(12) **United States Design Patent**
Linardos

(10) **Patent No.:** **US D582,843 S**
(45) **Date of Patent:** **** Dec. 16, 2008**

(54) **BATTERY**

(75) Inventor: **George Linardos**, Rowville (AU)

(73) Assignee: **Top Gun Pty Ltd.** (AU)

(**) Term: **14 Years**

(21) Appl. No.: **29/282,309**

(22) Filed: **Jul. 16, 2007**

(30) **Foreign Application Priority Data**

Jun. 14, 2007 (AU) 18379/2007

(51) **LOC (8) Cl.** **13-02**

(52) **U.S. Cl.** **D13/103**

(58) **Field of Classification Search** D13/102–106,
D13/110, 118–119, 184; 429/96–100, 163,
429/176

See application file for complete search history.

(56) **References Cited**

U.S. PATENT DOCUMENTS

D345,727 S *	4/1994	Flowers et al.	D13/103
D413,565 S *	9/1999	Nakayama	D13/103
D413,858 S *	9/1999	Murakami et al.	D13/103
D427,140 S *	6/2000	Luh et al.	D13/103
D427,964 S *	7/2000	Smith et al.	D13/103
D428,385 S *	7/2000	Luh et al.	D13/103
D459,297 S *	6/2002	Searle	D13/103

D481,993 S *	11/2003	Searle	D13/103
D539,216 S *	3/2007	Hamaguchi	D13/103
D539,217 S *	3/2007	Hamaguchi	D13/103
D543,143 S *	5/2007	Hamaguchi	D13/103
D550,612 S *	9/2007	Harada et al.	D13/103
2006/0275656 A1 *	12/2006	Feddrix et al.	429/179

* cited by examiner

Primary Examiner—Cathron Brooks

Assistant Examiner—Rosemary K Tarcza

(74) *Attorney, Agent, or Firm*—Pauly, DeVries, Smith & Deffner, LLC

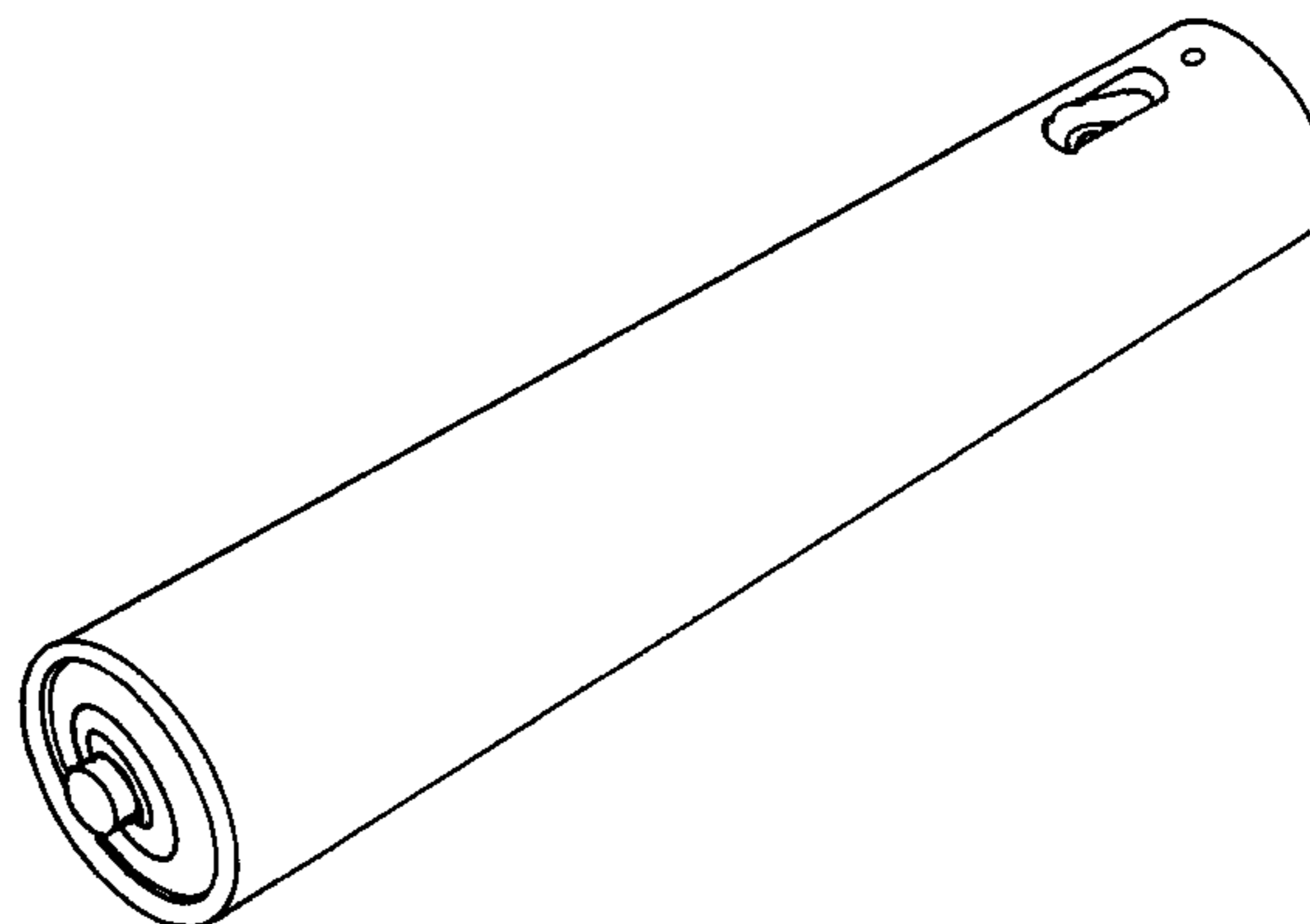
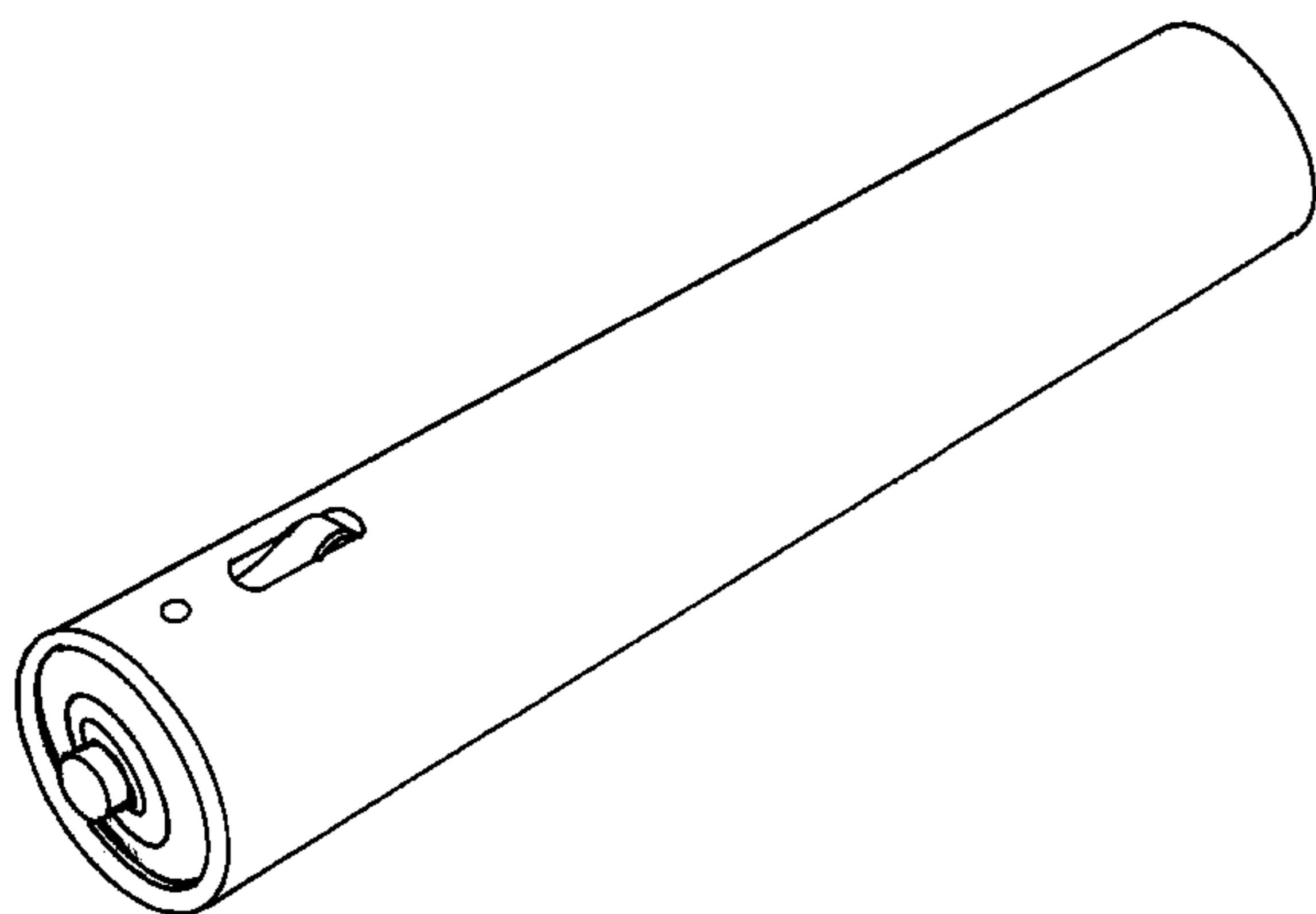
(57) **CLAIM**

I claim the ornamental design for a battery, as shown and described.

DESCRIPTION

FIG. 1 is a top view of a battery showing my new design;
FIG. 2 is a bottom view of the same;
FIG. 3 is a front view of the same;
FIG. 4 is a back view of the same;
FIG. 5 is a left side view of the same;
FIG. 6 is a right side view of the same;
FIG. 7 is a left perspective of the same; and,
FIG. 8 is a right perspective view of the same.

1 Claim, 4 Drawing Sheets



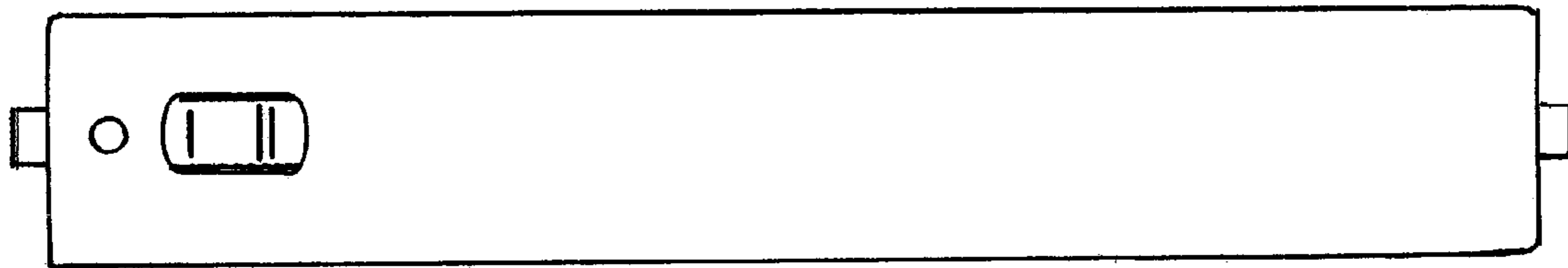


FIG. 1

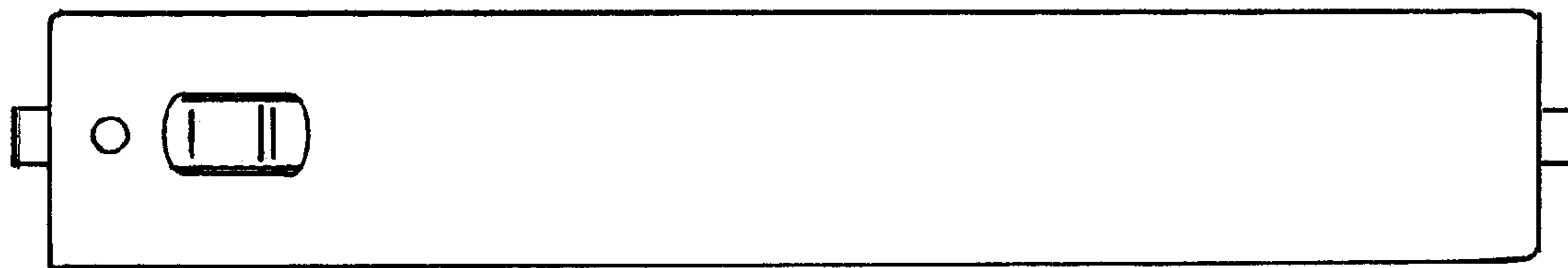


FIG. 2

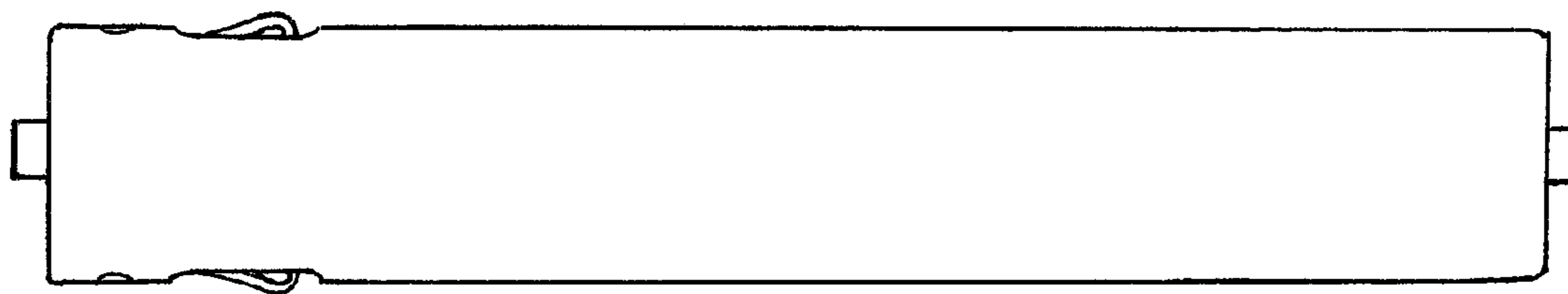


FIG. 3

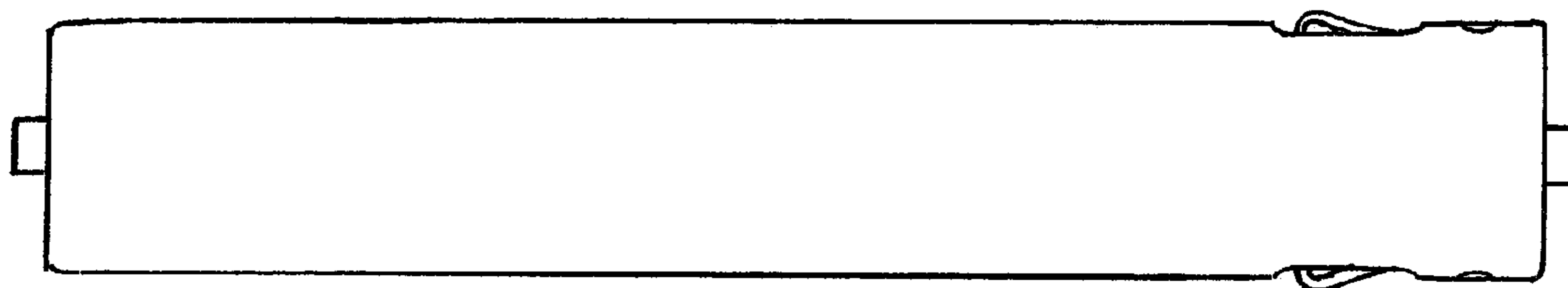


FIG. 4

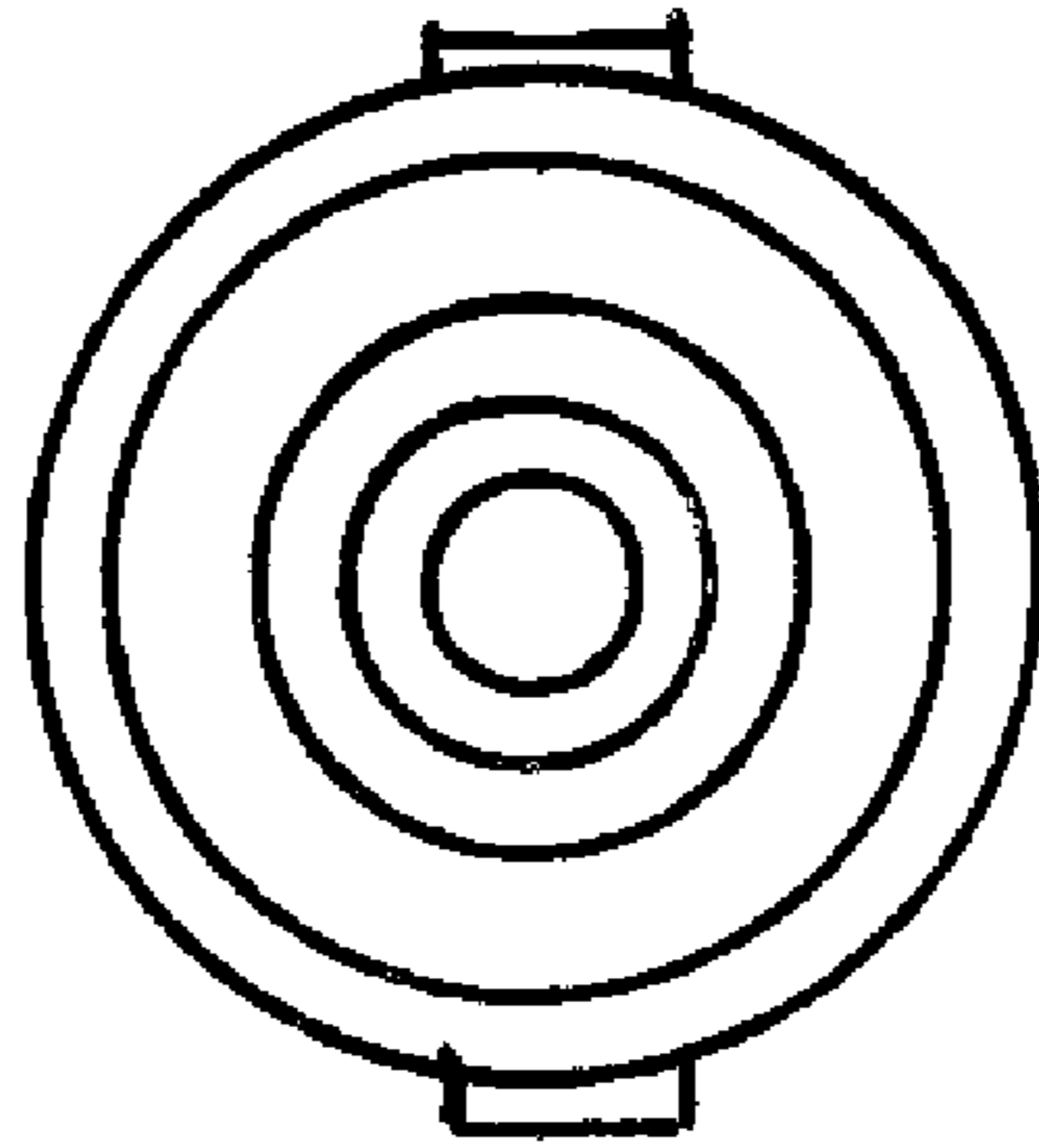


FIG. 5

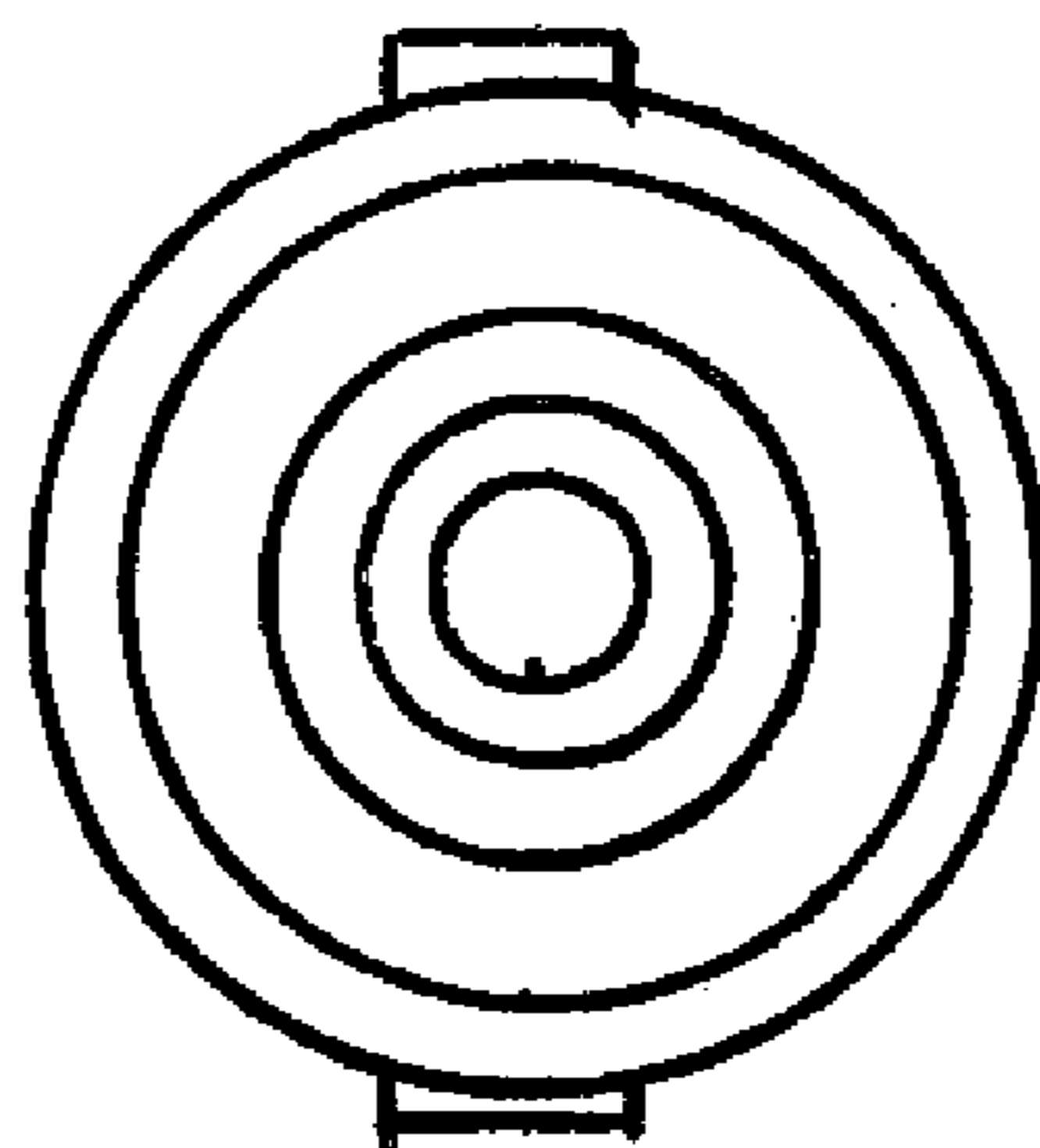


FIG. 6

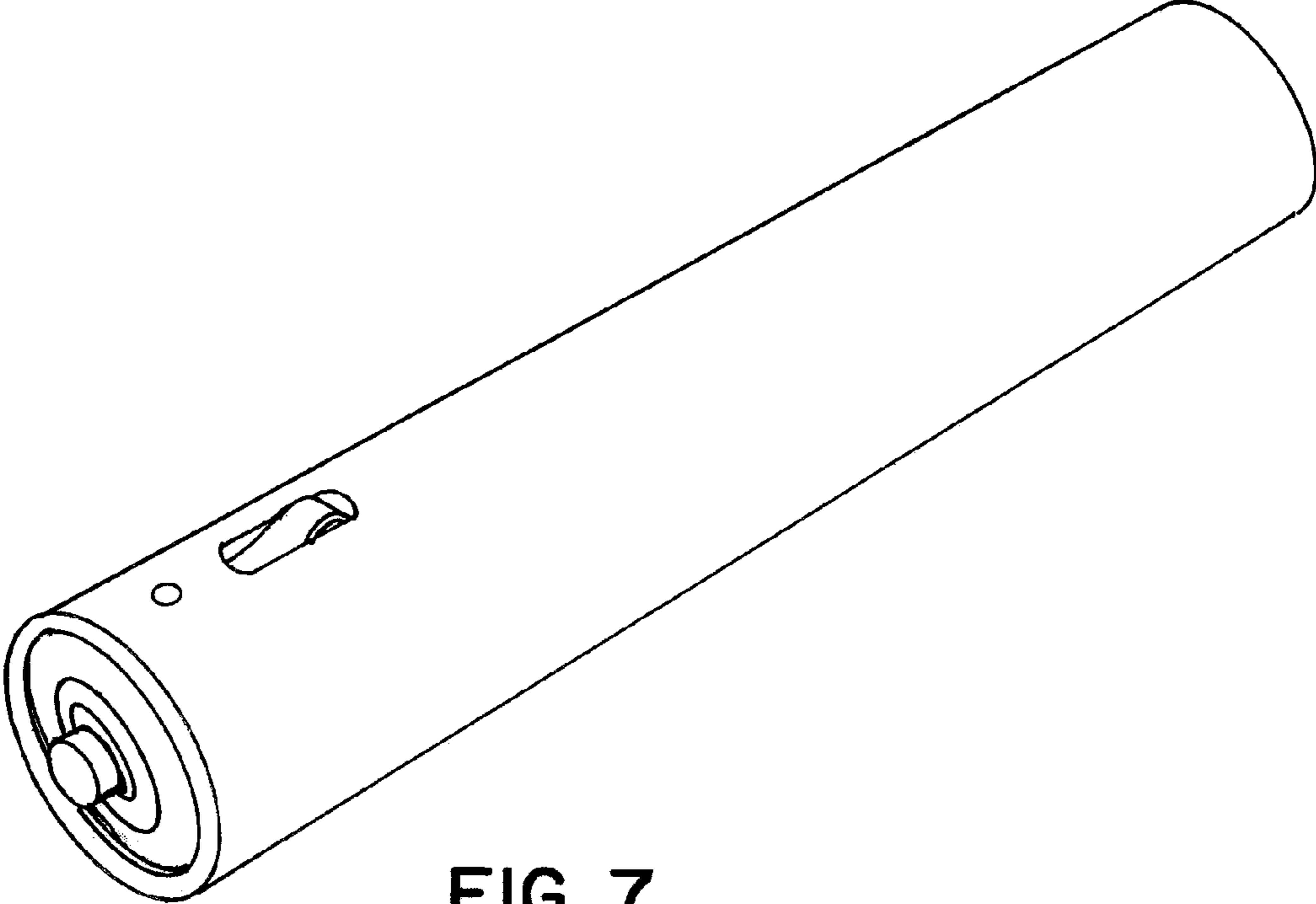


FIG. 7

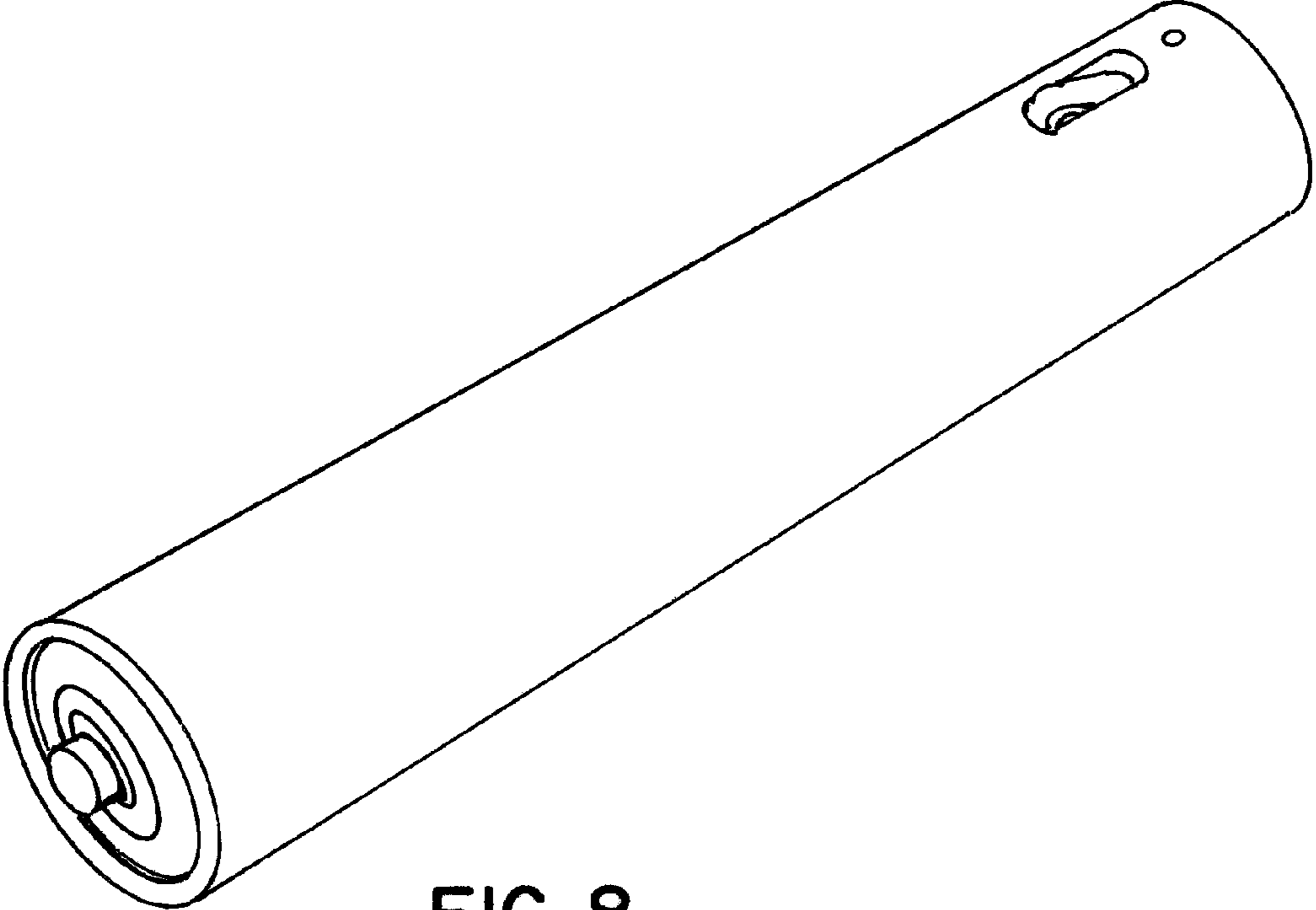


FIG. 8