



US00D582841S

(12) **United States Design Patent**
Kohara et al.

(10) **Patent No.:** **US D582,841 S**

(45) **Date of Patent:** **** Dec. 16, 2008**

(54) **TIRE FOR AUTOMOBILE**

(75) Inventors: **Kei Kohara**, Osaka (JP); **Takeshi Imakita**, Osaka (JP); **Izumi Saiwaki**, Hyogo (JP)

(73) Assignee: **The Goodyear Tire & Rubber Company**, Akron, OH (US)

(**) Term: **14 Years**

(21) Appl. No.: **29/265,510**

(22) Filed: **Sep. 1, 2006**

(30) **Foreign Application Priority Data**

Mar. 16, 2006 (JP) 2006-006650
Mar. 16, 2006 (JP) 2006-006654

(51) **LOC (8) Cl.** **12-15**

(52) **U.S. Cl.** **D12/556**

(58) **Field of Classification Search** D12/505-567;
152/209.1, 209.12, 209.18, 209.25
See application file for complete search history.

(56) **References Cited**

U.S. PATENT DOCUMENTS

D320,772 S	10/1991	Hasegawa	D12/147
D322,237 S	12/1991	Nakatani	D12/147
D400,480 S	* 11/1998	Johanning et al.	D12/555
D416,836 S	* 11/1999	Himuro	D12/556
D419,116 S	* 1/2000	Guspodin et al.	D12/550
D431,800 S	* 10/2000	Heinen et al.	D12/551
RE37,306 E	* 8/2001	Shirai et al.	D12/556
D490,363 S	* 5/2004	Miyasaka et al.	D12/551
D491,882 S	* 6/2004	Williams	D12/551
D500,731 S	* 1/2005	Lo	D12/552
D504,866 S	* 5/2005	Collette et al.	D12/553
D512,014 S	* 11/2005	Ishida et al.	D12/556

* cited by examiner

Primary Examiner—Robert M Spear
Assistant Examiner—George D Kirschbaum
(74) *Attorney, Agent, or Firm*—Richard B. O’Planick

(57) **CLAIM**

The ornamental design for a tire for automobile, as shown and described.

DESCRIPTION

FIG. 1 is a perspective view of a tire tread showing our new design, it being understood that the pattern repeats uniformly throughout the circumference of the tread;

FIG. 2 is a front elevational view thereof;

FIG. 3 is a right side elevational view thereof; the other side being a mirror image thereof;

FIG. 4 is an enlarged fragmentary front elevational view thereof;

FIG. 5 is a perspective view of an alternate embodiment of a tire tread showing our new design;

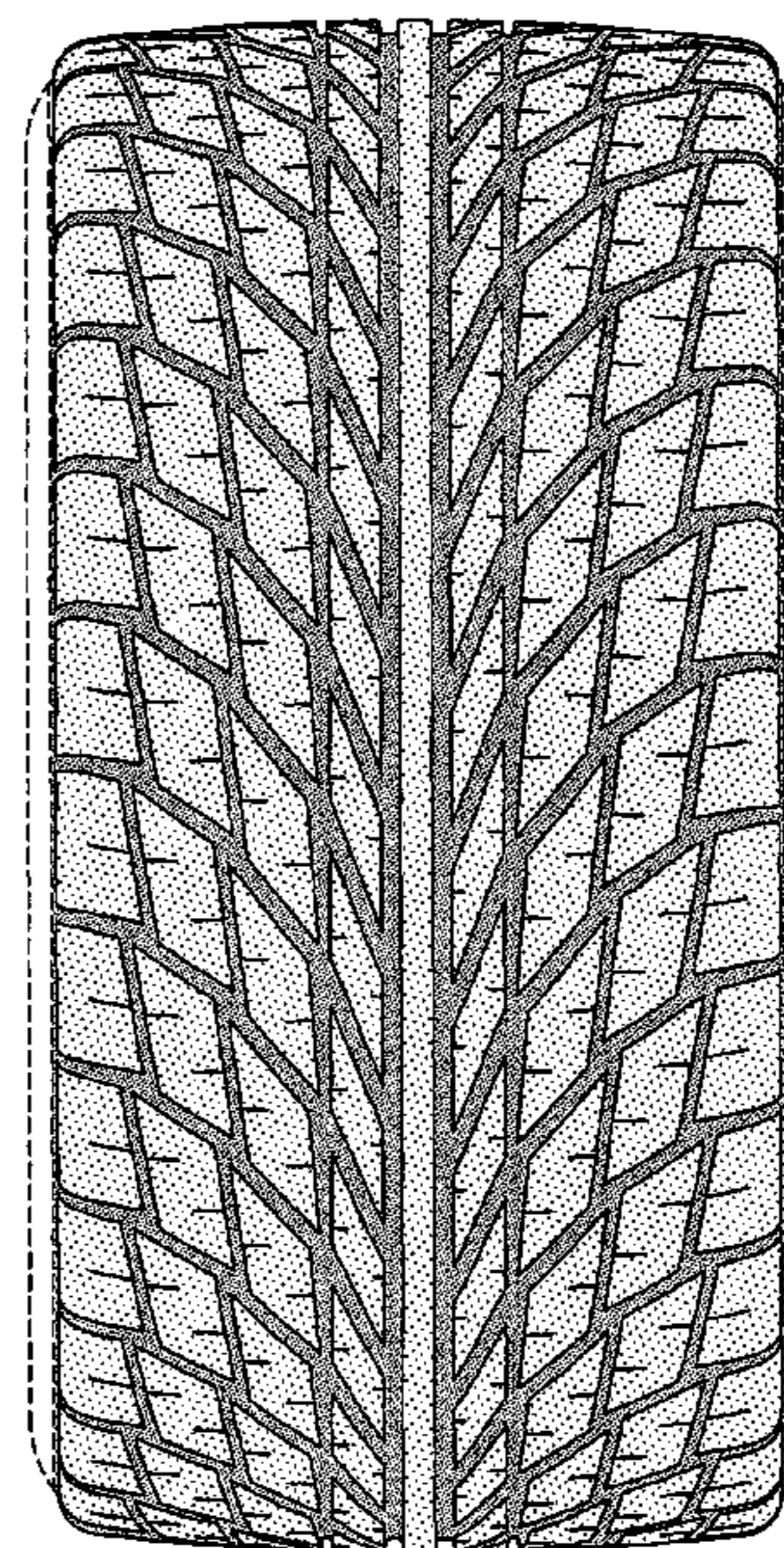
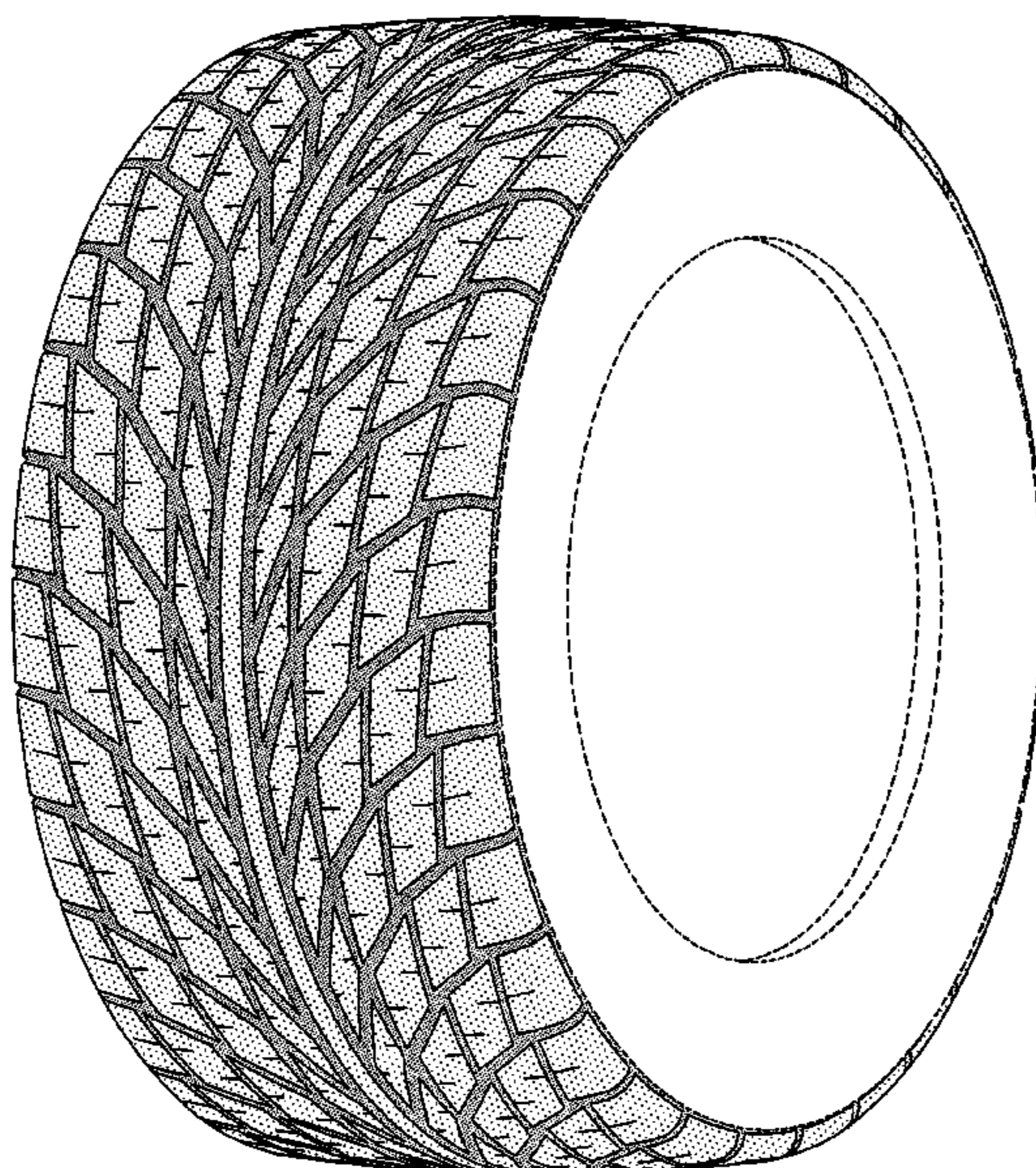
FIG. 6 is a front elevational view of the alternate embodiment; FIG. 7 is a right side elevational view of the alternate embodiment; and,

FIG. 8 is an enlarged fragmentary front elevational view of the alternate embodiment.

In the drawings, the broken lines defining the sidewall, inner bead and the peripheral boundary between the claimed tire tread and the unclaimed sidewall depict environmental subject matter that forms no part of the claimed design.

The dark stippled surface shading represents the recessed portion of the tread grooves having a depth as best shown in the top and bottom of FIG. 2.

1 Claim, 8 Drawing Sheets



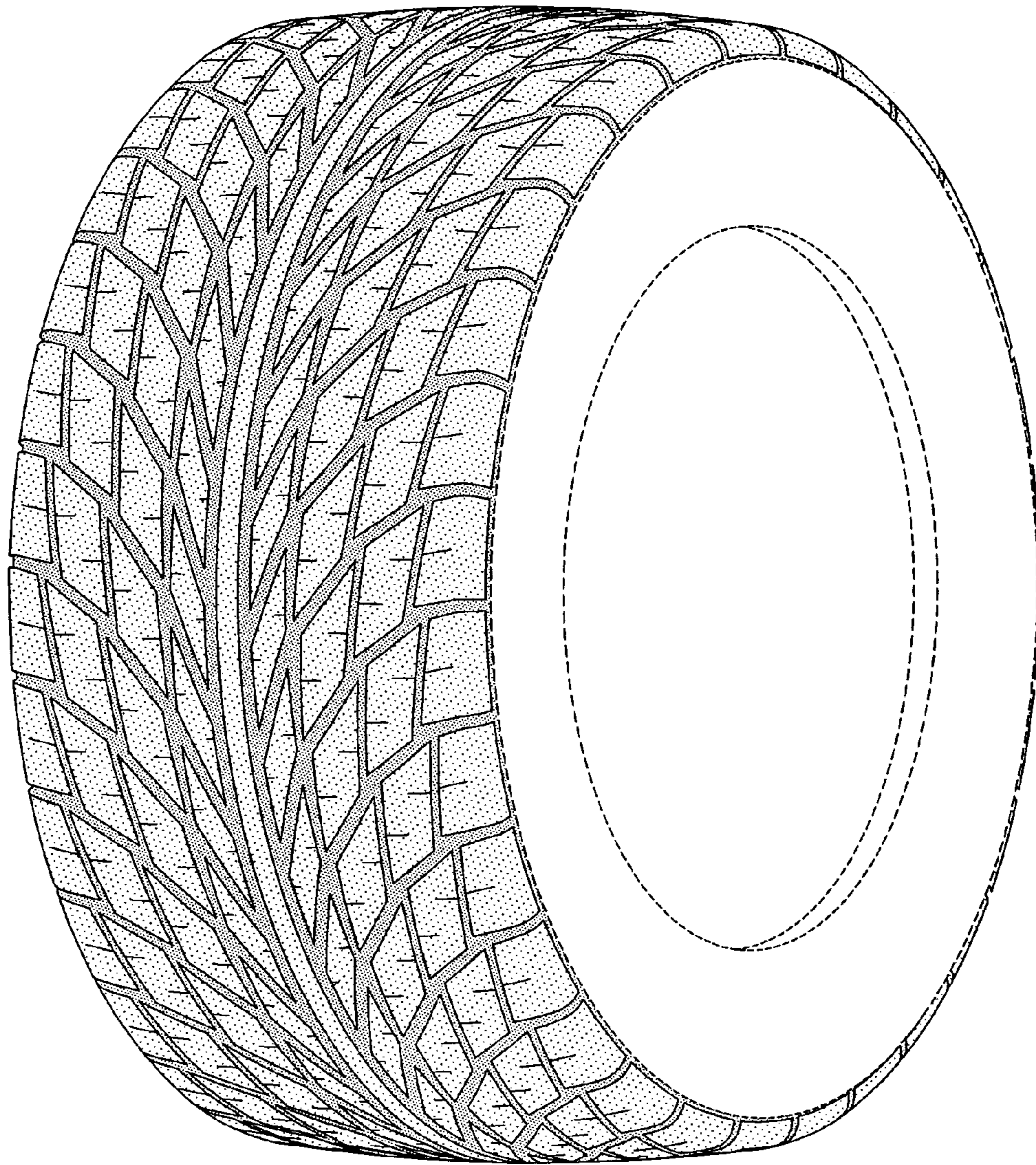


FIG-1

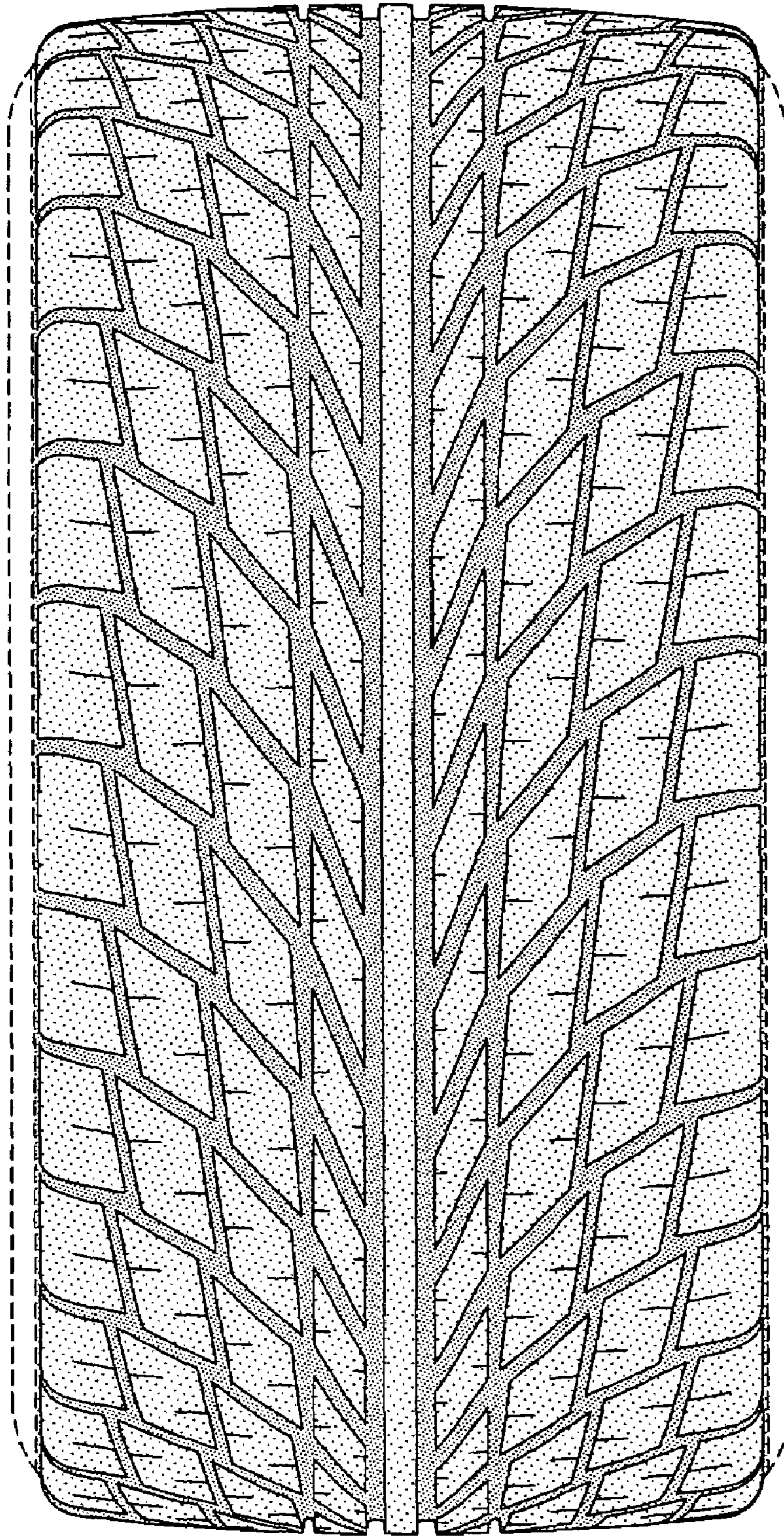


FIG-2

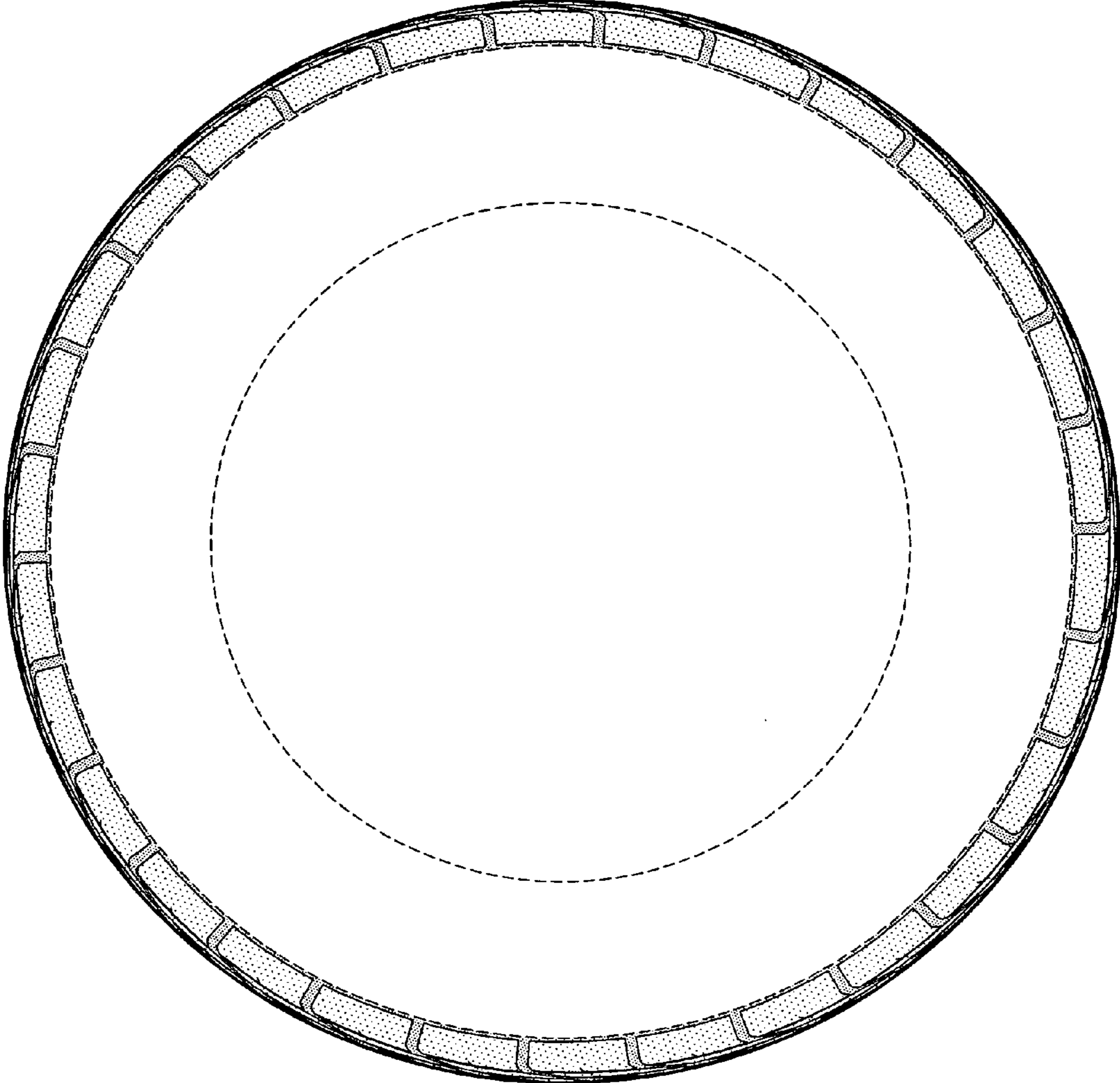


FIG-3

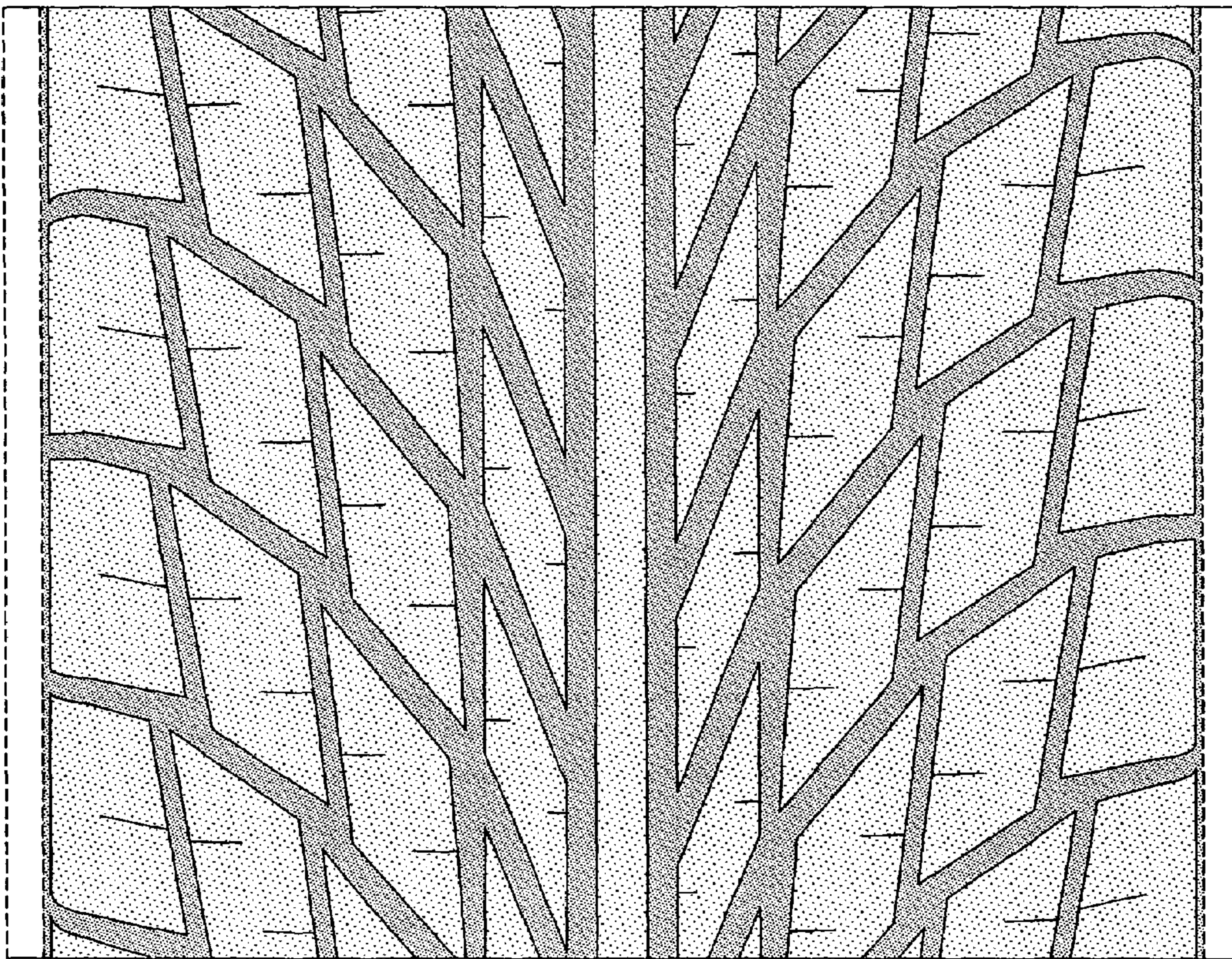


FIG-4

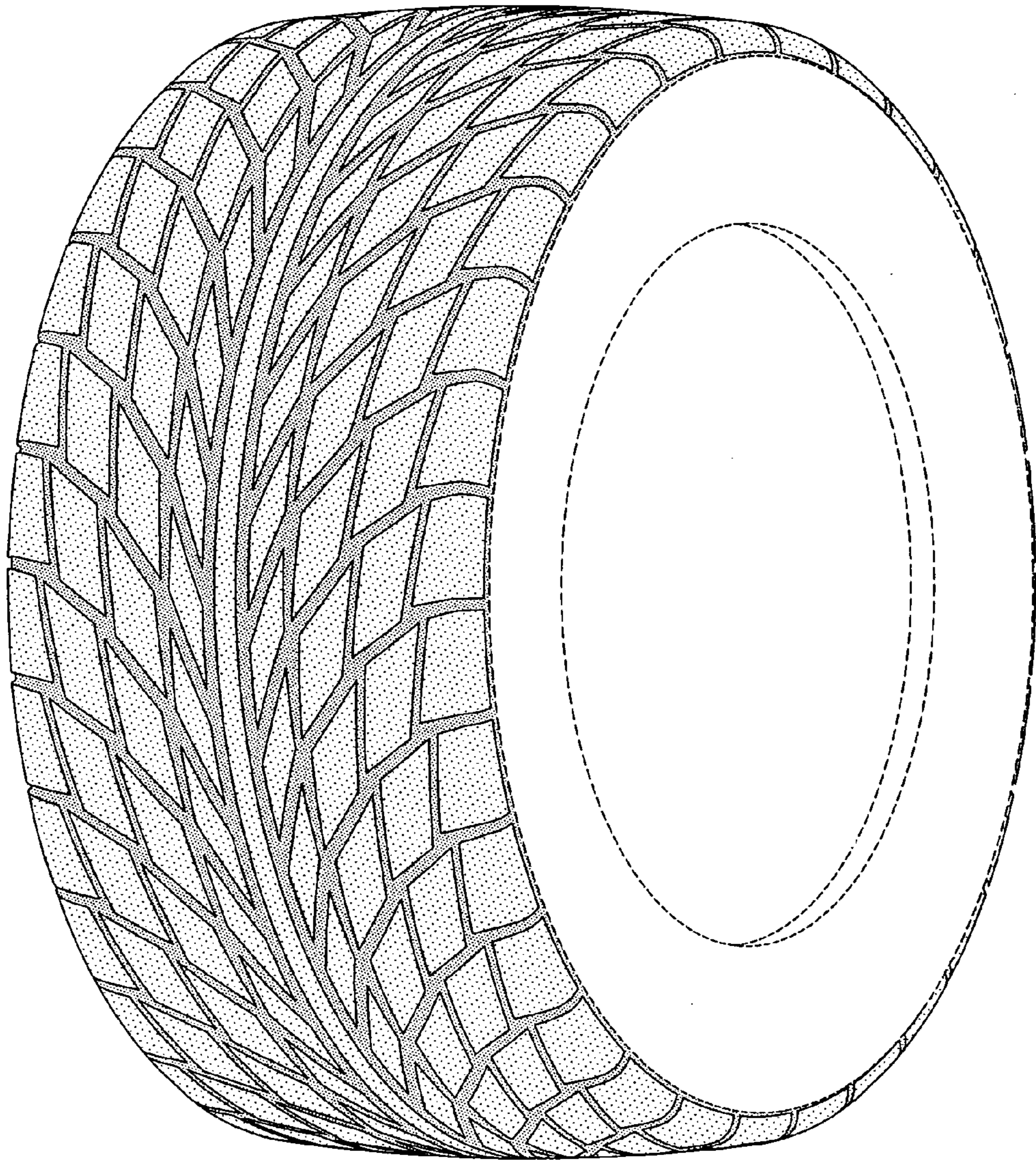


FIG-5

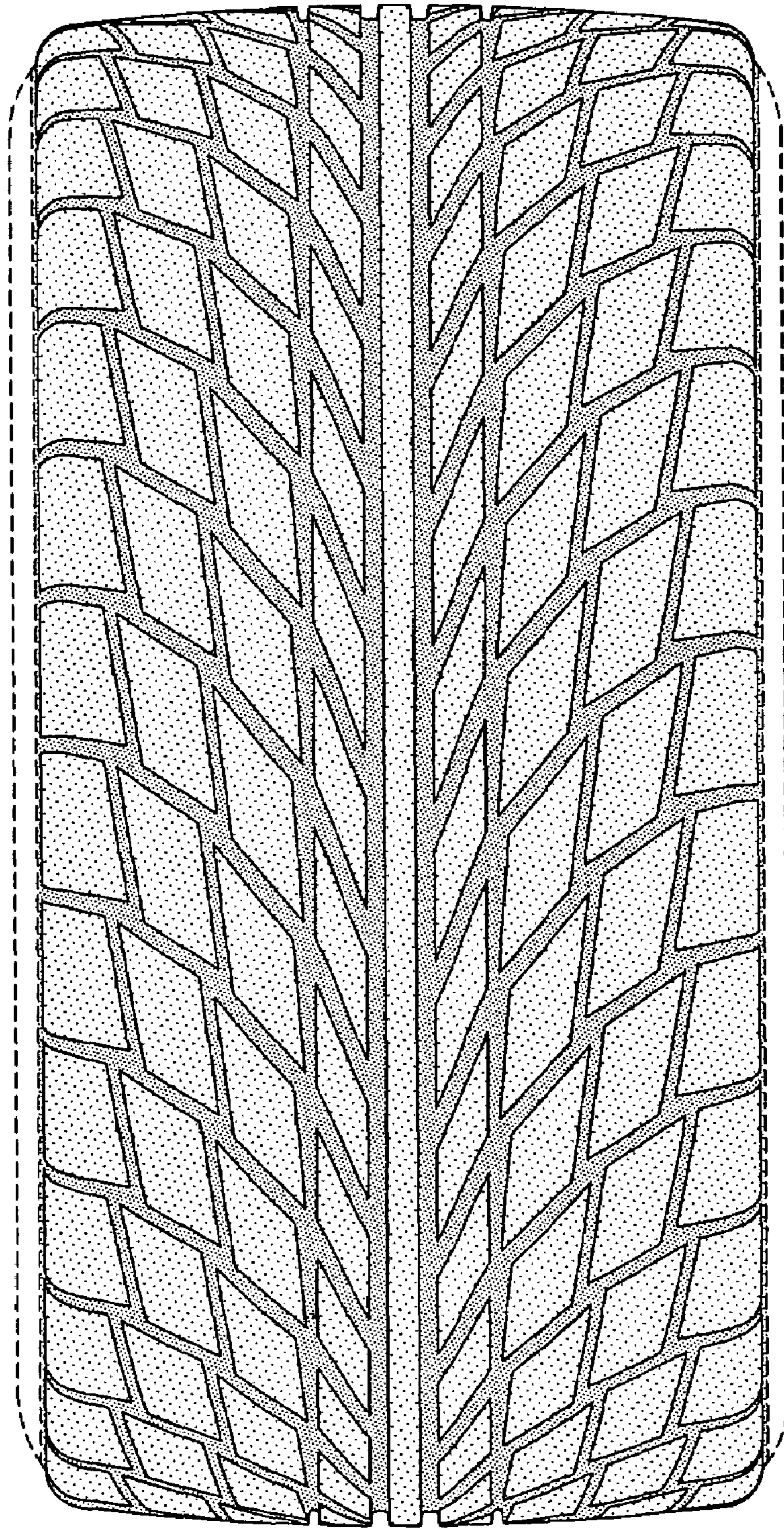


FIG-6

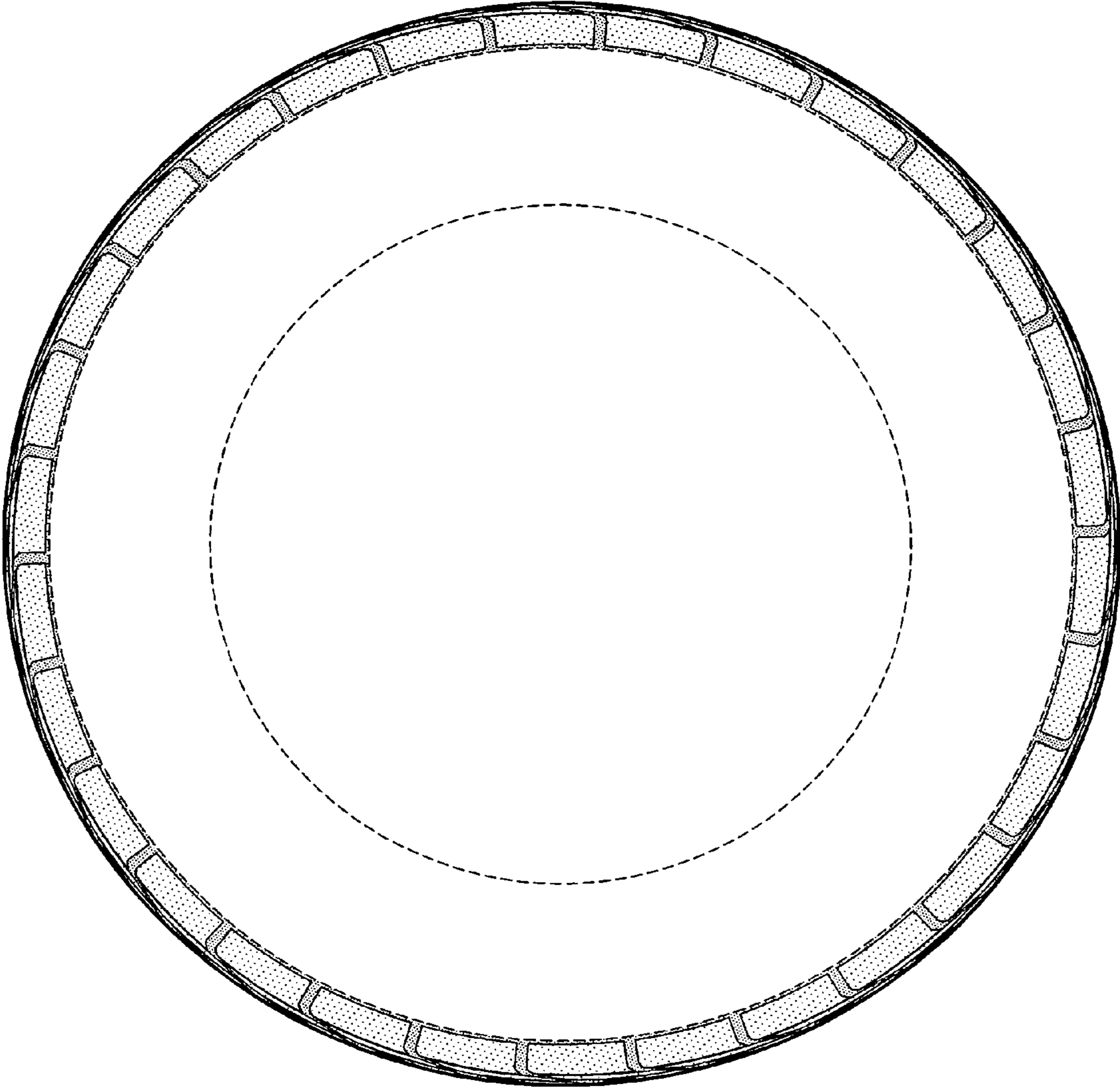


FIG-7

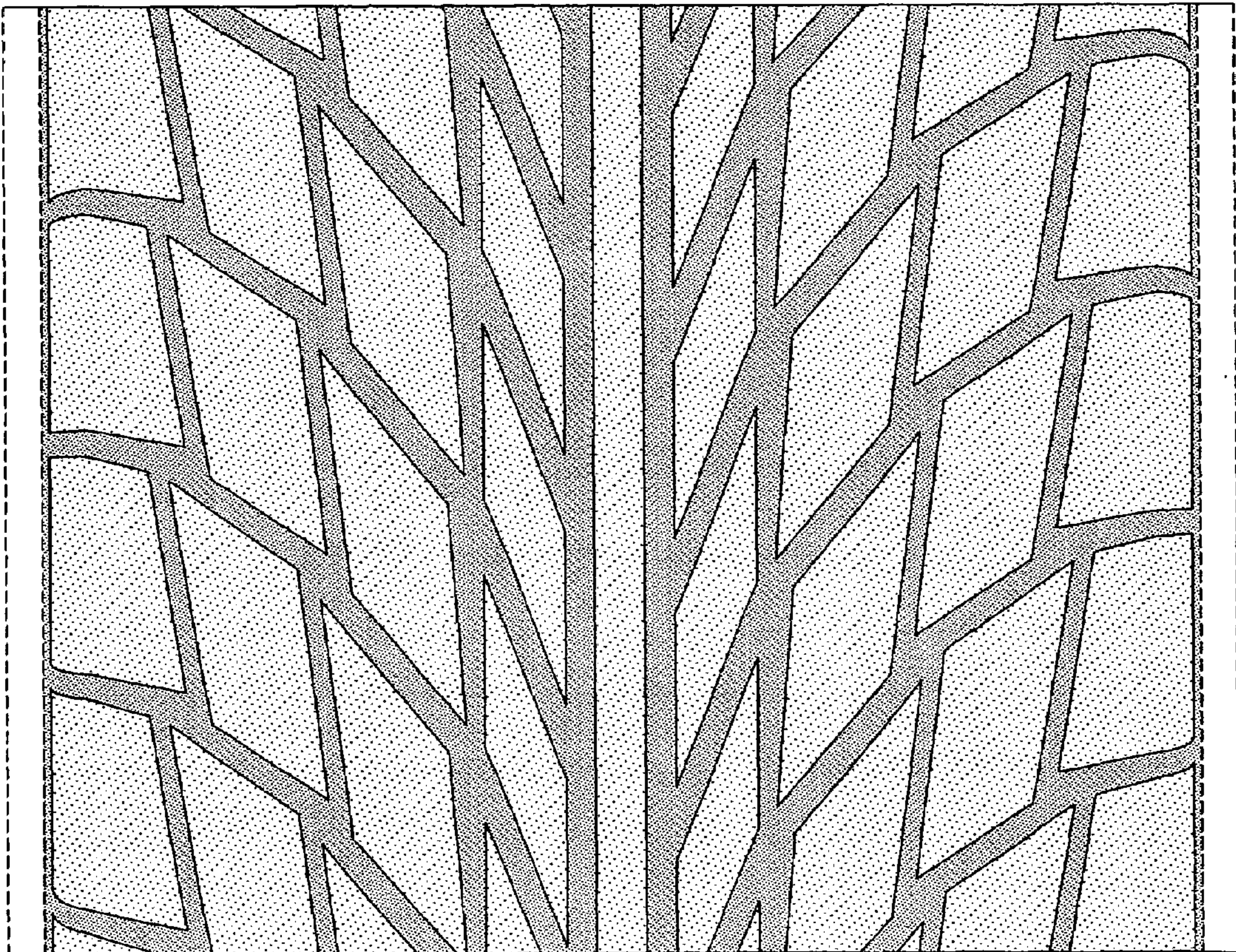


FIG-8