



US00D582837S

(12) **United States Design Patent**
D'abrigeon

(10) **Patent No.:** **US D582,837 S**

(45) **Date of Patent:** **** Dec. 16, 2008**

(54) **PNEUMATIC TIRE**

(75) Inventor: **Nicolas D'abrigeon**, Chamalieres (FR)

(73) Assignee: **Michelin Recherche et Technique, S.A.**, Granges-Paccot (CH)

(**) Term: **14 Years**

(21) Appl. No.: **29/271,153**

(22) Filed: **Jan. 11, 2007**

(30) **Foreign Application Priority Data**

Jul. 11, 2006 (FR) 06 3343

(51) **LOC (8) Cl.** **12-15**

(52) **U.S. Cl.** **D12/517; D12/523**

(58) **Field of Classification Search** D12/501,
D12/505-532; 152/209.1, 209.8, 209.9
See application file for complete search history.

(56) **References Cited**

U.S. PATENT DOCUMENTS

D403,628 S * 1/1999 Muhlhoff et al. D12/532

D515,018 S * 2/2006 Umstot et al. D12/517

D545,757 S * 7/2007 Fukunaga D12/528

D561,683 S * 2/2008 Kiwaki D12/519

* cited by examiner

Primary Examiner—Robert M. Spear

Assistant Examiner—George D Kirschbaum

(74) *Attorney, Agent, or Firm*—Buchanan Ingersoll & Rooney PC

(57) **CLAIM**

The ornamental design for a pneumatic tire, as shown and described.

DESCRIPTION

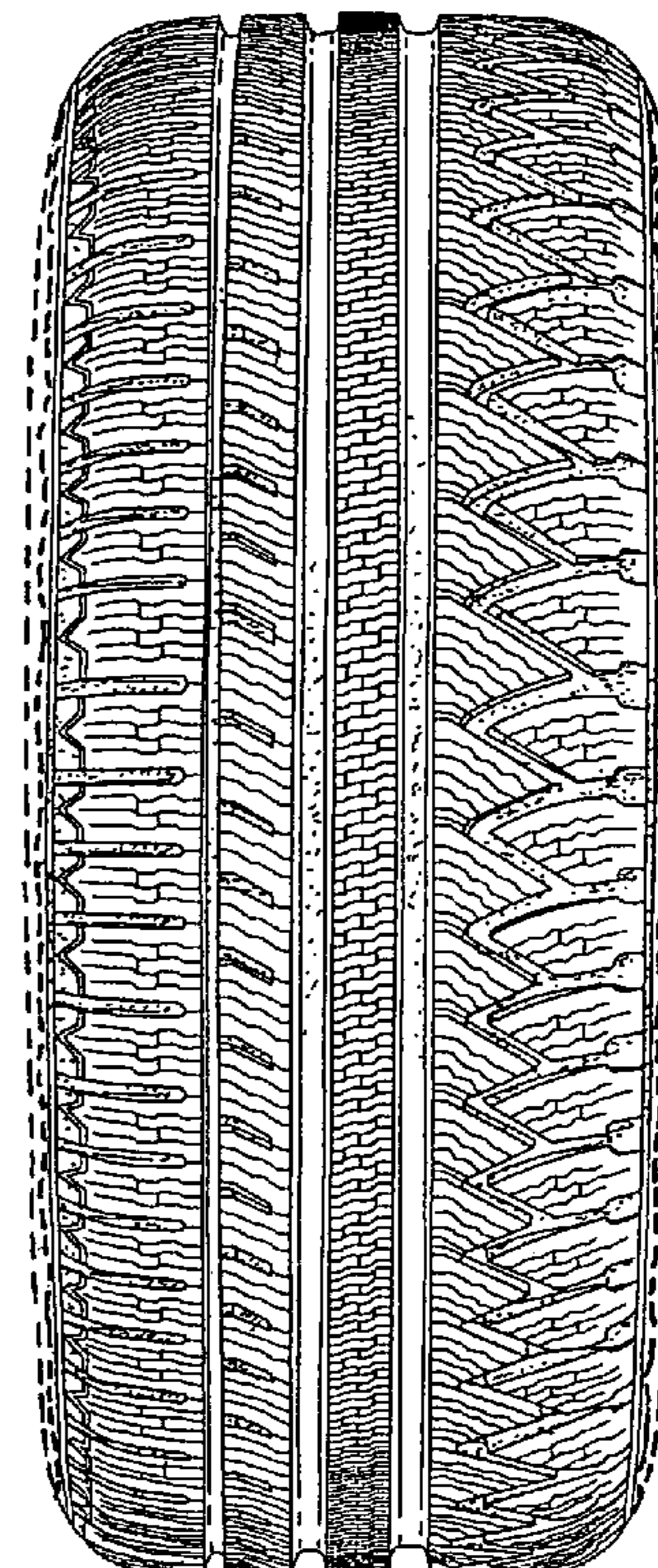
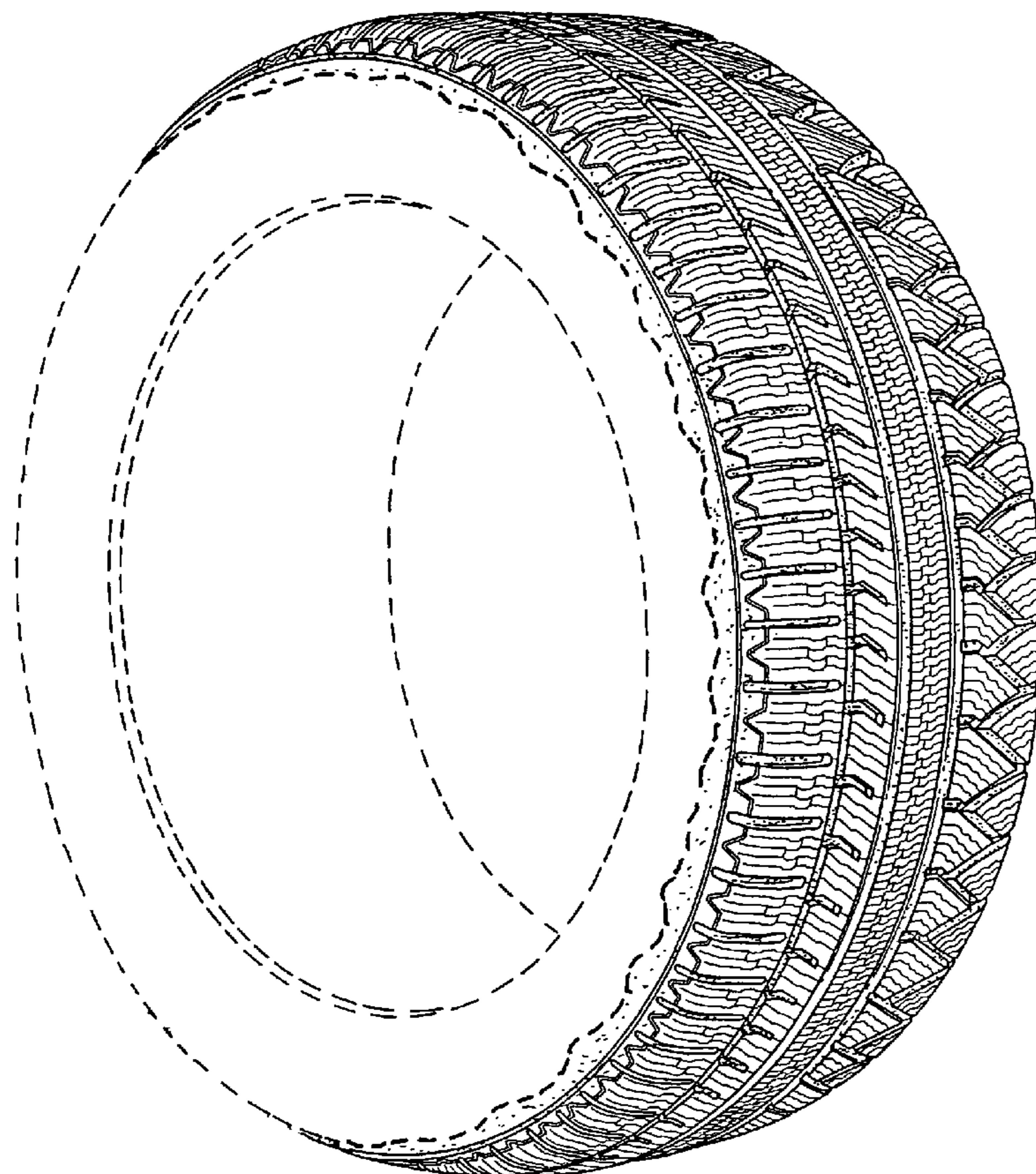
FIG. 1 is a perspective view showing my new pneumatic tire design.

FIG. 2 is a side elevational view of FIG. 2, taken in a direction parallel to the tire's axis of rotation; and,

FIG. 3 is an end elevational view of the pneumatic tire design shown in FIG. 1, taken in a direction perpendicular to the tire's axis of rotation.

The tread pattern is understood to repeat uniformly throughout the circumference of the tire. The dash-dot-dash lines delineating the claim boundaries and the broken lines depicting the unclaimed tire sidewall form no part of the claim.

1 Claim, 3 Drawing Sheets



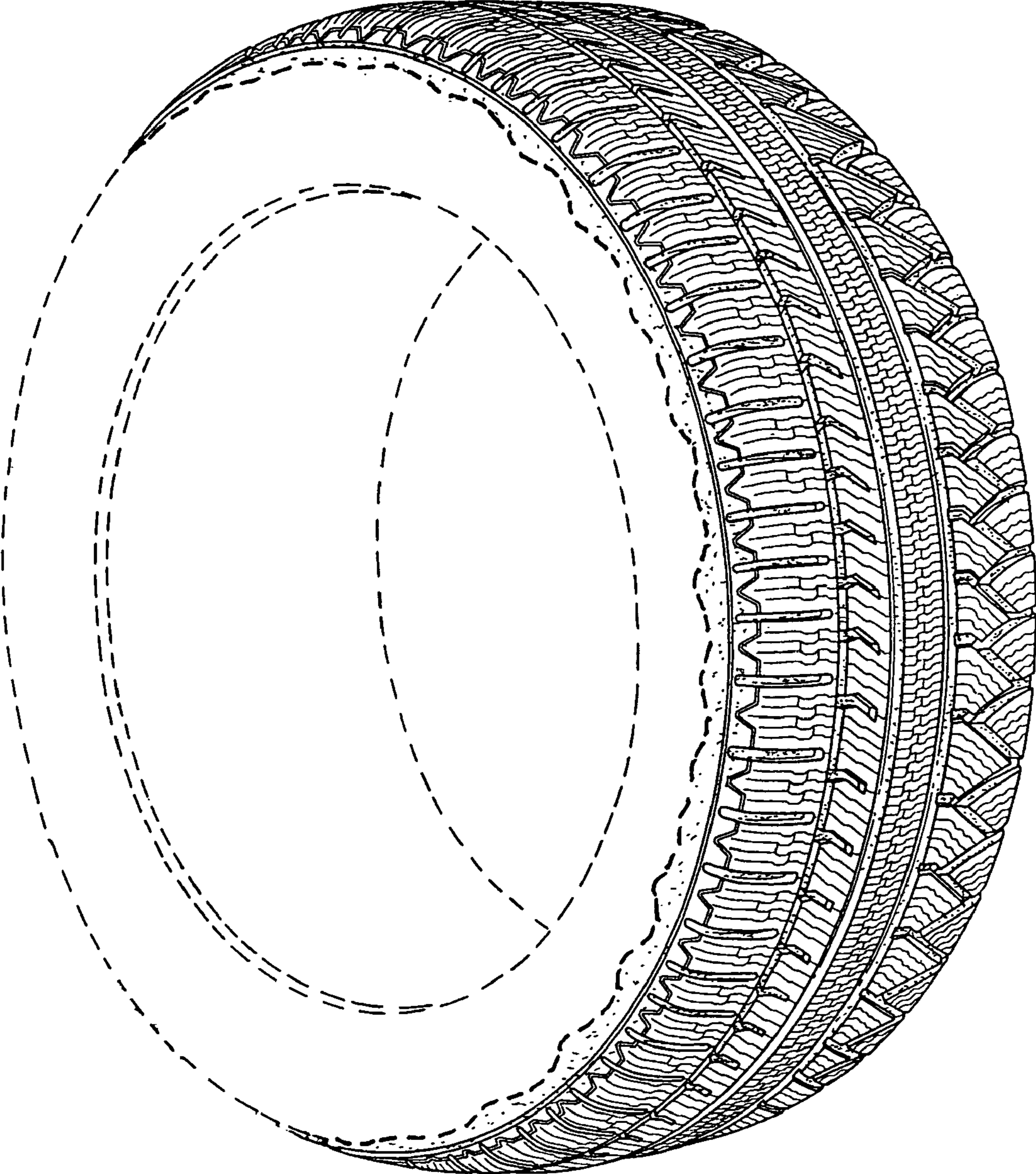


FIG. 1

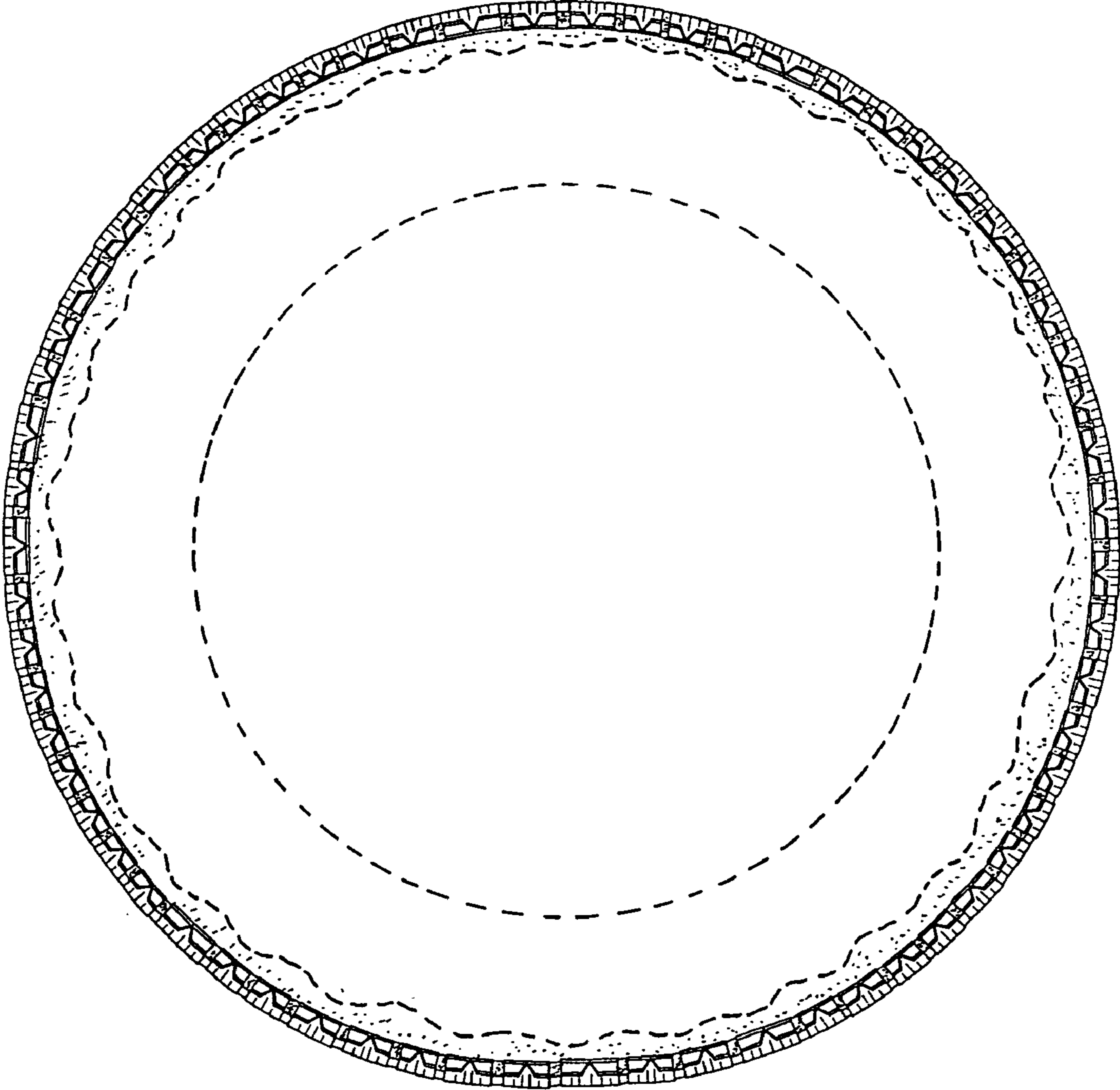


FIG. 2

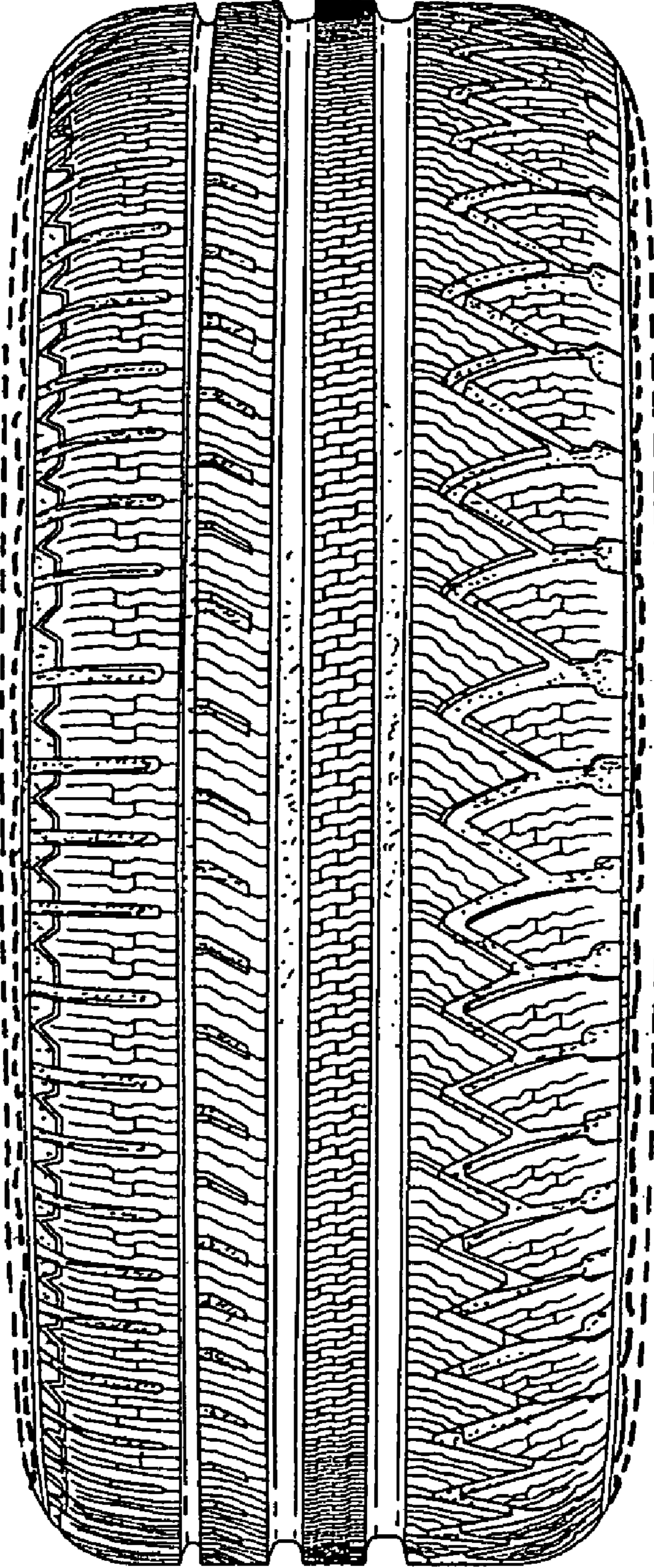


FIG. 3