



US00D582835S

(12) **United States Design Patent**
Earhart

(10) **Patent No.:** **US D582,835 S**

(45) **Date of Patent:** **** *Dec. 16, 2008**

(54) **AUTO CD/DVD HOLDER**

(76) **Inventor:** **Carl E. Earhart**, 3622 S. Sarnoff Dr.,
Tucson, AZ (US) 85730-2632

(*) **Notice:** This patent is subject to a terminal disclaimer.

(**) **Term:** **14 Years**

(21) **Appl. No.:** **29/271,541**

(22) **Filed:** **Jan. 22, 2007**

(51) **LOC (8) Cl.** **12-16**

(52) **U.S. Cl.** **D12/425**

(58) **Field of Classification Search** D12/415,
D12/419-426.1; 224/42.11, 400, 539-543,
224/926-928, 536, 548, 275, 282; 296/37.1-37.8,
296/37.12, 37.16, 37.14, 37.15; 248/311.2;
D7/619.1-625, 509, 523, 552.1; D6/406.1-406.5,
D6/500, 512-513; D3/294; D14/157, 258,
D14/251, 253

See application file for complete search history.

(56) **References Cited**

U.S. PATENT DOCUMENTS

D248,294 S * 6/1978 McCutchen D12/419
D248,636 S * 7/1978 Stanley D12/415
D336,579 S * 6/1993 Keller et al. D6/513

D398,796 S * 9/1998 Fauchald et al. D6/512
D408,350 S * 4/1999 Ball et al. D12/425
D410,620 S * 6/1999 Sacco et al. D12/415
6,338,429 B1 * 1/2002 Pesce 224/539
D500,284 S * 12/2004 Clark D12/415
D501,997 S * 2/2005 Hassett D3/294
D523,264 S * 6/2006 Peng D6/500
D535,245 S * 1/2007 Fraser et al. D12/415

* cited by examiner

Primary Examiner—Stacia Cadmus

(57) **CLAIM**

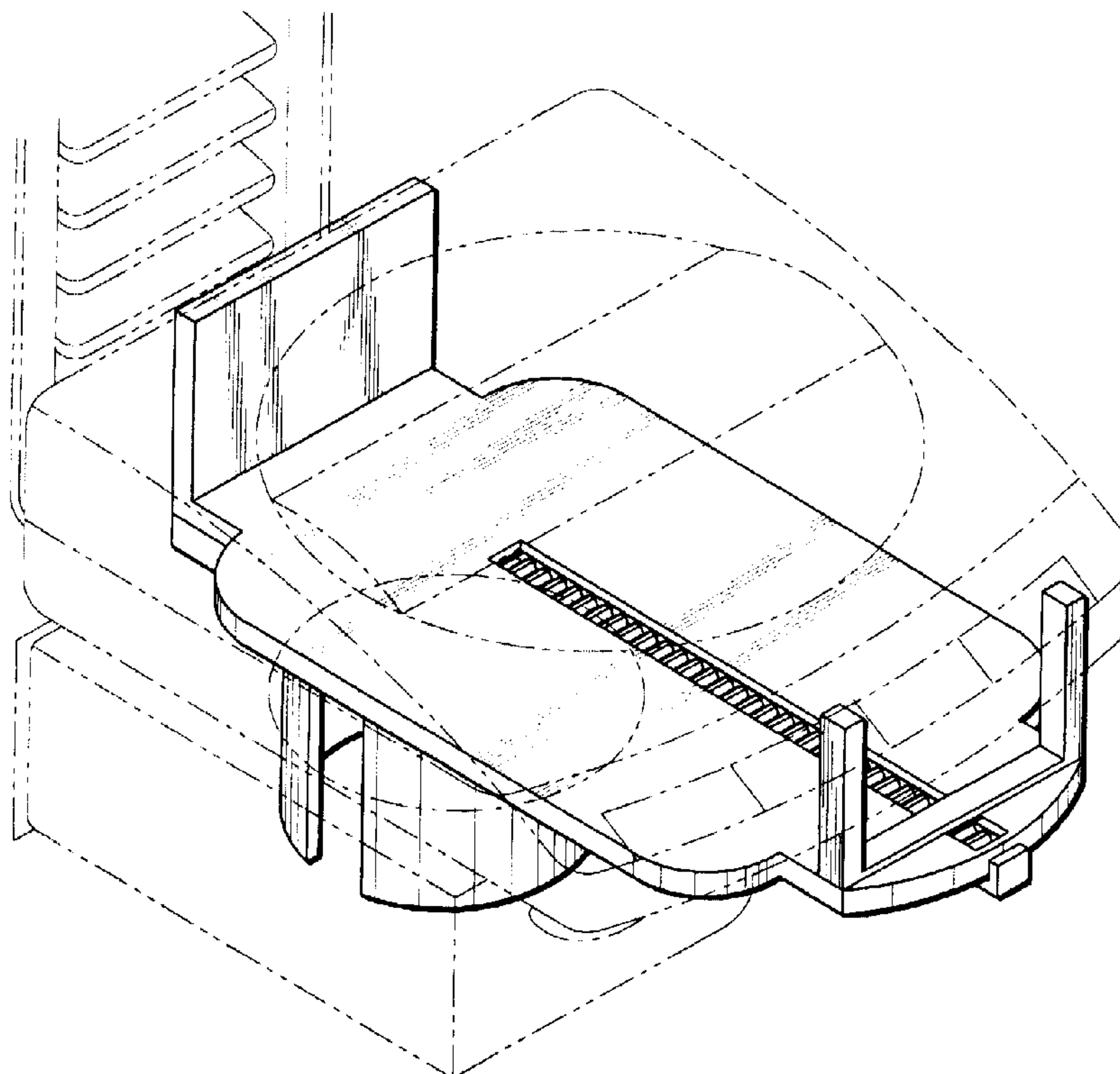
The ornamental design for an auto CD/DVD holder, as shown and described.

DESCRIPTION

FIG. 1 is a perspective view of my design;
FIG. 2 is a side view of my design, the opposite side view being a mirror image thereof;
FIG. 3 is a top view of my design;
FIG. 4 is a bottom view of my design;
FIG. 5 is a front view of my design; and,
FIG. 6 is a back view of my design.

The broken line showing of environment is for illustrative purposes only and forms no part of the claimed design.

1 Claim, 3 Drawing Sheets



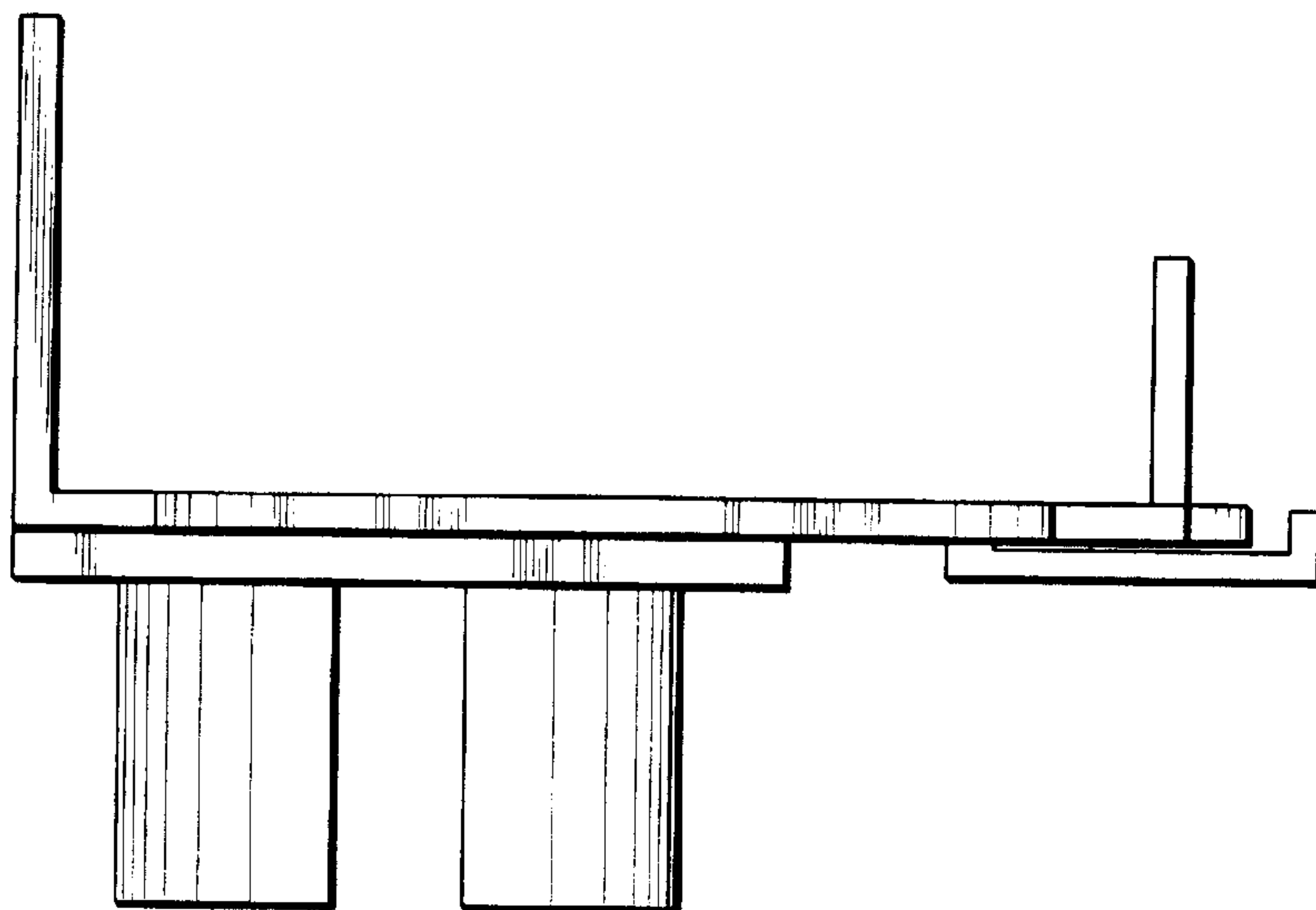
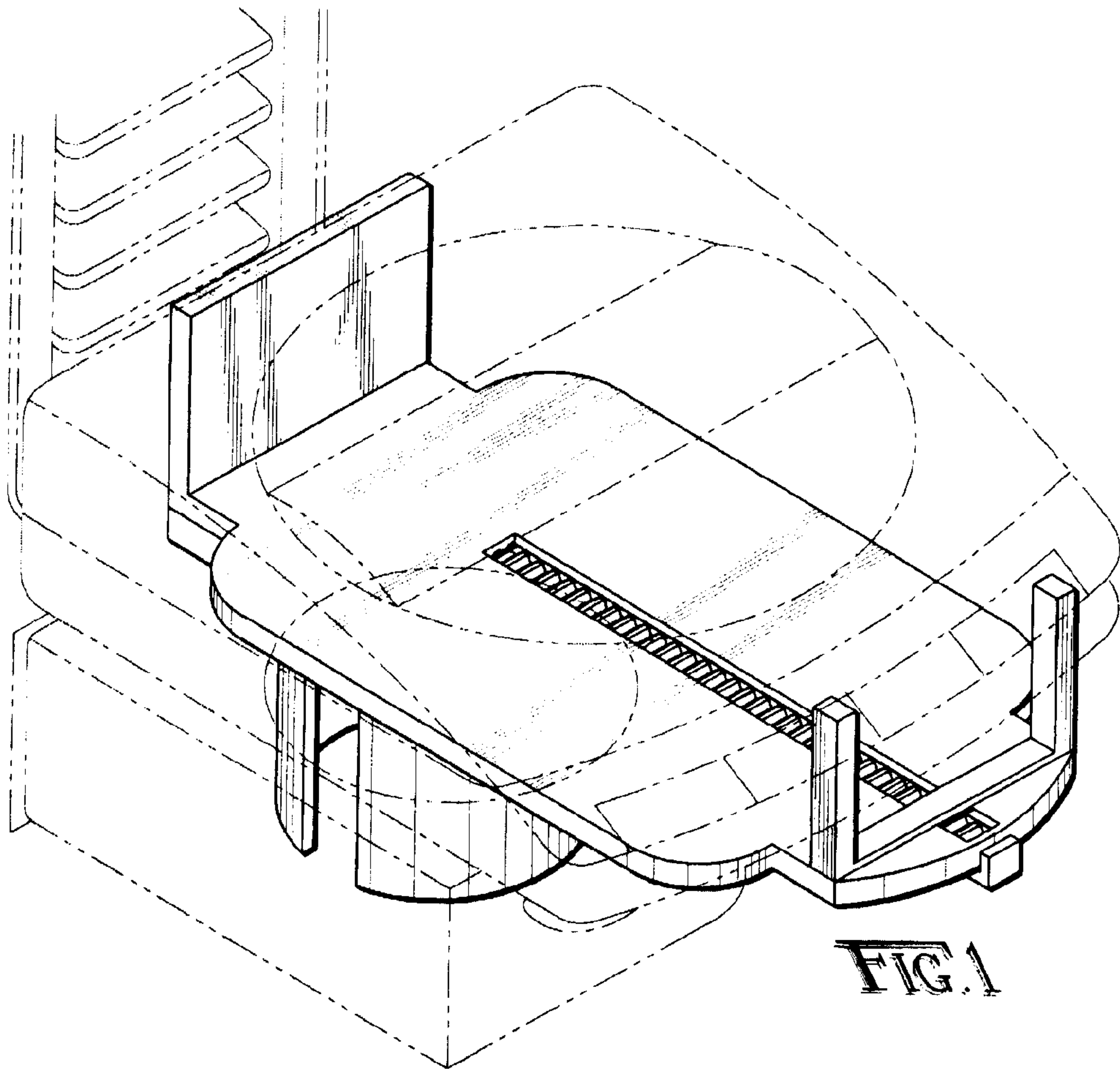


FIG. 2

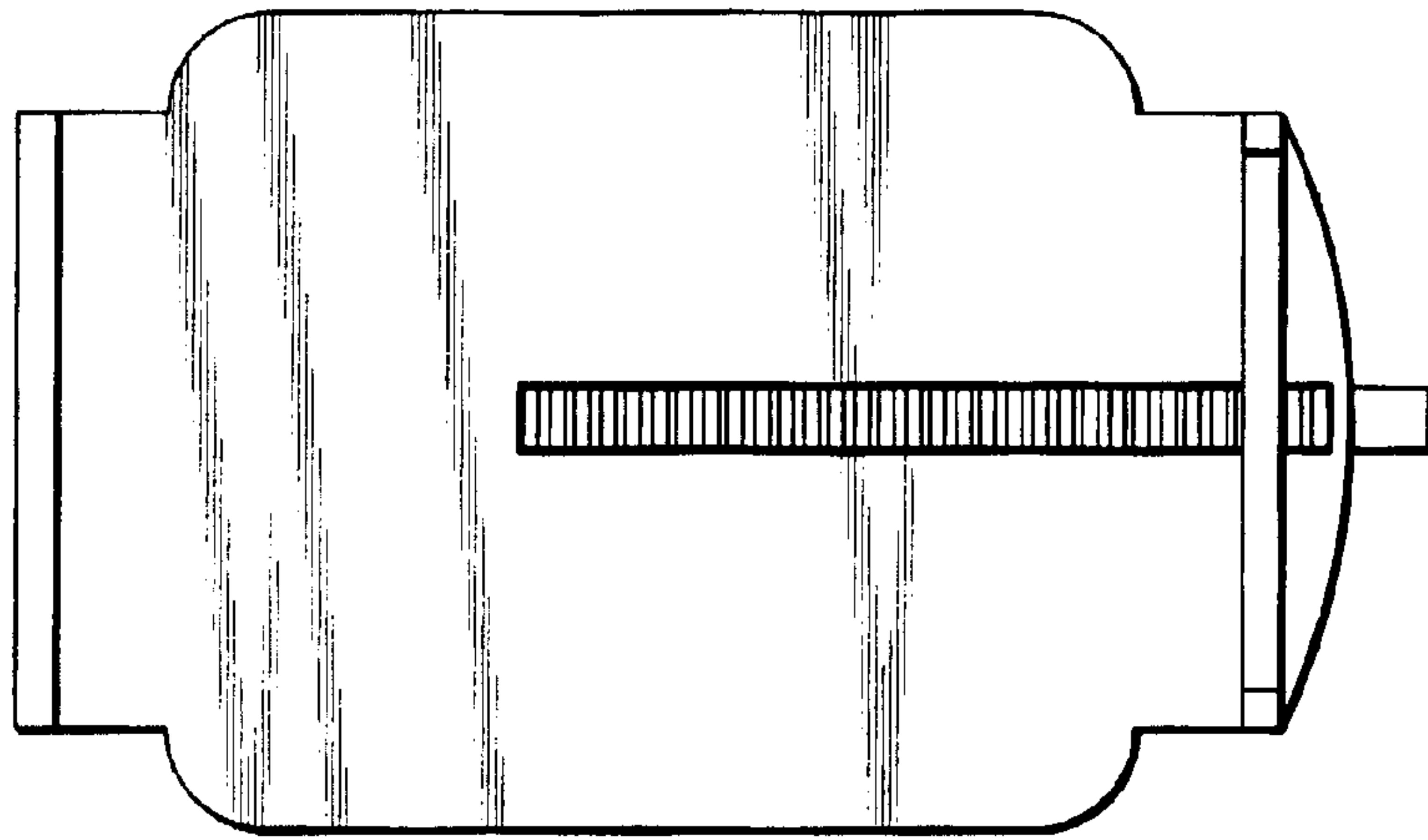


FIG. 3

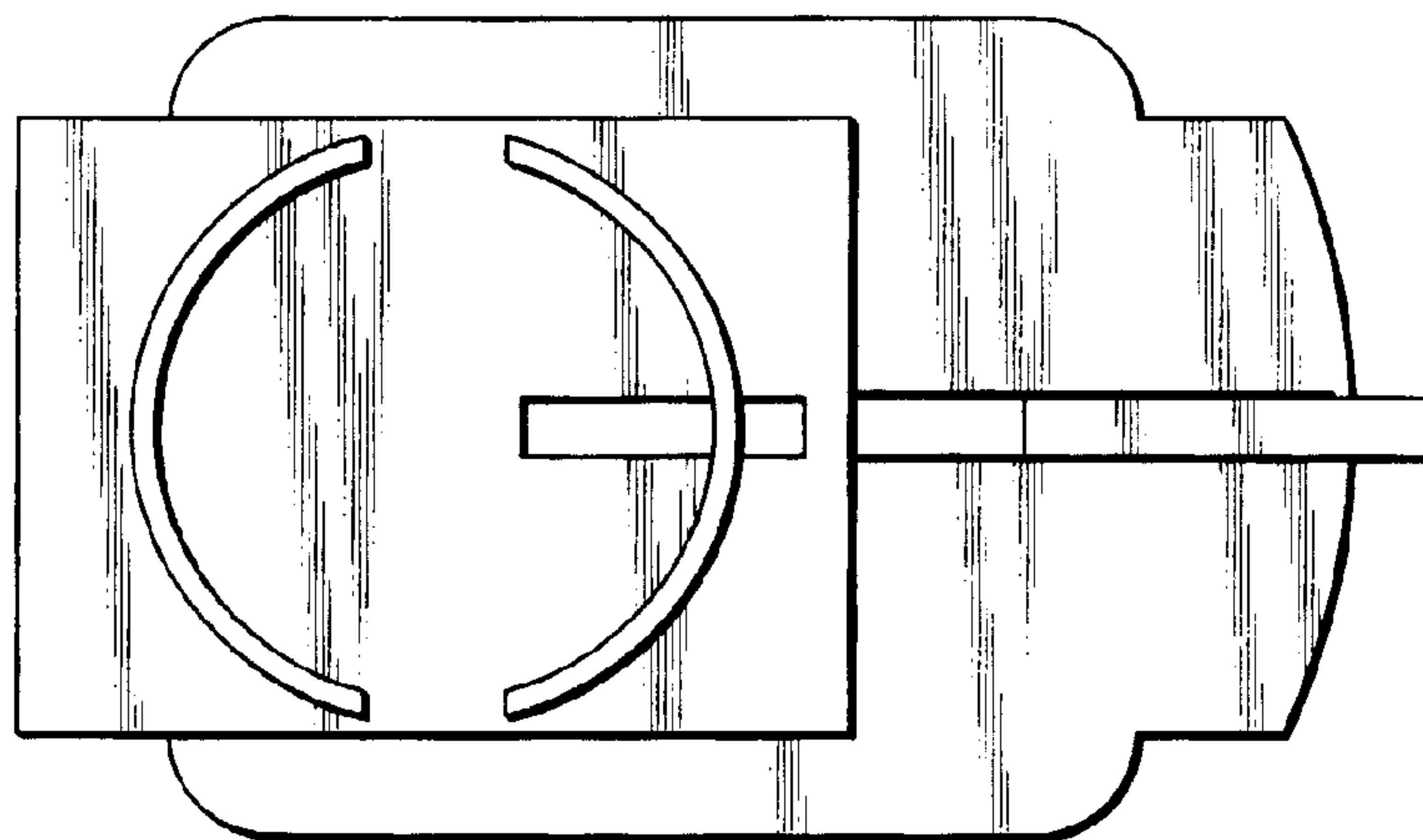


FIG. 4

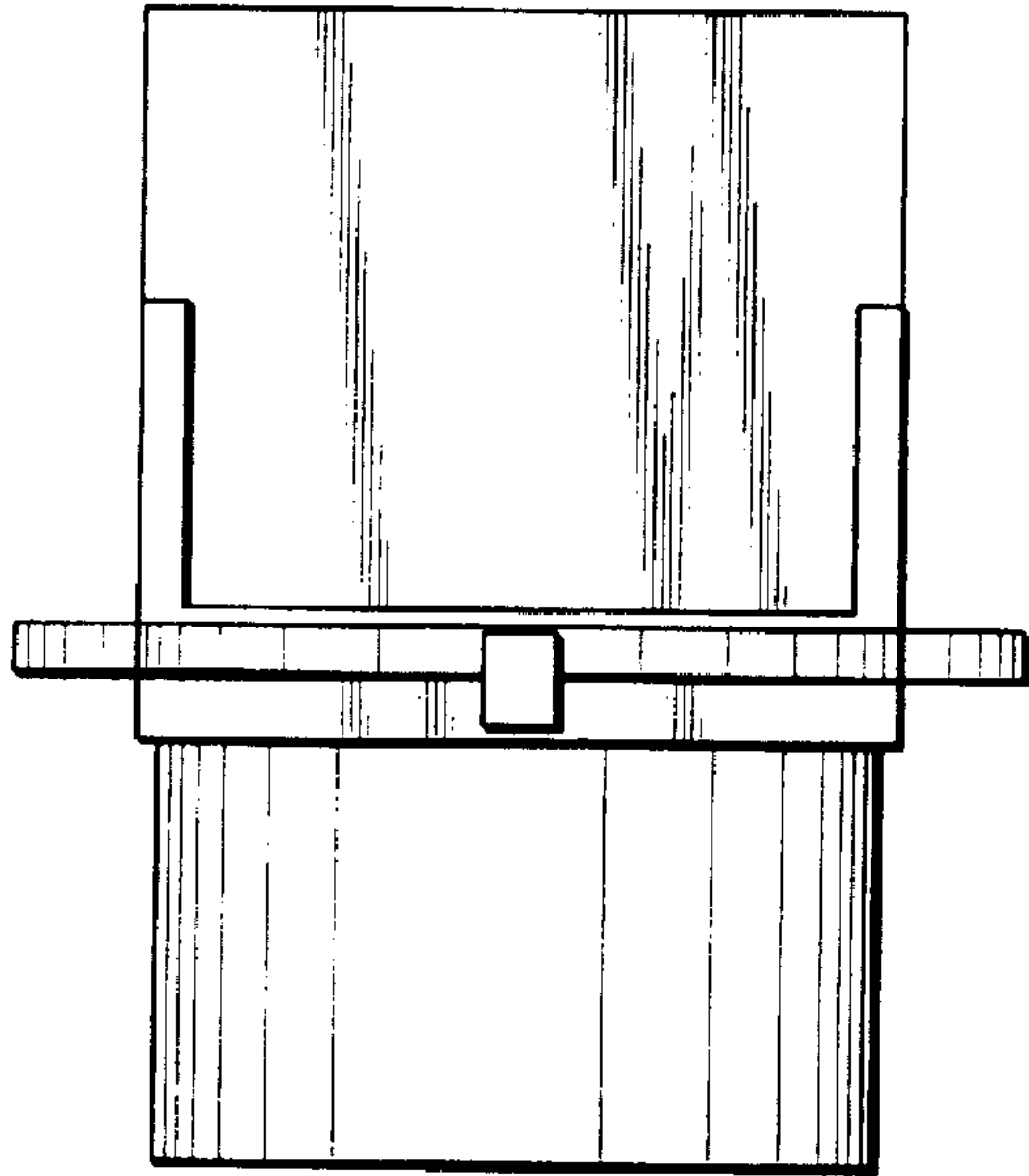


FIG. 5

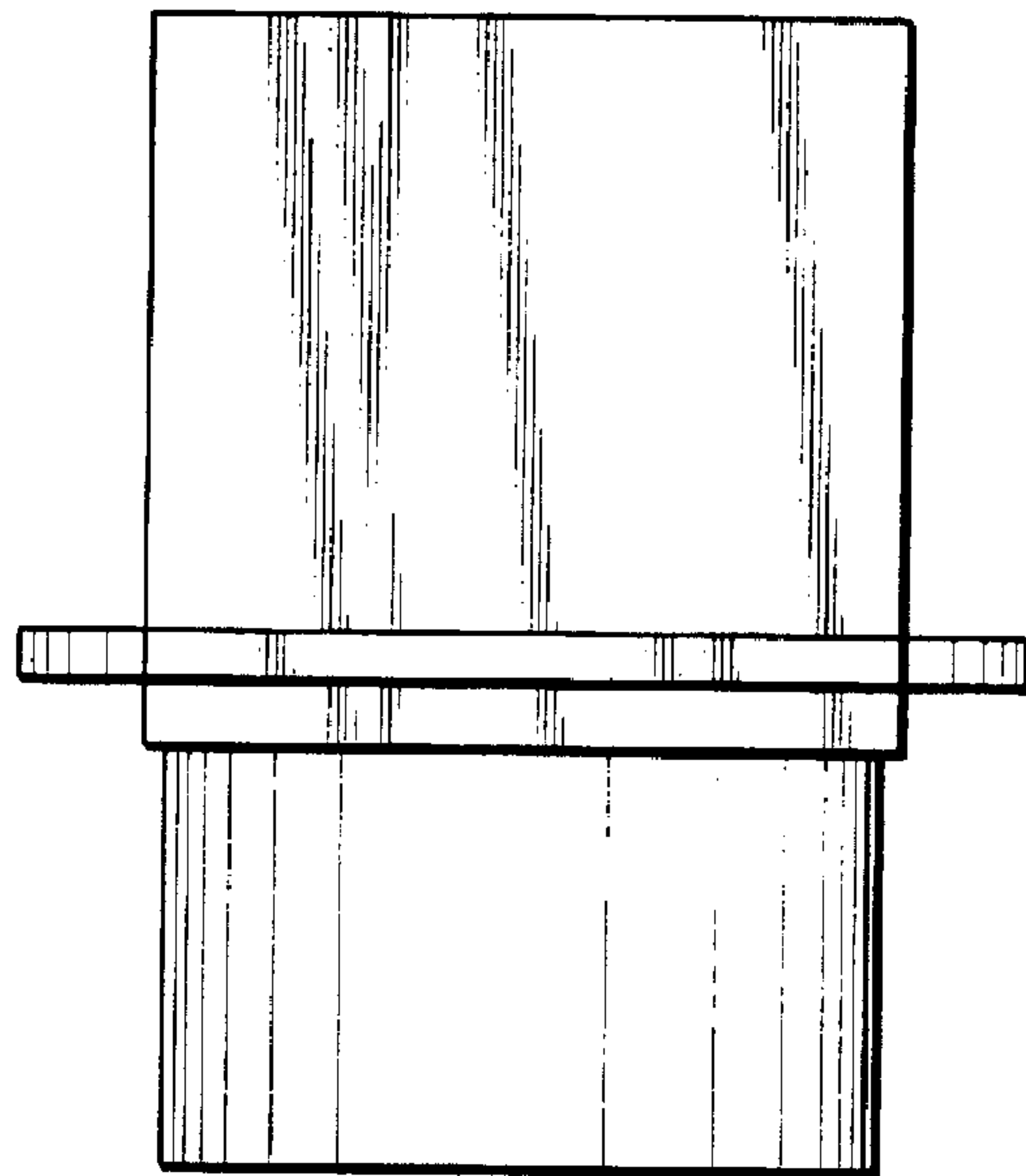


FIG. 6