



US00D582829S

(12) **United States Design Patent**
Musser

(10) **Patent No.:** **US D582,829 S**

(45) **Date of Patent:** **** Dec. 16, 2008**

(54) **VEHICLE WHEEL**

(75) Inventor: **Scott Musser**, Chino Hills, CA (US)

(73) Assignee: **Prestige Autotech Corporation**, Chino, CA (US)

(**) Term: **14 Years**

(21) Appl. No.: **29/317,353**

(22) Filed: **Apr. 28, 2008**

(51) **LOC (8) Cl.** **12-16**

(52) **U.S. Cl.** **D12/211**

(58) **Field of Classification Search** D12/204–213;
301/37.101, 64.101, 65, 64.201

See application file for complete search history.

(56) **References Cited**

U.S. PATENT DOCUMENTS

D469,729 S	*	2/2003	Brintouch	D12/209
D481,346 S	*	10/2003	Vian	D12/211
D499,682 S	*	12/2004	Kushartanto	D12/209
D543,493 S	*	5/2007	Kim	D12/209
D551,148 S	*	9/2007	Musser	D12/211
D554,037 S	*	10/2007	Chung	D12/211
D567,732 S	*	4/2008	Chung	D12/209

D570,276 S * 6/2008 Chung D12/211

* cited by examiner

Primary Examiner—Stacia Cadmus

(74) *Attorney, Agent, or Firm*—Fulwider Patton LLP

(57) **CLAIM**

The ornamental design for a vehicle wheel, as shown and described.

DESCRIPTION

FIG. 1 is a perspective view of the vehicle wheel showing a first embodiment of my new design;

FIG. 2 is a front elevational view thereof;

FIG. 3 is a cross-sectional view taken along the lines of 3—3 of FIG. 2;

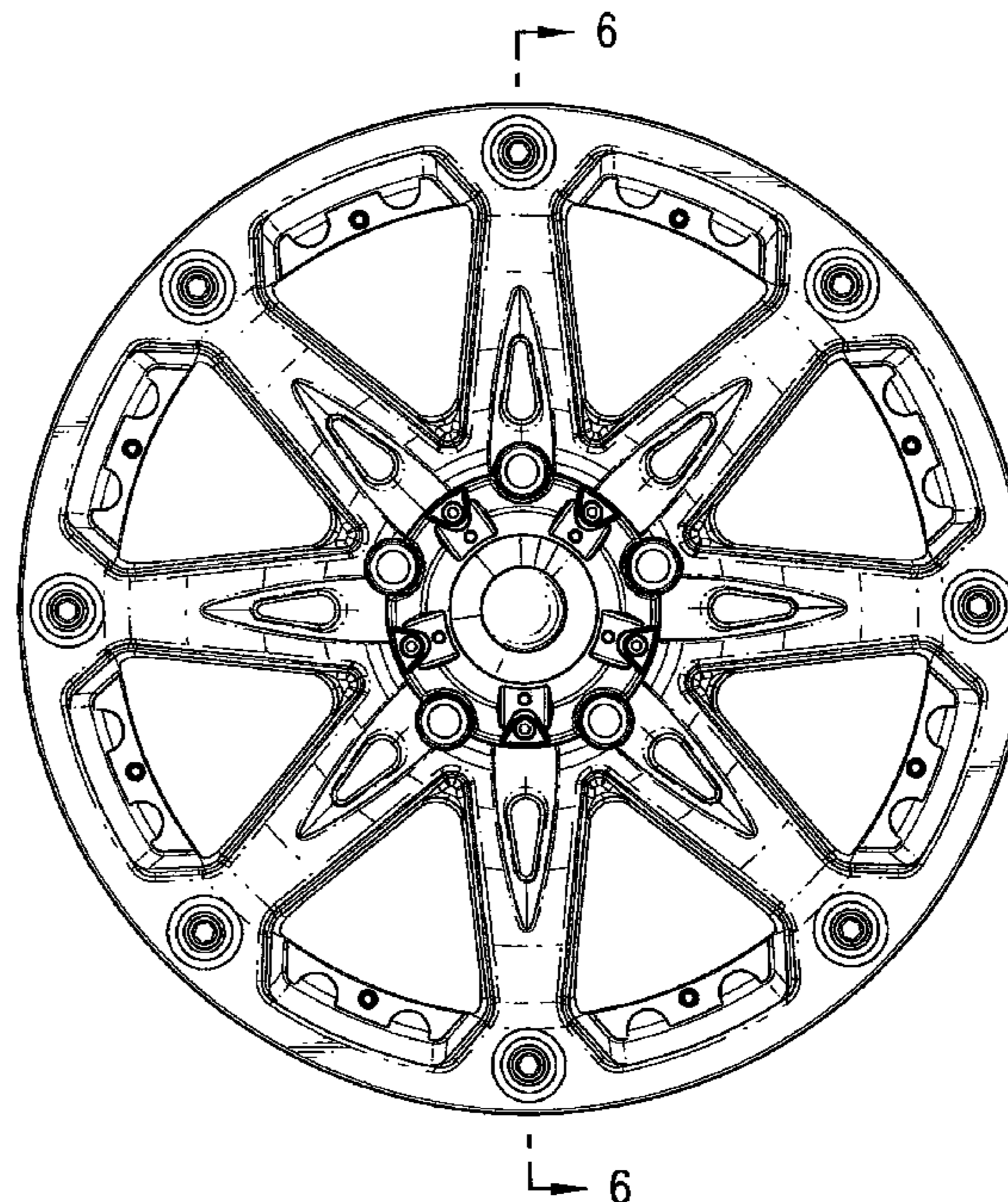
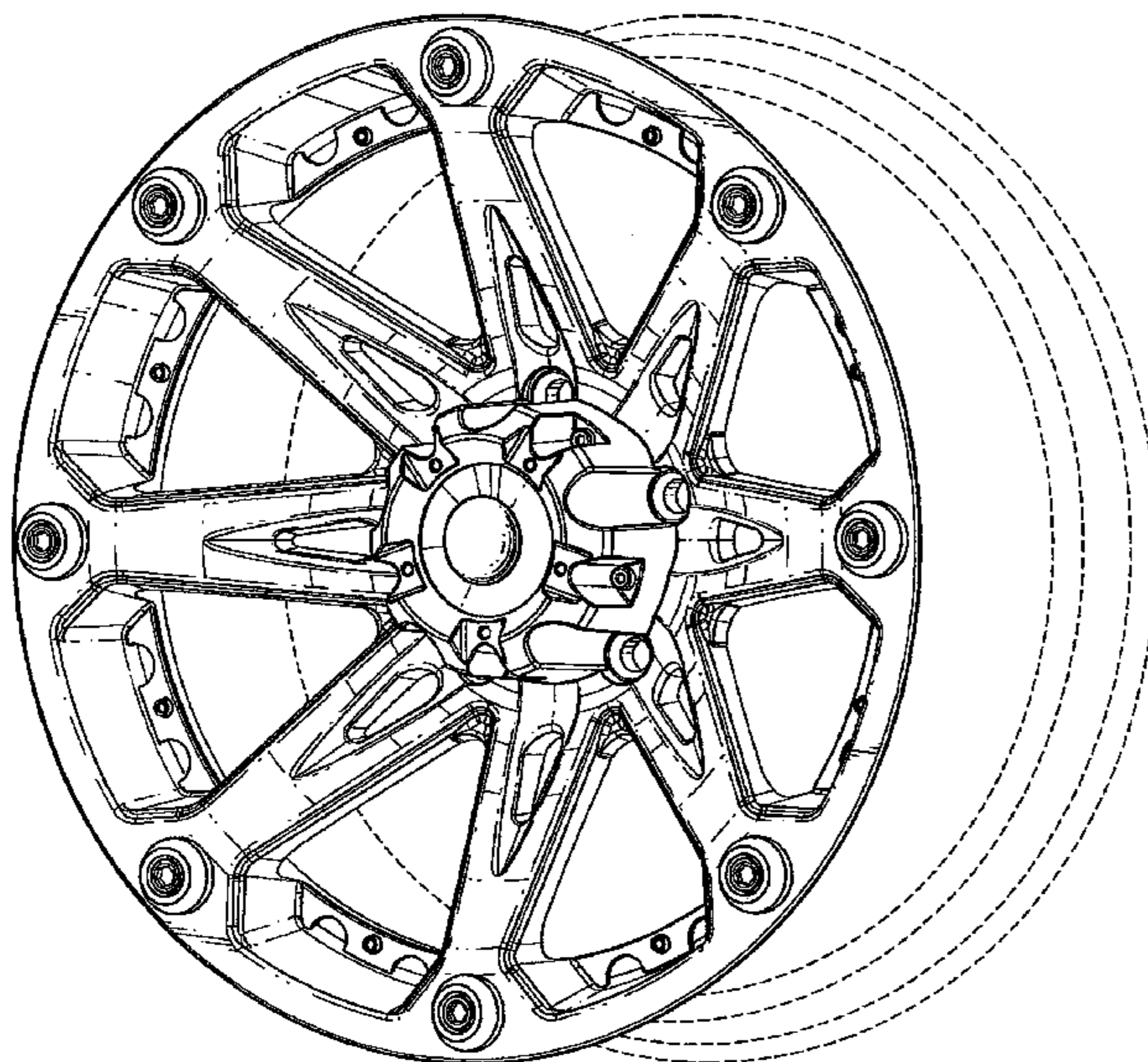
FIG. 4 is a perspective view of the vehicle wheel showing a second embodiment of my new design;

FIG. 5 is a front elevational view thereof; and,

FIG. 6 is a cross-sectional view taken along the lines of 6—6 of FIG. 5.

The broken line showing the environment is for illustrative purposes only and forms no part of the claimed design.

1 Claim, 6 Drawing Sheets



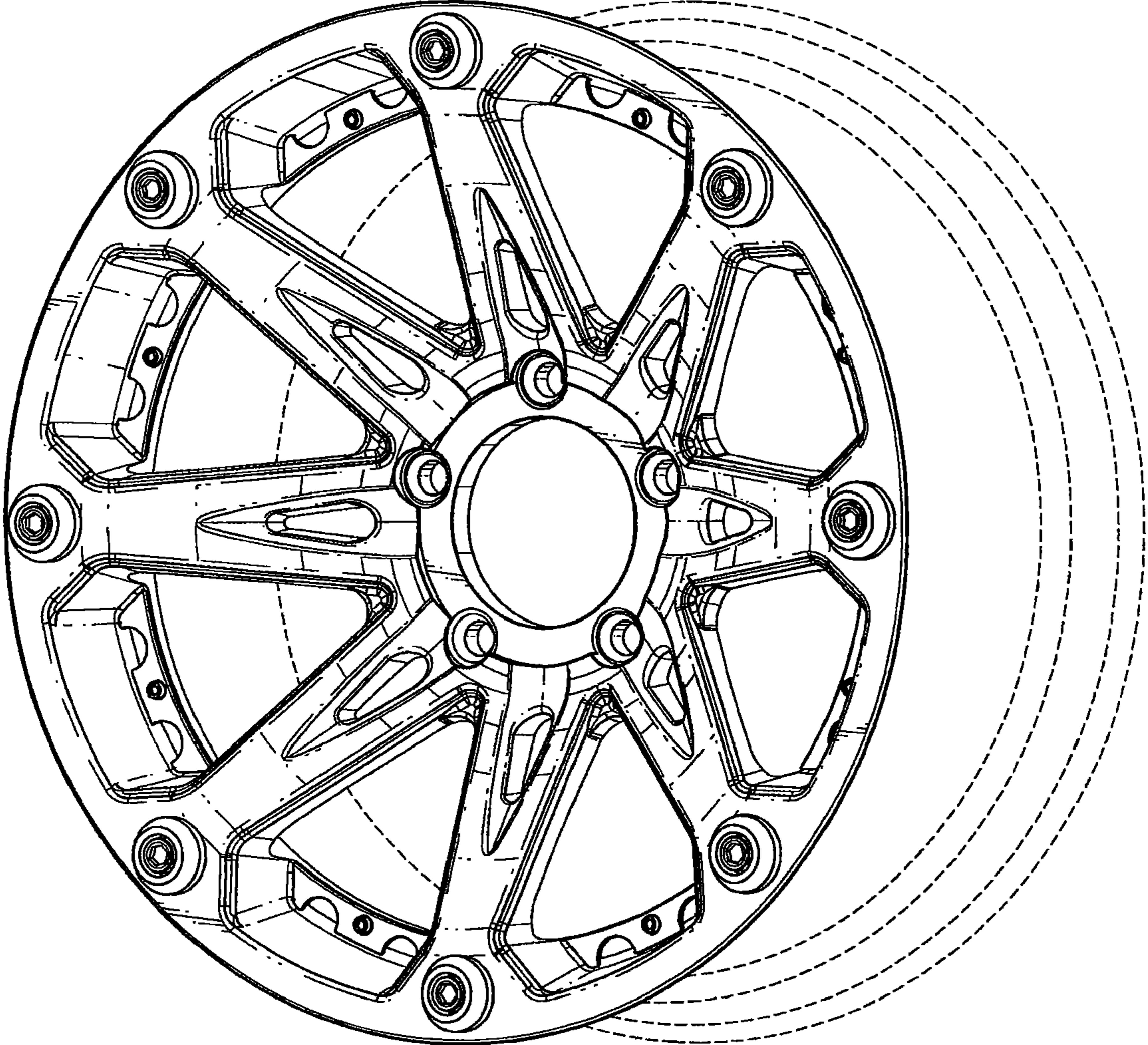


FIG. 1

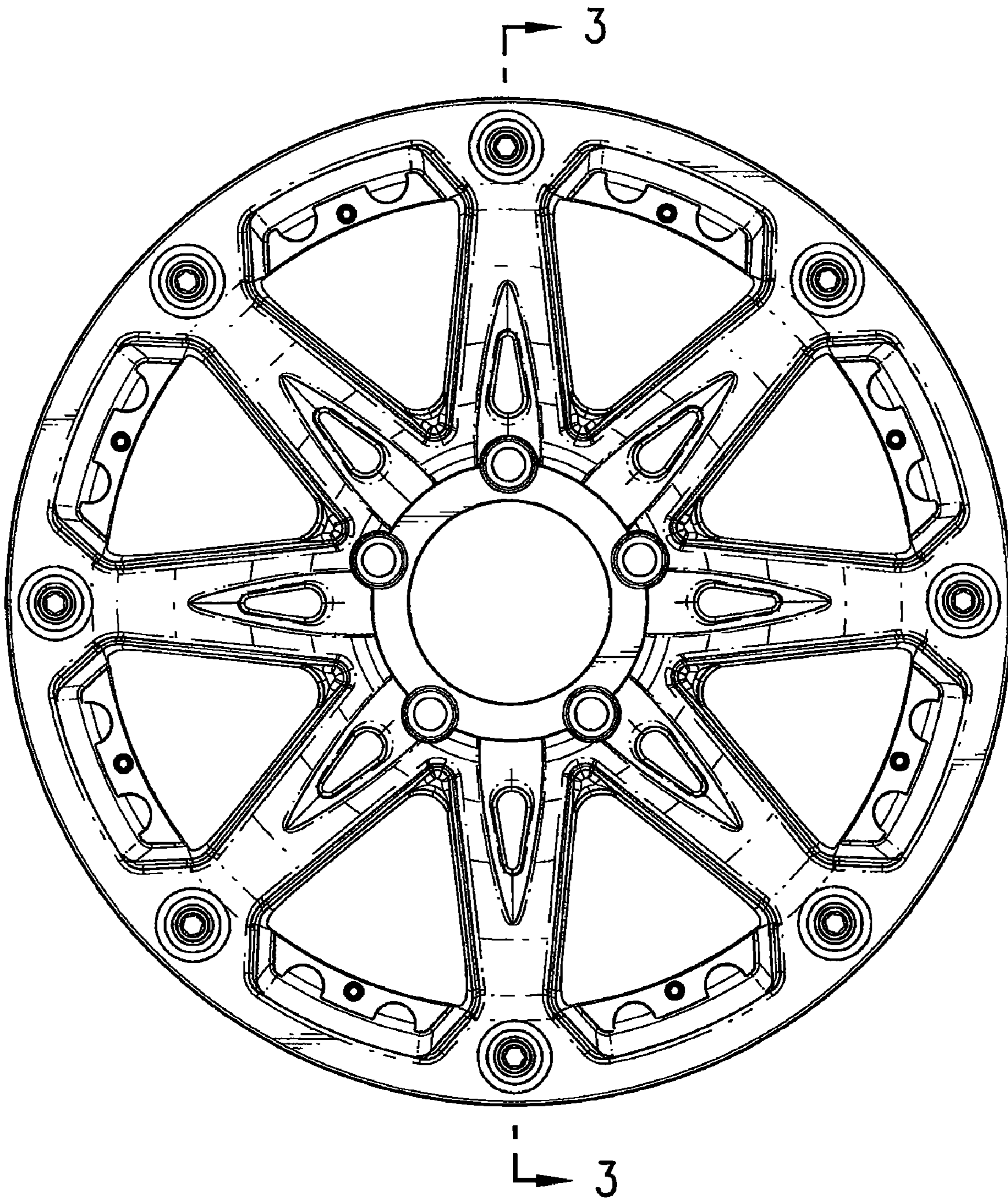


FIG. 2

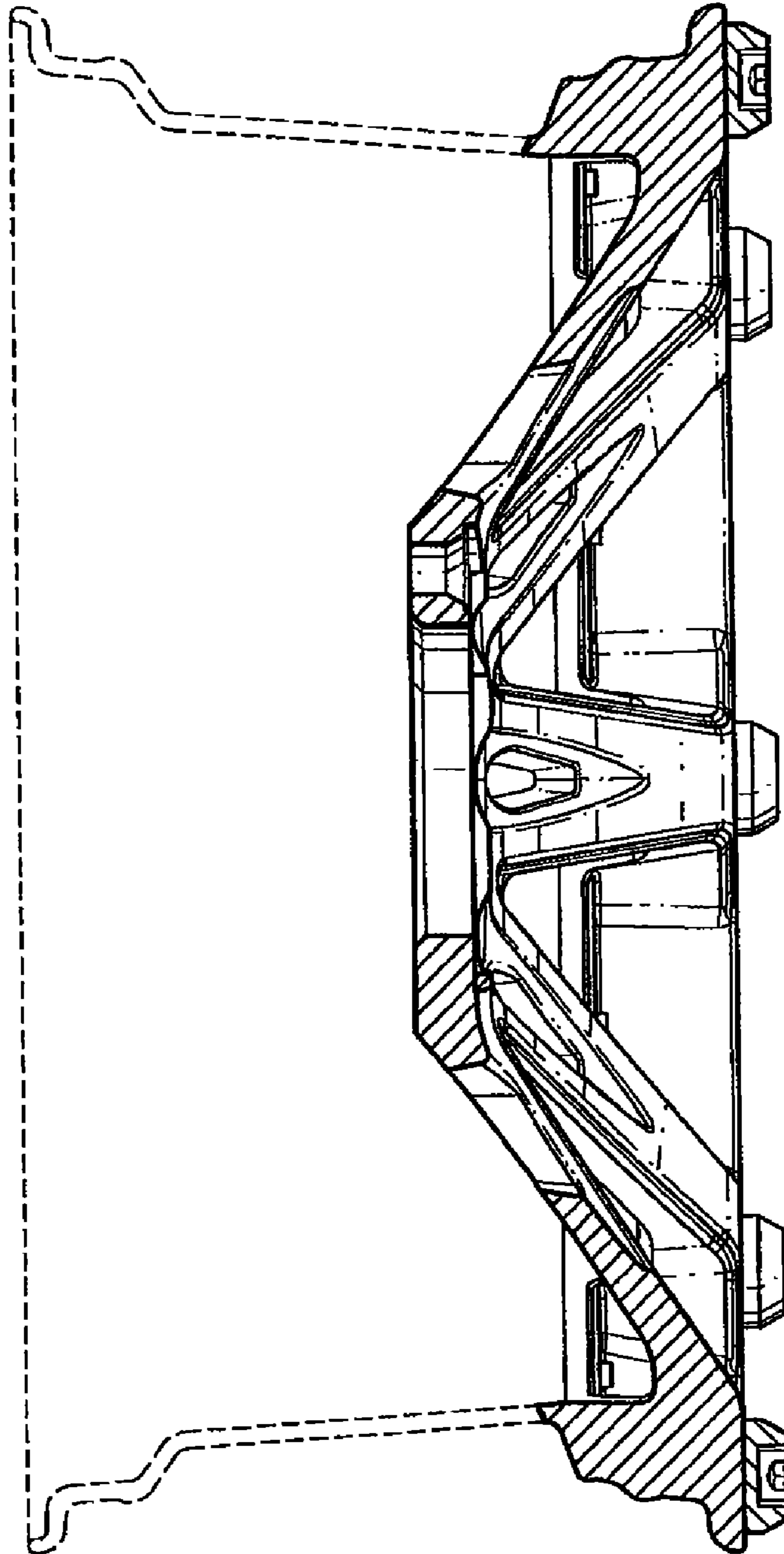


FIG. 3

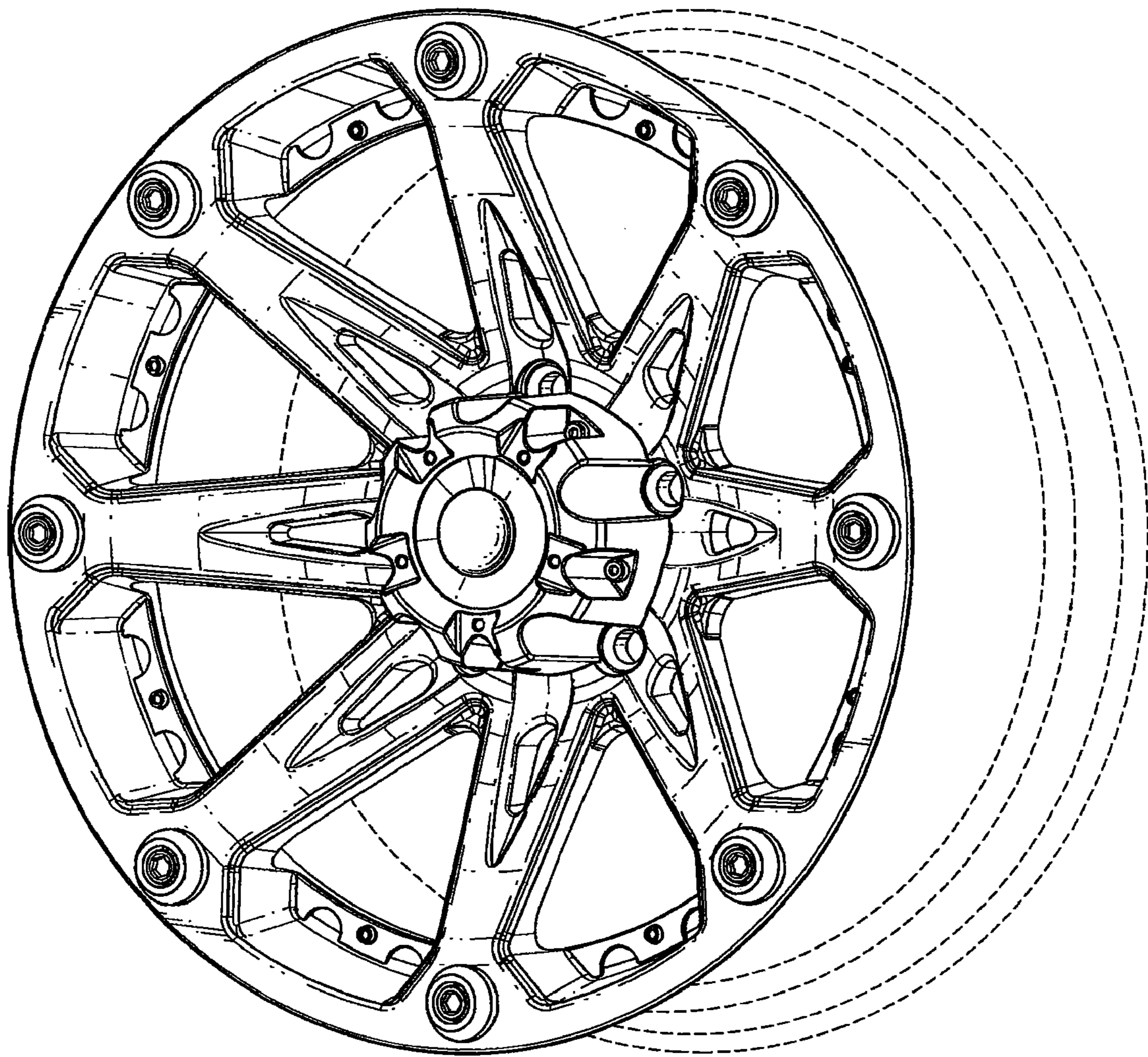


FIG. 4

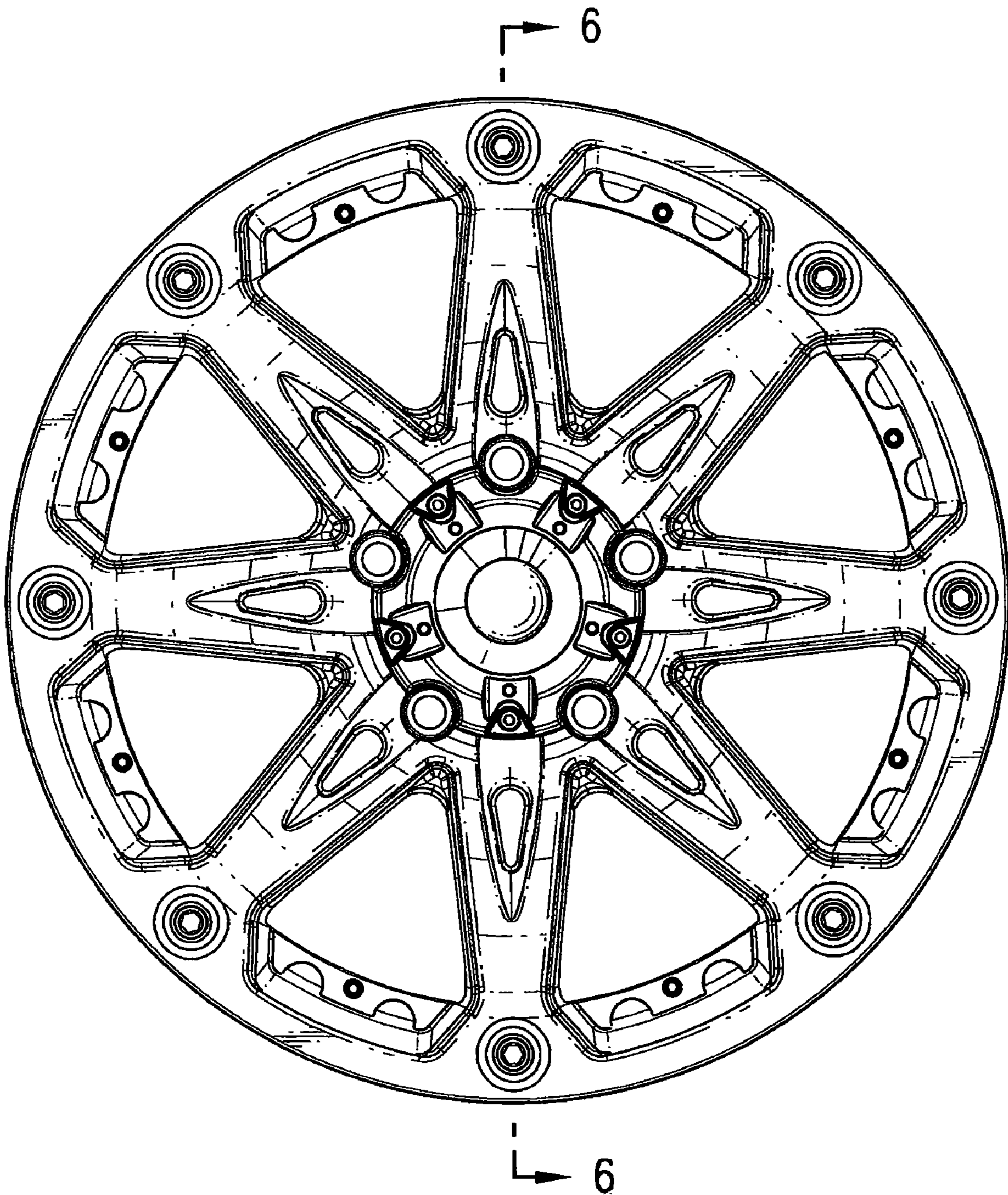


FIG. 5

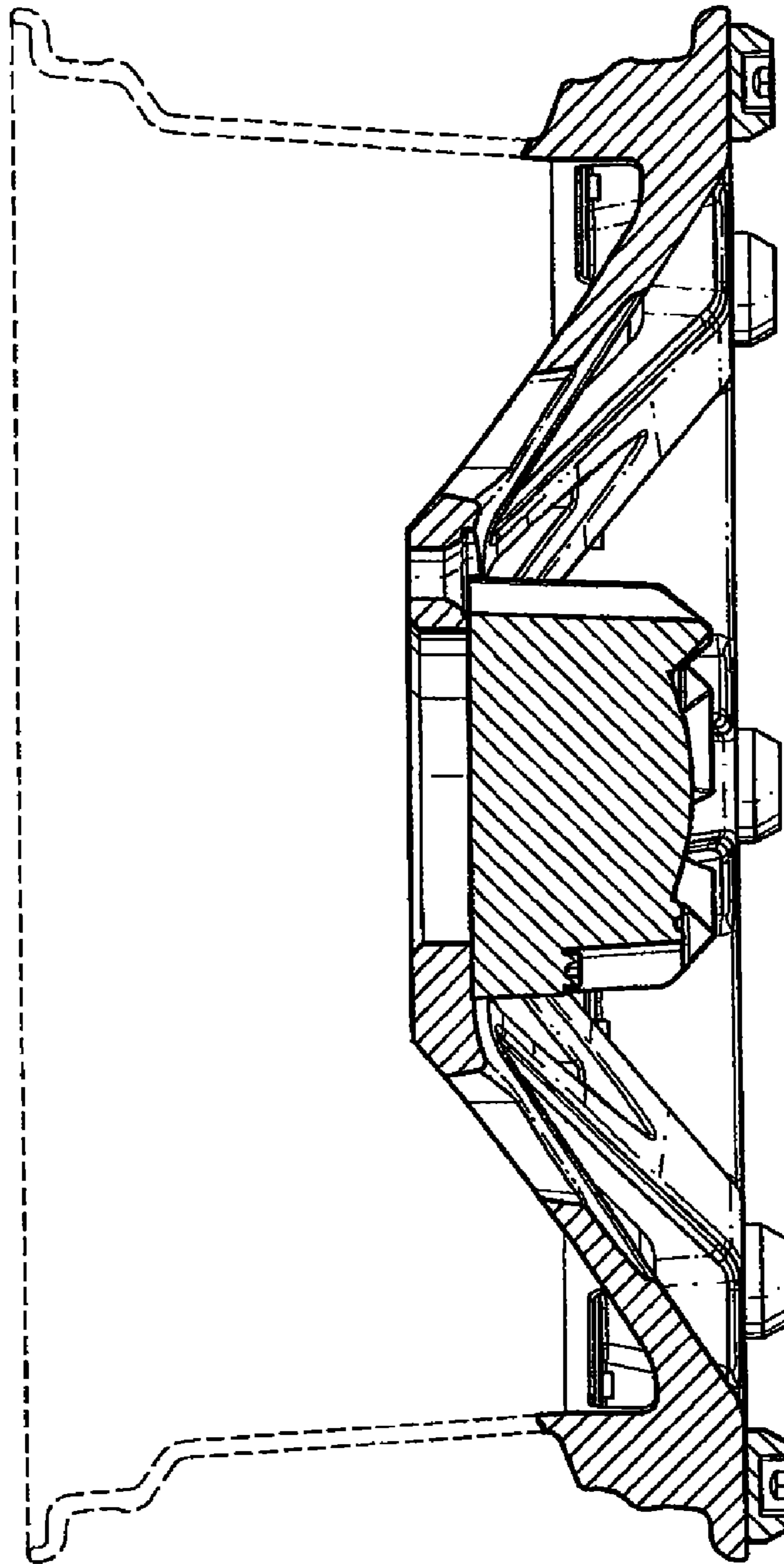


FIG. 6