



US00D582827S

(12) **United States Design Patent**
Musser

(10) **Patent No.:** **US D582,827 S**

(45) **Date of Patent:** **** Dec. 16, 2008**

(54) **VEHICLE WHEEL**

(75) Inventor: **Scott Musser**, Chino Hills, CA (US)

(73) Assignee: **Prestige Autotech Corporation**, Chino, CA (US)

(**) Term: **14 Years**

(21) Appl. No.: **29/317,355**

(22) Filed: **Apr. 28, 2008**

(51) **LOC (8) Cl.** **12-16**

(52) **U.S. Cl.** **D12/210**

(58) **Field of Classification Search** D12/204-213;
301/37.101, 64.101, 65, 64.201
See application file for complete search history.

(56) **References Cited**

U.S. PATENT DOCUMENTS

D361,975 S *	9/1995	Weld	D12/210
D430,094 S *	8/2000	Hale, Jr.	D12/210
D492,925 S *	7/2004	Fitzgerald	D12/210
D502,678 S *	3/2005	Weld	D12/210
D555,064 S *	11/2007	Danbom	D12/204
D572,648 S *	7/2008	Musser	D12/210

* cited by examiner

Primary Examiner—Stacia Cadmus

(74) *Attorney, Agent, or Firm*—Fulwider Patton LLP

(57) **CLAIM**

The ornamental design for a vehicle wheel, as shown and described.

DESCRIPTION

FIG. 1 is a perspective view of the vehicle wheel showing a first embodiment of my new design;

FIG. 2 is a front elevational view thereof;

FIG. 3 is a cross-sectional view taken along the lines of 3—3 of FIG. 2;

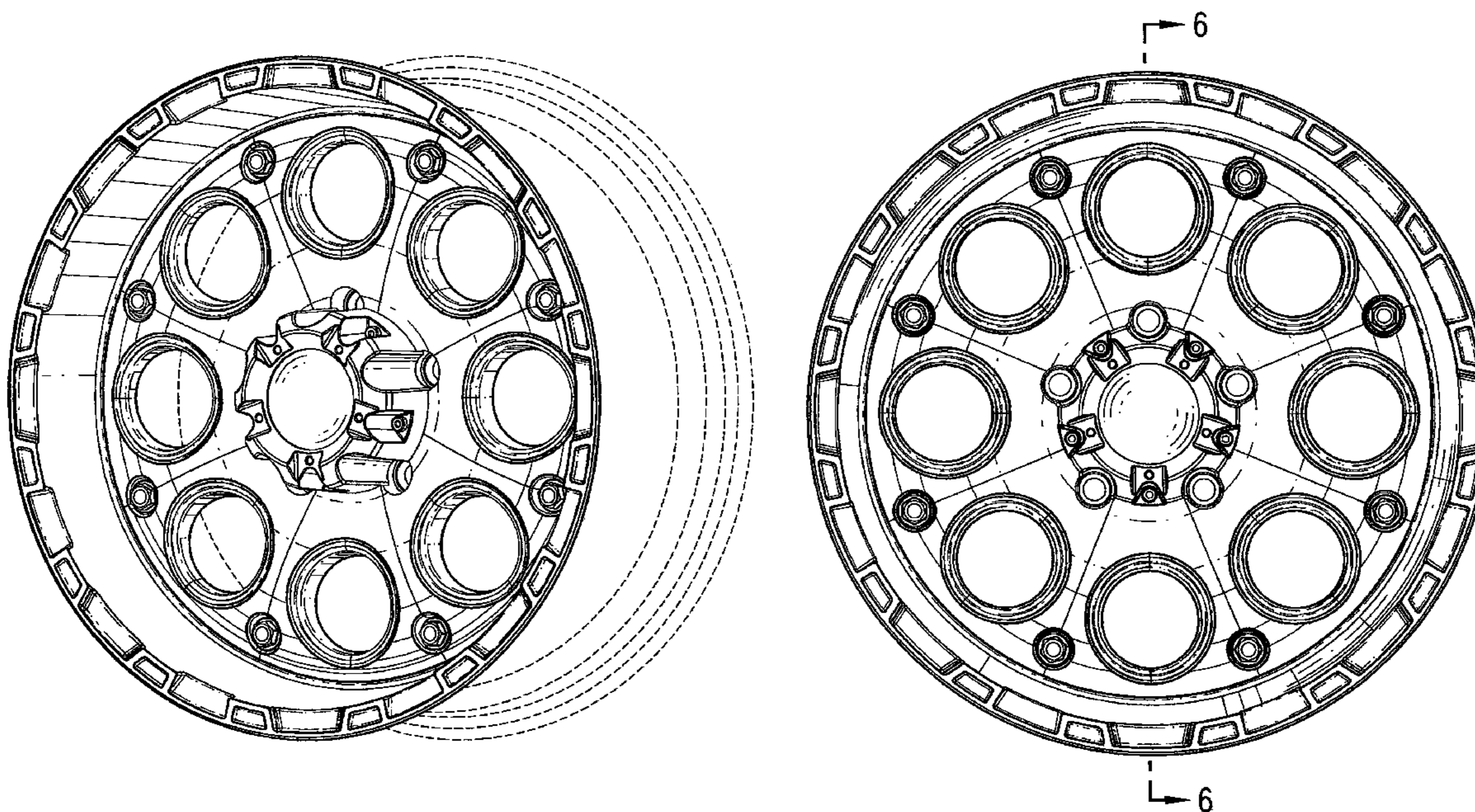
FIG. 4 is a perspective view of the vehicle wheel showing a second embodiment of my new design;

FIG. 5 is a front elevational view thereof; and,

FIG. 6 is a cross-sectional view taken along the lines of 6—6 of FIG. 5.

The broken line showing the environment is for illustrative purposes only and forms no part of the claimed design.

1 Claim, 6 Drawing Sheets



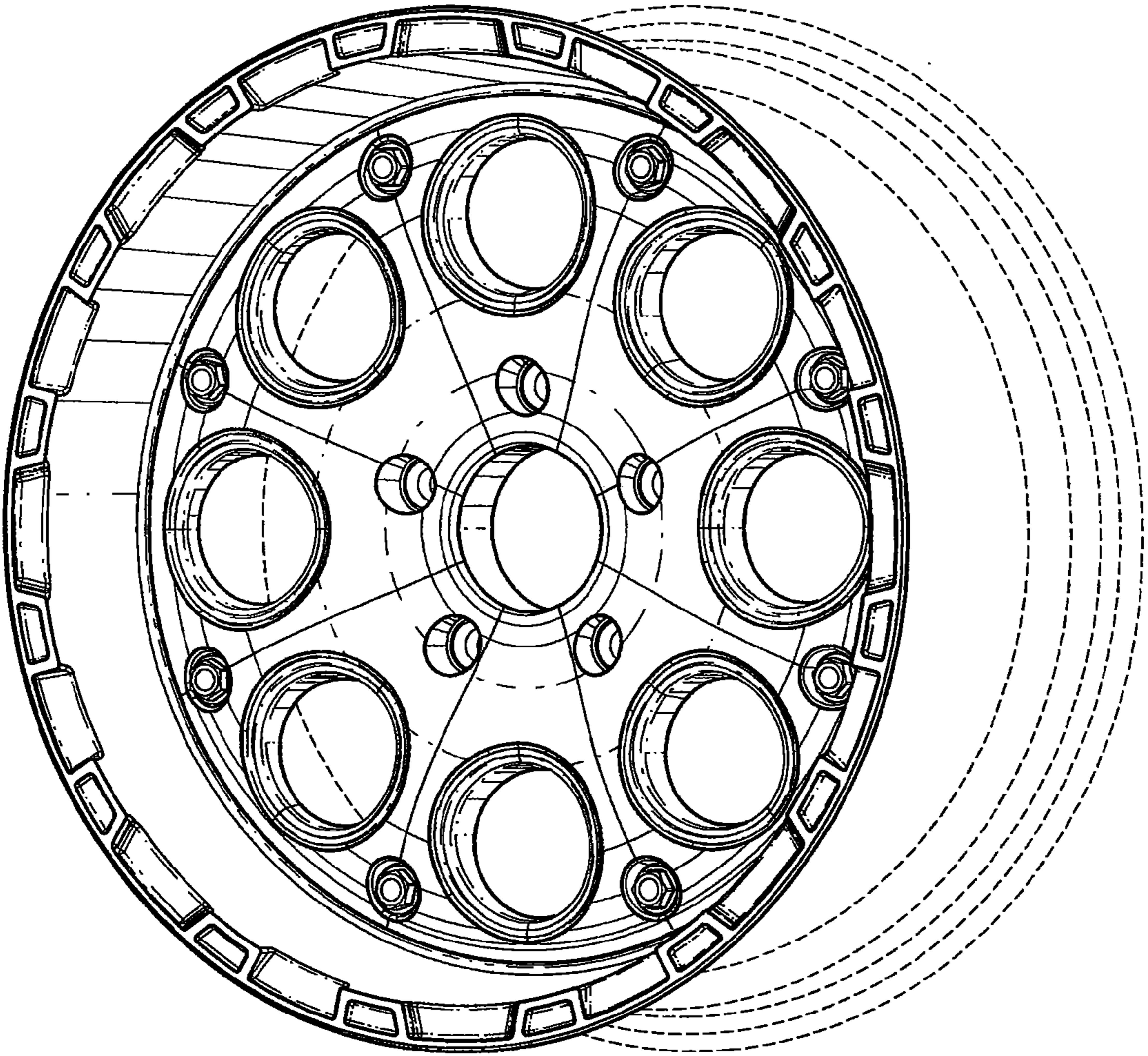


FIG. 1

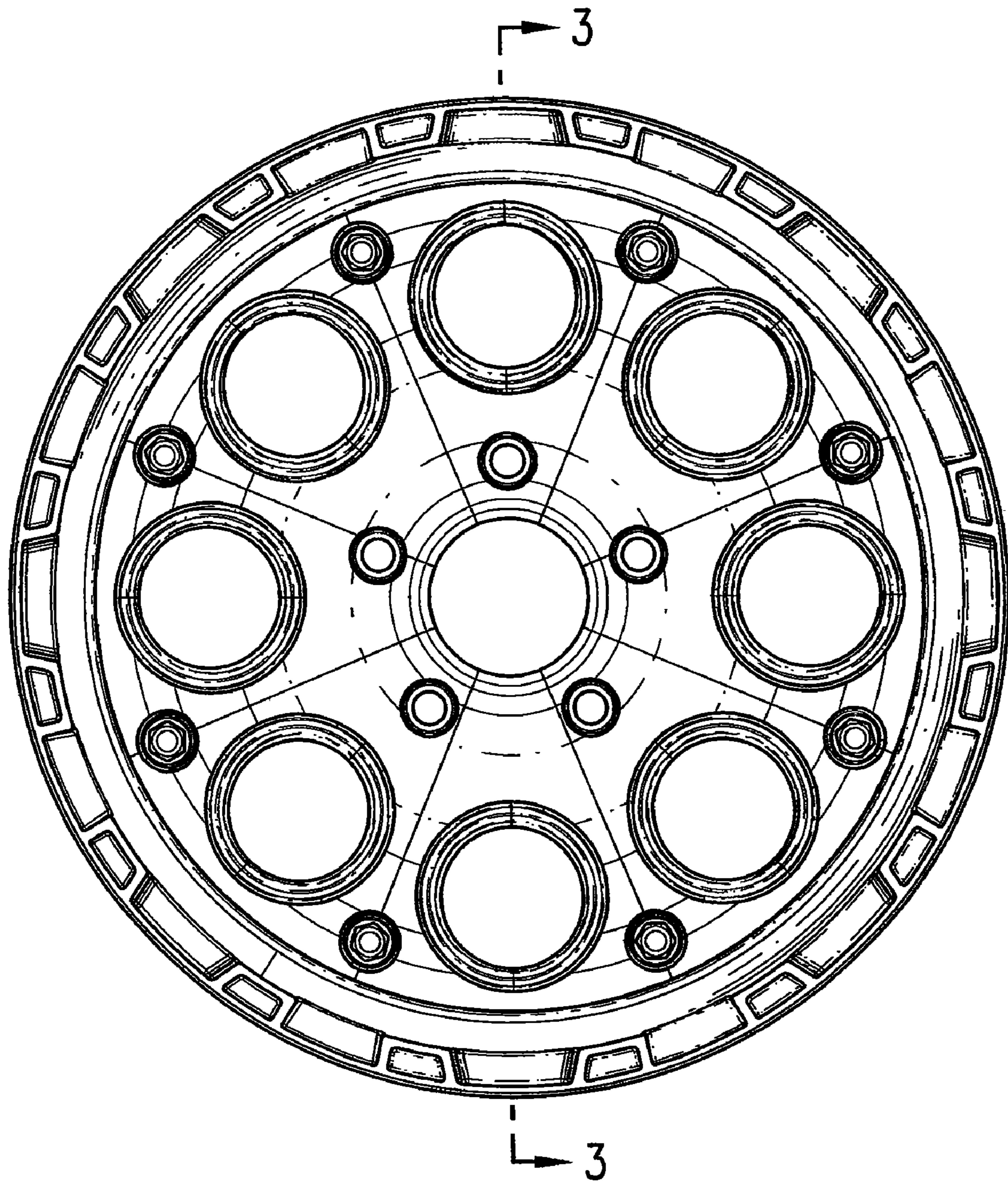


FIG. 2

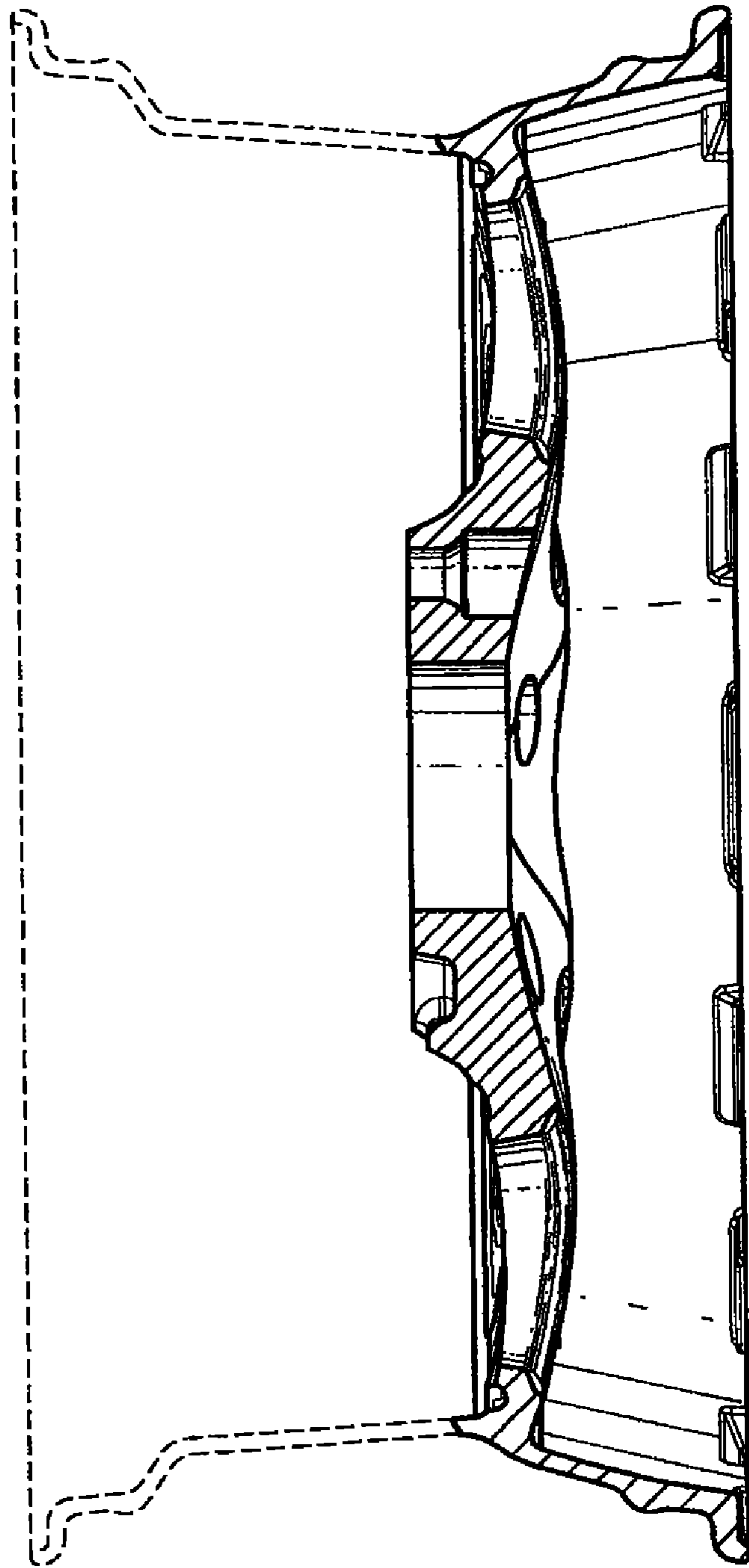


FIG. 3

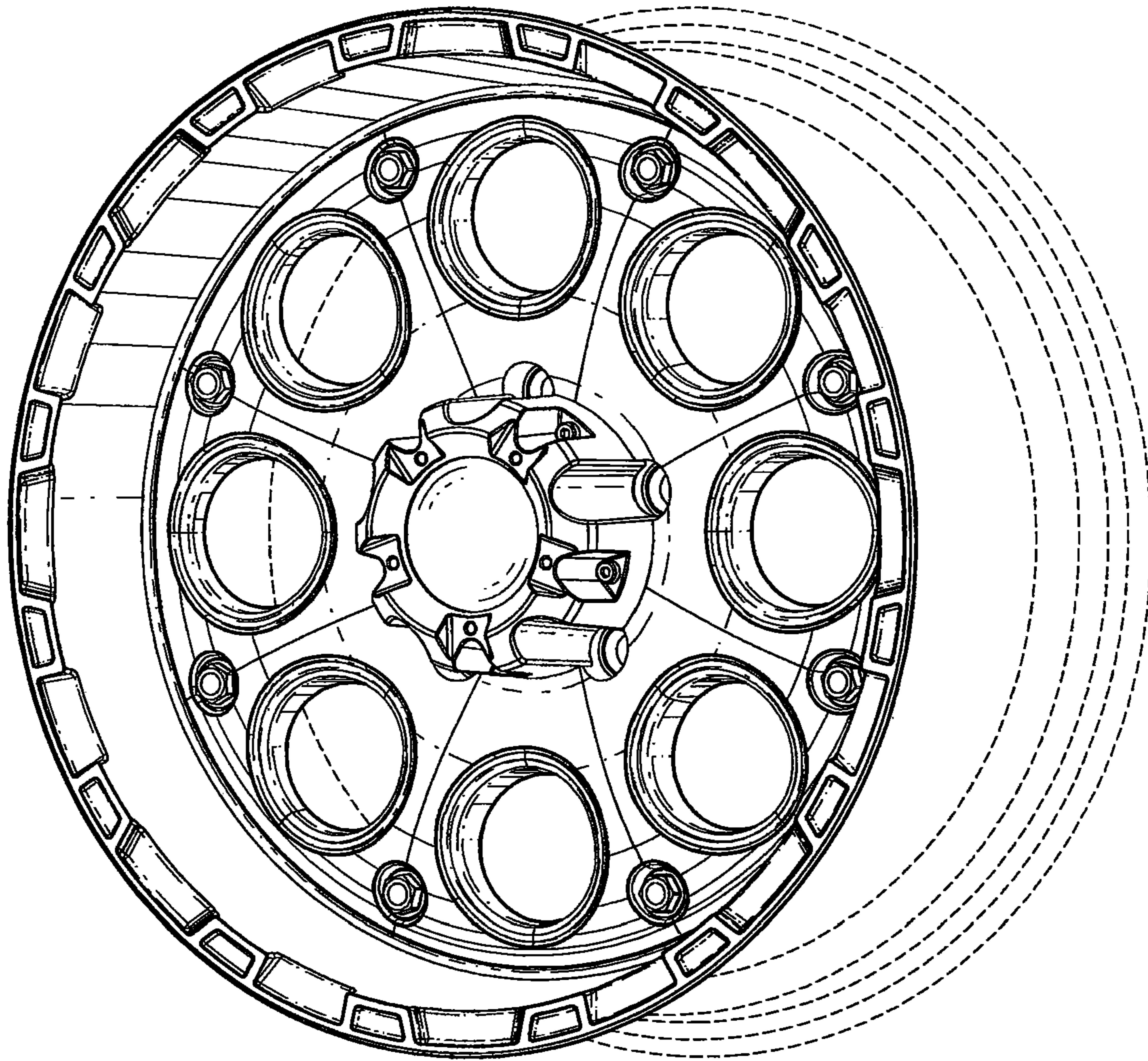


FIG. 4

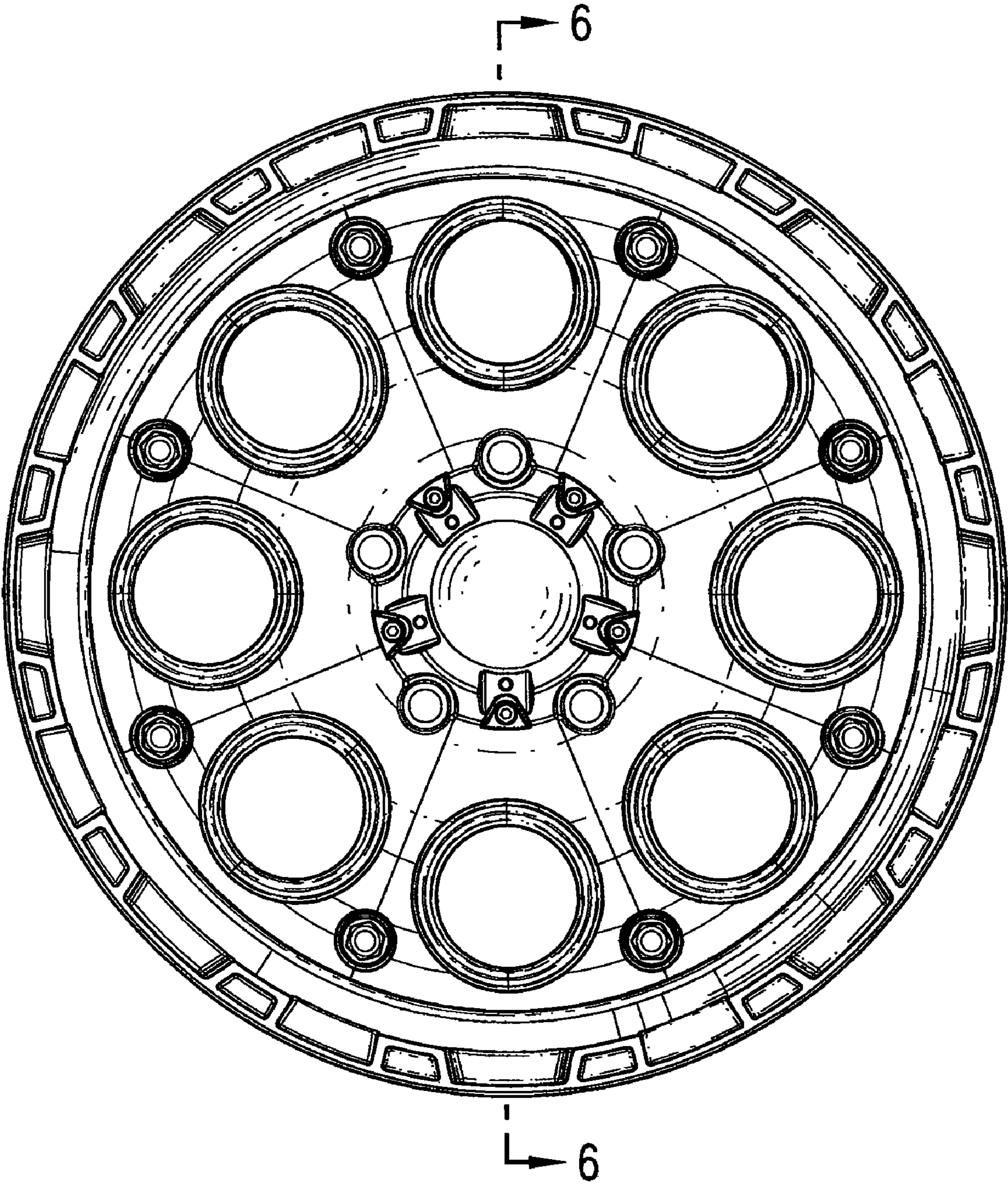


FIG. 5

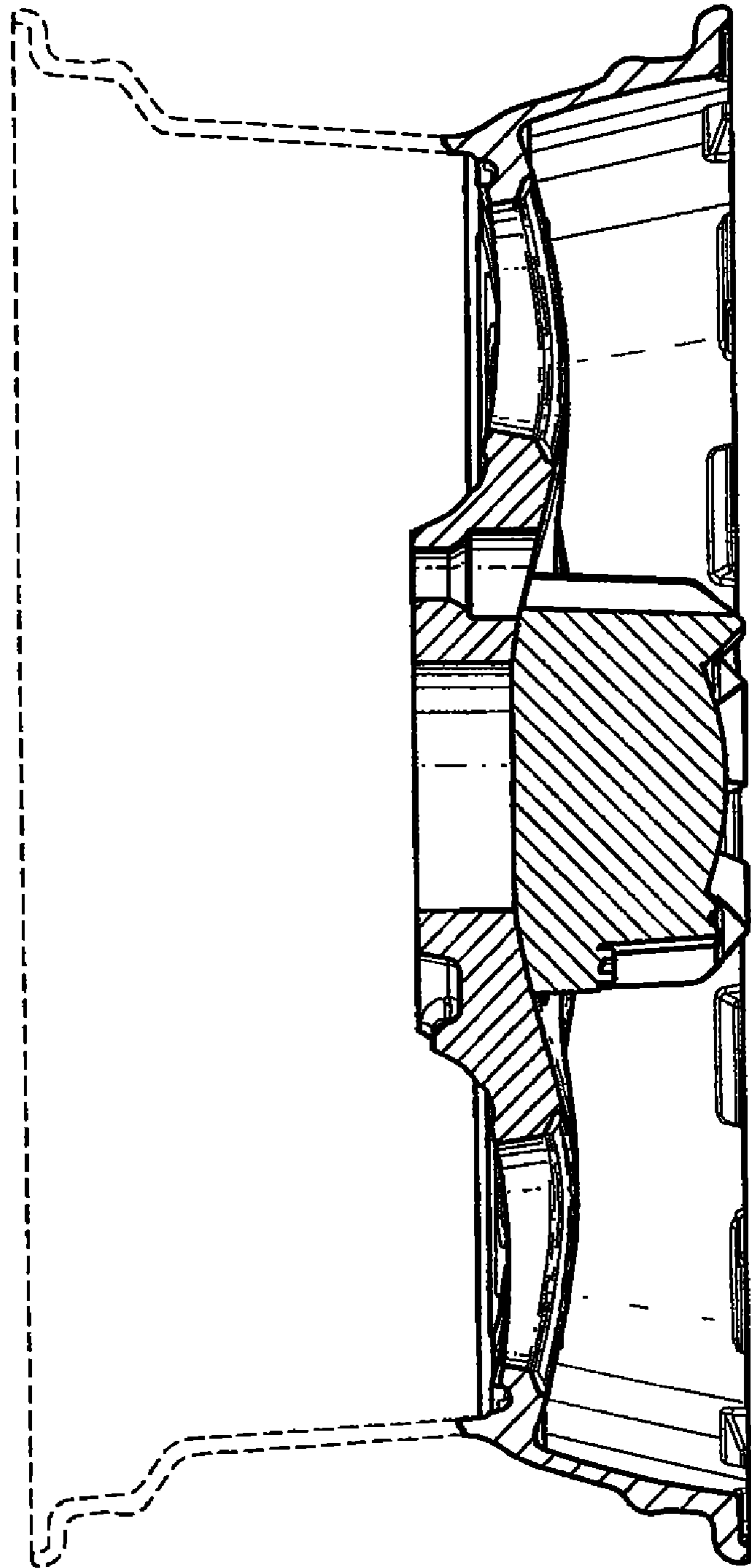


FIG. 6