



US00D582824S

(12) **United States Design Patent**
Kobayashi

(10) **Patent No.:** **US D582,824 S**

(45) **Date of Patent:** **** Dec. 16, 2008**

(54) **REAR GATE FOR AUTOMOBILES**

(75) Inventor: **Daishirou Kobayashi, Wako (JP)**

(73) Assignee: **Honda Motor Co., Ltd., Tokyo (JP)**

(**) Term: **14 Years**

(21) Appl. No.: **29/290,582**

(22) Filed: **Dec. 18, 2007**

(30) **Foreign Application Priority Data**

Jun. 19, 2007 (JP) 2007-016252

(51) **LOC (8) Cl.** **12-16**

(52) **U.S. Cl.** **D12/196**

(58) **Field of Classification Search** D12/196,
D12/90-92, 86; 296/181.1, 181.5

See application file for complete search history.

(56) **References Cited**

U.S. PATENT DOCUMENTS

- D420,317 S * 2/2000 Ney D12/196
- D445,747 S * 7/2001 Martin et al. D12/196
- D457,115 S * 5/2002 Mahoney et al. D12/196
- D481,339 S * 10/2003 McClellan et al. D12/196
- D491,855 S * 6/2004 Velazco D12/196
- D501,167 S * 1/2005 Otto et al. D12/196
- D515,489 S * 2/2006 Tokutake D12/196

- D520,428 S * 5/2006 Iwanaga et al. D12/196
- D520,928 S * 5/2006 Matei et al. D12/196
- D526,607 S * 8/2006 Hagino D12/196
- D540,234 S * 4/2007 Fujimaki D12/196
- D558,658 S * 1/2008 Leclercq D12/196

* cited by examiner

Primary Examiner—Melody N Brown

(74) *Attorney, Agent, or Firm*—Birch, Stewart, Kolasch & Birch, LLP

(57) **CLAIM**

The ornamental design for a rear gate for automobiles, as shown and described.

DESCRIPTION

FIG. 1 is a front view of a rear gate for automobiles showing my new design;

FIG. 2 is a top plan view thereof;

FIG. 3 is a right side view thereof; and,

FIG. 4 is a front left perspective view thereof.

The left side view is a mirror image of the right side view. The rear and bottom are unornamented.

The portions in the drawings shown in broken lines are for environmental purposes and form no part of the claimed design.

1 Claim, 2 Drawing Sheets

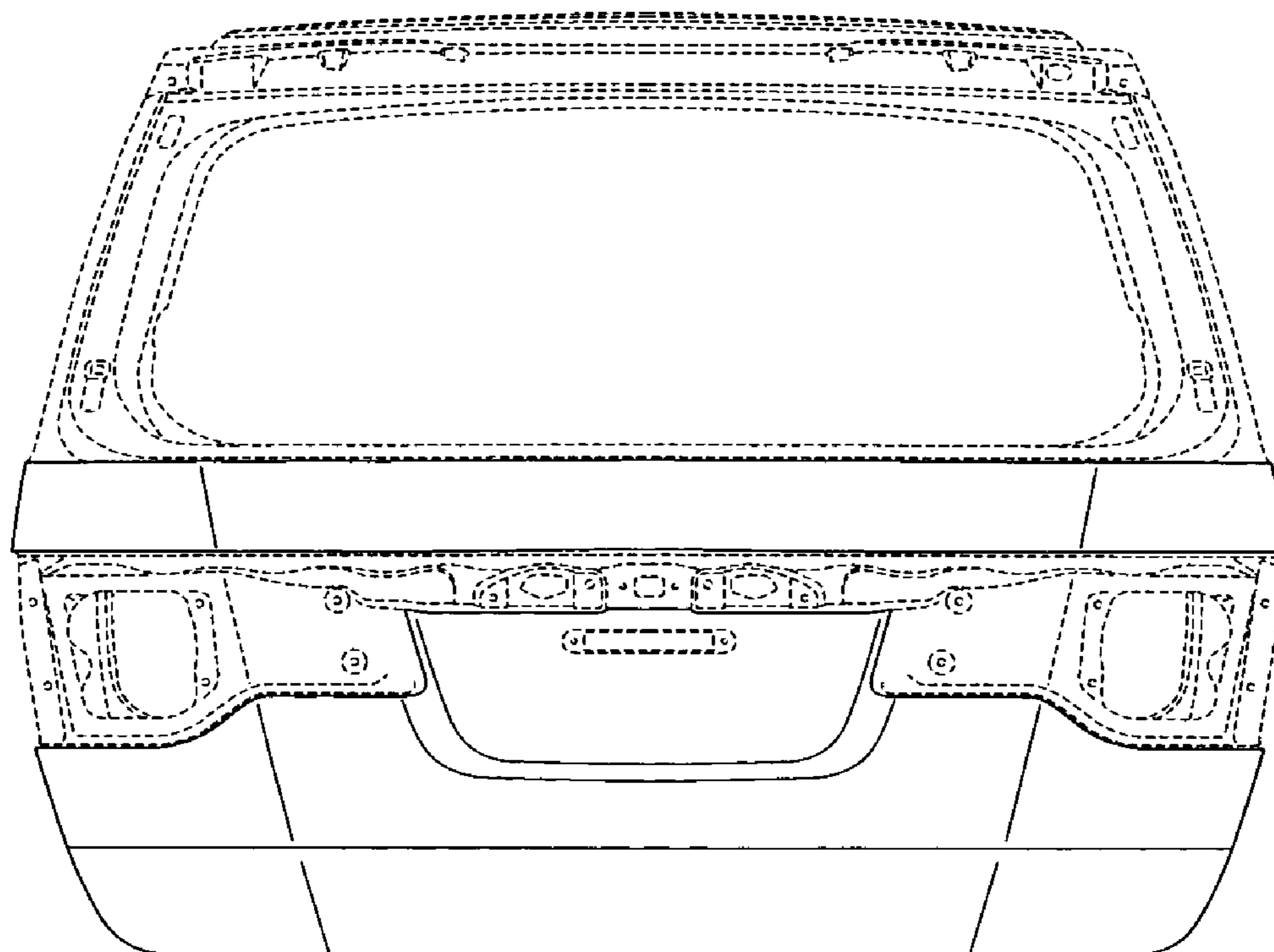


FIG.1

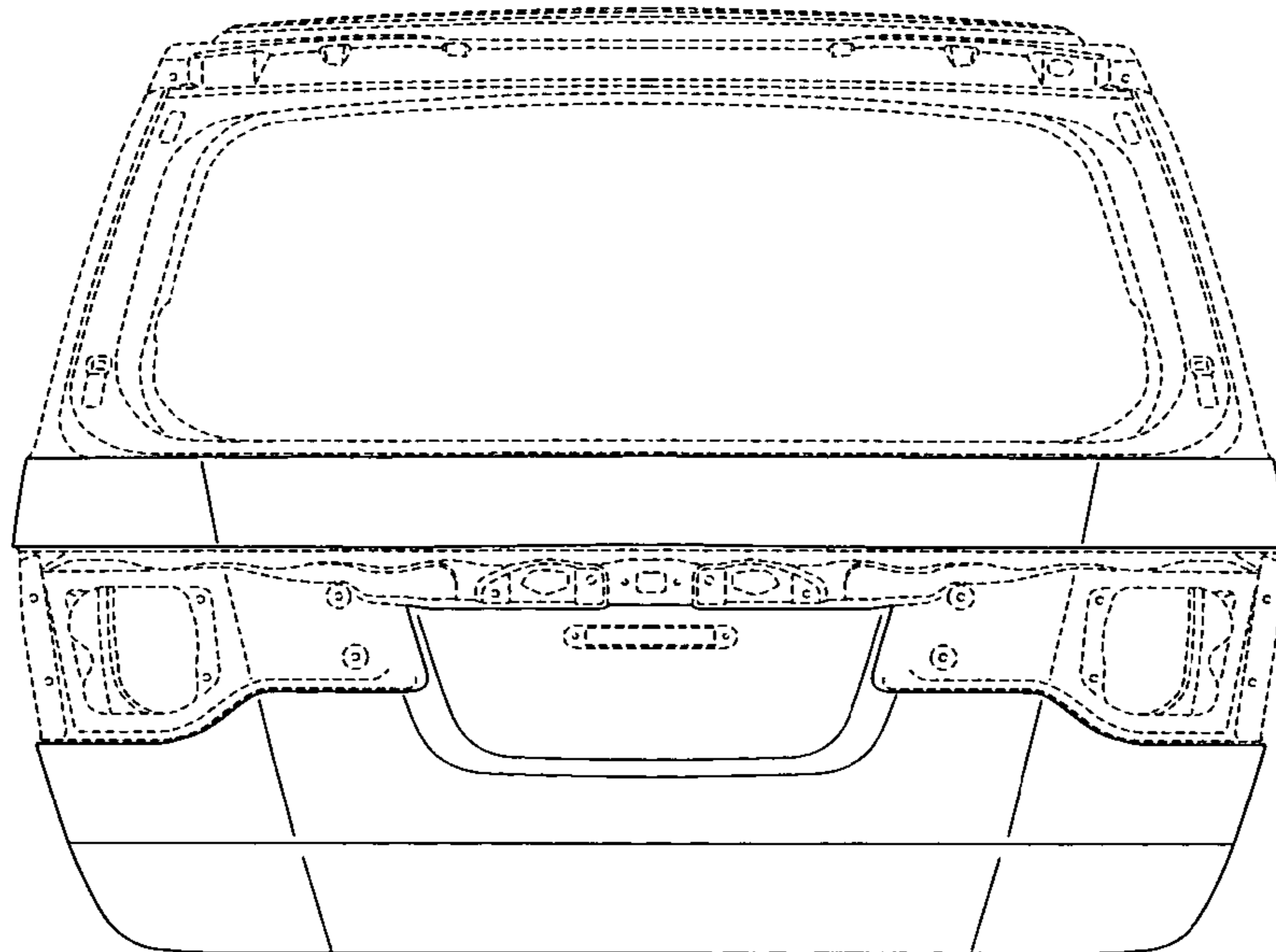


FIG.2

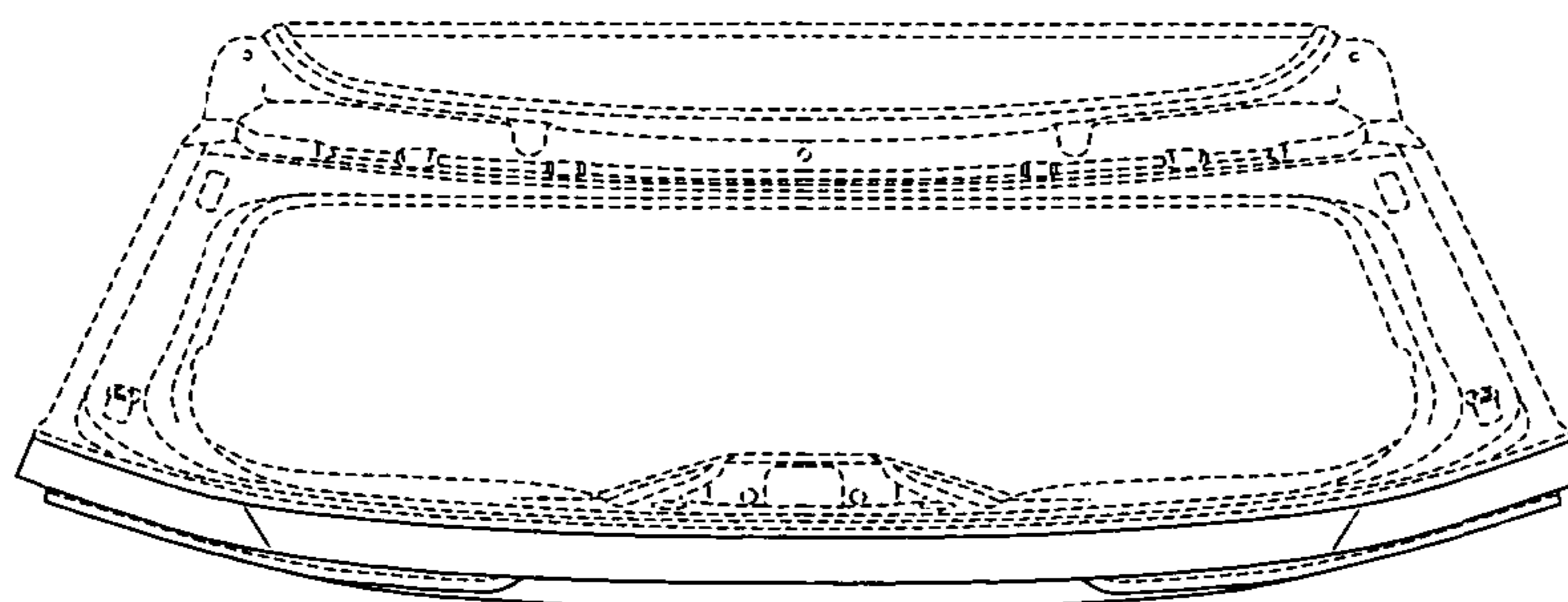


FIG.3

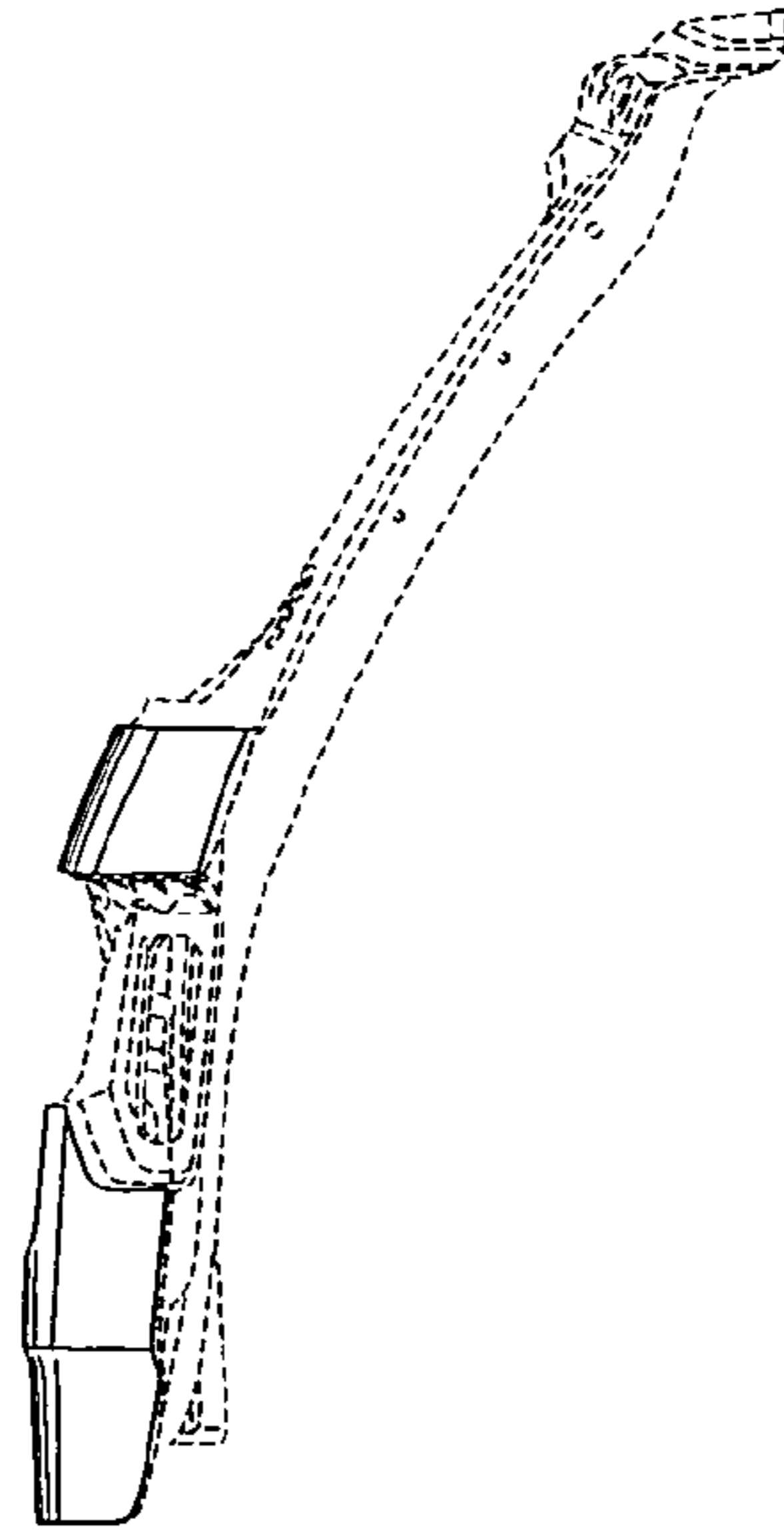


FIG.4

