



US00D582820S

(12) **United States Design Patent**
Schell et al.

(10) **Patent No.:** **US D582,820 S**

(45) **Date of Patent:** **** Dec. 16, 2008**

(54) **FRONT BUMPER FOR AUTOMOBILES**

D550,594 S * 9/2007 Pfeiffer D12/169
D570,749 S * 6/2008 Sato et al. D12/169

(75) Inventors: **Damon A. Schell**, Torrance, CA (US);
Tatsuya Oda, Wako (JP)

* cited by examiner

(73) Assignee: **Honda Motor Co., Ltd.**, Tokyo (JP)

Primary Examiner—Melody N Brown

(**) Term: **14 Years**

(74) *Attorney, Agent, or Firm*—Westerman, Hattori, Daniels
& Adrian, LLP.

(21) Appl. No.: **29/290,594**

(57) **CLAIM**

(22) Filed: **Dec. 19, 2007**

The ornamental design for a front bumper for automobiles, as shown and described.

(51) **LOC (8) Cl.** **12-16**

(52) **U.S. Cl.** **D12/169**

(58) **Field of Classification Search** D12/169,
D12/196, 171, 163, 216, 90-92, 86; 293/102,
293/113, 115, 117, 120; 296/180.1, 180.2
See application file for complete search history.

DESCRIPTION

FIG. 1 is a front view of the front bumper;
FIG. 2 is a top plan view of the front bumper;
FIG. 3 is a right side view of the front bumper, the left side being a mirror image thereof; and,
FIG. 4 is a front perspective view of the front bumper.
The portions in broken lines represent environmental structure and form no part of the claimed design.

(56) **References Cited**

U.S. PATENT DOCUMENTS

D531,098 S * 10/2006 Hiruta et al. D12/169
D535,231 S * 1/2007 Otsubo et al. D12/169

1 Claim, 2 Drawing Sheets

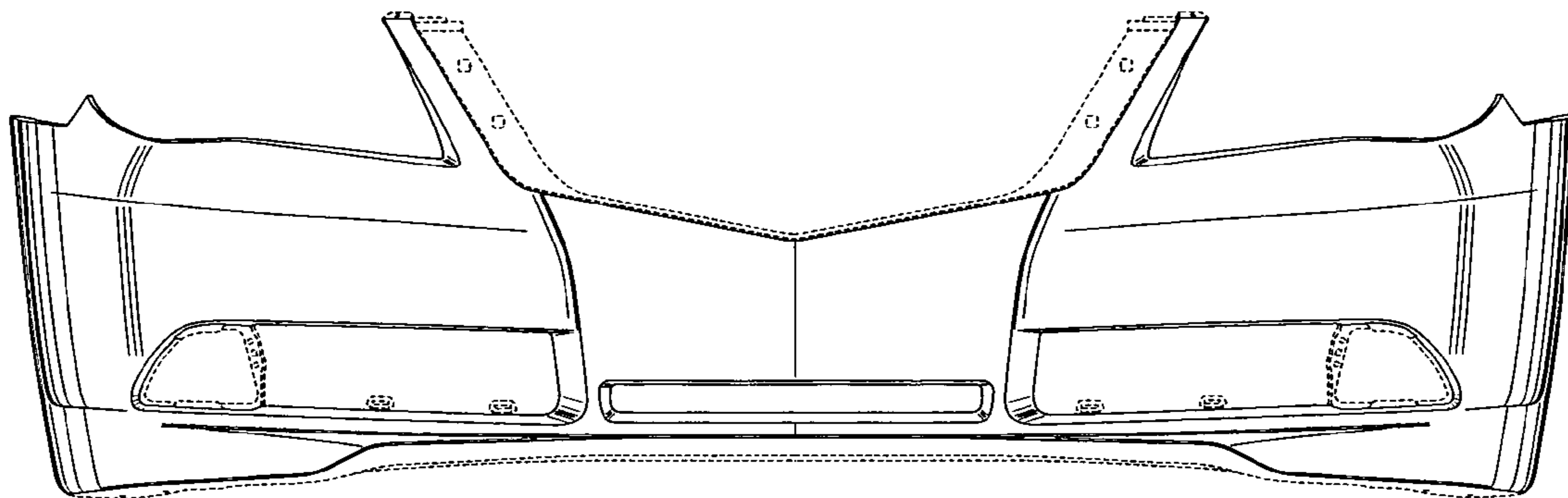


FIG.1

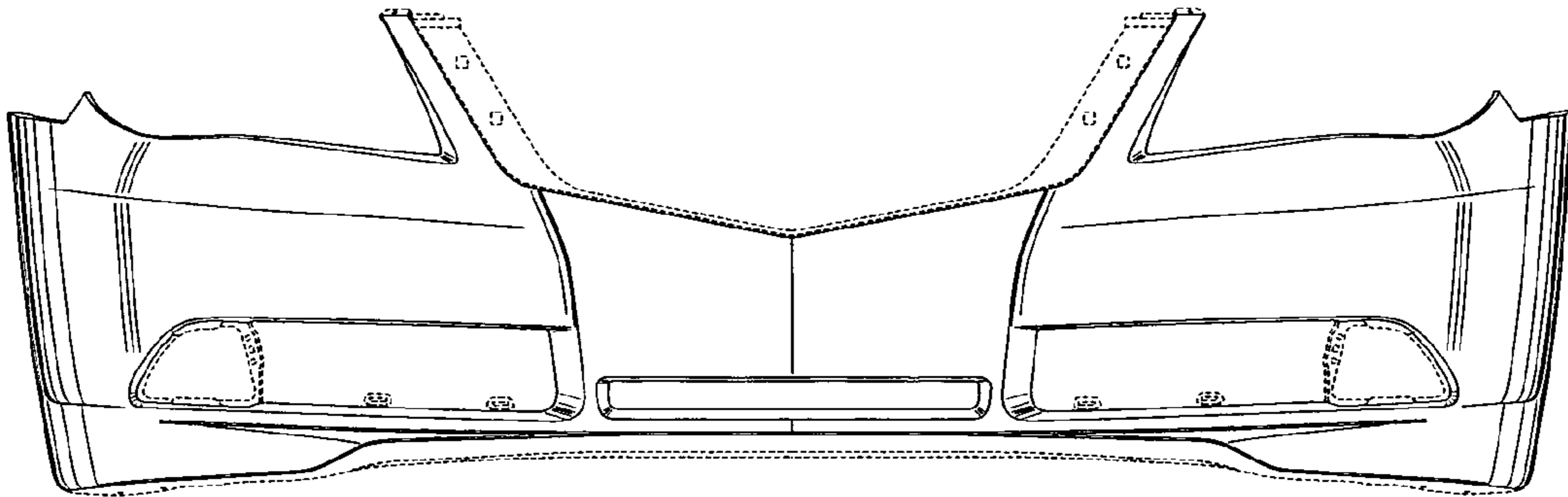


FIG.2

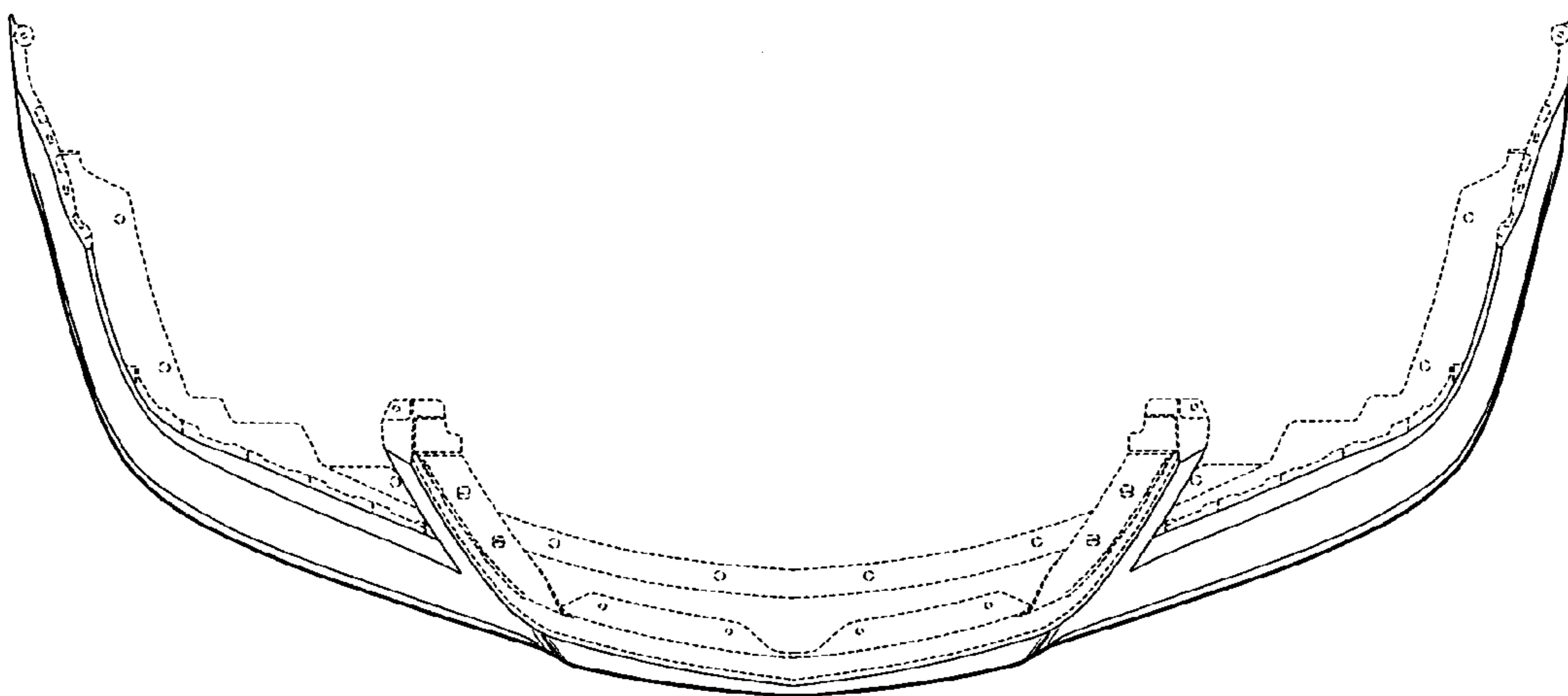


FIG.3

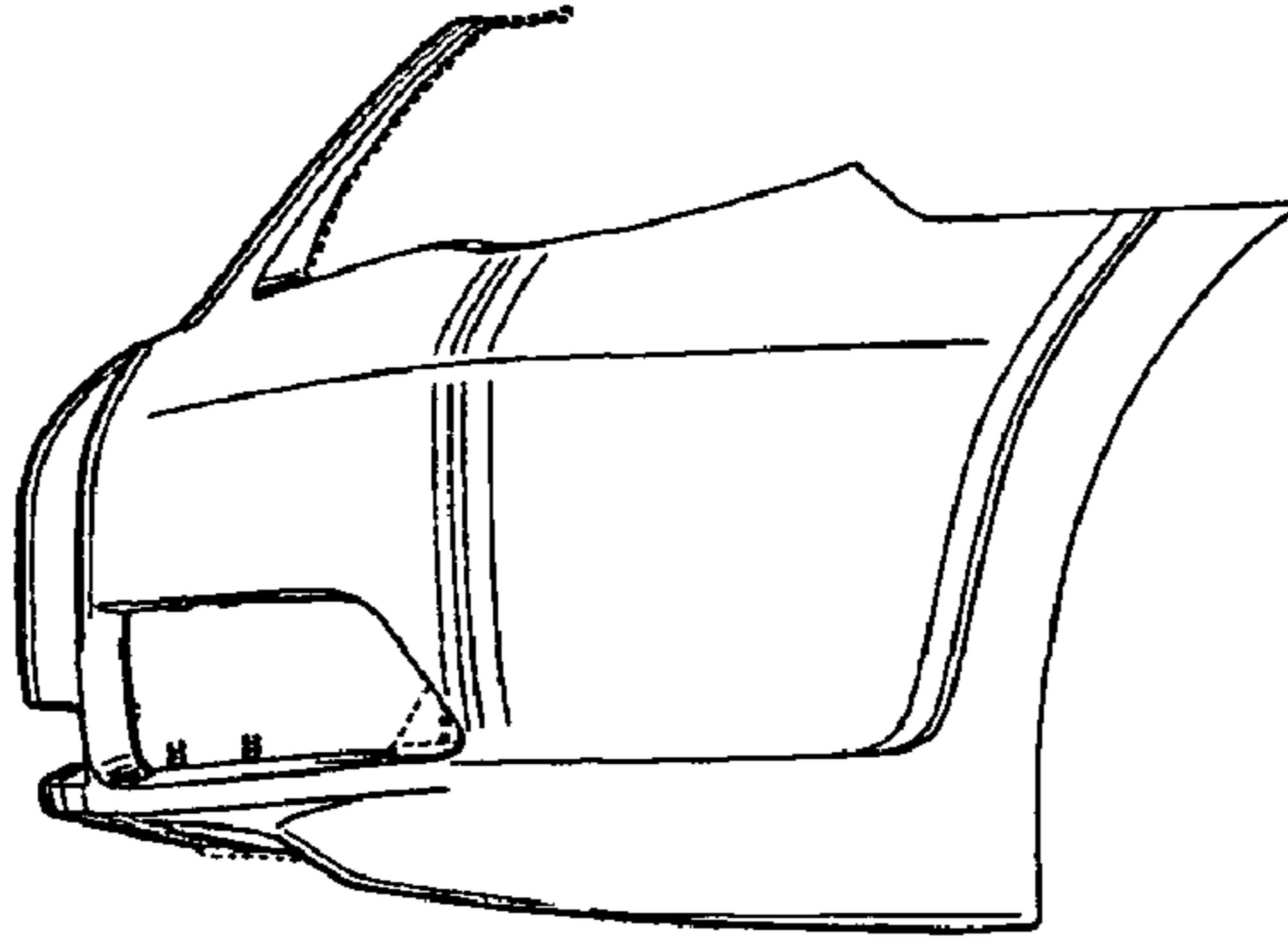


FIG.4

