



US00D582814S

(12) **United States Design Patent**
Ball et al.

(10) **Patent No.:** **US D582,814 S**
(45) **Date of Patent:** **** Dec. 16, 2008**

(54) **WATER METER HOUSING**

5,339,686 A 8/1994 DeJarlais et al.

(75) Inventors: **Marty Scott Ball**, Jonesville, NC (US);
Jeremy Alan McCraven, Kannapolis,
NC (US)

(Continued)

FOREIGN PATENT DOCUMENTS

(73) Assignee: **Hersey Meter Company**, Cleveland,
NC (US)

DE 196 24 139 A1 12/1997

(Continued)

(**) Term: **14 Years**

OTHER PUBLICATIONS

(21) Appl. No.: **29/302,559**

<http://www.ptb.de/de/org/1/nachrichten1/2005/gesellschaft/wasserzaehler1.jpg>, dated Jan. 16, 2008.

(22) Filed: **Jan. 18, 2008**

(Continued)

(51) **LOC (8) Cl.** **10-04**

Primary Examiner—Antoine D Davis

(52) **U.S. Cl.** **D10/96; D10/99**

(74) *Attorney, Agent, or Firm*—Alston & Bird LLP

(58) **Field of Classification Search** D10/96,
D10/99; 73/195–203, 276, 264, 272 R–274,
73/861.75, 861.77, 861.79, 861.33; 251/205,
251/208

(57) **CLAIM**

See application file for complete search history.

The ornamental design for a water meter housing, as shown and described.

(56) **References Cited**

DESCRIPTION

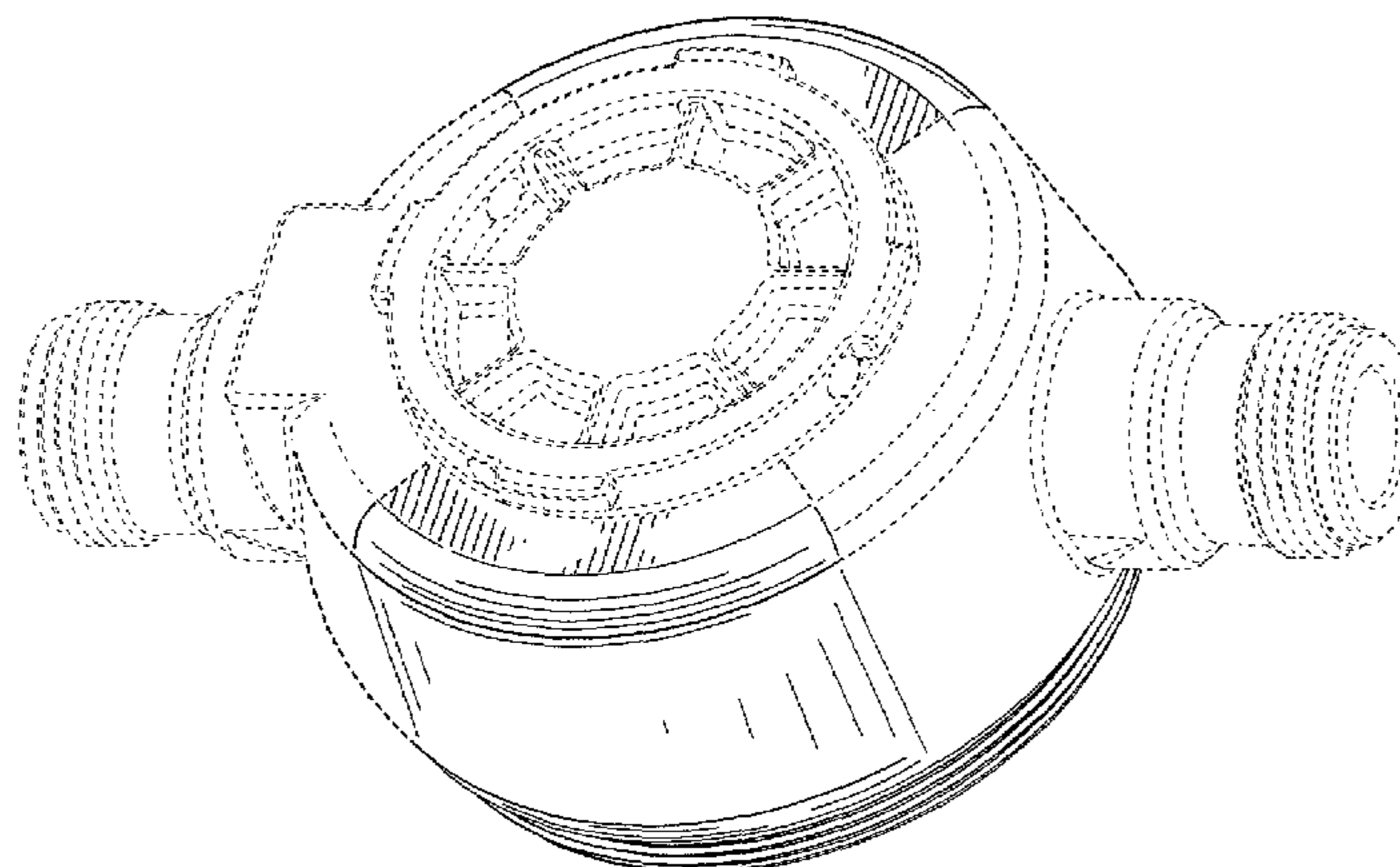
U.S. PATENT DOCUMENTS

3,435,679 A	4/1969	Davis
3,440,879 A	4/1969	Frayssinoux
3,777,565 A	12/1973	Munier et al.
3,990,299 A	11/1976	Coffman
4,334,443 A	6/1982	Pearson
4,391,139 A	7/1983	Sutherland et al.
4,422,325 A	12/1983	Sutherland et al.
4,461,174 A	7/1984	Han
4,489,600 A	12/1984	Han
4,570,497 A	2/1986	Han
D283,204 S	4/1986	McDonald
4,614,113 A	9/1986	Daghe et al.
4,643,523 A	2/1987	Smedley et al.
4,663,970 A	5/1987	Sutherland
4,778,204 A	10/1988	Berger
5,052,721 A	10/1991	Gorman, Jr.
5,251,480 A	10/1993	Brunson, IV et al.
5,261,275 A	11/1993	Davis
D348,018 S	6/1994	Poleshuk et al.
D349,661 S	8/1994	DeJarlais et al.

FIG. 1 is a perspective view of a water meter housing showing our new design;
 FIG. 2 is a bottom plan view thereof;
 FIG. 3 is a top plan view thereof;
 FIG. 4 is a front elevation view thereof;
 FIG. 5 is a rear elevation view thereof;
 FIG. 6 is a left side elevation view thereof;
 FIG. 7 is a right side elevation view thereof;
 FIG. 8 is another perspective view thereof shown in an exploded view with a base cap;
 FIG. 9 is a front elevation view thereof; and,
 FIG. 10 is a cross-sectional view taken along line 10—10 of FIG. 3.

The broken lines shown herein are for illustrative purposes only and form no part of the claimed design.

1 Claim, 10 Drawing Sheets



US D582,814 S

Page 2

U.S. PATENT DOCUMENTS

5,341,686 A 8/1994 Chai
5,546,801 A * 8/1996 Swinson et al. 73/273
5,557,041 A 9/1996 Sanford, Jr.
5,831,158 A 11/1998 Schloetterer et al.
6,178,816 B1 1/2001 Katzman et al.
6,345,541 B1 2/2002 Hendey
D472,835 S 4/2003 Hendey
6,581,458 B1 6/2003 Hathaway et al.
6,588,447 B1 7/2003 Hendey
6,748,802 B1 6/2004 Hendey
6,848,303 B2 2/2005 Oeder et al.
6,925,867 B2 8/2005 Mercier
6,931,946 B1 8/2005 Hendey
7,043,980 B2 5/2006 Frank
7,093,484 B2 8/2006 Frank
7,281,437 B2 10/2007 Berkovitch
D559,717 S * 1/2008 Hendey D10/96
7,412,882 B2 * 8/2008 Lazar et al. 73/273
2004/0113812 A1 6/2004 Bianchi et al.
2004/0206175 A1 10/2004 Oeder et al.
2004/0255668 A1 12/2004 Mercier
2004/0261523 A1 12/2004 Cognot

FOREIGN PATENT DOCUMENTS

DE 197 46 153 A1 10/1998
EP 0 512 325 A2 11/1992
EP 0 841 543 A1 5/1998
EP 0 943 898 A2 9/1999
EP 1 031 819 A1 8/2000
EP 1 111 348 A2 6/2001
EP 1 378 731 A1 1/2004

WO WO 93/22631 A1 11/1993
WO WO 94/29677 A1 12/1994
WO WO 2007/104320 A2 9/2007

OTHER PUBLICATIONS

[http://upload.wikimedia.org/wikipedia/commons/thumb/b/b6/Wasserzähler_Schmitt\).jpg/691px-Wasserz...](http://upload.wikimedia.org/wikipedia/commons/thumb/b/b6/Wasserzähler_Schmitt).jpg/691px-Wasserz...), dated Jan. 16, 2008.
http://img.alibaba.com/photo/11567655/Plastic_Water_Meter.jpg, dated Jan. 16, 2008.
http://upload.wikimedia.org/wikipedia/en/e/ee/Water_meter.jpg, dated Jan. 16, 2008.
http://www.aquascapeinc.com/products/aquascapepro/images/plumbing_water_meter.jpg, dated Jan. 16, 2008.
http://img.alibaba.com/photo/50583792/Plastic_Water_Meter.jpg, dated Jan. 16, 2008.
http://img.alibaba.com/photo/200038390/Plastic_body_fan_wheel_water_meter.jpg, dated Jan. 16, 2008.
http://img.alibaba.com/photo/200838717/Environmental_Protection_Plastic_Water_Meter.jpg, dated Jan. 16, 2008.
http://pics.davegarden.com/pics/watermeters_1104846287_570.jpg, dated Jan. 16, 2008.
DoubleSafe™ Transition Fittings from GF Piping Systems, Georg Fischer Piping Systems, #M183 (Nov. 2007), 2 pages.
Strong and Reliable Metal-to-Plastic Transitions, Transition Fittings, BR-2-0305, 2 pages.
GL Piping Systems' New Metal-to-Plastic Transition Fittings Provide Strong, Leak-Proof Seals, available at <http://license.icopyright.net/user/viewFreeUse.act?fluid=MTcxNzE4MA%D%3D>, dated Oct. 16, 2008, 2 pages.
Untitled product image (undated).

* cited by examiner

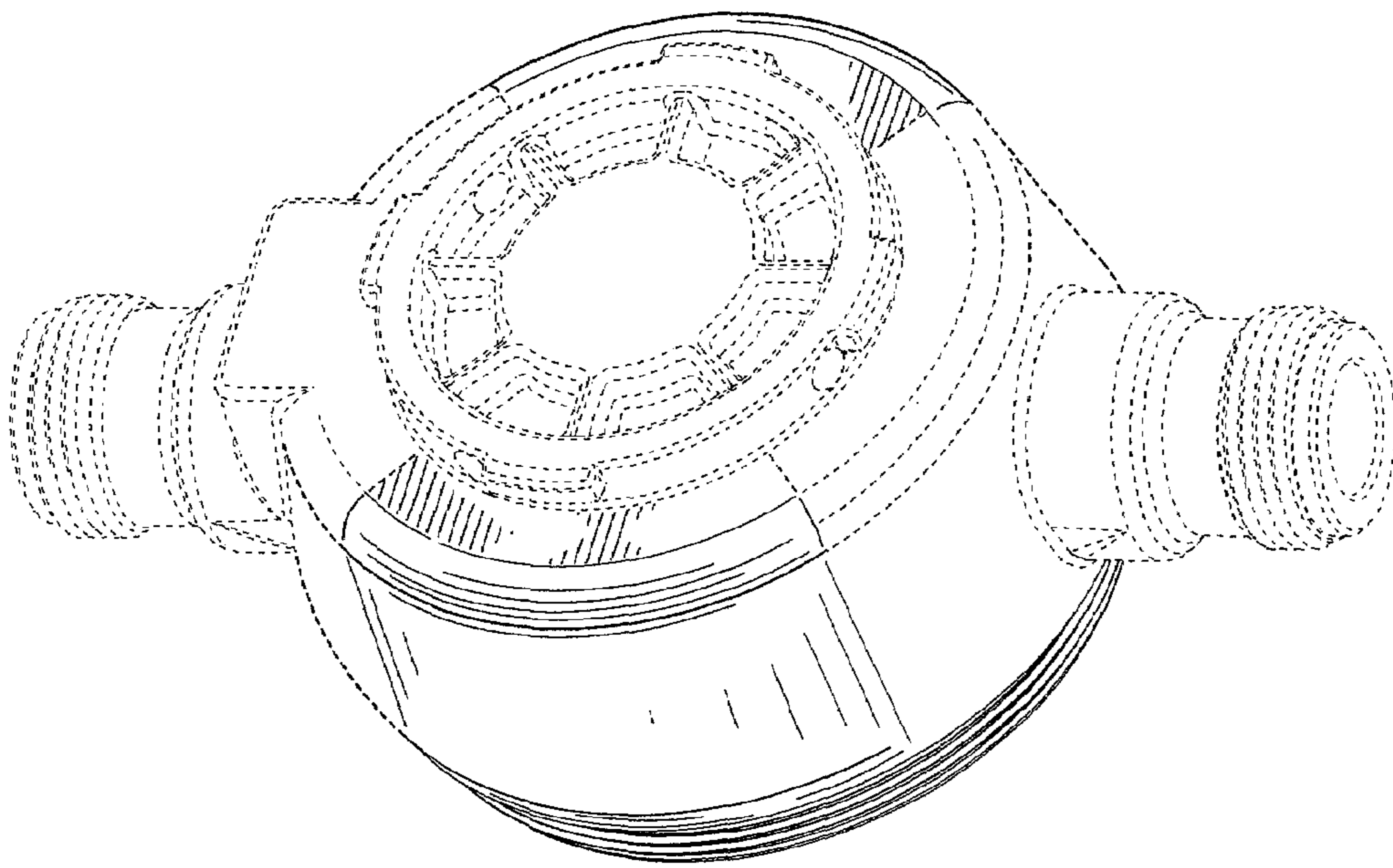


FIG. 1

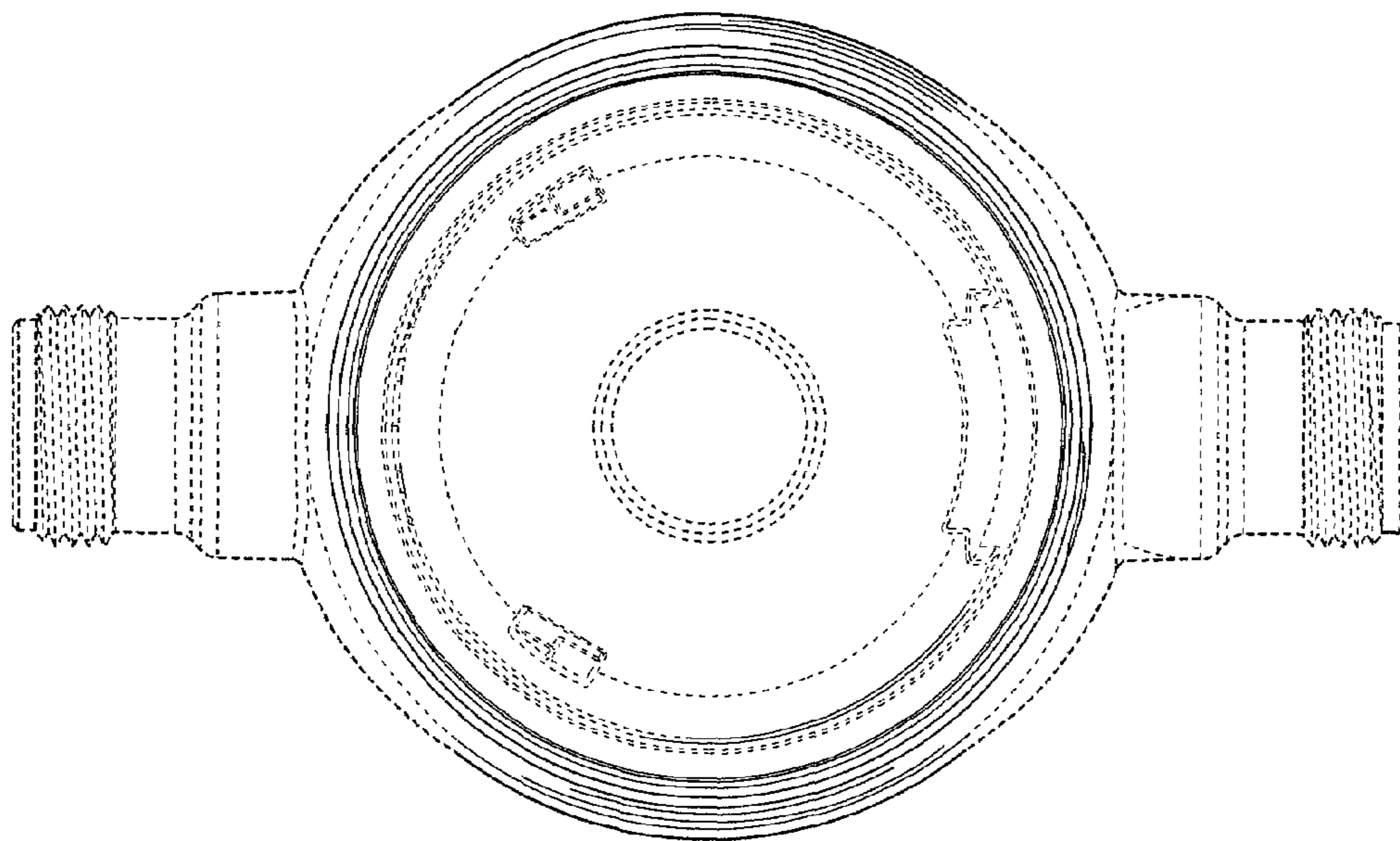


FIG. 2

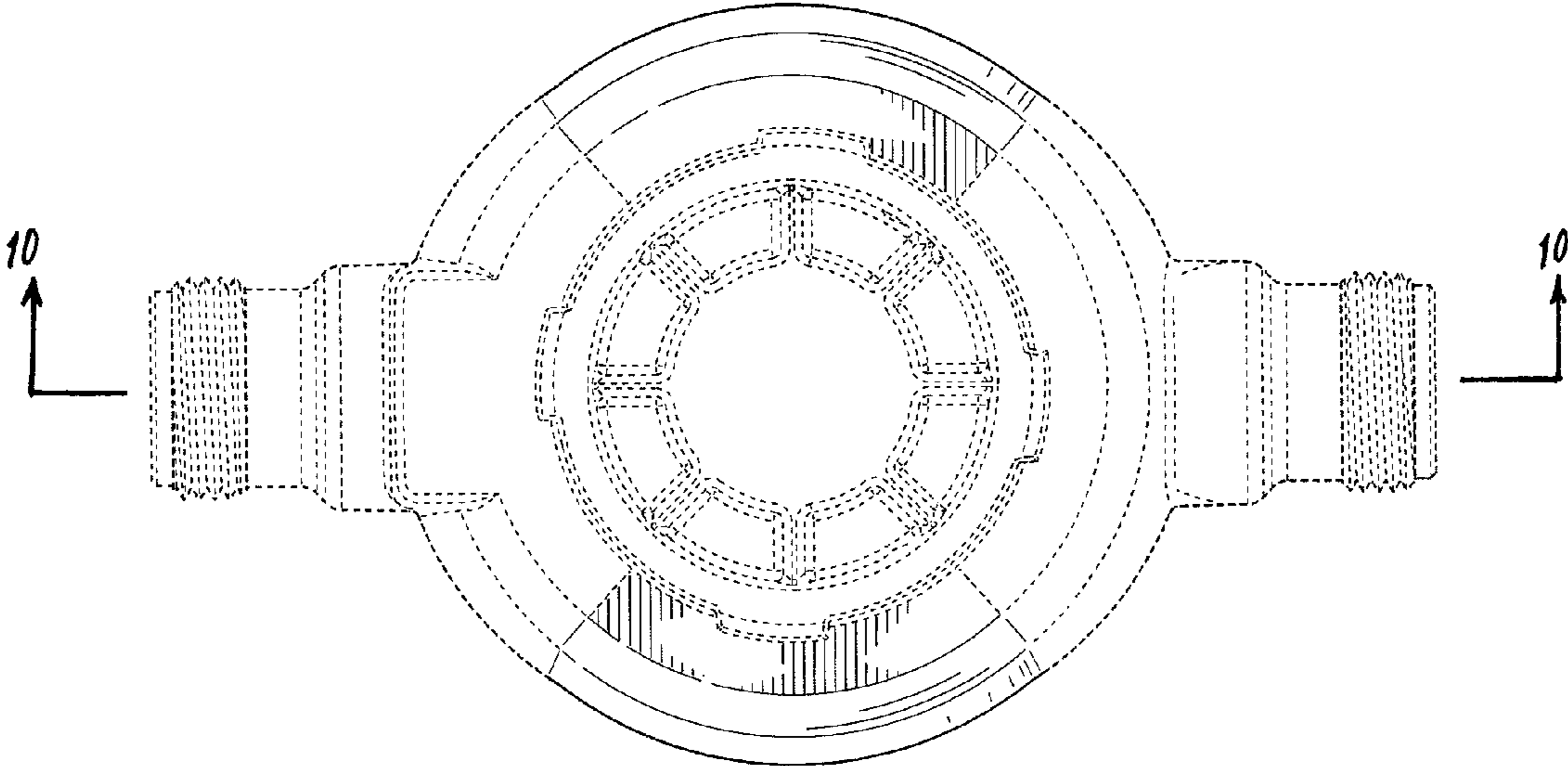


FIG. 3

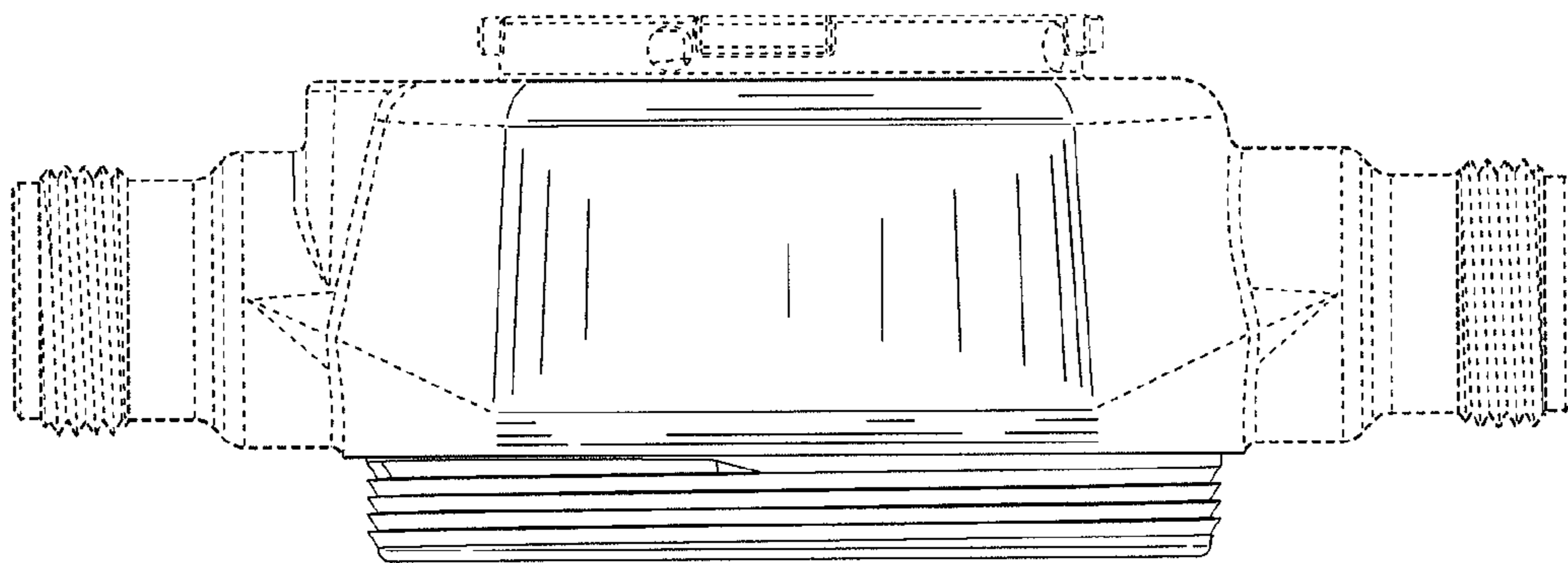


FIG. 4

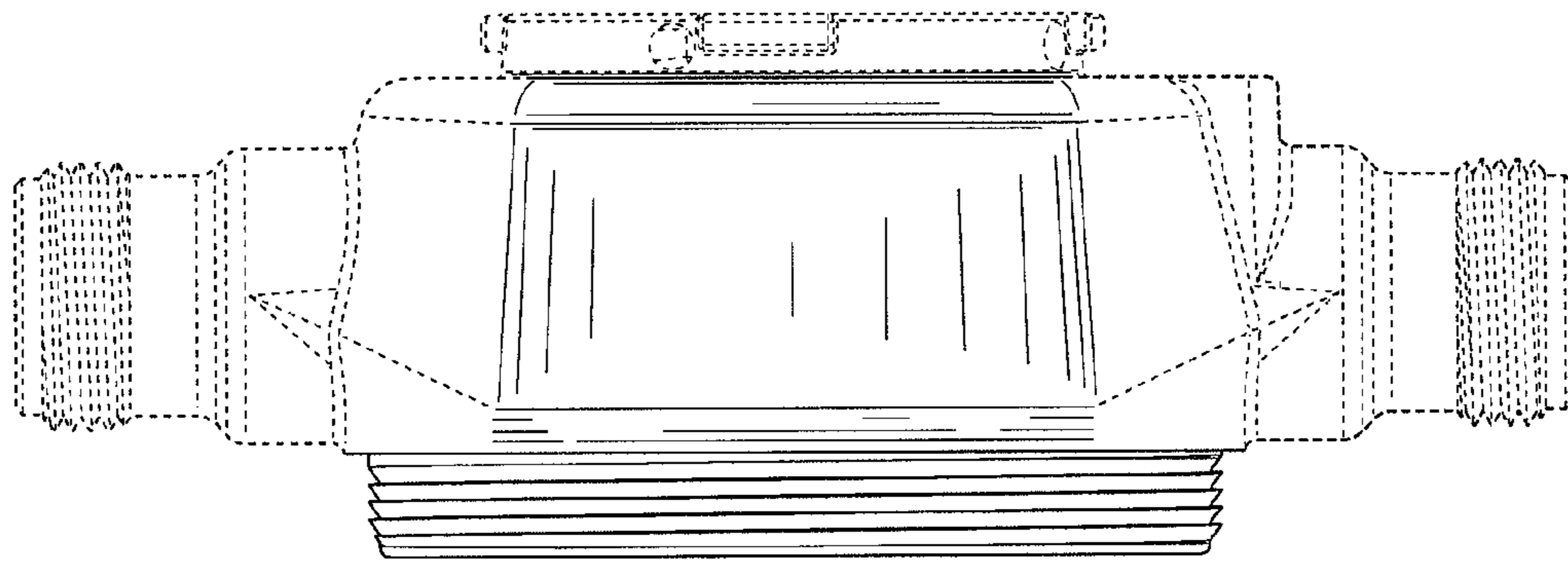


FIG. 5

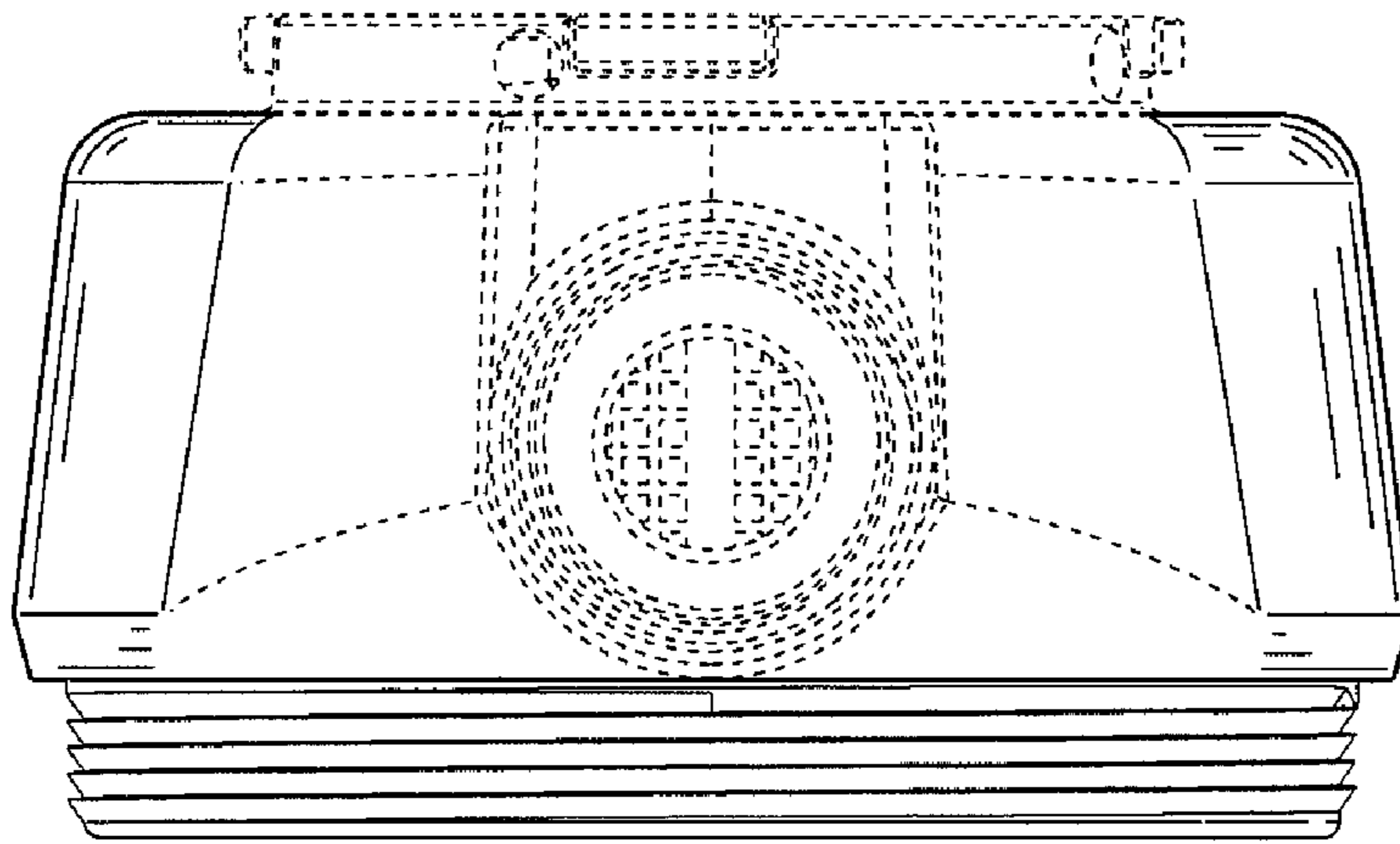


FIG. 6

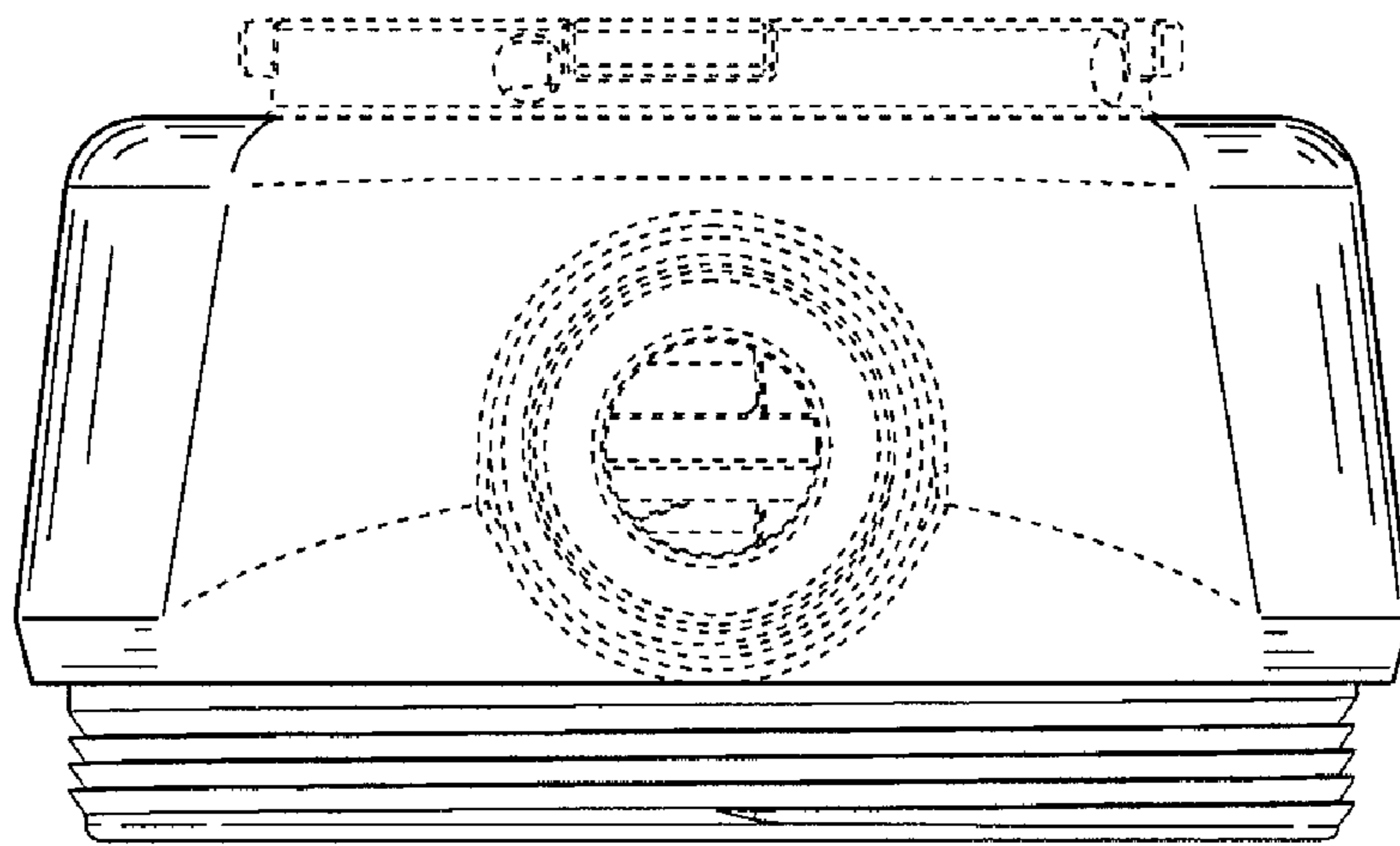


FIG. 7

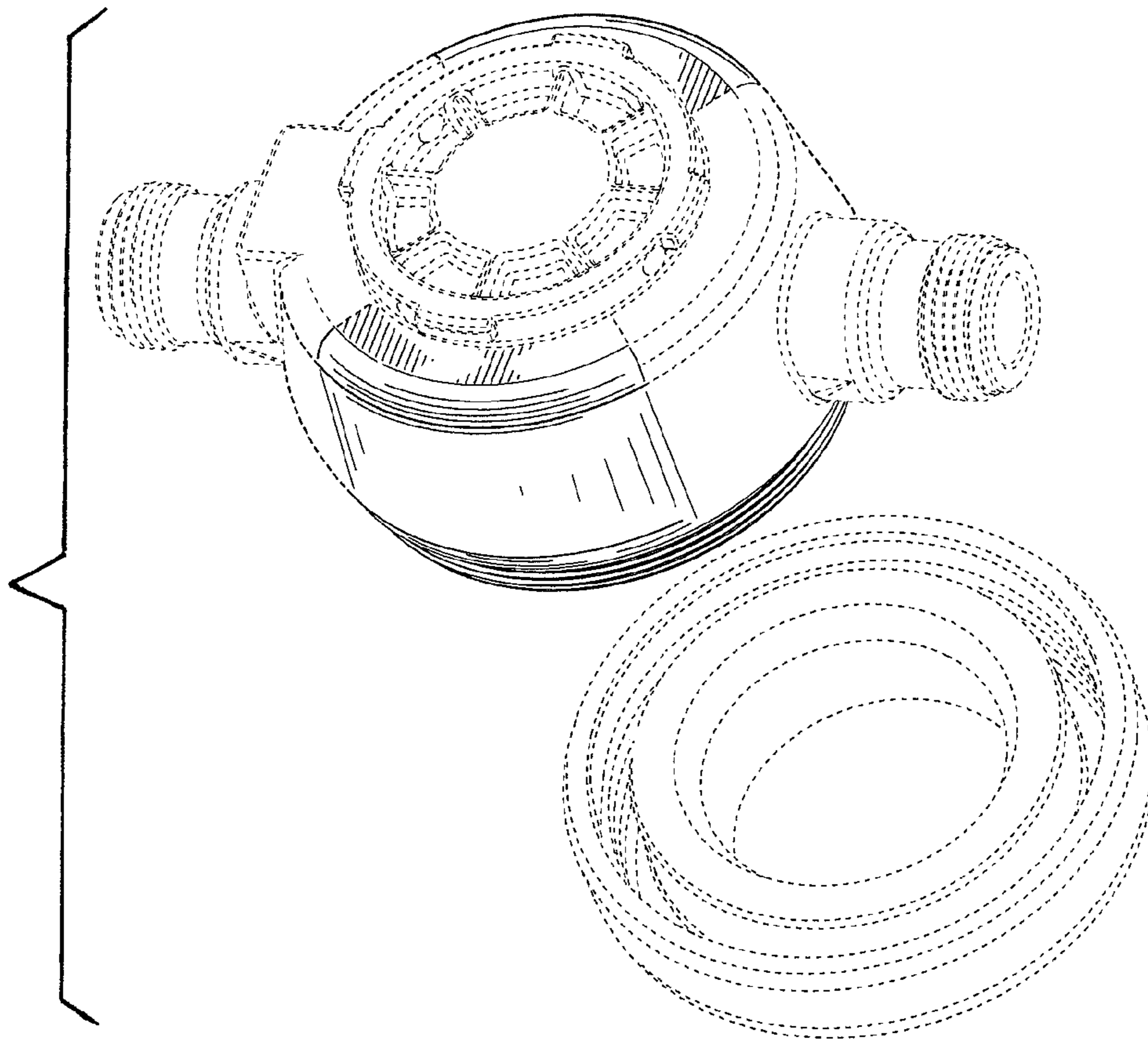


FIG. 8

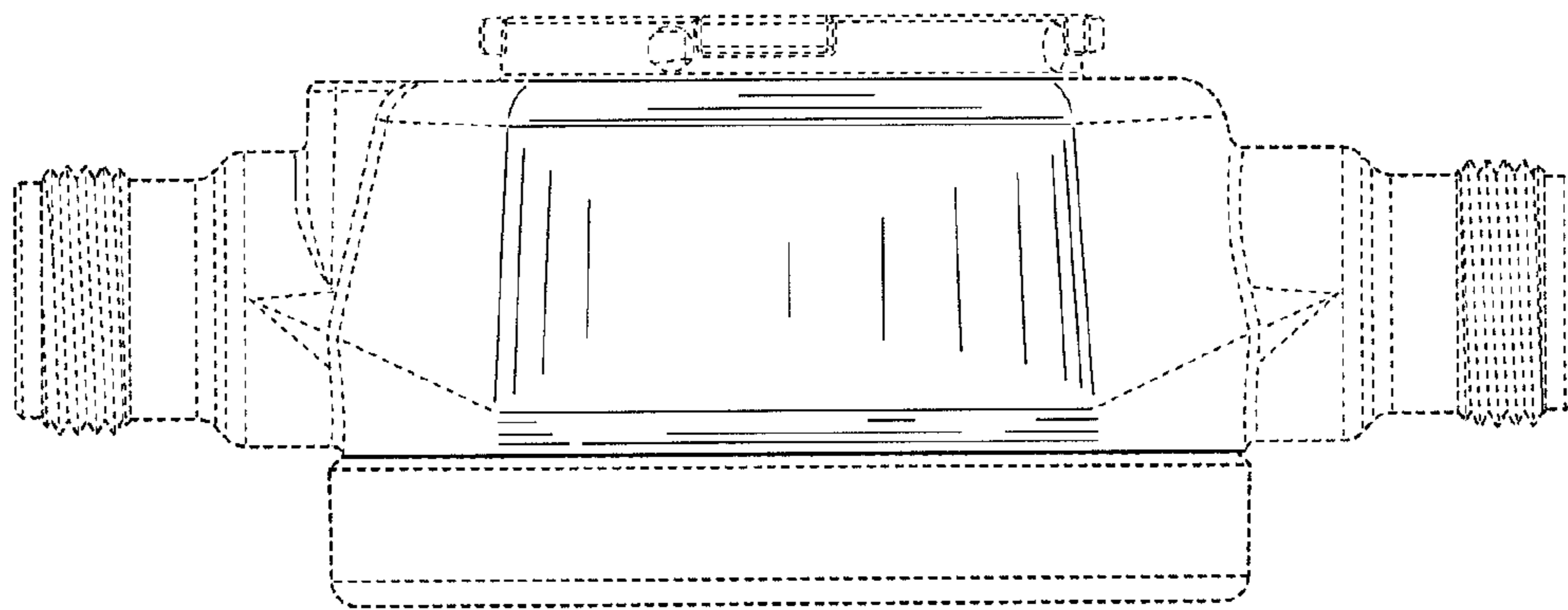


FIG. 9

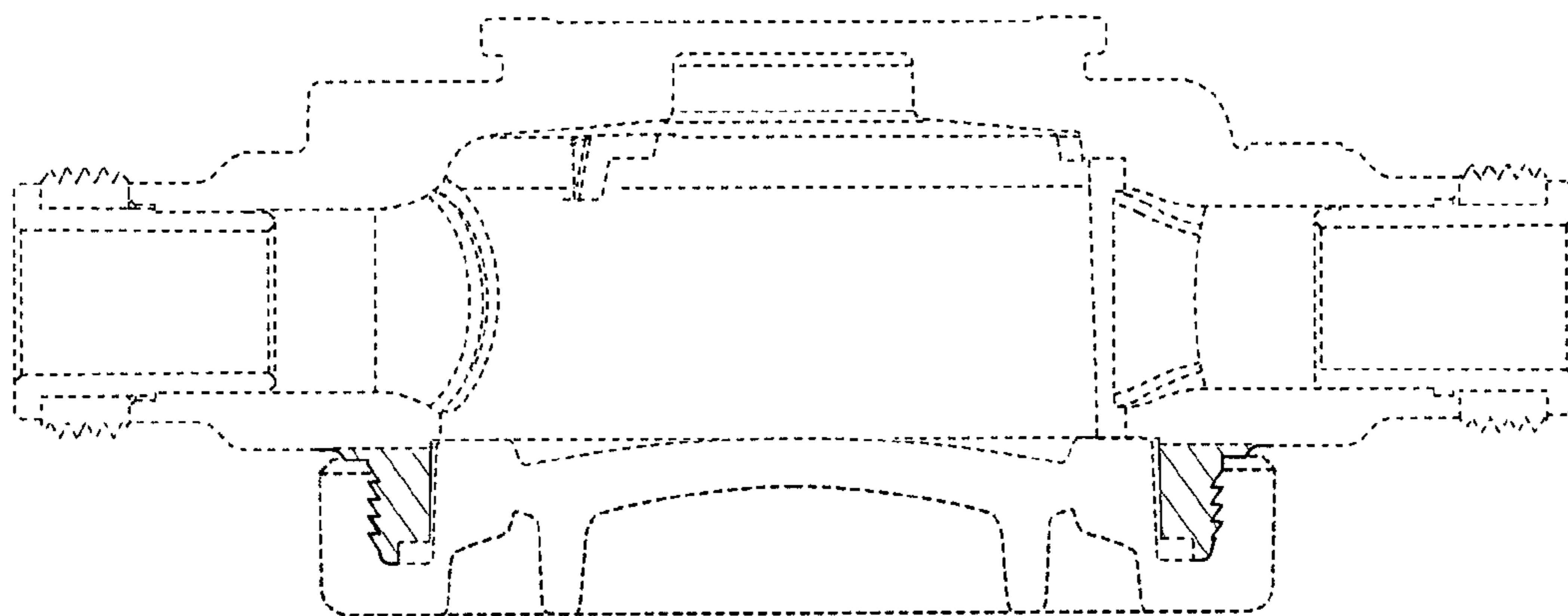


FIG. 10