



US00D582813S

(12) **United States Design Patent**
Otsuka et al.

(10) **Patent No.:** **US D582,813 S**
(45) **Date of Patent:** **** Dec. 16, 2008**

(54) **OPERATION DISPLAY PORTION FOR BODY COMPOSITION METER**

(75) Inventors: **Takeshi Otsuka**, Kawagoe (JP); **Hiroshi Kajimoto**, Tokyo (JP)

(73) Assignee: **Tanita Corporation**, Tokyo (JP)

(**) Term: **14 Years**

(21) Appl. No.: **29/293,673**

(22) Filed: **Dec. 6, 2007**

(30) **Foreign Application Priority Data**

Jun. 8, 2007 (JP) 2007-15376

(51) **LOC (8) Cl.** **10-04**

(52) **U.S. Cl.** **D10/94**

(58) **Field of Classification Search** D10/93-94;
177/236-245, 25.13-25.18; 116/DIG. 32;
600/506, 547

See application file for complete search history.

(56) **References Cited**

U.S. PATENT DOCUMENTS

6,400,983 B1 * 6/2002 Cha 600/547
6,694,182 B1 * 2/2004 Yamazaki et al. 600/547
7,130,680 B2 * 10/2006 Kodama et al. 600/547
7,317,320 B2 * 1/2008 Park et al. 324/696

OTHER PUBLICATIONS

Related U.S. Appl. No. 29/293,671, filed Dec. 6, 2007; Inventor: H. Akahori et al.

Related U.S. Appl. No. 29/293,672, filed Dec. 6, 2007; Inventor: H. Akahori et al.

Related U.S. Appl. No. 29/293,674, filed Dec. 6, 2007; Inventor: T. Otsuka et al.

Related U.S. Appl. No. 29/293,675, filed Dec. 6, 2007; Inventor: T. Otsuka et al.

Related U.S. Appl. No. 29/293,677, filed Dec. 6, 2007; Inventor: T. Otsuka et al.

Related U.S. Appl. No. 29/293,678, filed Dec. 6, 2007; Inventor: T. Otsuka et al.

* cited by examiner

Primary Examiner—Antoine D Davis

(74) *Attorney, Agent, or Firm*—Frishauf, Holtz, Goodman & Chick, P.C.

(57) **CLAIM**

The ornamental design for an operation display portion for body composition meter, as shown and described.

DESCRIPTION

FIG. 1 is a front, right side, bottom perspective view of an operation display portion for body composition meter showing our new design;

FIG. 2 is a front elevational view thereof;

FIG. 3 is a rear elevational view thereof;

FIG. 4 is a left side view thereof;

FIG. 5 is a right side view thereof;

FIG. 6 is a top plan view thereof;

FIG. 7 is a bottom plan view thereof;

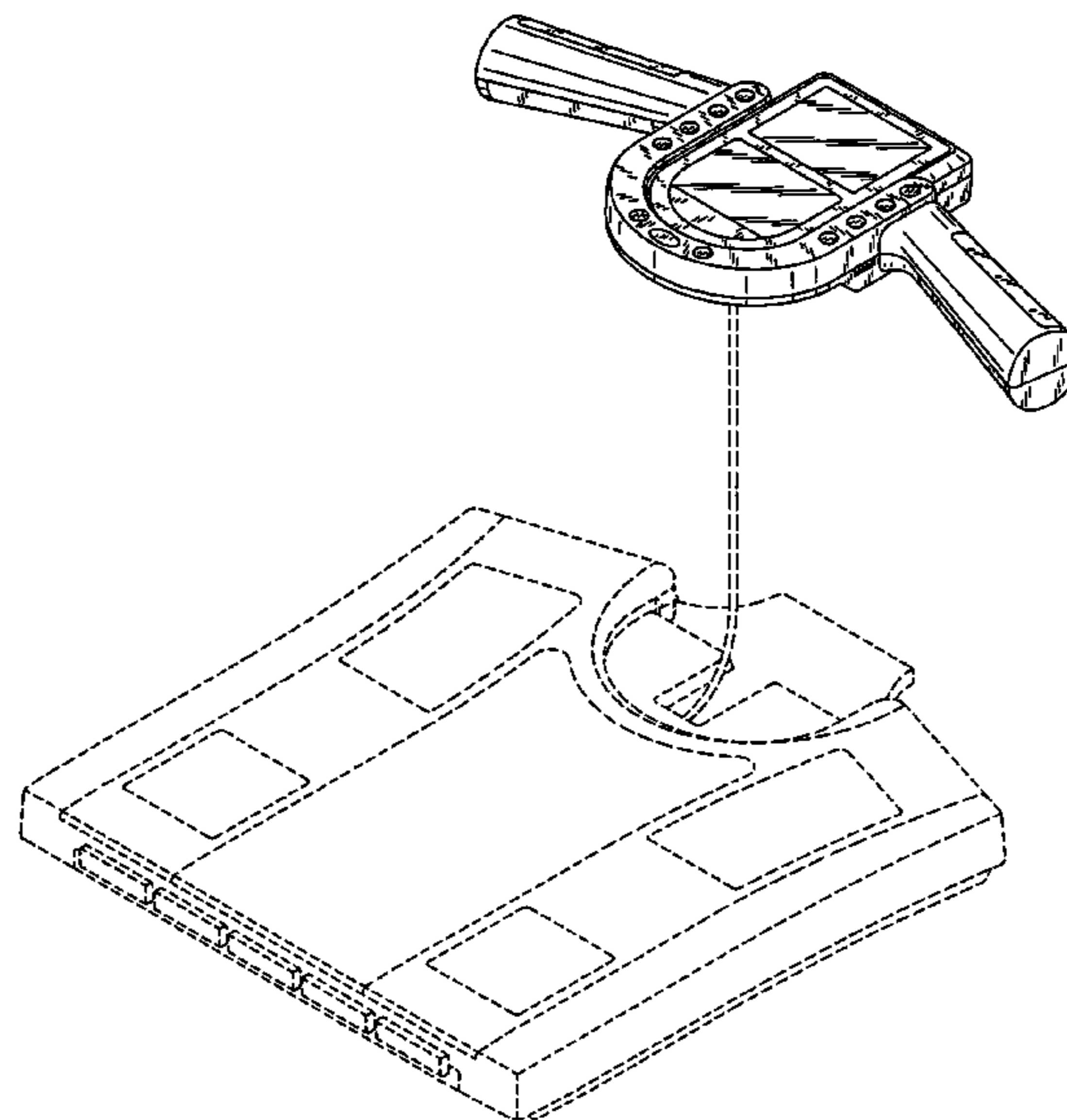
FIG. 8 is a reference perspective view thereof showing a state in which this article is mounted in a body portion of a body composition meter;

FIG. 9 is a reference perspective view thereof showing a state in which this article is detached from the body portion of the body composition meter, and,

FIG. 10 is a reference front elevational view thereof showing a state in which this article is electrified.

The portions in broken lines are shown for illustrative purposes only and form no part of the claimed design.

1 Claim, 6 Drawing Sheets



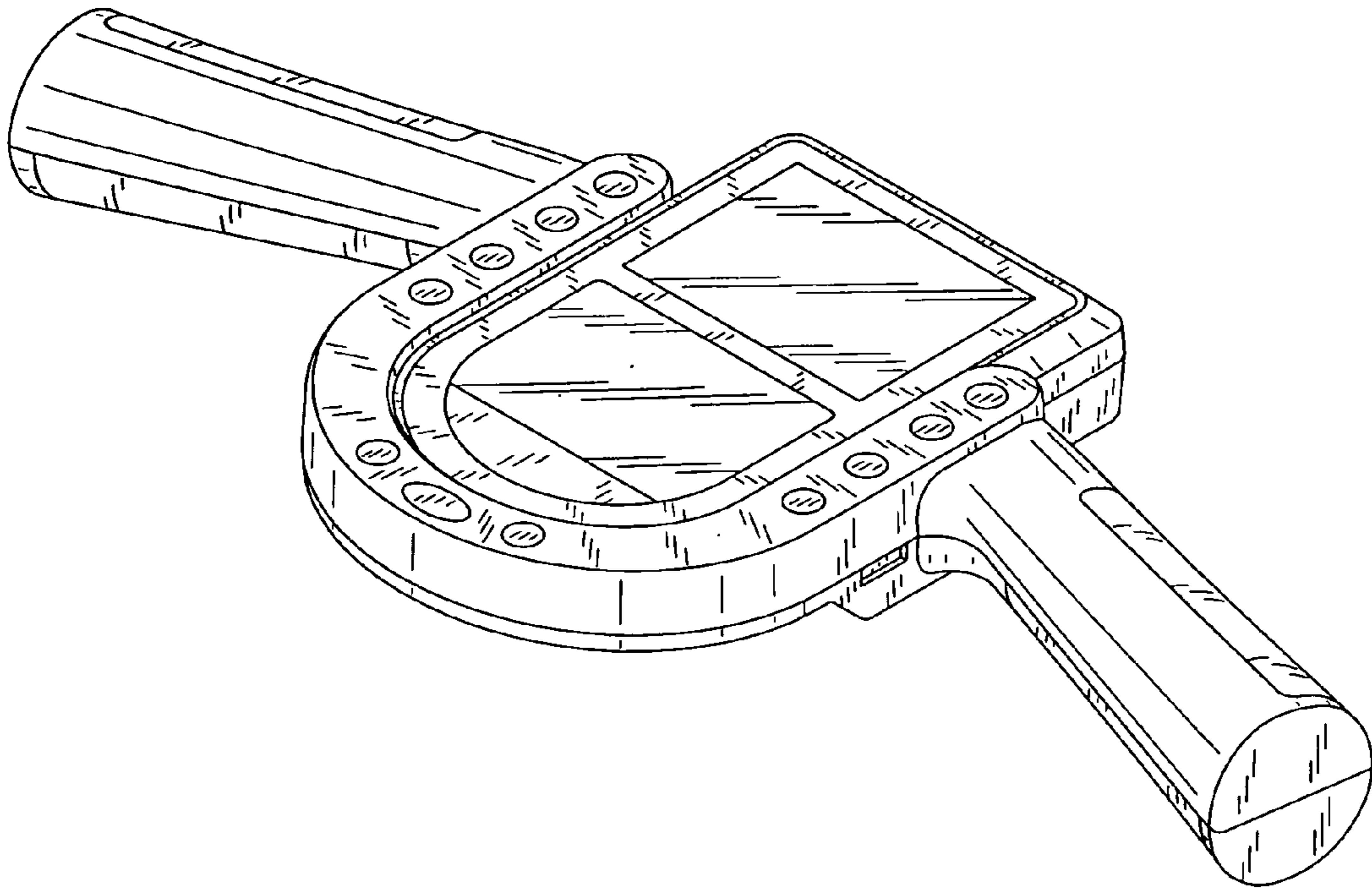


FIG. 1

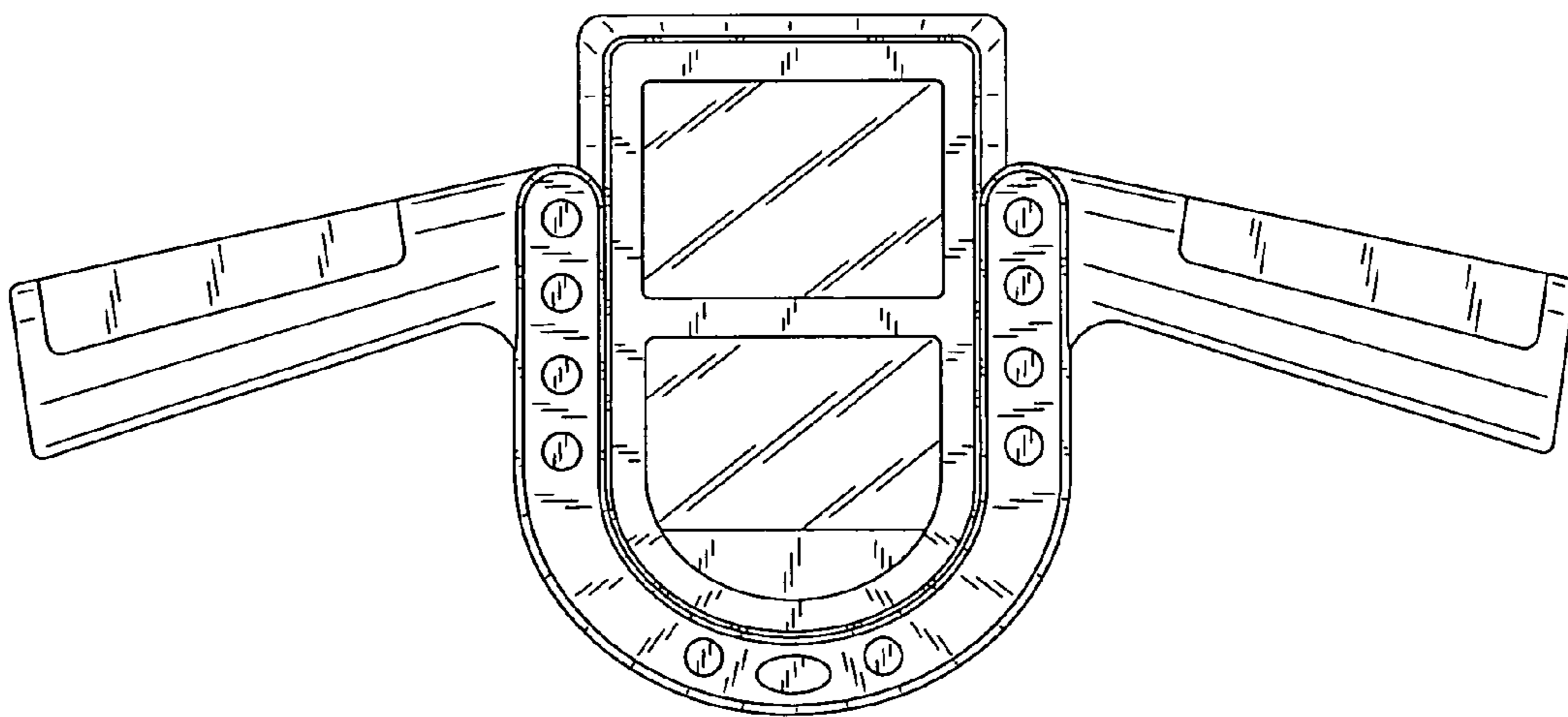


FIG. 2

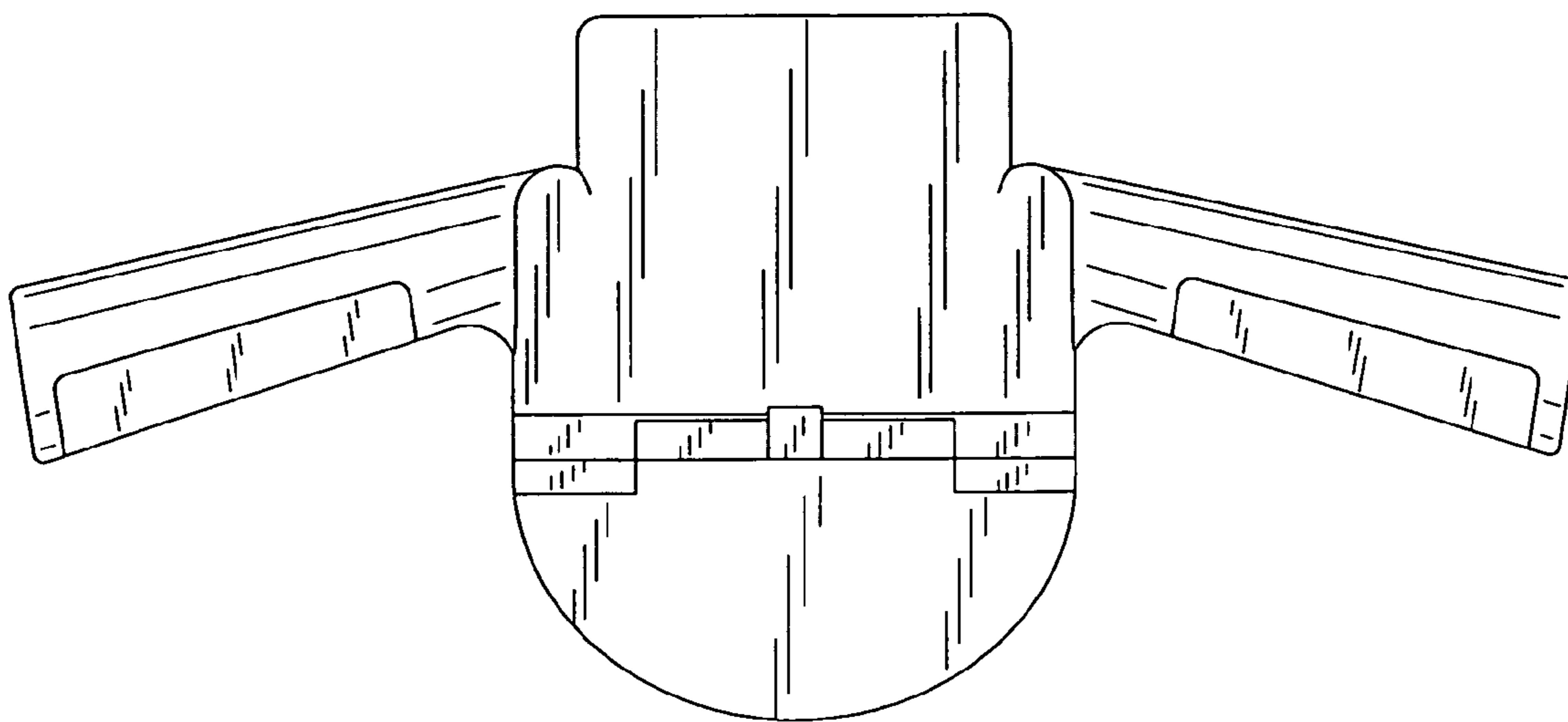


FIG. 3

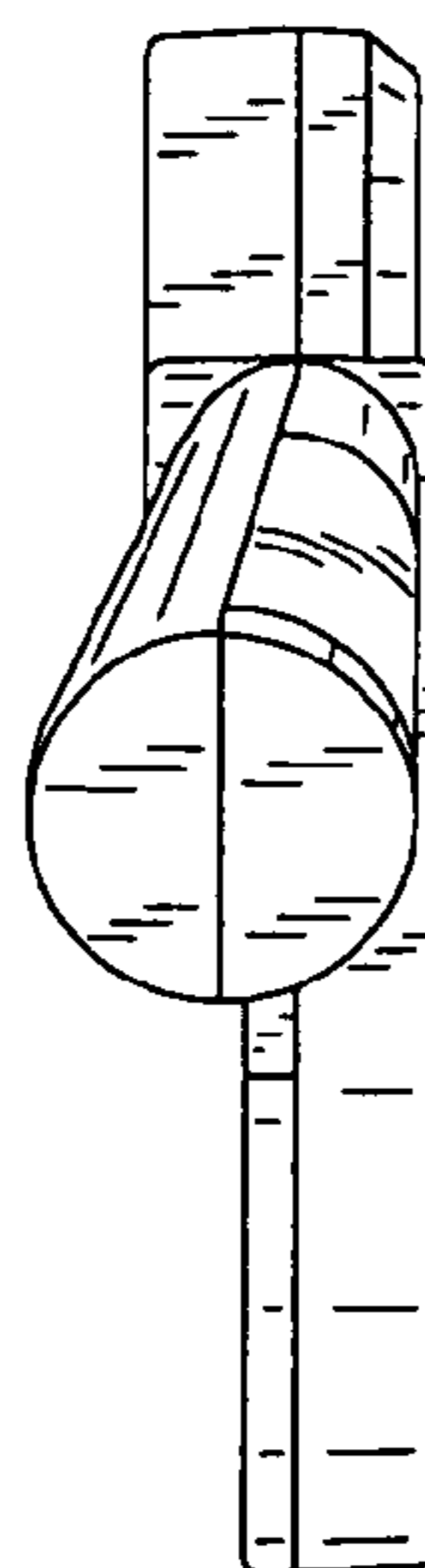


FIG. 4

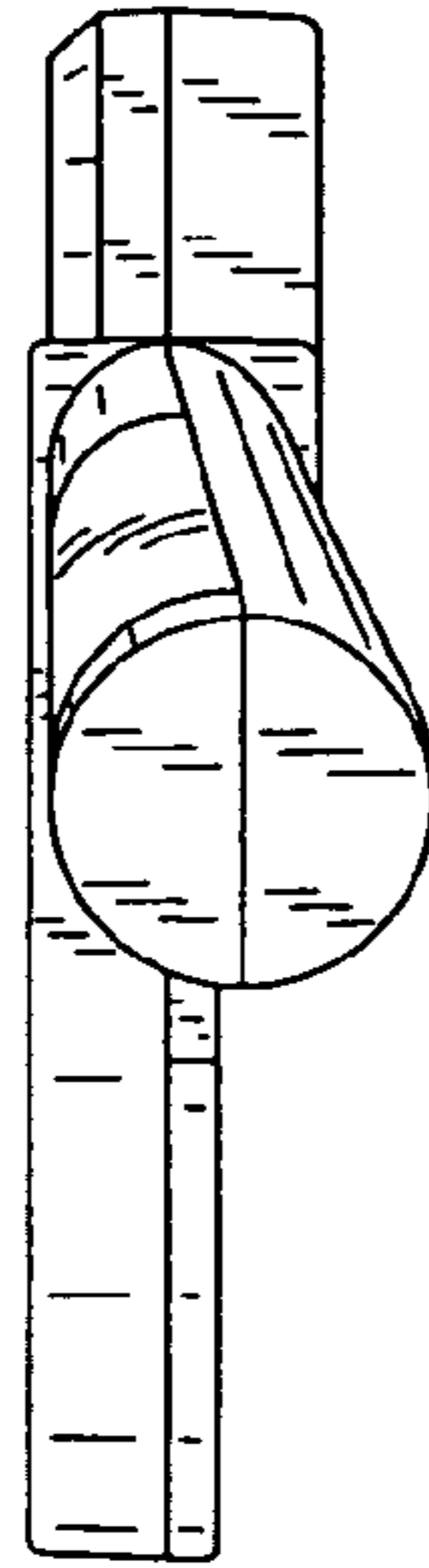


FIG. 5

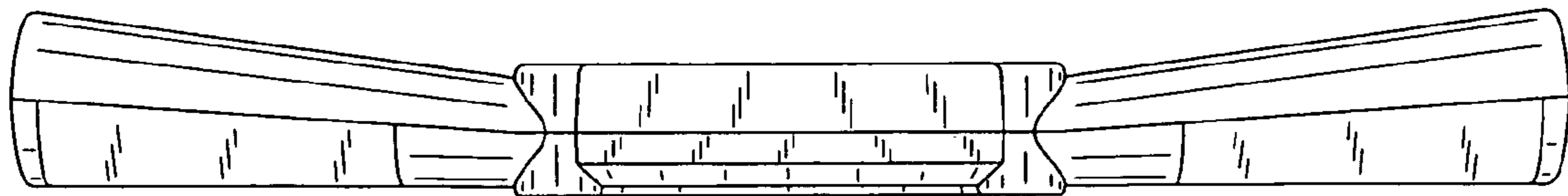


FIG. 6

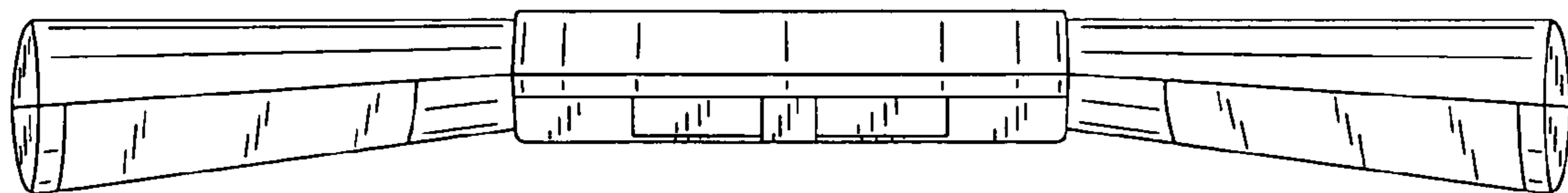


FIG. 7

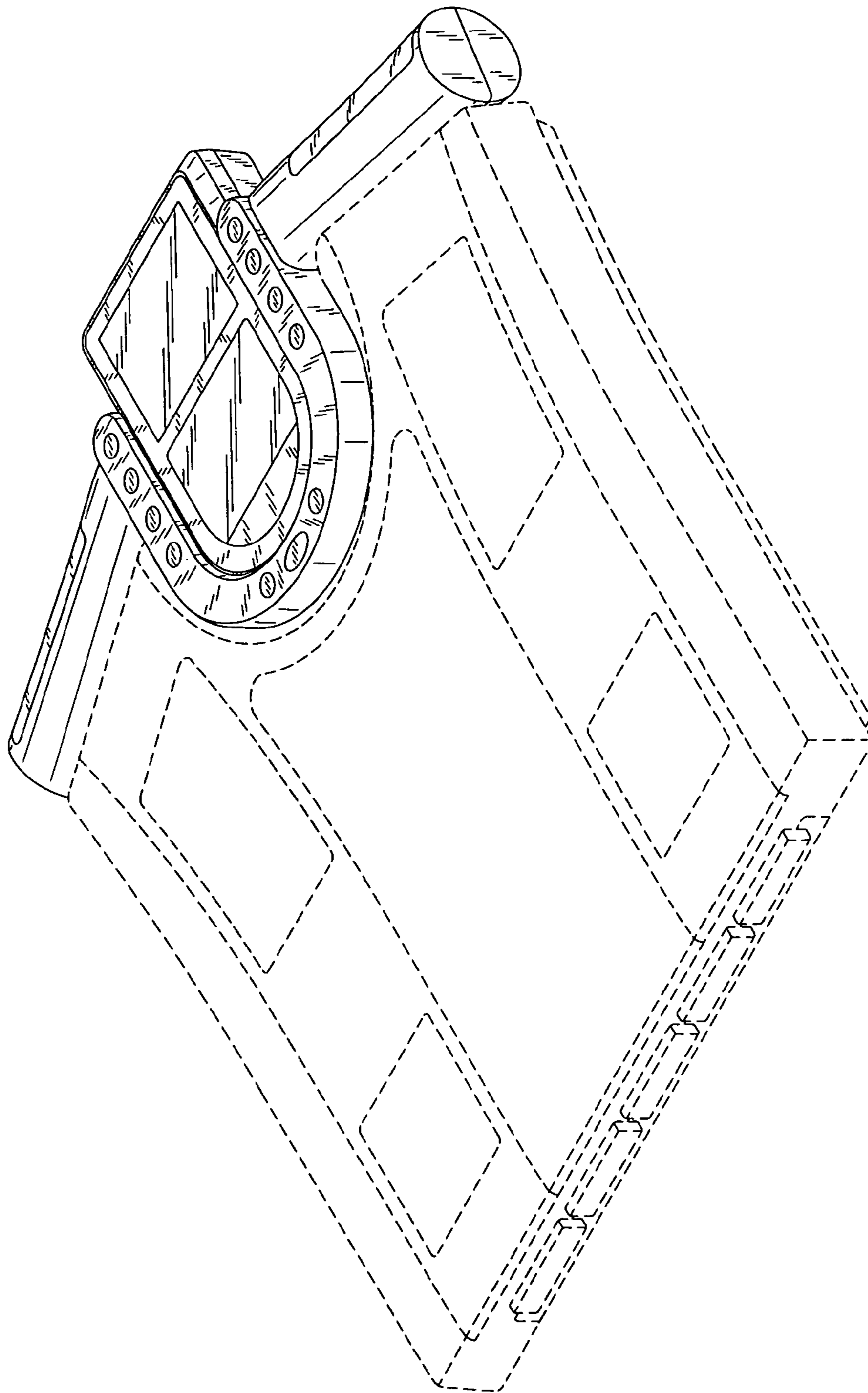


FIG. 8

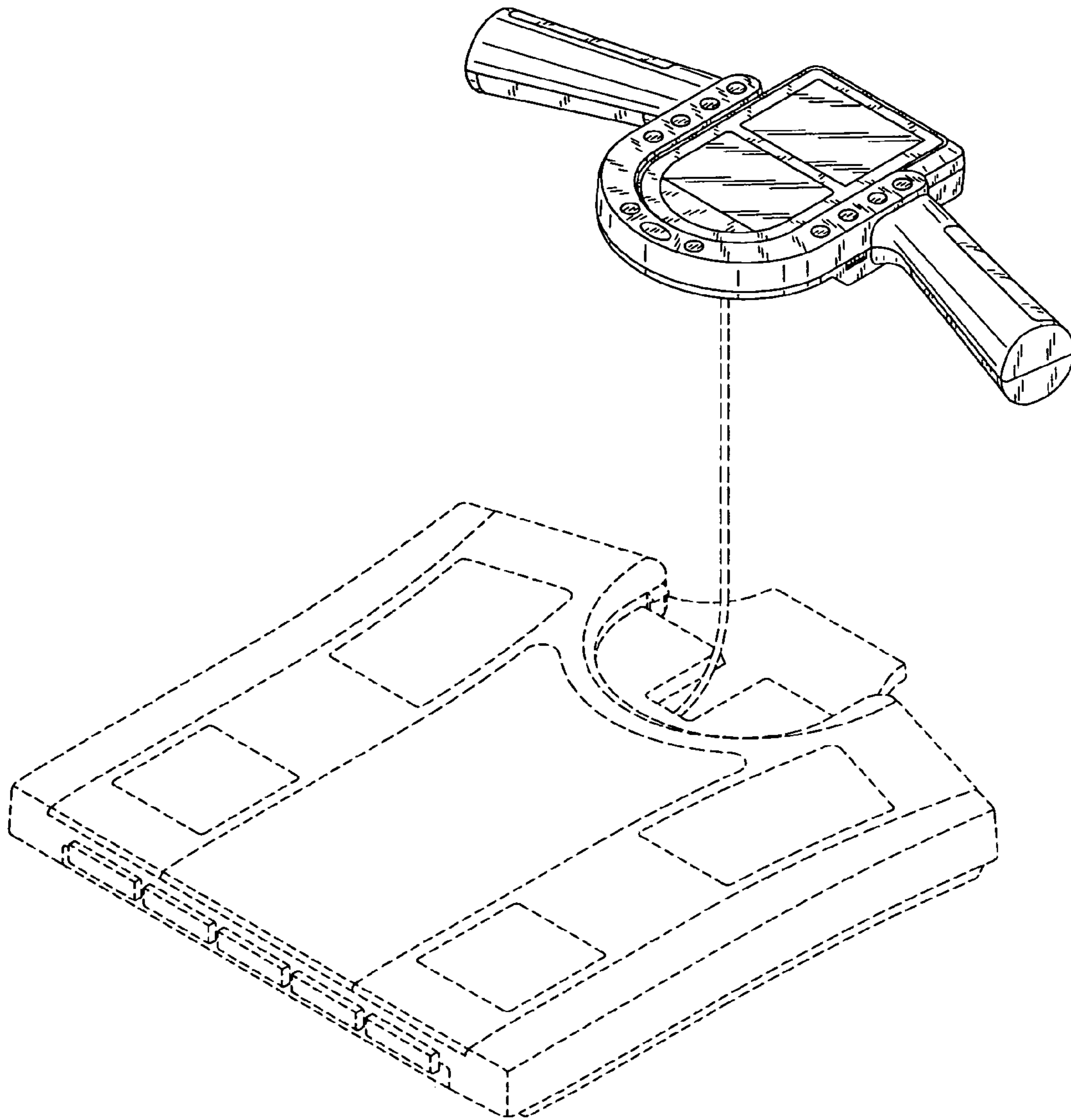


FIG. 9

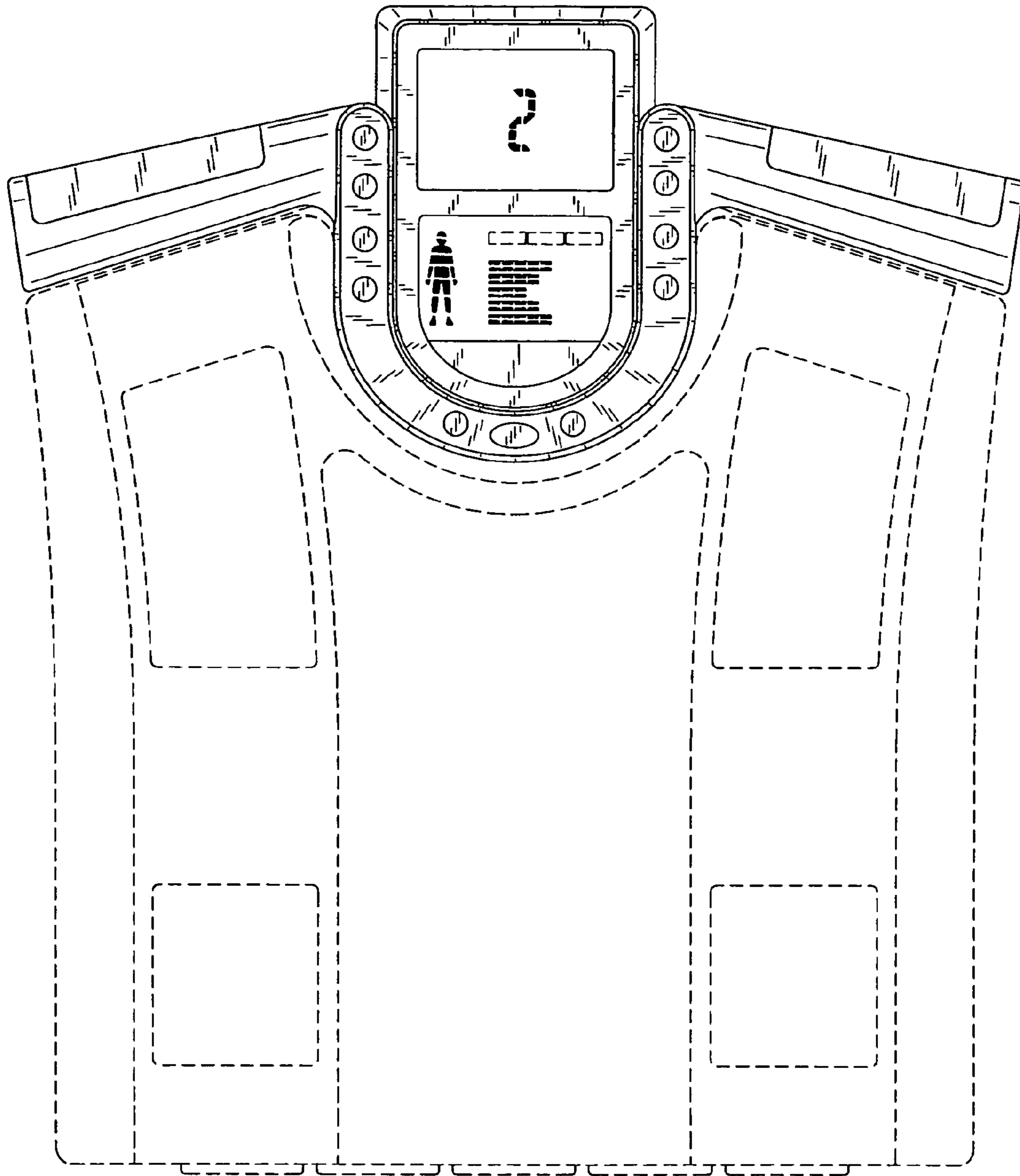


FIG. 10