



US00D582810S

(12) **United States Design Patent**  
**Cook**

(10) **Patent No.:** **US D582,810 S**

(45) **Date of Patent:** **\*\* Dec. 16, 2008**

(54) **TAPE MEASURE**

(75) Inventor: **Vincent Cook**, Milford, CT (US)

(73) Assignee: **The Stanley Works**, New Britain, CT (US)

(\*\*) Term: **14 Years**

(21) Appl. No.: **29/317,486**

(22) Filed: **Apr. 30, 2008**

(51) **LOC (8) Cl.** ..... **10-04**

(52) **U.S. Cl.** ..... **D10/72**

(58) **Field of Classification Search** ..... D10/72;  
33/755-771; 242/292, 381.1, 381.2, 381.3,  
242/381.4, 381.5, 381.6

See application file for complete search history.

(56) **References Cited**

**U.S. PATENT DOCUMENTS**

D253,876 S	1/1980	Covey	
D279,553 S	7/1985	Drechsler	
D375,269 S	11/1996	Wertheim et al.	
D412,858 S	8/1999	Staton	
D442,096 S	5/2001	Martone	
D471,827 S	3/2003	Ranieri et al.	
D522,891 S *	6/2006	Huang	D10/72
D522,990 S *	6/2006	Sun et al.	D14/138

D528,026 S *	9/2006	Liao	D10/72
D554,011 S *	10/2007	Levick	D10/72
D560,522 S *	1/2008	Farnworth et al.	D10/72

\* cited by examiner

*Primary Examiner*—Antoine D Davis

(74) *Attorney, Agent, or Firm*—Pillsbury Winthrop Shaw Pittman LLP

(57) **CLAIM**

The ornamental design for a tape measure, as shown and described.

**DESCRIPTION**

FIG. 1 is a perspective illustration of an embodiment of the tape measure according to my design;

FIG. 2 is a front plan view thereof;

FIG. 3 is a rear plan view thereof;

FIG. 4 is a left side view thereof;

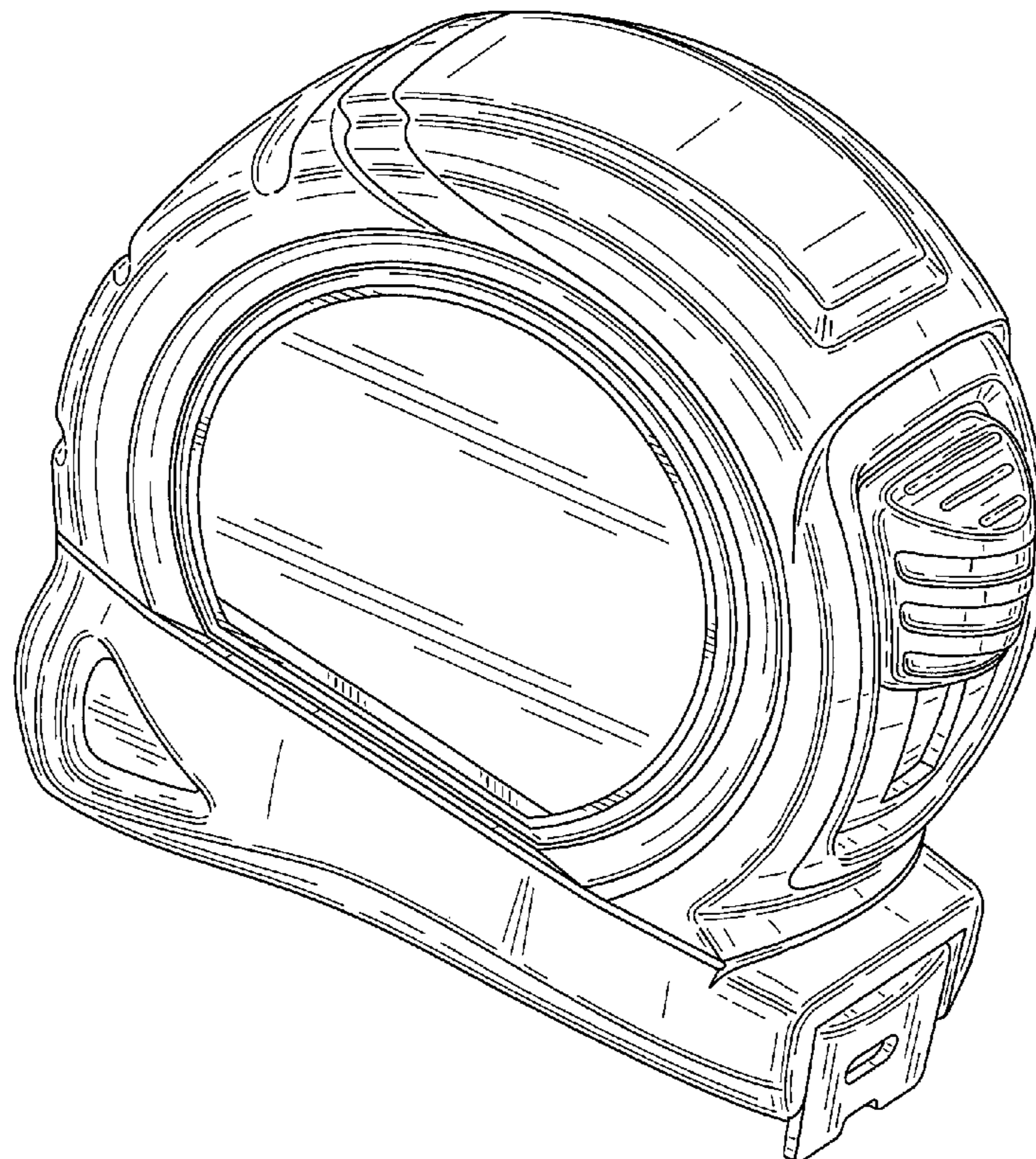
FIG. 5 is a right side view thereof;

FIG. 6 is a top plan view thereof; and,

FIG. 7 is a bottom plan view thereof.

Where included, broken lines showing environment or structure are for illustrative purposes only and form no part of the claimed design.

**1 Claim, 5 Drawing Sheets**



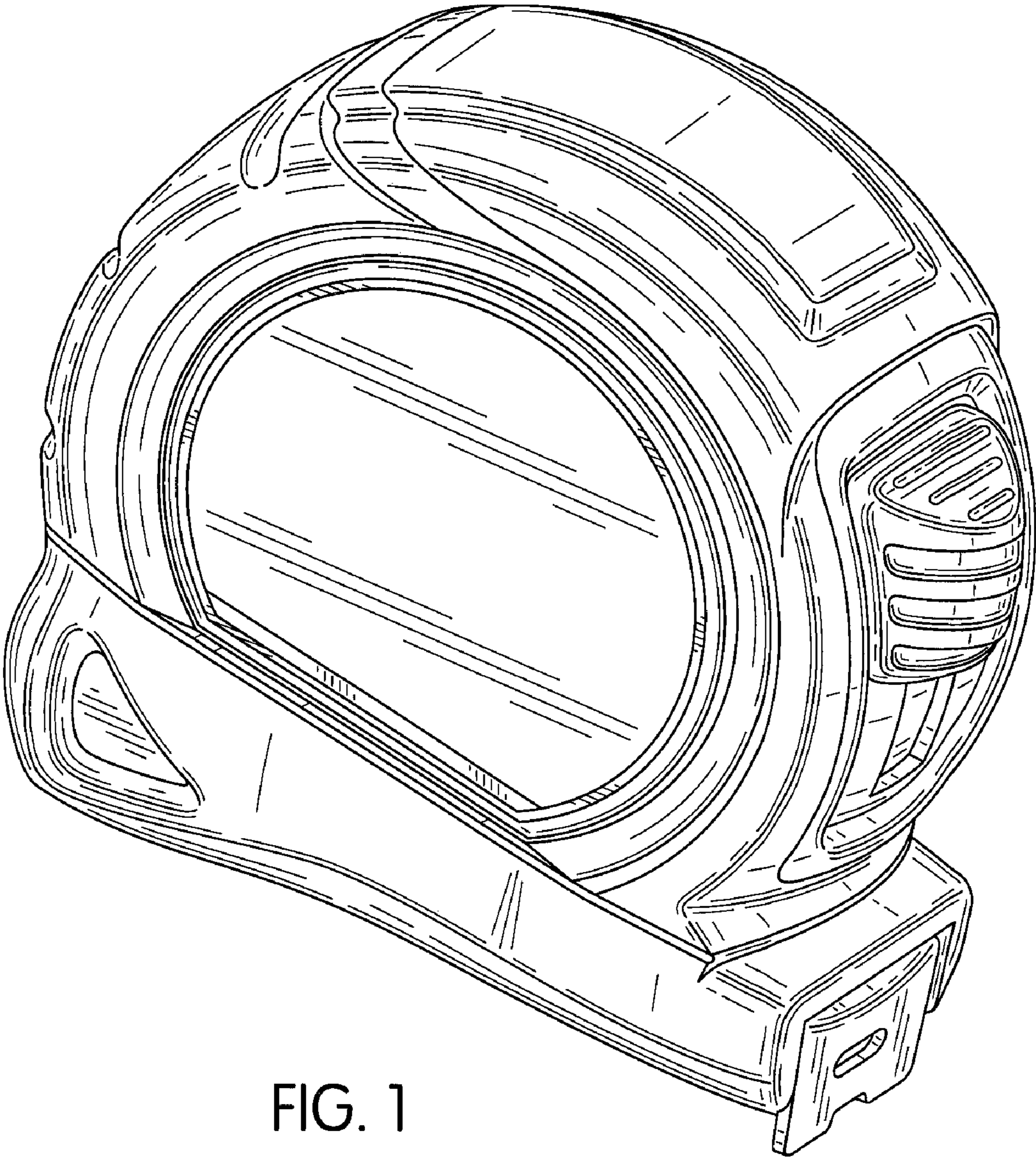


FIG. 1

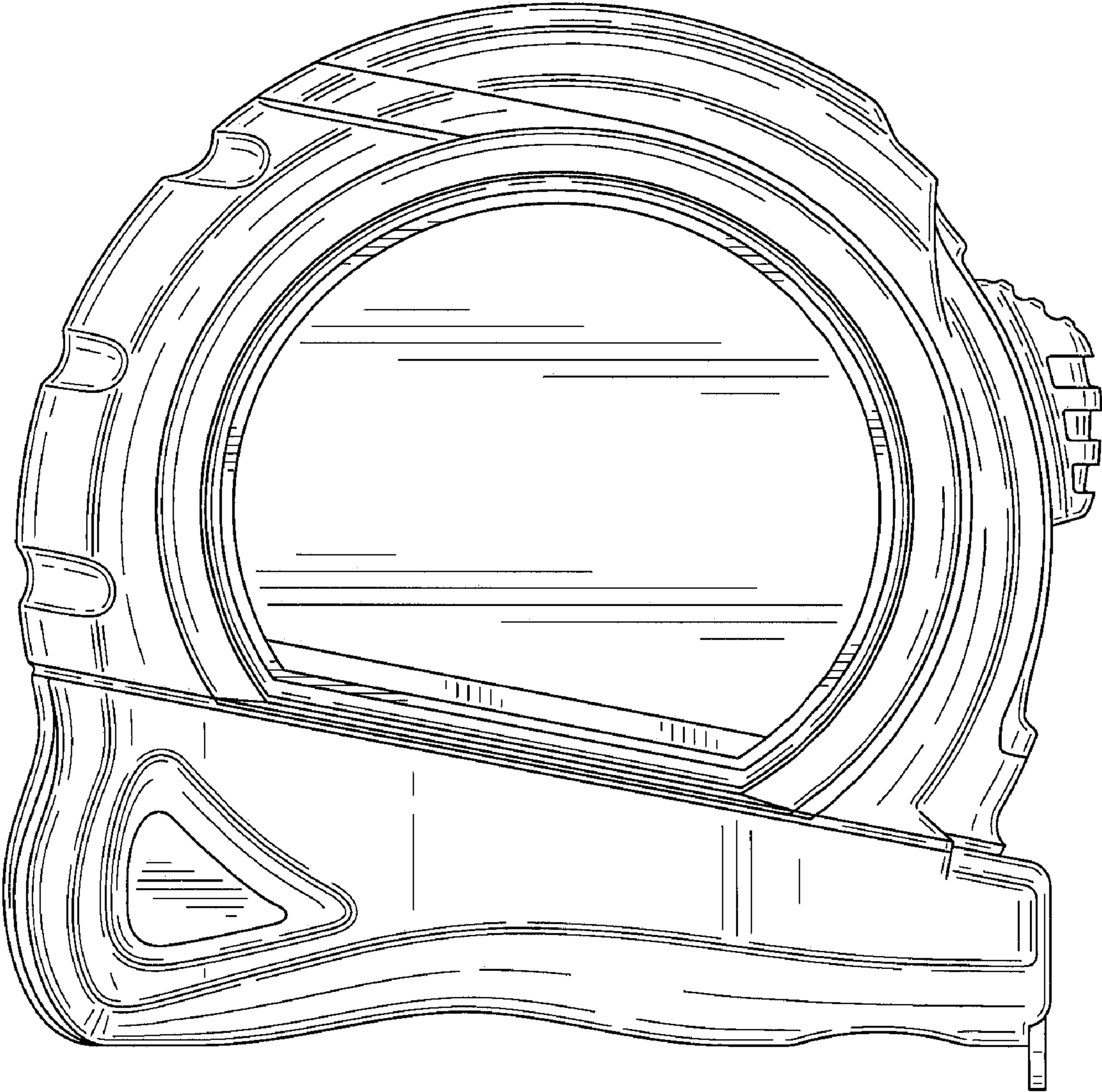


FIG. 2

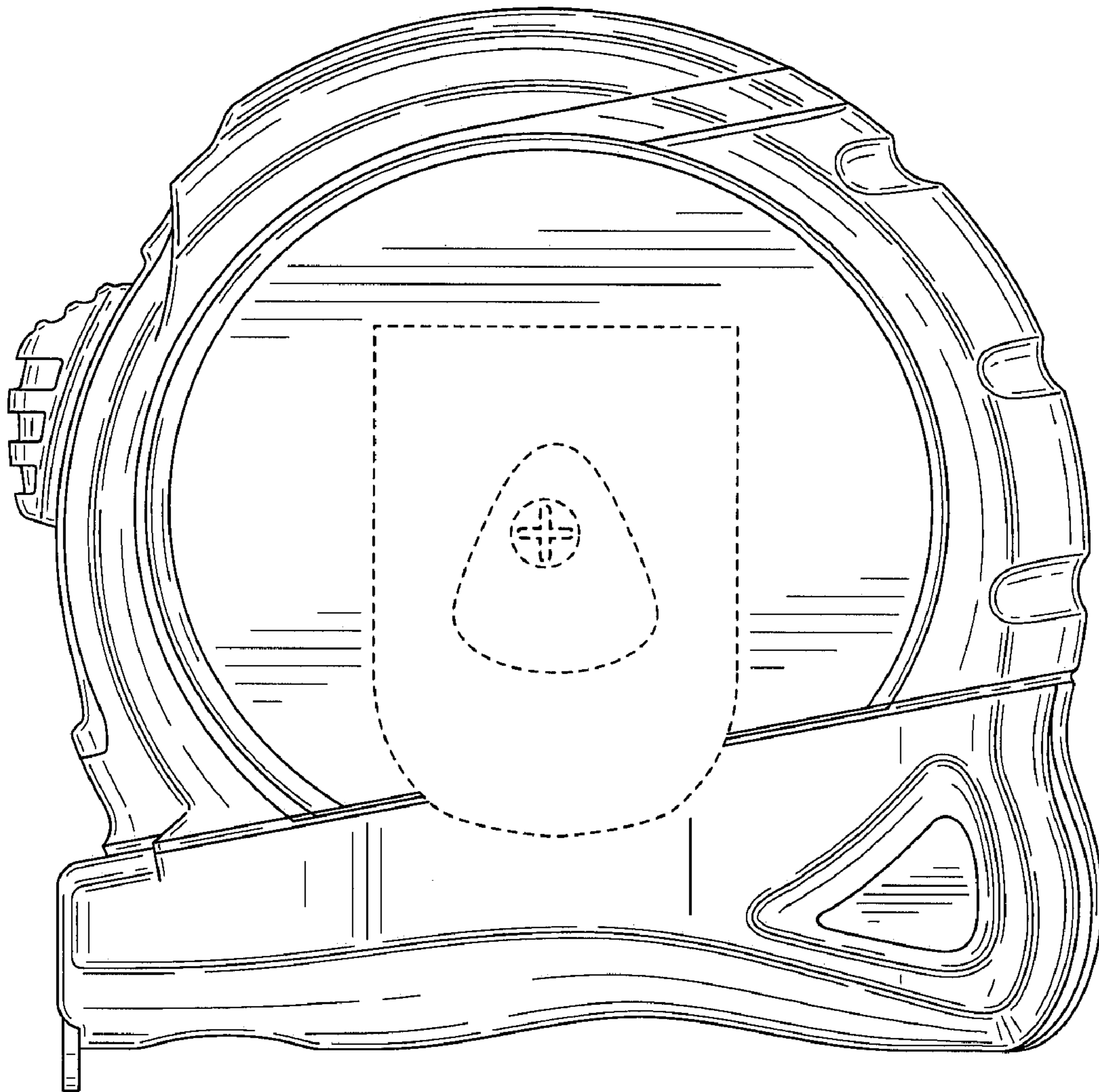


FIG. 3

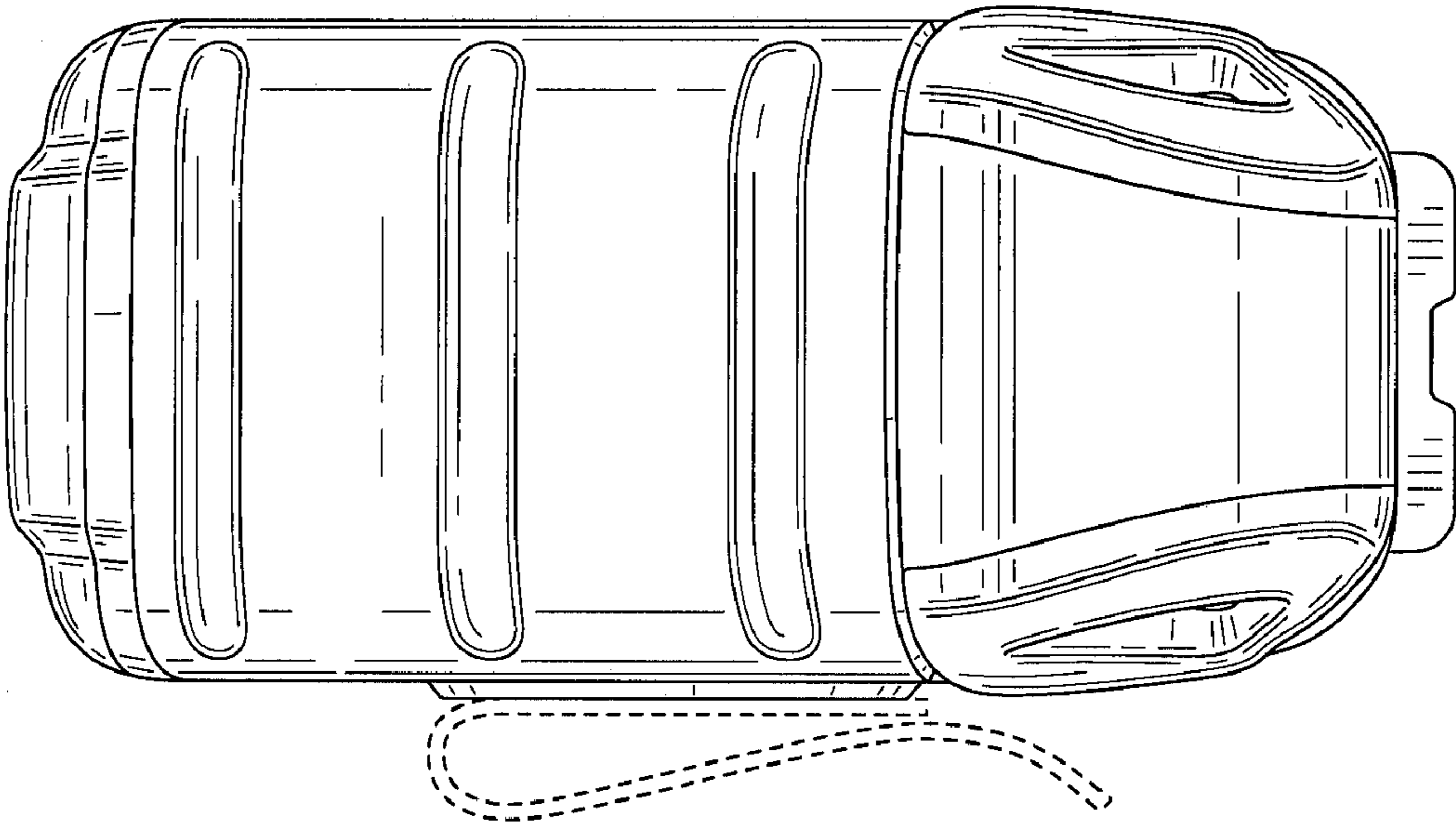


FIG. 5

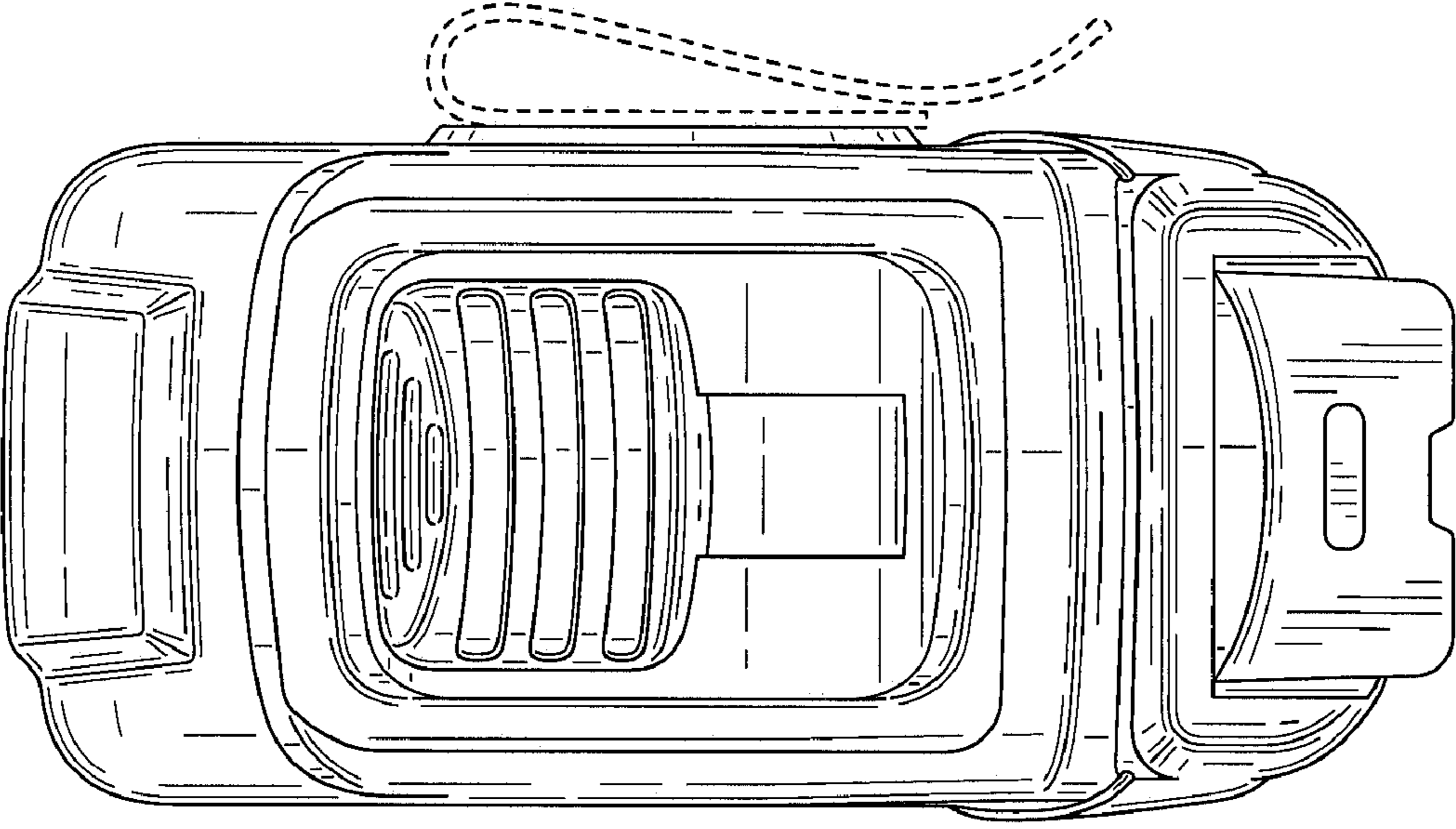


FIG. 4

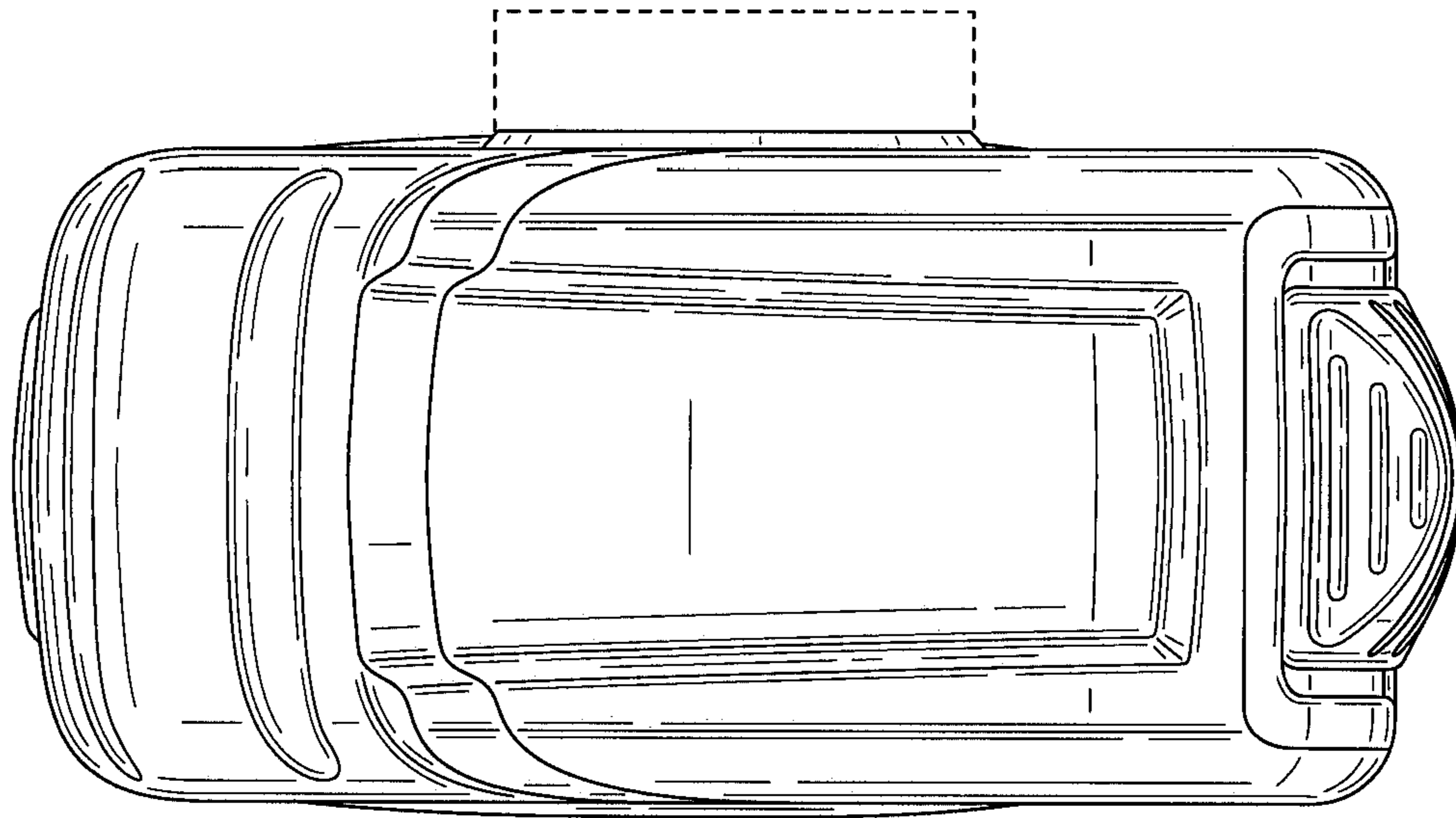


FIG. 6

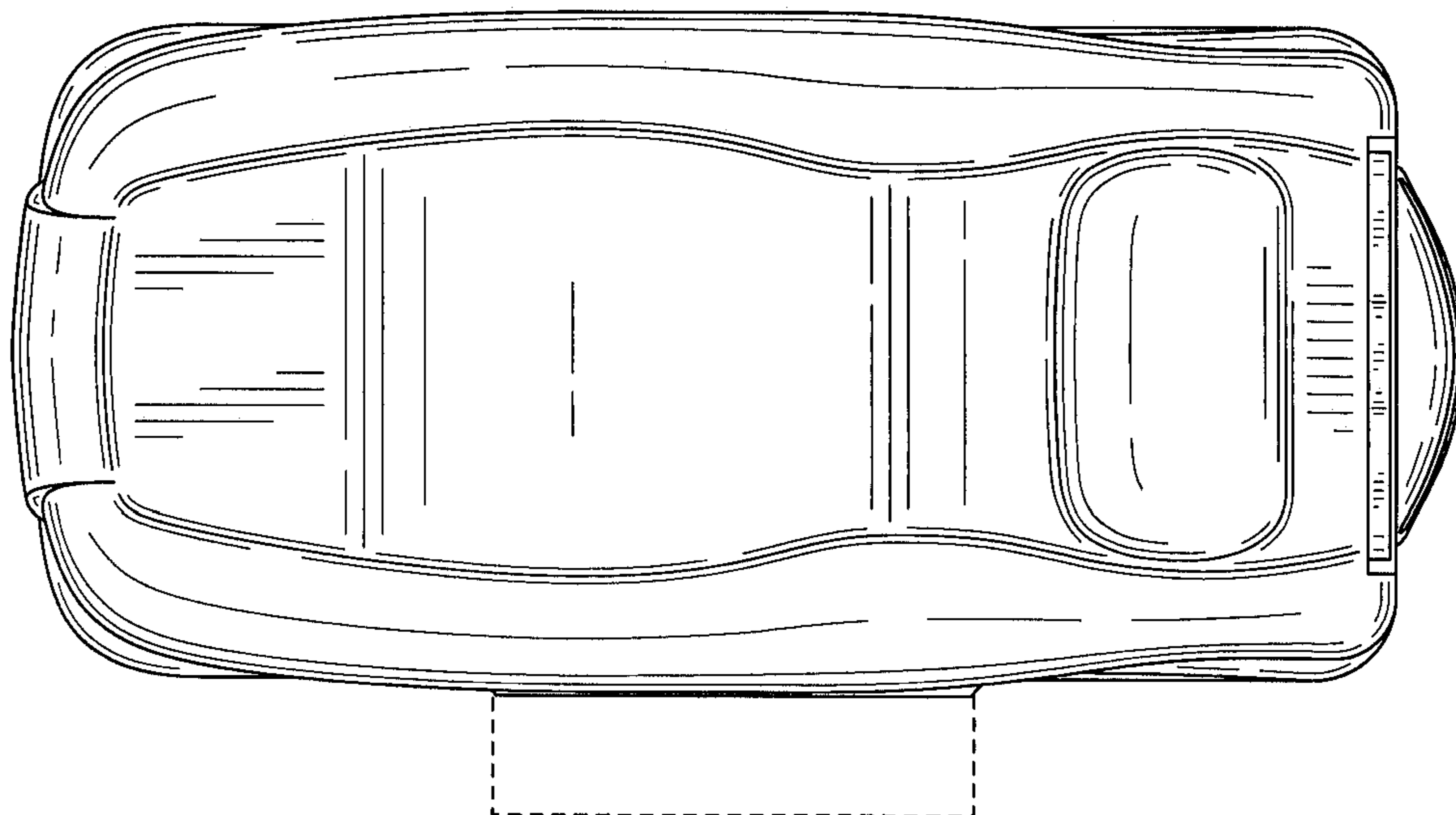


FIG. 7

UNITED STATES PATENT AND TRADEMARK OFFICE  
**CERTIFICATE OF CORRECTION**

PATENT NO. : Des. 582,810 S  
APPLICATION NO. : 29/317486  
DATED : December 16, 2008  
INVENTOR(S) : Vincent Cook

Page 1 of 1

It is certified that error appears in the above-identified patent and that said Letters Patent is hereby corrected as shown below:

On title page, item (73) Assignee  
replace "New Britian, CT"  
with --**New Britain, CT**--.

Signed and Sealed this

Twenty-fifth Day of August, 2009



David J. Kappos  
*Director of the United States Patent and Trademark Office*