



US00D582804S

(12) **United States Design Patent**
Flandin et al.

(10) **Patent No.:** **US D582,804 S**
(45) **Date of Patent:** **** Dec. 16, 2008**

(54) **ENCLOSURE FOR ELECTRONIC DEVICES**

Primary Examiner—Antoine D Davis

(76) Inventors: **Daniel E. Flandin**, 16732 - 20th Avenue,
Surrey, BC (CA) V3S 9M9; **Nicholas F.**
Flandin, 16732 20th Avenue, Surrey, BC
(CA) V3S 9M9

(57) **CLAIM**

The ornamental design for an enclosure for electronic devices, as shown.

(**) Term: **14 Years**

DESCRIPTION

(21) Appl. No.: **29/286,453**

This enclosure for electronic devices (Plastic enclosure case) as shown in the FIGS. 1 to 8 listed above can be and will used to manufacture electronic measuring devices and tools such as: non-contact thermometers, contact thermometers, tachometers to measure RPM, sound measuring devices, oxygen sensor testers, electrical and electronic circuit testers and wherever applicable in any industry.

(22) Filed: **May 7, 2007**

(51) **LOC (8) Cl.** **10-04**

(52) **U.S. Cl.** **D10/57**

(58) **Field of Classification Search** D10/57;
374/1-210; 600/549

See application file for complete search history.

FIG. 1 is a perspective view of an enclosure for electronic devices showing my new design:

(56) **References Cited**

U.S. PATENT DOCUMENTS

D410,204 S *	5/1999	Hendriks	D10/57
D460,923 S *	7/2002	Chen	D10/57
6,811,308 B2 *	11/2004	Chapman et al.	374/155
D504,335 S *	4/2005	Stevenson et al.	D10/57
D518,744 S *	4/2006	Rosen	D10/57
7,167,743 B2 *	1/2007	Heruth et al.	600/509

FIG. 2 is a front view thereof;

FIG. 3 is a back view thereof;

FIG. 4 is a top view thereof;

FIG. 5 is a bottom view thereof;

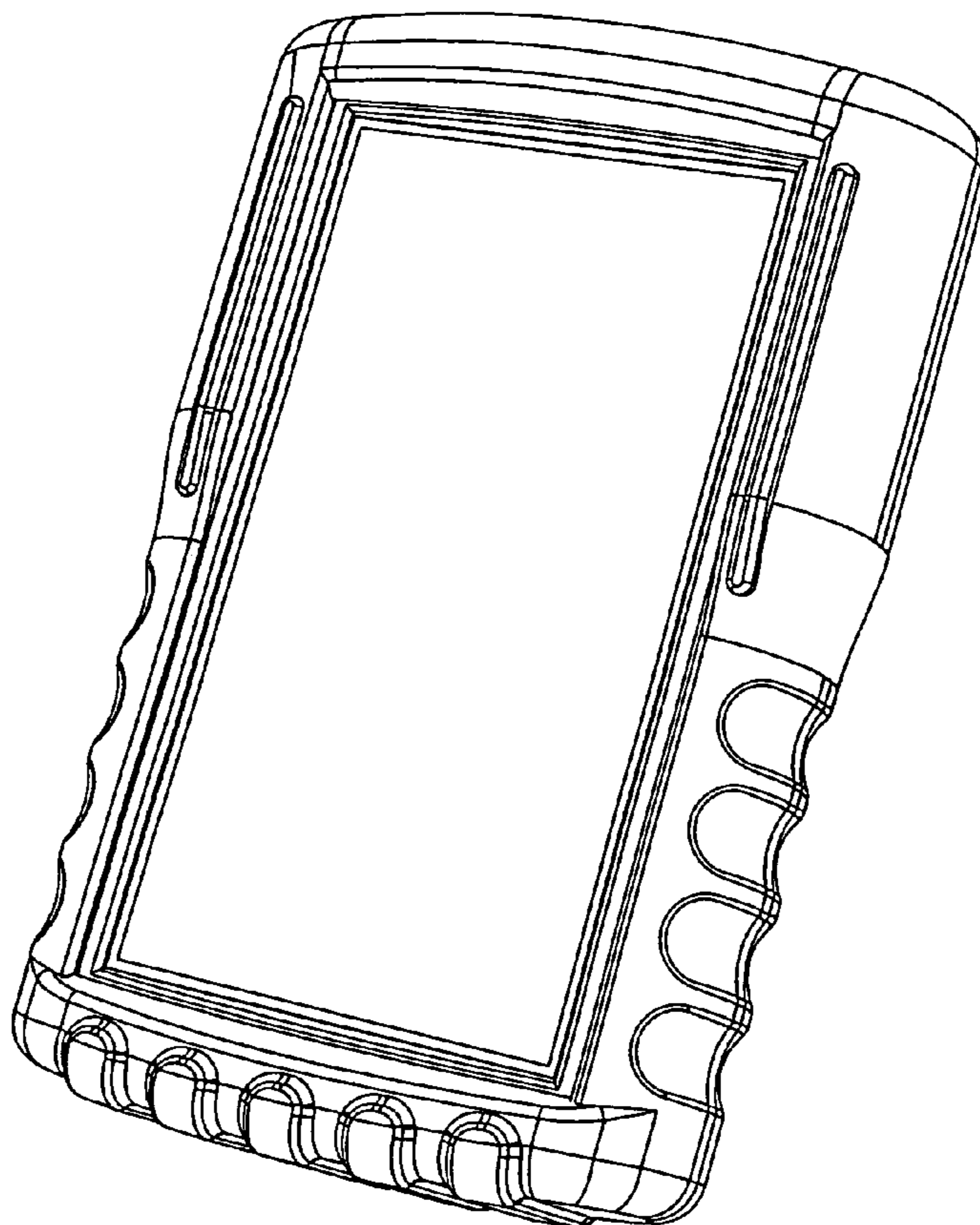
FIG. 6 is a back perspective view thereof

FIG. 7 is a right side view thereof; and,

FIG. 8 is a left side view thereof.

* cited by examiner

1 Claim, 8 Drawing Sheets



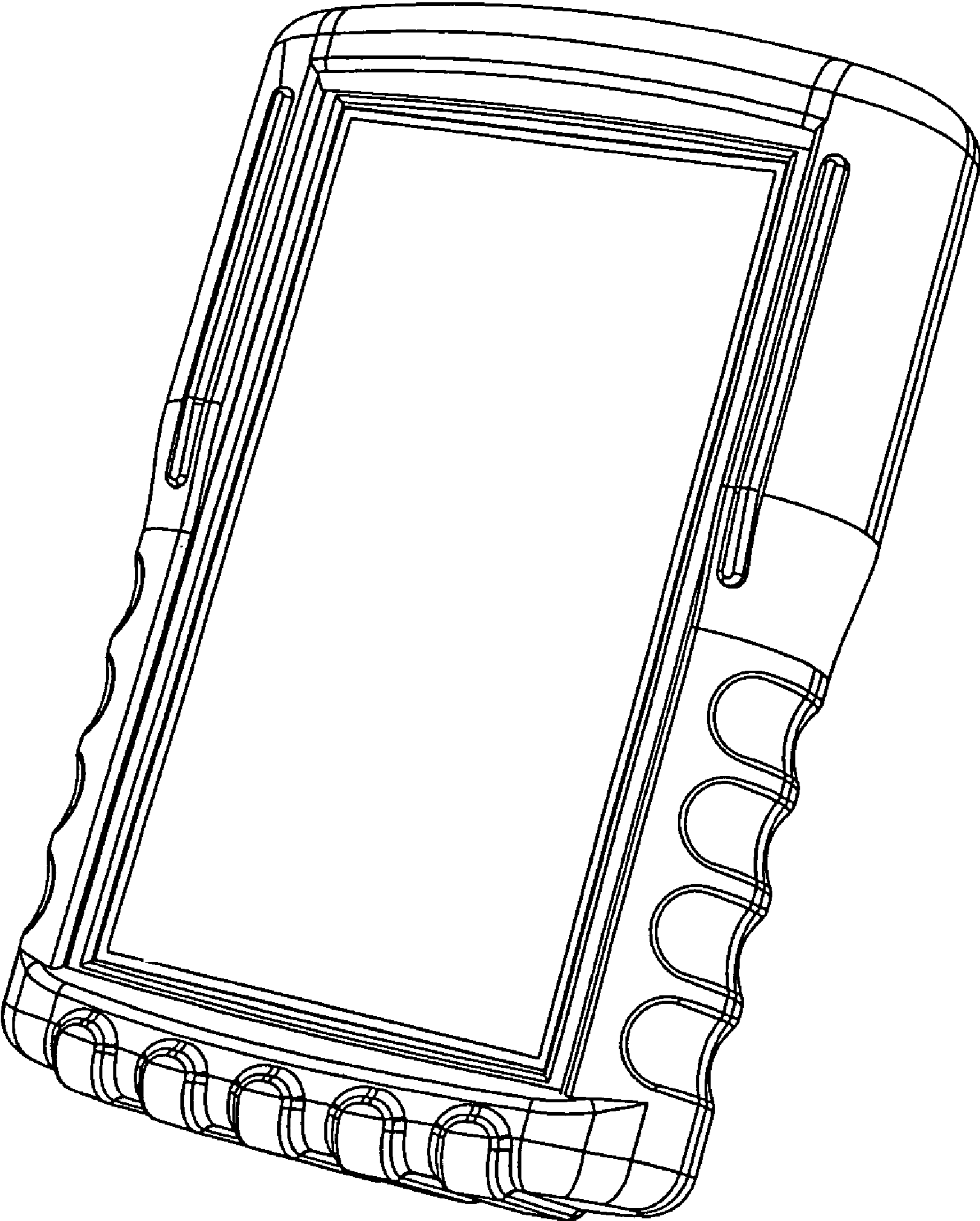


Figure 1

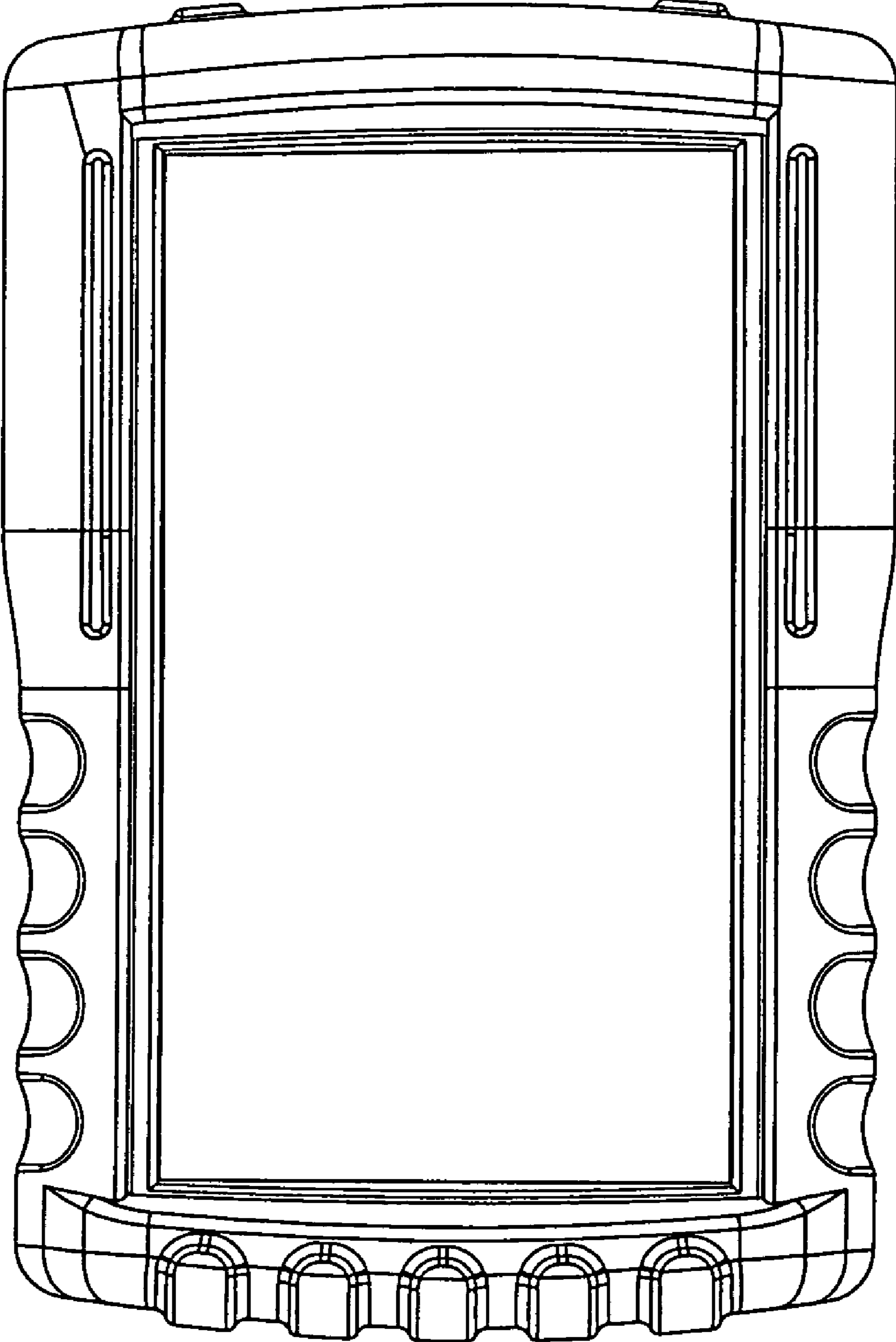


Figure 2

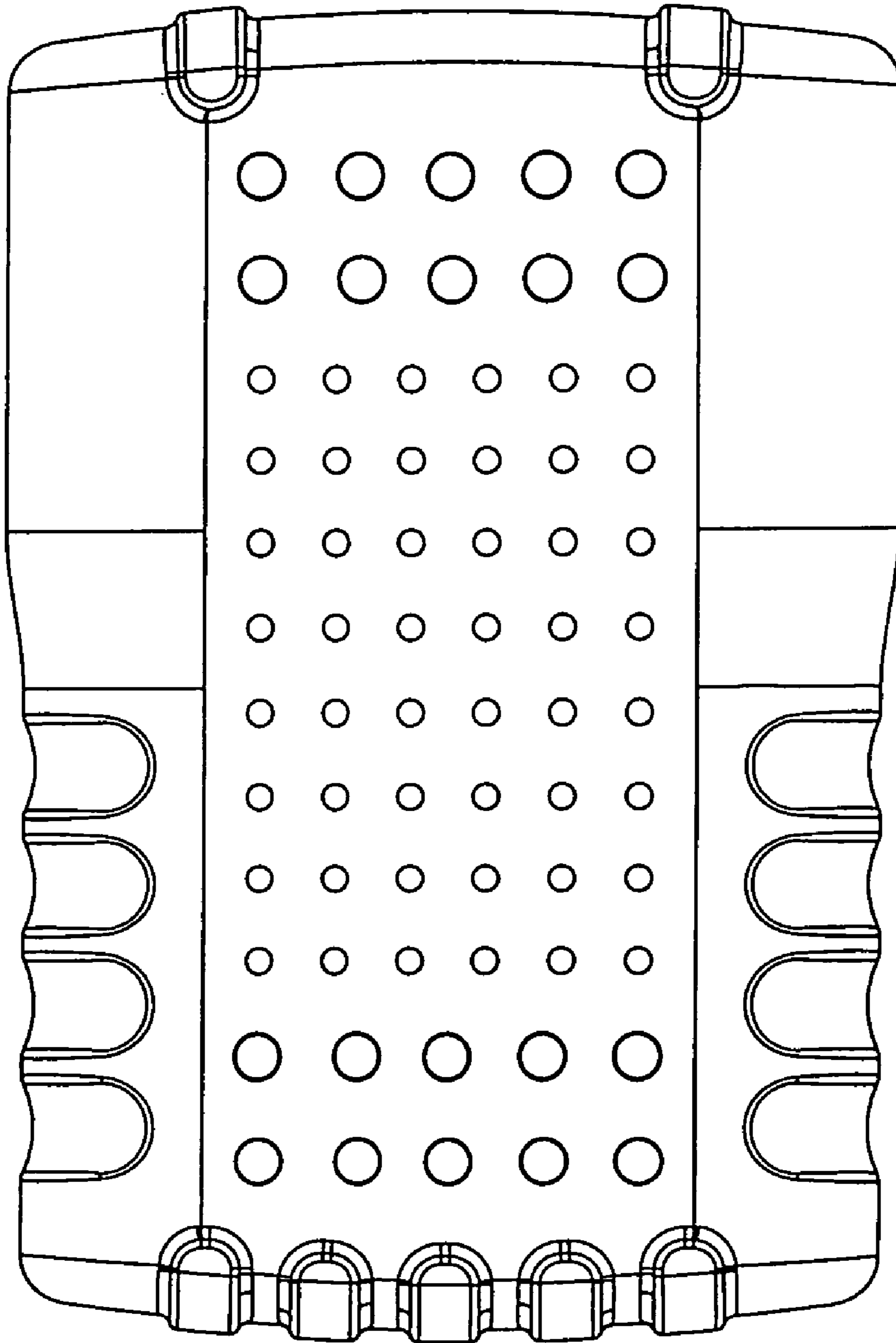


Figure 3

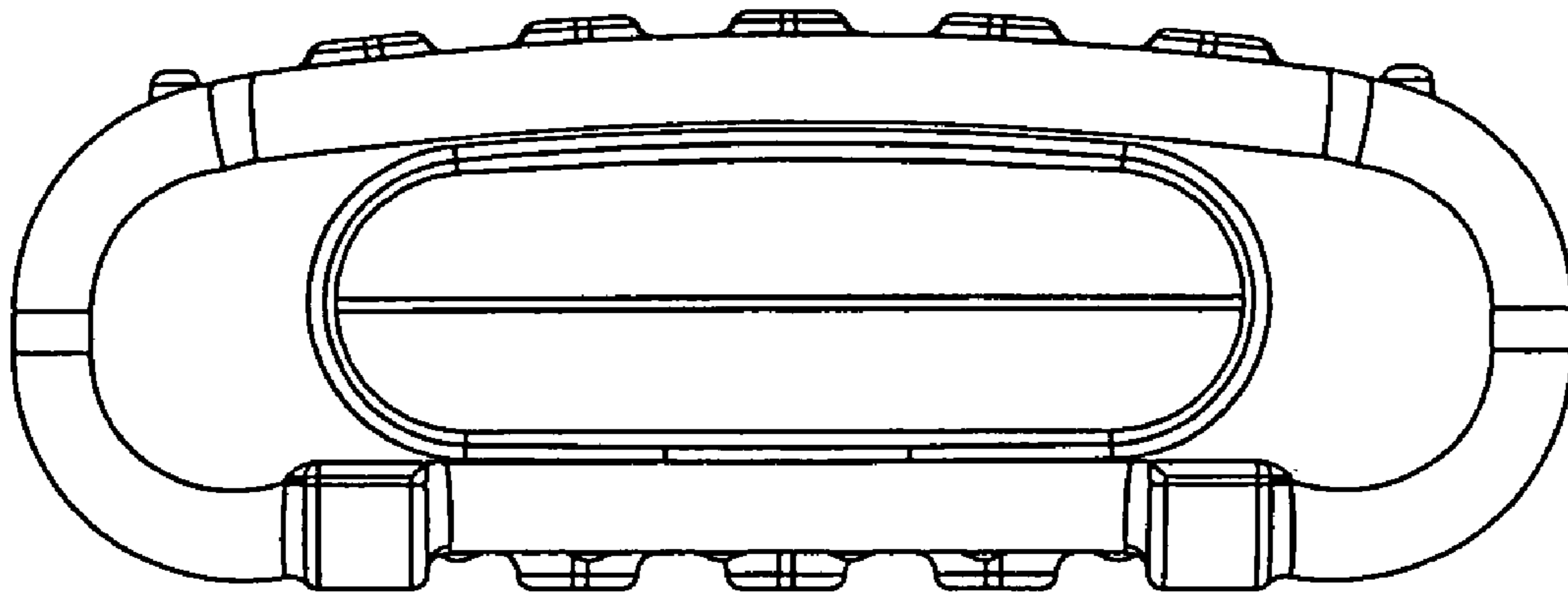


Figure 4

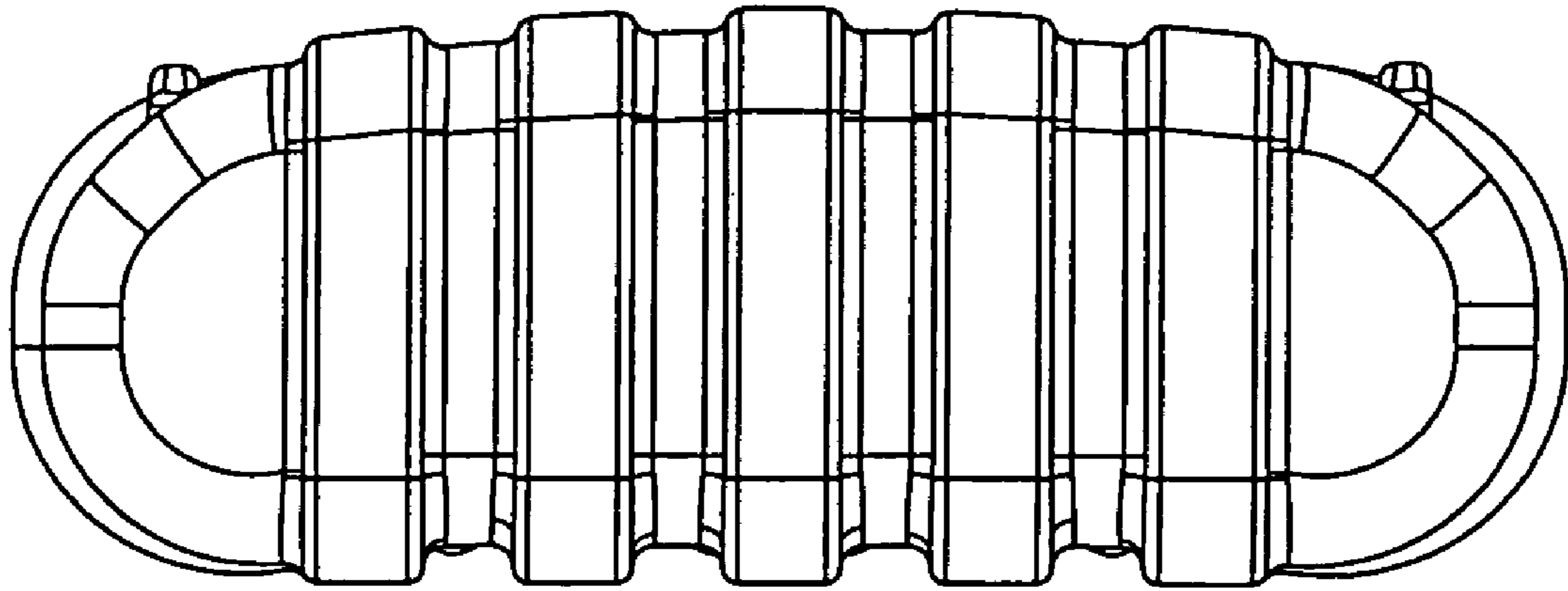


Figure 5

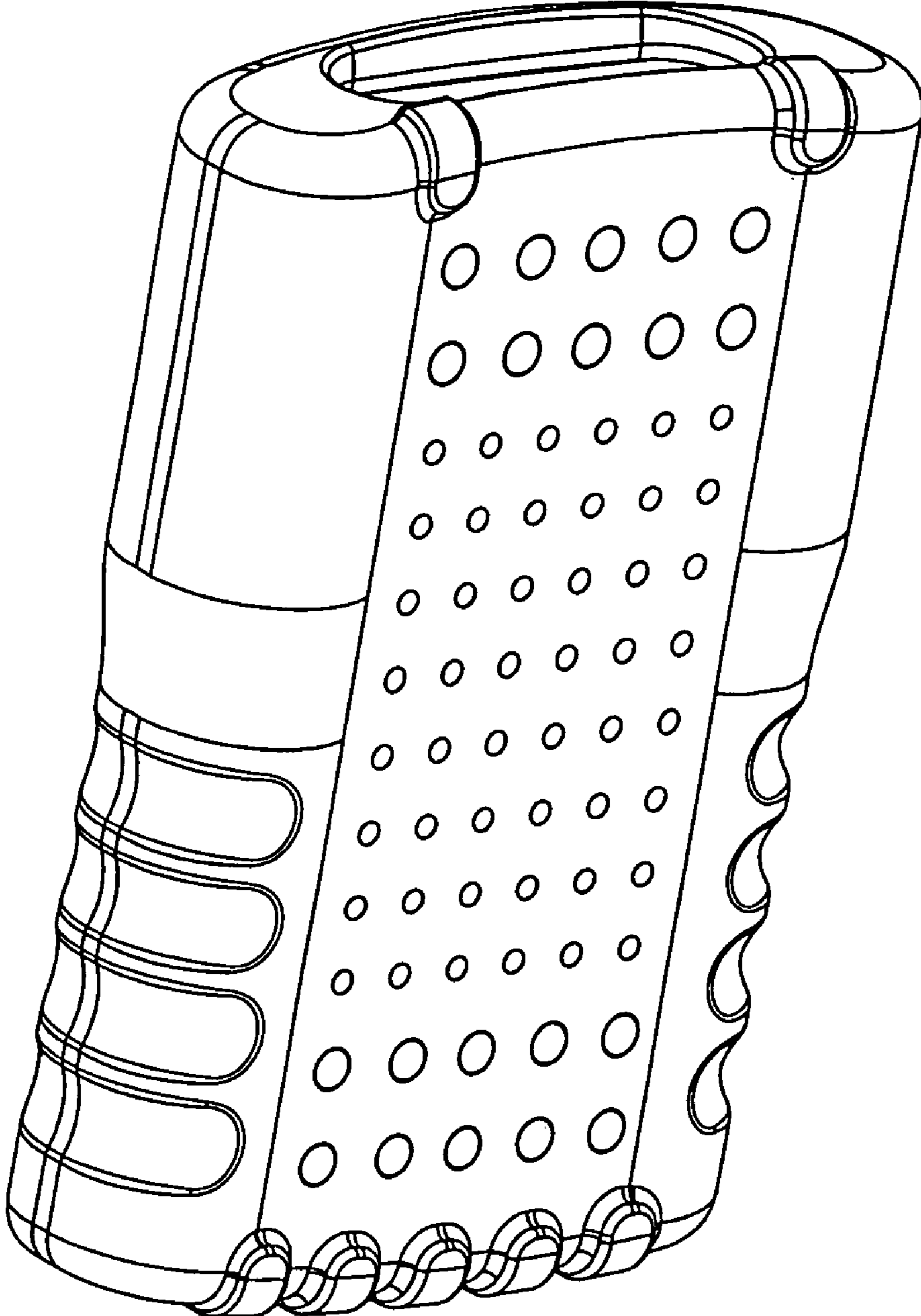


Figure 6

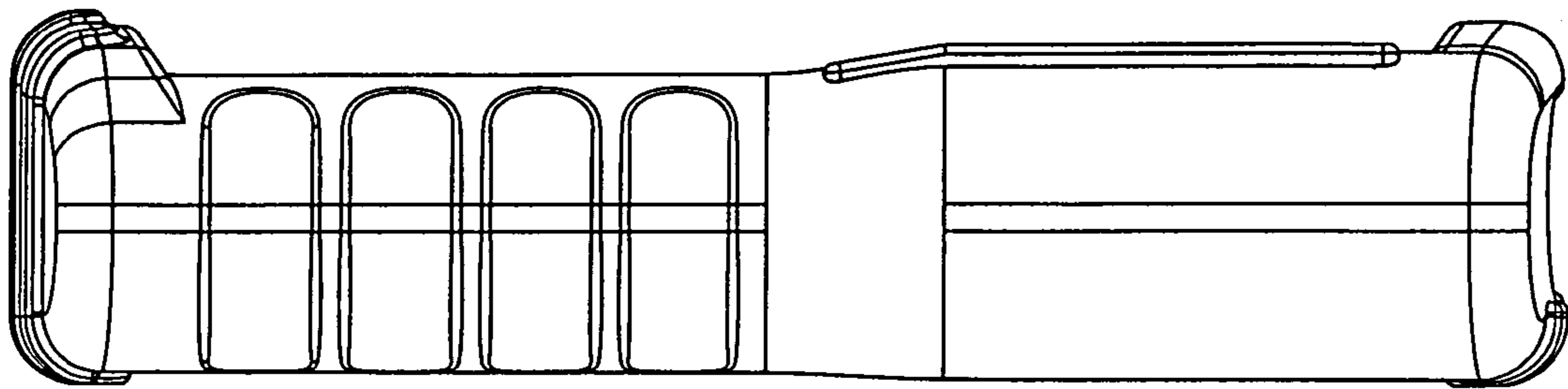


Figure 7

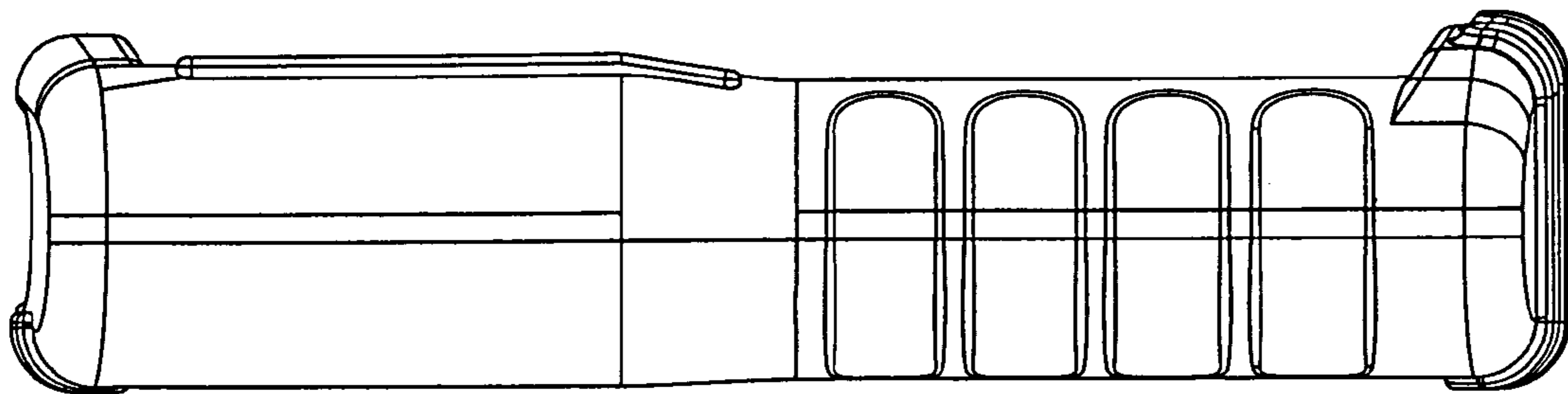


Figure 8