



US00D582799S

(12) **United States Design Patent**
Ulrich

(10) **Patent No.:** **US D582,799 S**
(45) **Date of Patent:** **** Dec. 16, 2008**

(54) **DIGITAL MANIFOLD**

(75) Inventor: **Manfred Ulrich**, Hitzkirch (CH)

(73) Assignee: **Refco Manufacturing Ltd**, Hitzkirch (CH)

(**) Term: **14 Years**

(21) Appl. No.: **29/289,410**

(22) Filed: **Jul. 18, 2007**

(30) **Foreign Application Priority Data**

Jan. 19, 2007 (EM) 000655345

(51) **LOC (8) Cl.** **10-04**

(52) **U.S. Cl.** **D10/50**

(58) **Field of Classification Search** D10/46,
D10/49-50; 236/46 R, 46 F, 47, 49.3, 51,
236/84, 94; 340/7.21-7.24, 7.32, 825.6,
340/825.72, 539.1, 539.14, 539.21, 539.26,
340/426.21, 584, 589, 870.17; 374/167;
400/485; 455/420, 226.1

See application file for complete search history.

(56) **References Cited**

U.S. PATENT DOCUMENTS

D356,511 S * 3/1995 Zeutzius D10/49

D505,344 S * 5/2005 Roher et al. D10/50
D506,151 S * 6/2005 Roher et al. D10/50
D507,976 S * 8/2005 Roher et al. D10/50
D516,925 S * 3/2006 Roher et al. D10/50

* cited by examiner

Primary Examiner—Antoine D Davis

(74) *Attorney, Agent, or Firm*—Devine Millimet & Branch, PA; Raymond I. Bruttomesso, Jr.; Paul C. Remus

(57) **CLAIM**

The ornamental design for digital manifold, as shown and described.

DESCRIPTION

FIG. 1 is a front left perspective view of a digital manifold showing my new design.

FIG. 2 is a front right perspective view thereof;

FIG. 3 is a bottom view thereof;

FIG. 4 is a left view thereof;

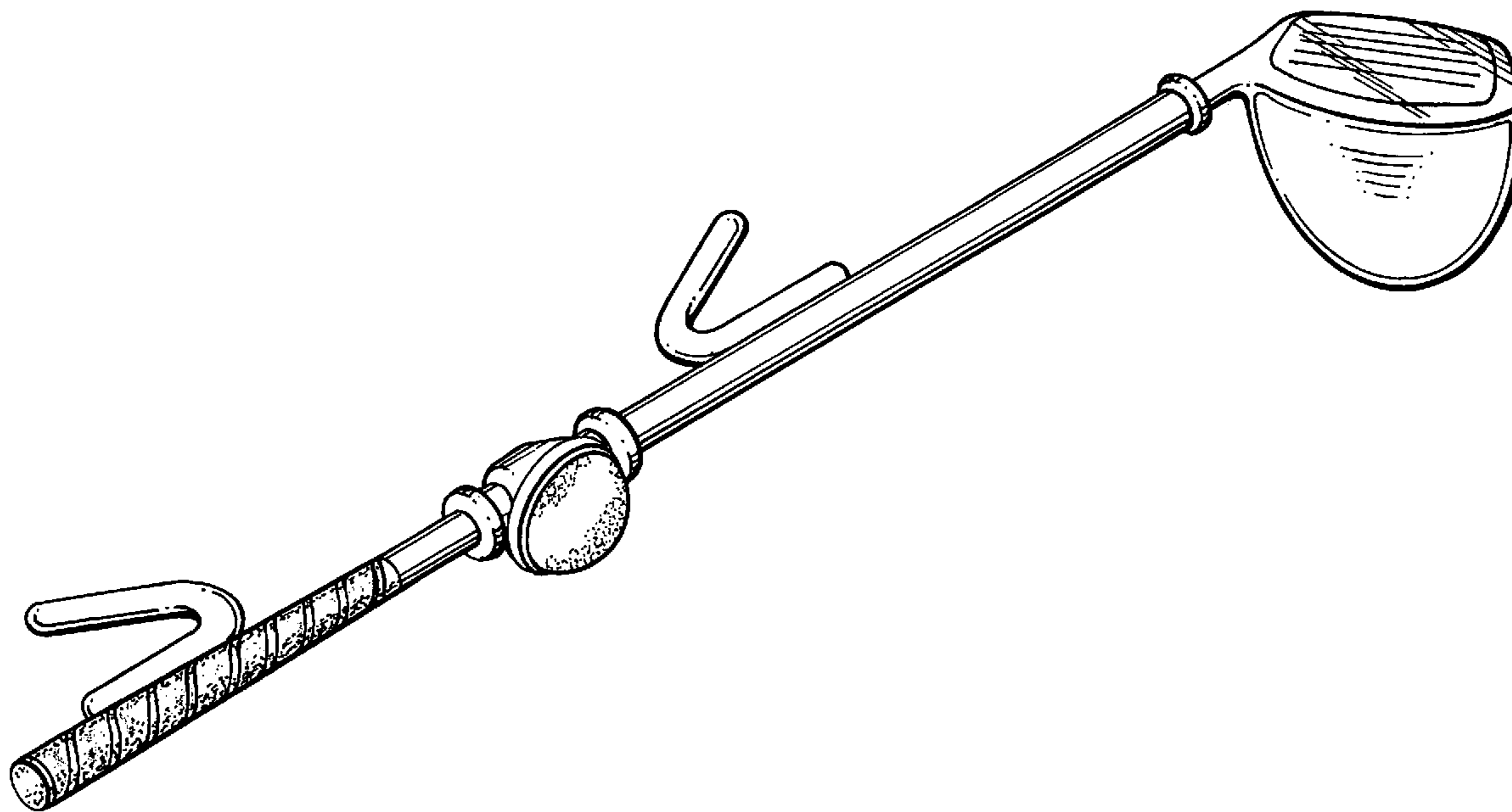
FIG. 5 is a front view thereof;

FIG. 6 is a top view thereof; and,

FIG. 7 is a back view thereof.

The phantom lines representation of the material displayed in FIGS. 1, 2, and 5 are for the purpose of illustration only.

1 Claim, 4 Drawing Sheets



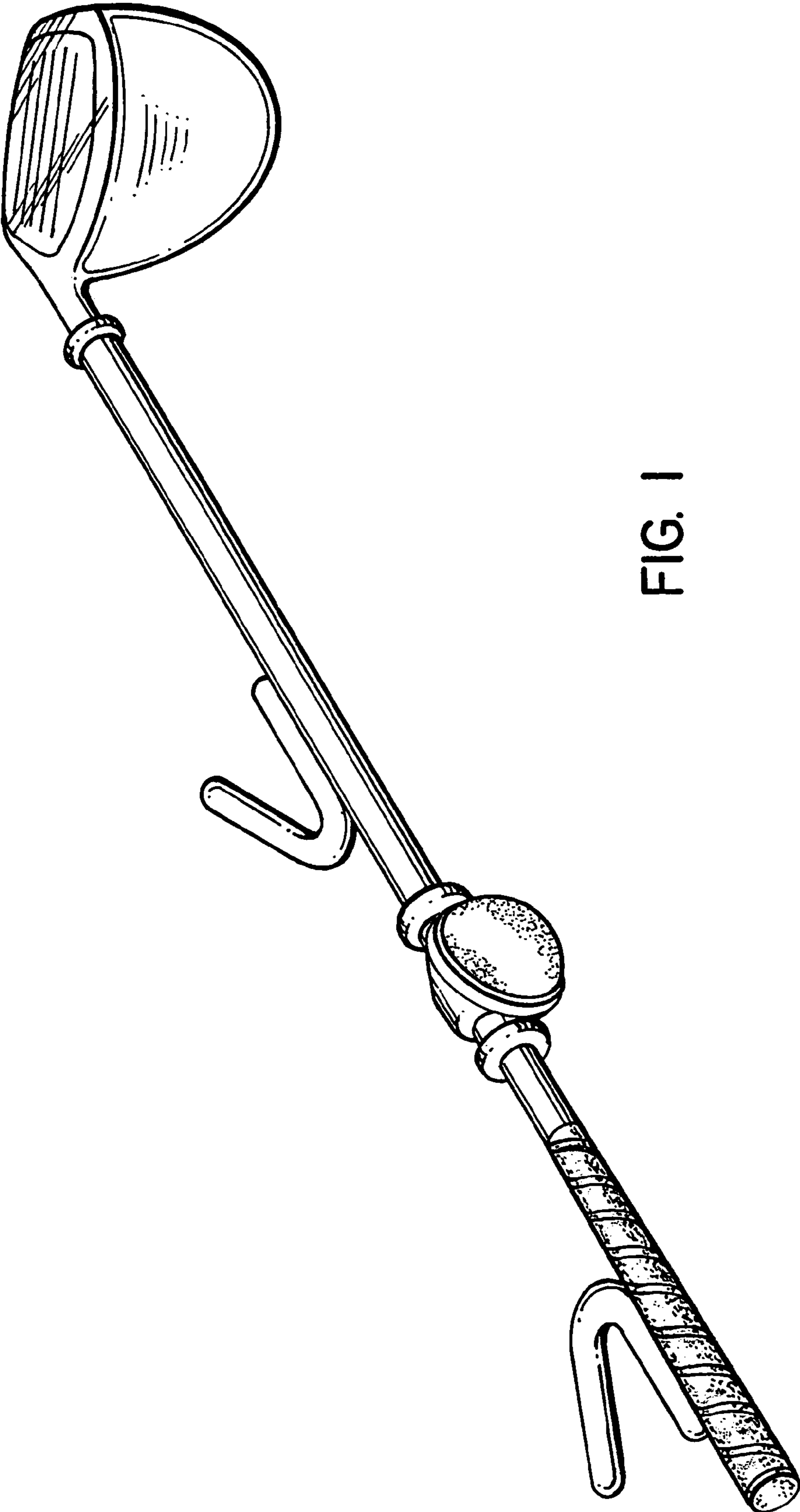


FIG. 1

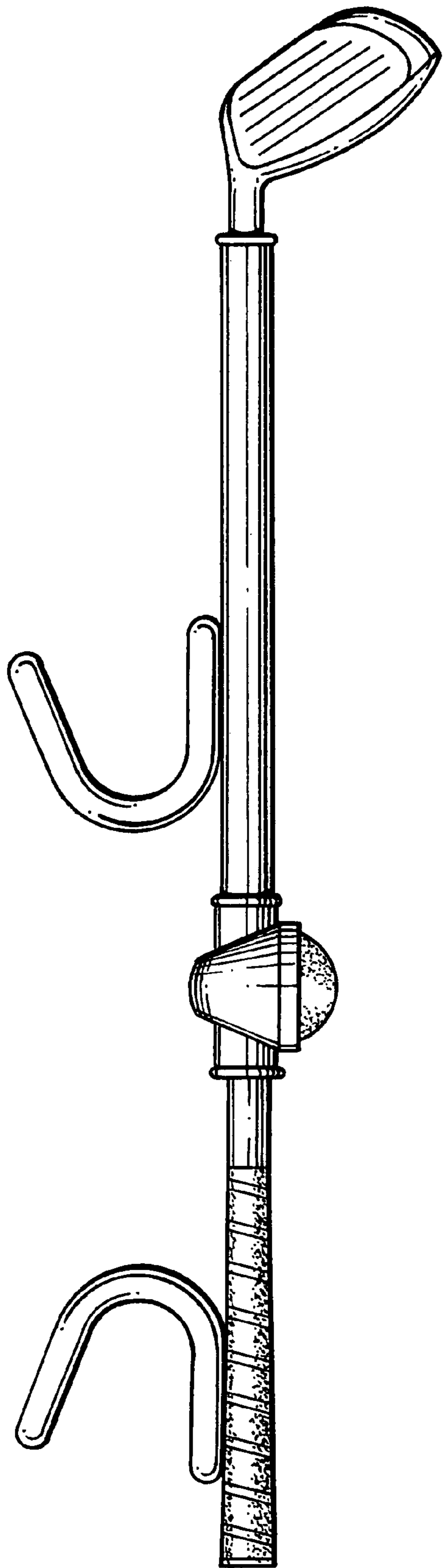


FIG. 2

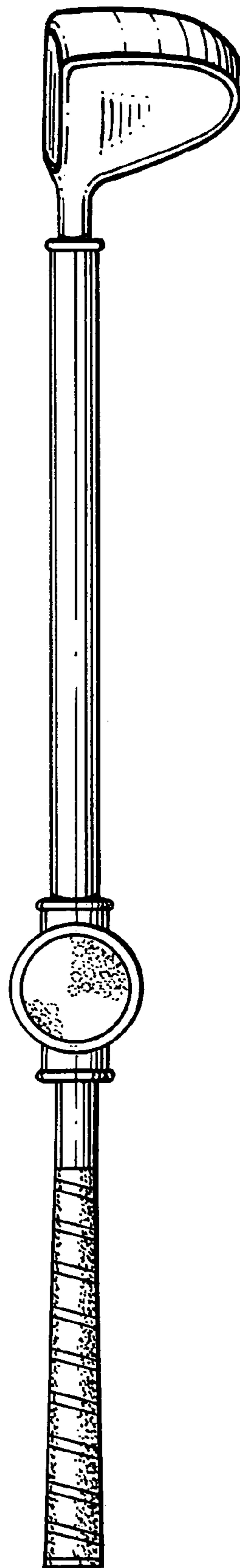


FIG. 3

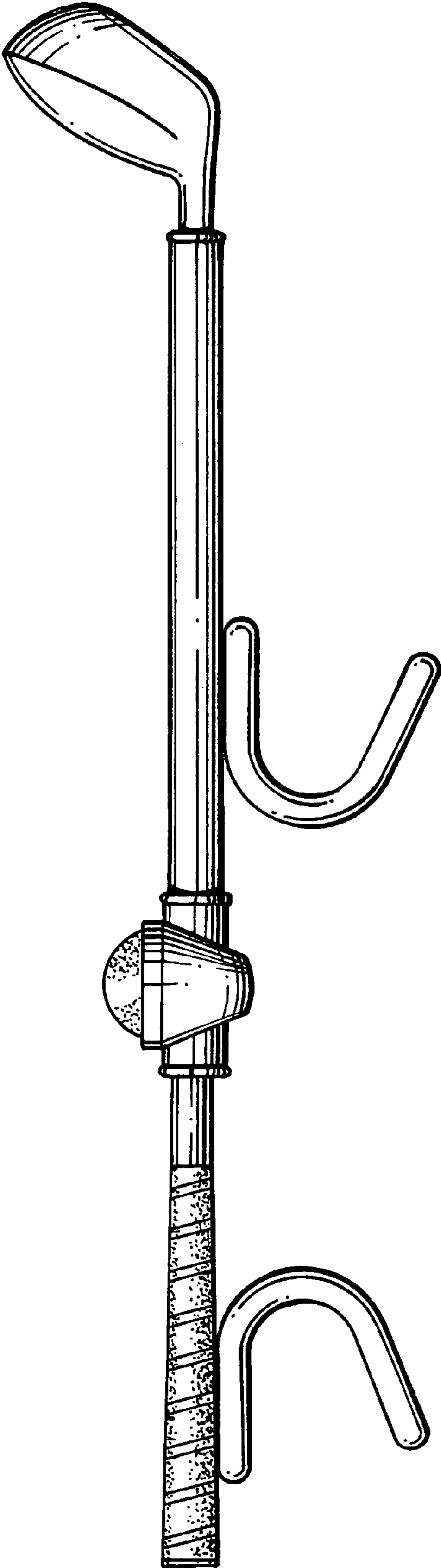


FIG. 4

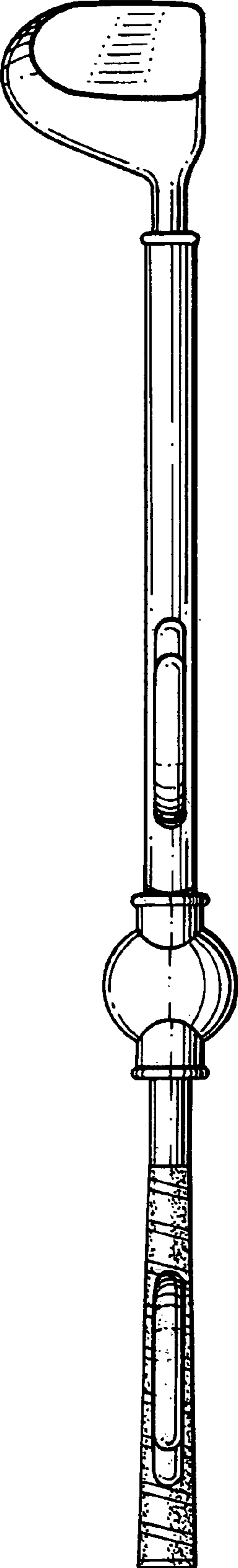


FIG. 5

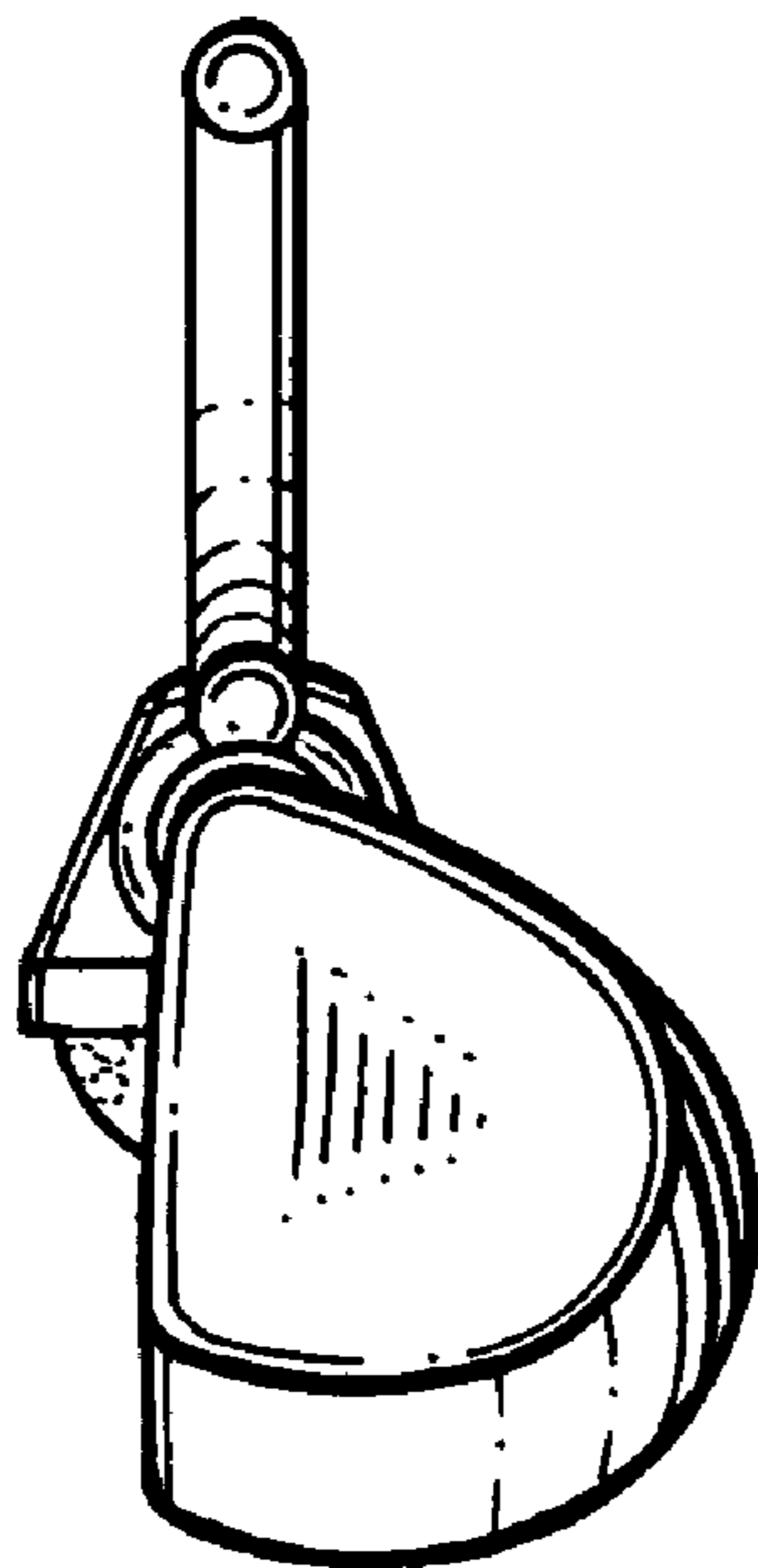


FIG. 7

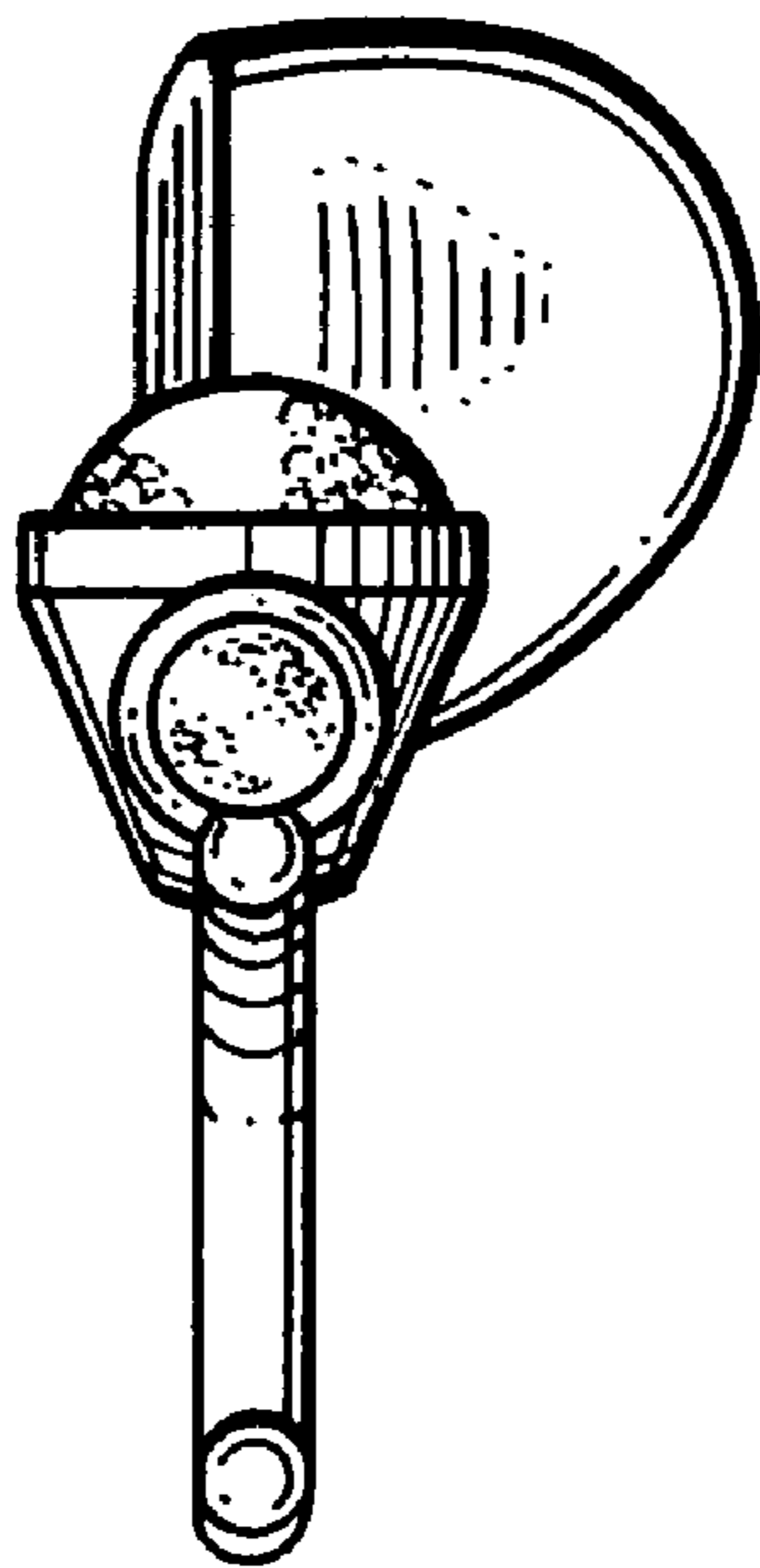


FIG. 6

UNITED STATES PATENT AND TRADEMARK OFFICE
CERTIFICATE OF CORRECTION

PATENT NO. : Des. 582,799 S
APPLICATION NO. : 29/289410
DATED : December 16, 2008
INVENTOR(S) : Ulrich et al.

Page 1 of 9

It is certified that error appears in the above-identified patent and that said Letters Patent is hereby corrected as shown below:

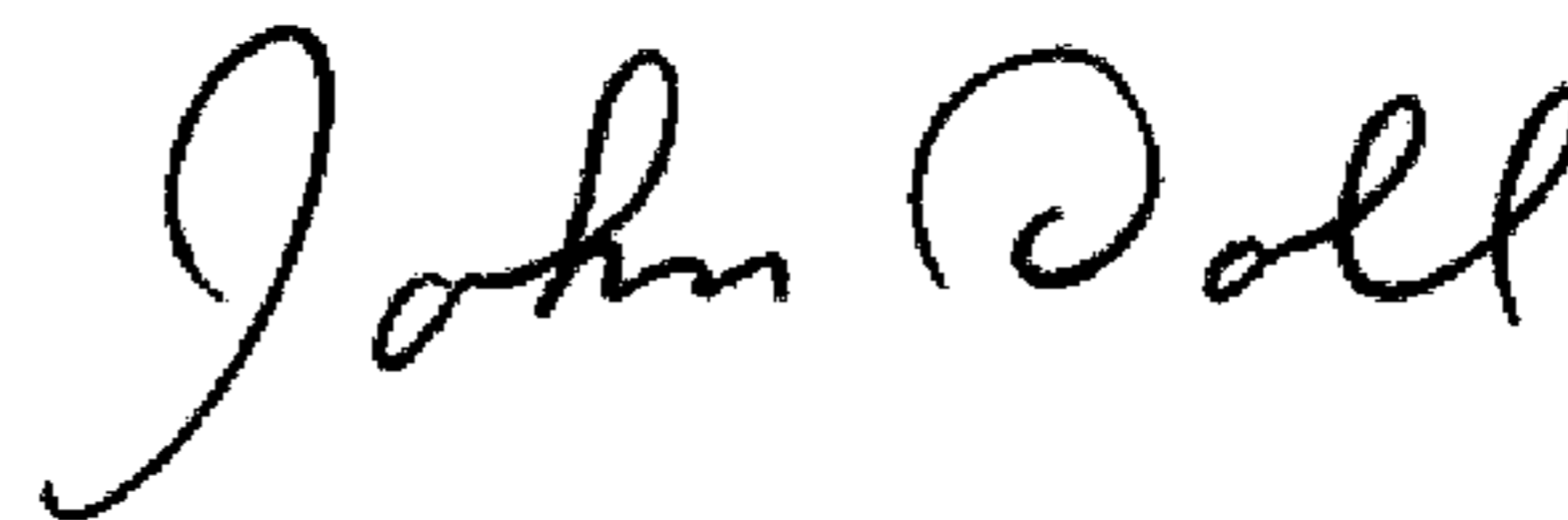
Item (12) delete "Ulrich" and insert -- Ulrich et al. --.

Item (75) Inventor, Insert -- and Julia Kopp-Dransfeld, Kreuzlingen (CH) --.

The Title Page, showing an illustrative figure should be **deleted** and **substitute** therefor the attached Title Page.

Delete drawing sheets 1-4 and **substitute** therefor the drawing sheets consisting of Figs 1-7 as shown on the attached pages.

Signed and Sealed this
Sixteenth Day of June, 2009



JOHN DOLL
Acting Director of the United States Patent and Trademark Office

(12) **United States Design Patent**
Ulrich et al.

(10) **Patent No.:** **US D582,799 S**
(45) **Date of Patent:** **** Dec. 16, 2008**

(54) **DIGITAL MANIFOLD**

(75) **Inventor:** **Manfred Ulrich, Hitzkirch (CH)**
Julia Kopp-Dransfeld, Kreuzlingen
(CH)

(73) **Assignee:** **Refco Manufacturing Ltd, Hitzkirch**
(CH)

(**) **Term:** **14 Years**

(21) **Appl. No.:** **29/289,410**

(22) **Filed:** **Jul. 18, 2007**

(30) **Foreign Application Priority Data**

Jan. 19, 2007 (EM) 000655345

(51) **LOC (8) Cl.** **10-04**

(52) **U.S. Cl.** **D10/50**

(58) **Field of Classification Search** **D10/46,**
D10/49-50; 236/46 R, 46 F, 47, 49.3, 51,
236/84, 94; 340/7.21-7.24, 7.32, 825.6,
340/825.72, 539.1, 539.14, 539.21, 539.26,
340/426.21, 584, 589, 870.17; 374/167;
400/485; 455/420, 226.1

See application file for complete search history.

(56) **References Cited**

U.S. PATENT DOCUMENTS

D356,511 S * 3/1995 Zeutzius D10/49

D505,344 S * 5/2005 Rober et al. D10/50
D506,151 S * 6/2005 Rober et al. D10/50
D507,976 S * 8/2005 Rober et al. D10/50
D516,925 S * 3/2006 Rober et al. D10/50

* cited by examiner

Primary Examiner—Antoine D Davis

(74) *Attorney, Agent, or Firm*—Devine Millimet & Branch,
PA; Raymond I. Bruttomesso, Jr.; Paul C. Remus

(57) **CLAIM**

The ornamental design for digital manifold, as shown and described.

DESCRIPTION

FIG. 1 is a front left perspective view of a digital manifold showing my new design.

FIG. 2 is a front right perspective view thereof;

FIG. 3 is a bottom view thereof;

FIG. 4 is a left view thereof;

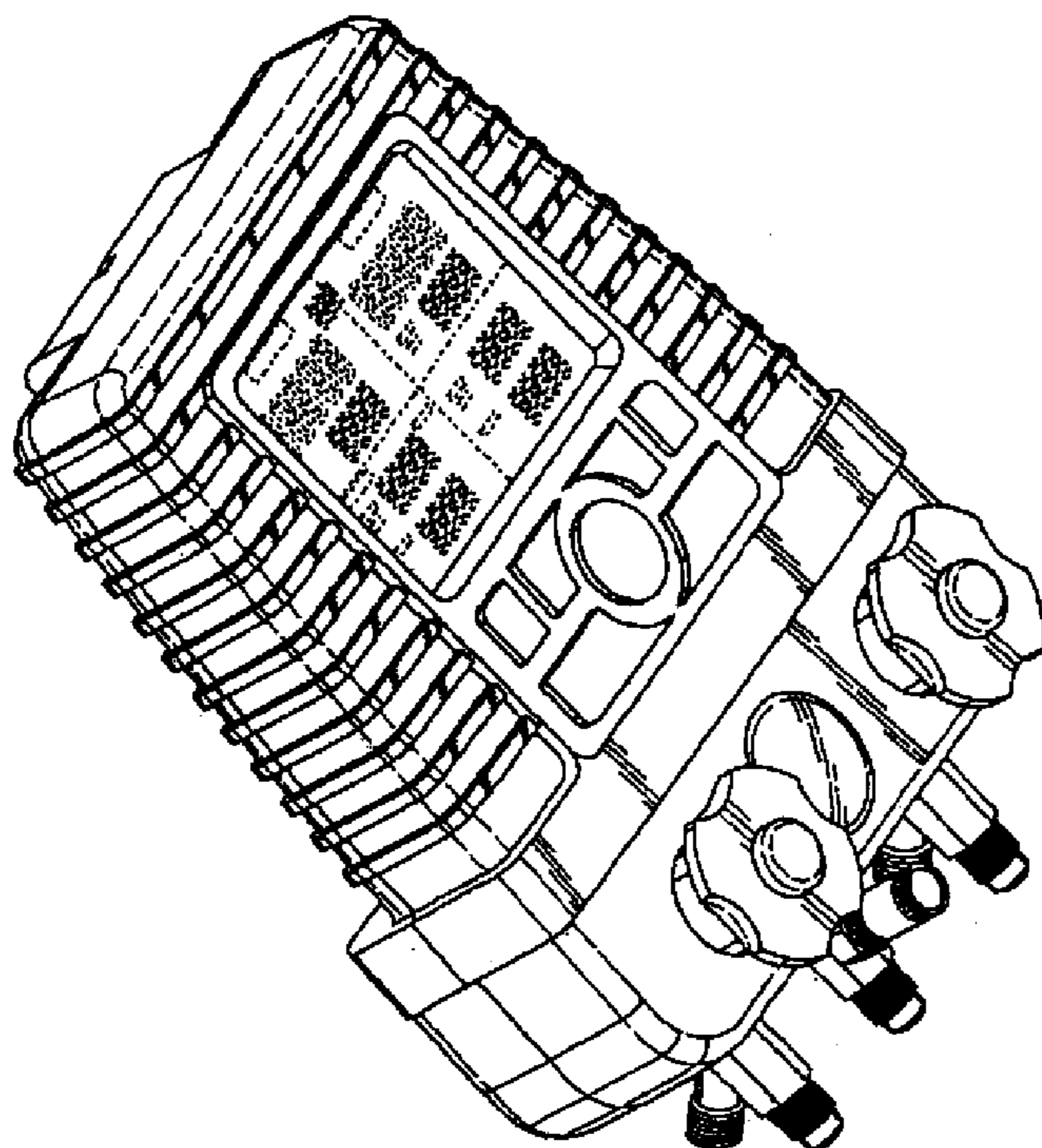
FIG. 5 is a front view thereof;

FIG. 6 is a top view thereof; and,

FIG. 7 is a back view thereof.

The phantom lines representation of the material displayed in FIGS. 1, 2, and 5 are for the purpose of illustration only.

1 Claim, 7 Drawing Sheets



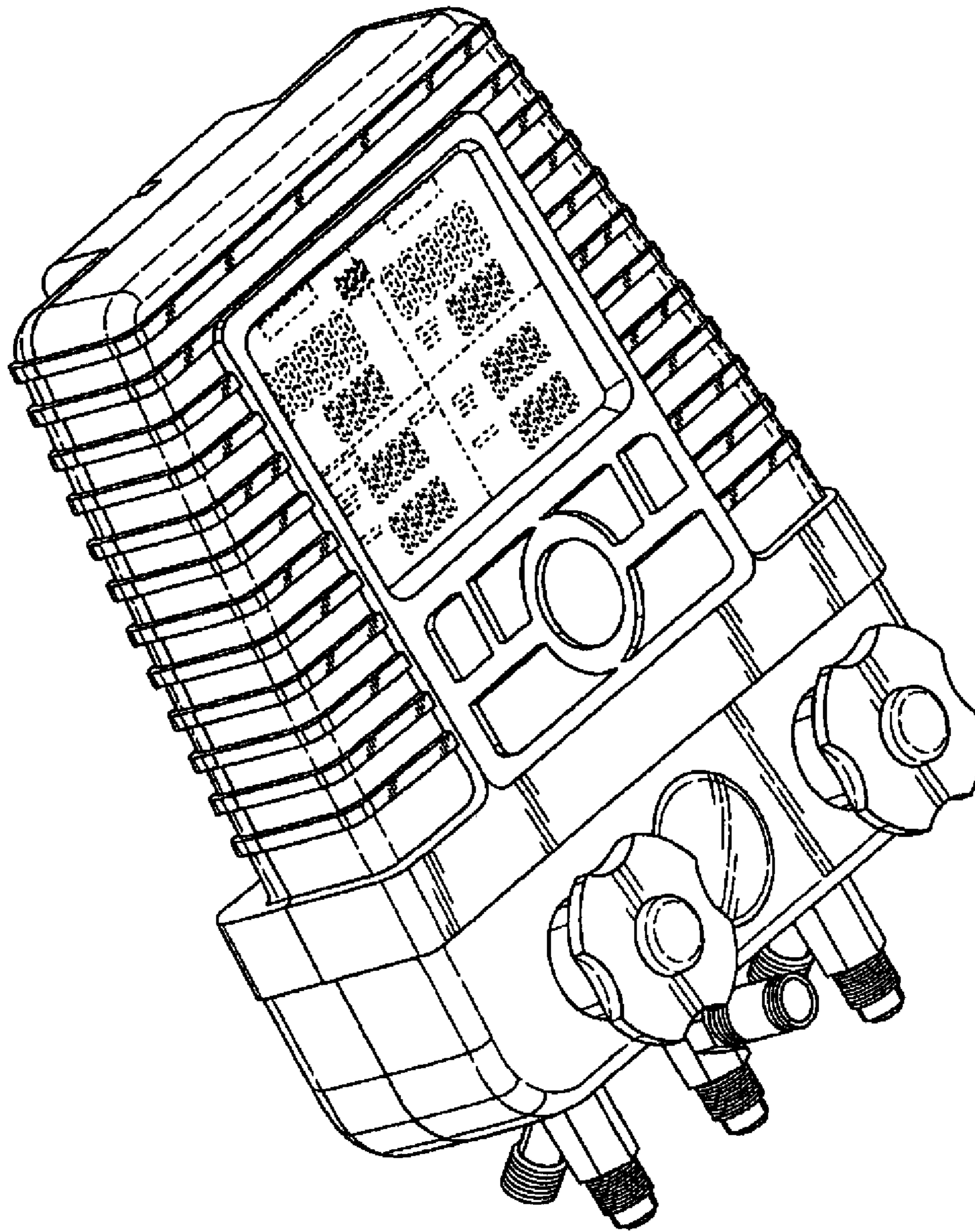


FIG. 1

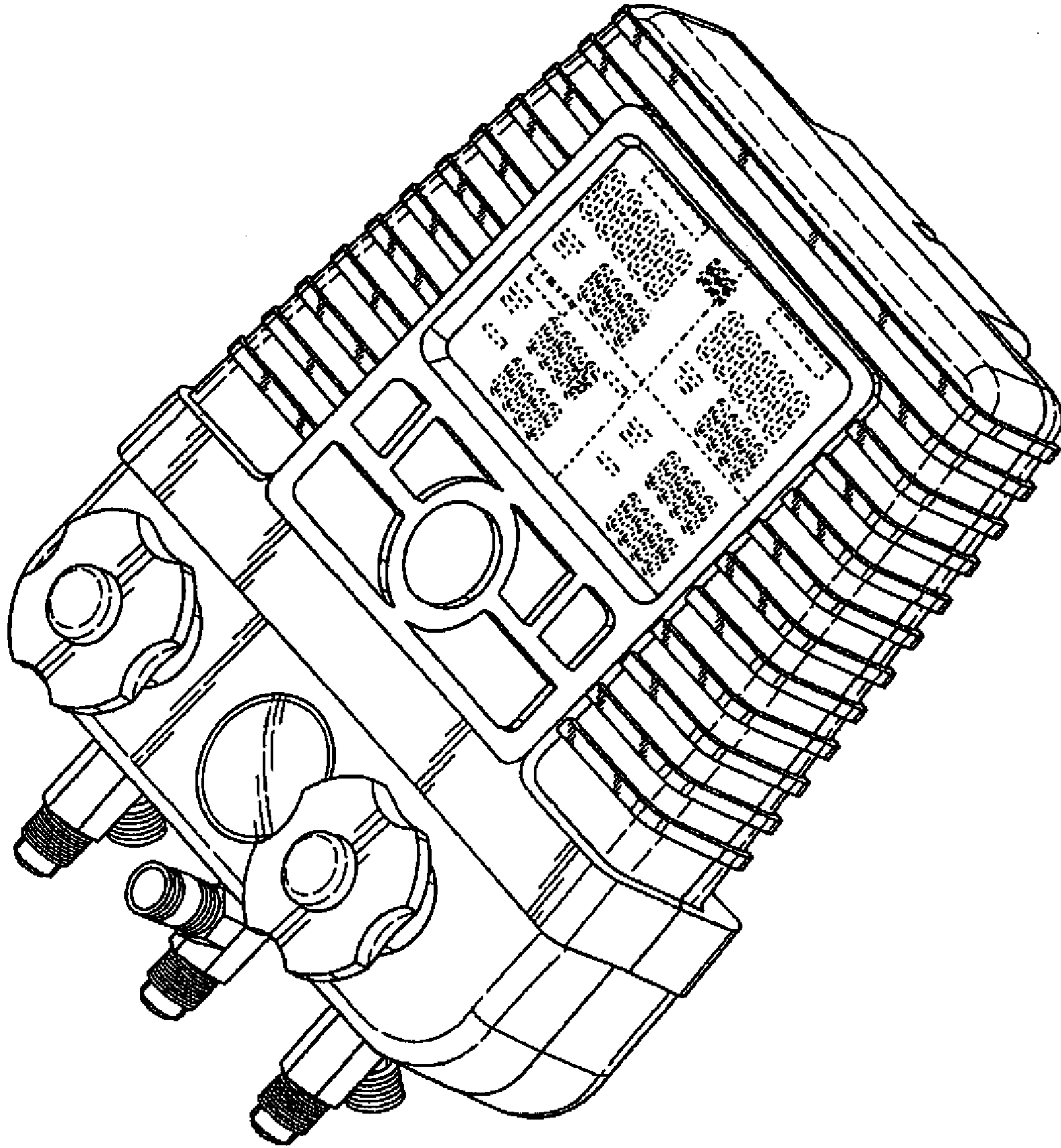


FIG. 2

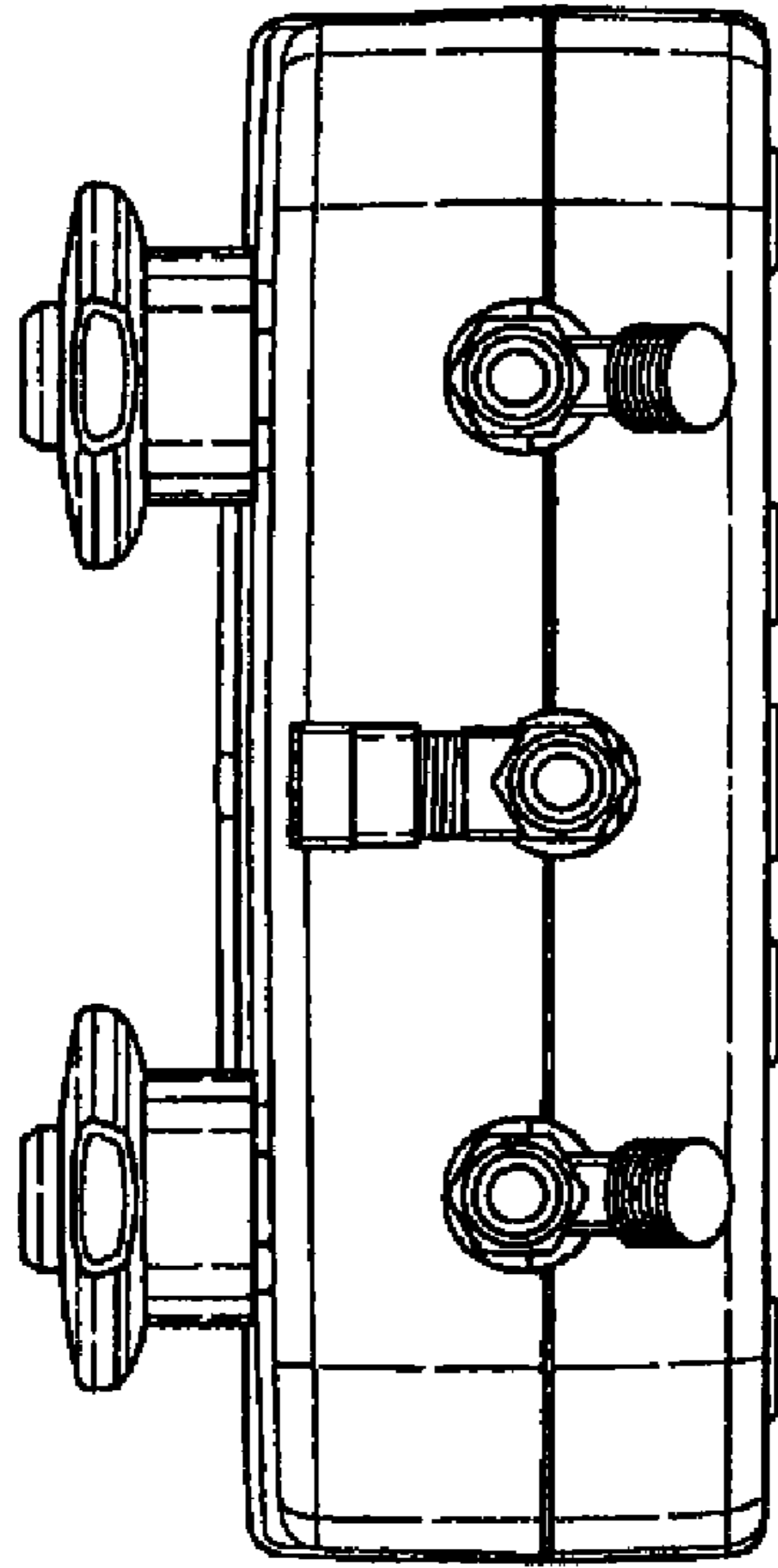


FIG. 3

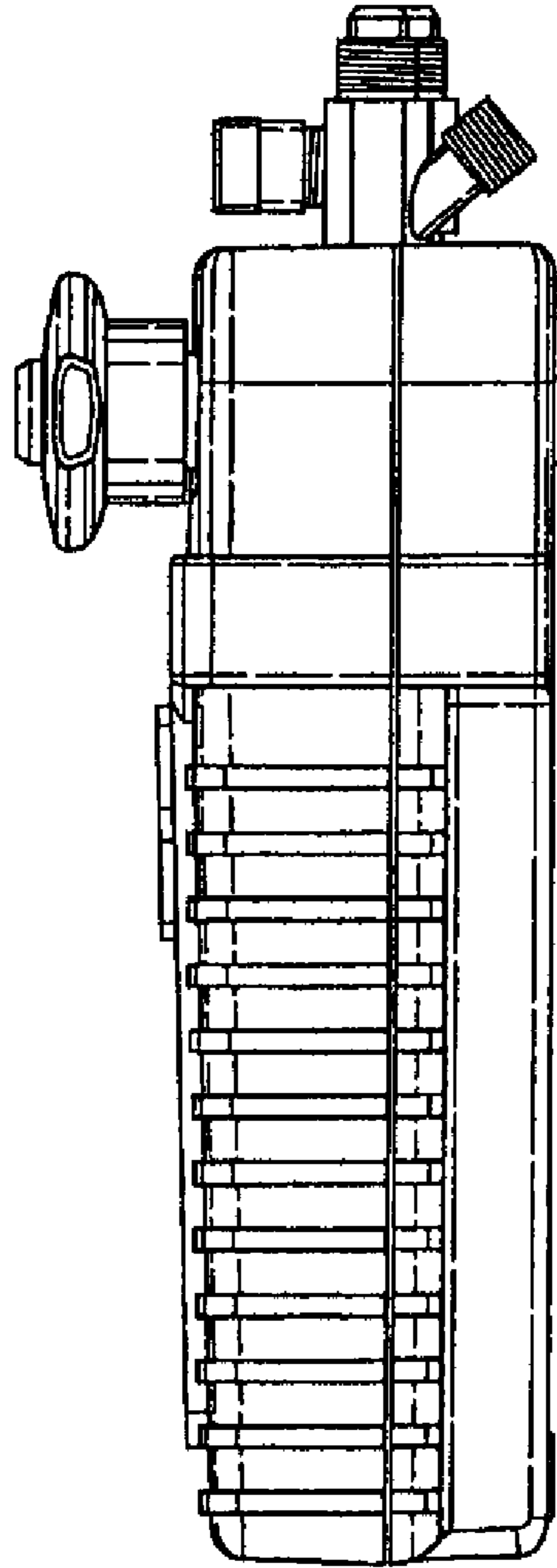


FIG. 4

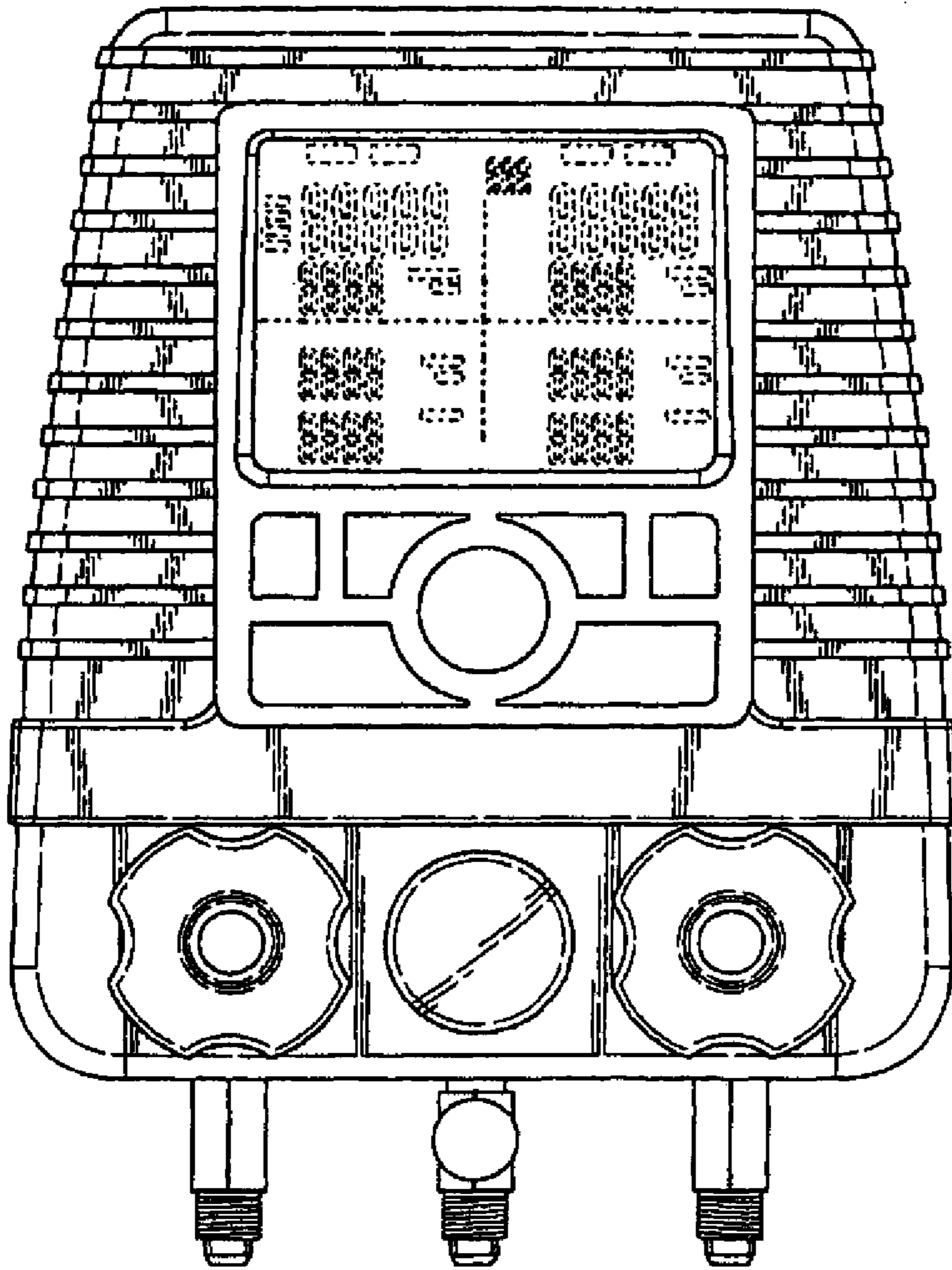


FIG. 5

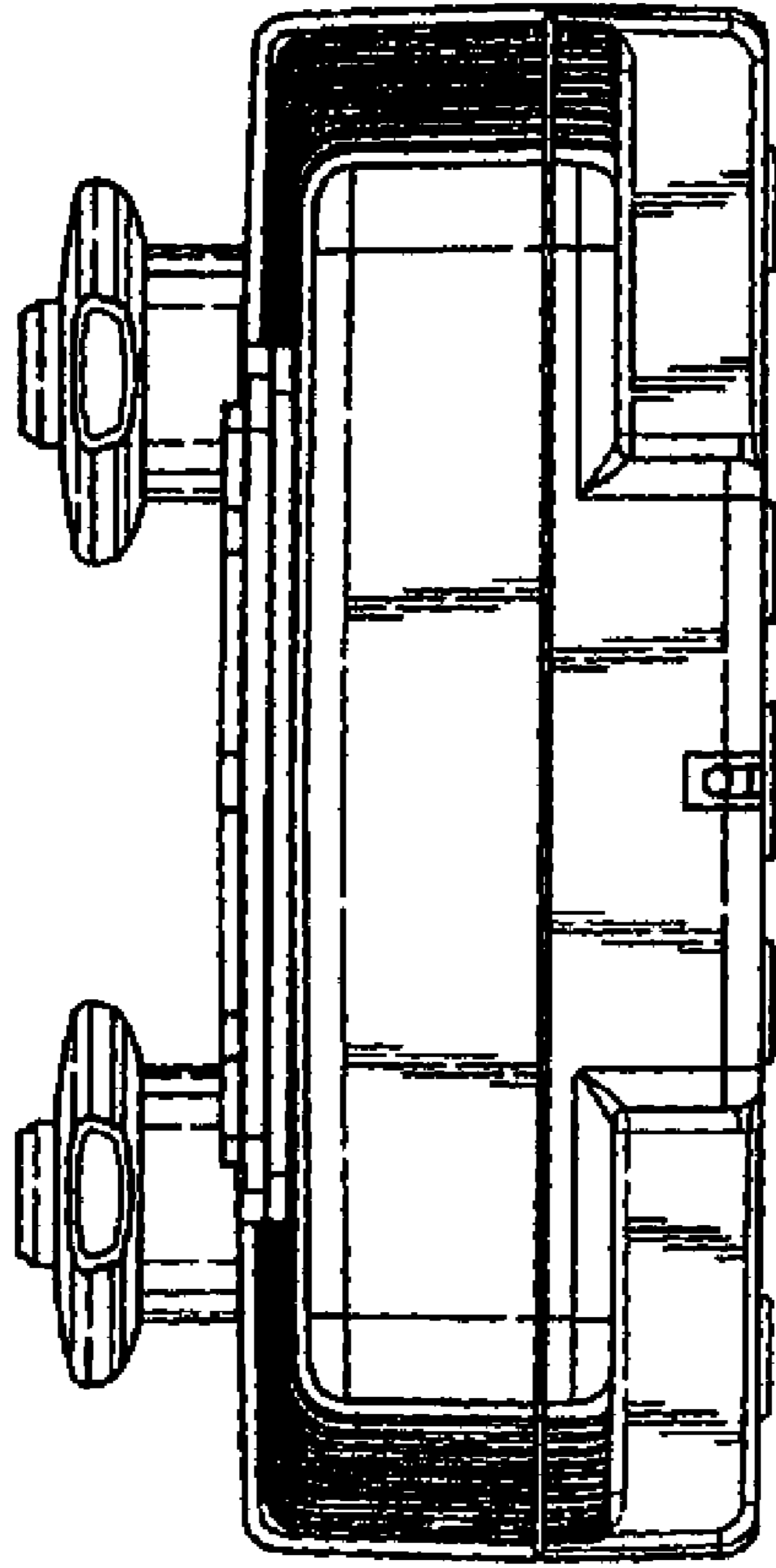


FIG. 6

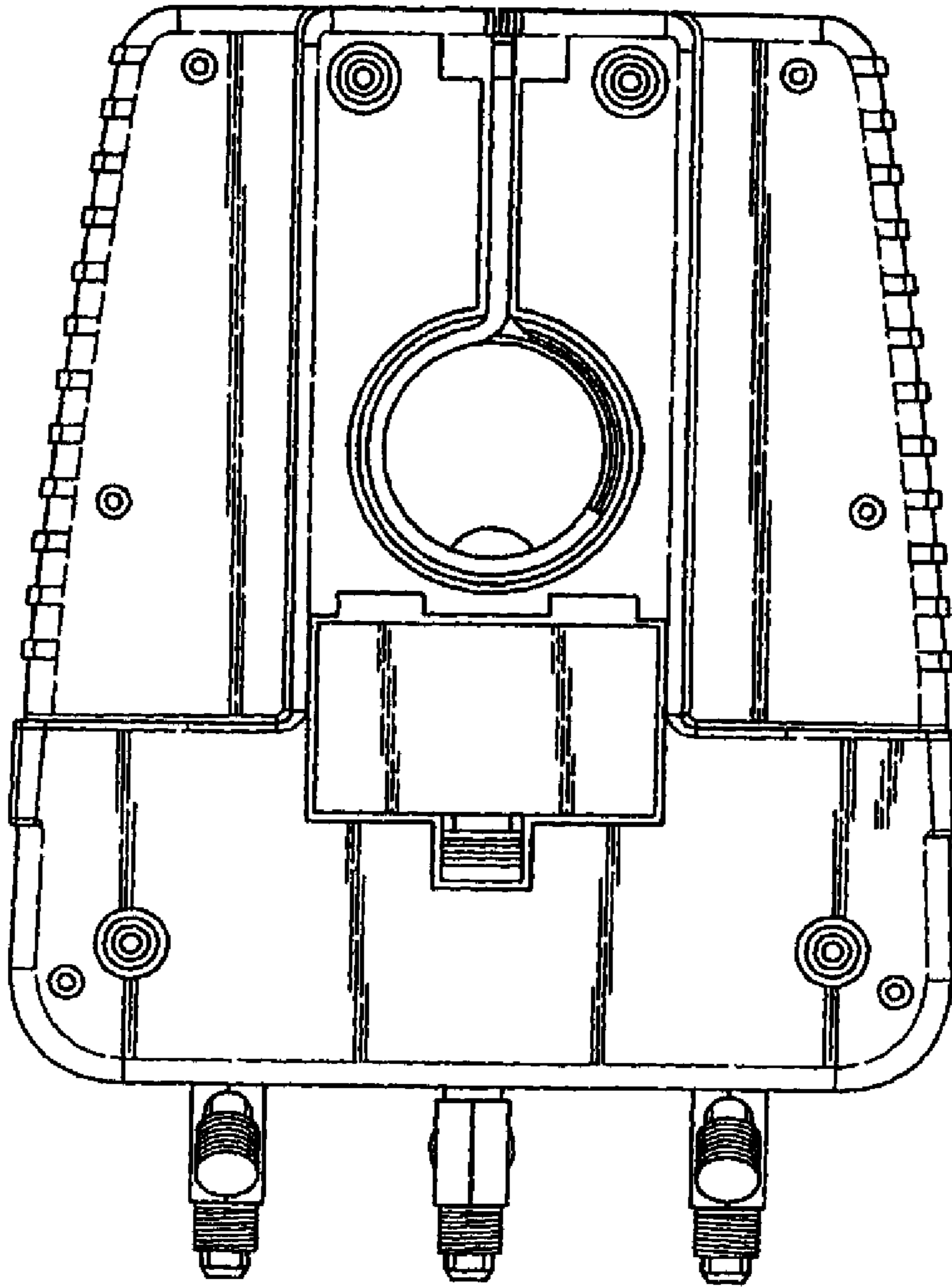


FIG. 7