

US00D582797S

(12) **United States Design Patent**
Fraser et al.

(10) **Patent No.:** **US D582,797 S**
(45) **Date of Patent:** **** Dec. 16, 2008**

(54) **BATH FAN TIMER CONSOLE**

(75) Inventors: **Brian Fraser**, Atlanta, GA (US); **Ty Hagler**, Durham, NC (US); **Hayden Williams**, Austell, GA (US); **Hua Li**, Roswell, GA (US)

(73) Assignee: **Home Depot USA, Inc.**, Atlanta, GA (US)

(**) Term: **14 Years**

(21) Appl. No.: **29/324,525**

(22) Filed: **Sep. 15, 2008**

(51) **LOC (8) Cl.** **10-03**

(52) **U.S. Cl.** **D10/40**

(58) **Field of Classification Search** D10/40;
368/107-123; 307/140; D13/162, 162.1,
D13/164; 200/330

See application file for complete search history.

(56) **References Cited**

U.S. PATENT DOCUMENTS

- D310,992 S * 10/1990 Rosenbaum et al. D13/170
- 5,160,853 A * 11/1992 Simon et al. 307/140
- D387,736 S * 12/1997 Adams et al. D13/164
- D412,492 S * 8/1999 Gatchell et al. D13/164
- D429,699 S * 8/2000 Davis et al. D13/162

- 6,120,262 A * 9/2000 McDonough et al. 417/424.1
- D435,523 S * 12/2000 Ciornei et al. D13/164
- D500,686 S * 1/2005 Stekelenburg D10/40
- D500,687 S * 1/2005 Morrison et al. D10/40
- 6,891,284 B2 * 5/2005 Tilley 307/116
- D533,512 S * 12/2006 Nakashima et al. D13/164
- D539,234 S * 3/2007 Blair et al. D13/162
- D567,189 S * 4/2008 Stiles, Jr. et al. D13/164
- D575,646 S * 8/2008 Ni et al. D10/40

* cited by examiner

Primary Examiner—Lucy Lieberman

(74) *Attorney, Agent, or Firm*—Issac T. Lin

(57) **CLAIM**

The ornamental design for a bath fan timer console, as shown and described.

DESCRIPTION

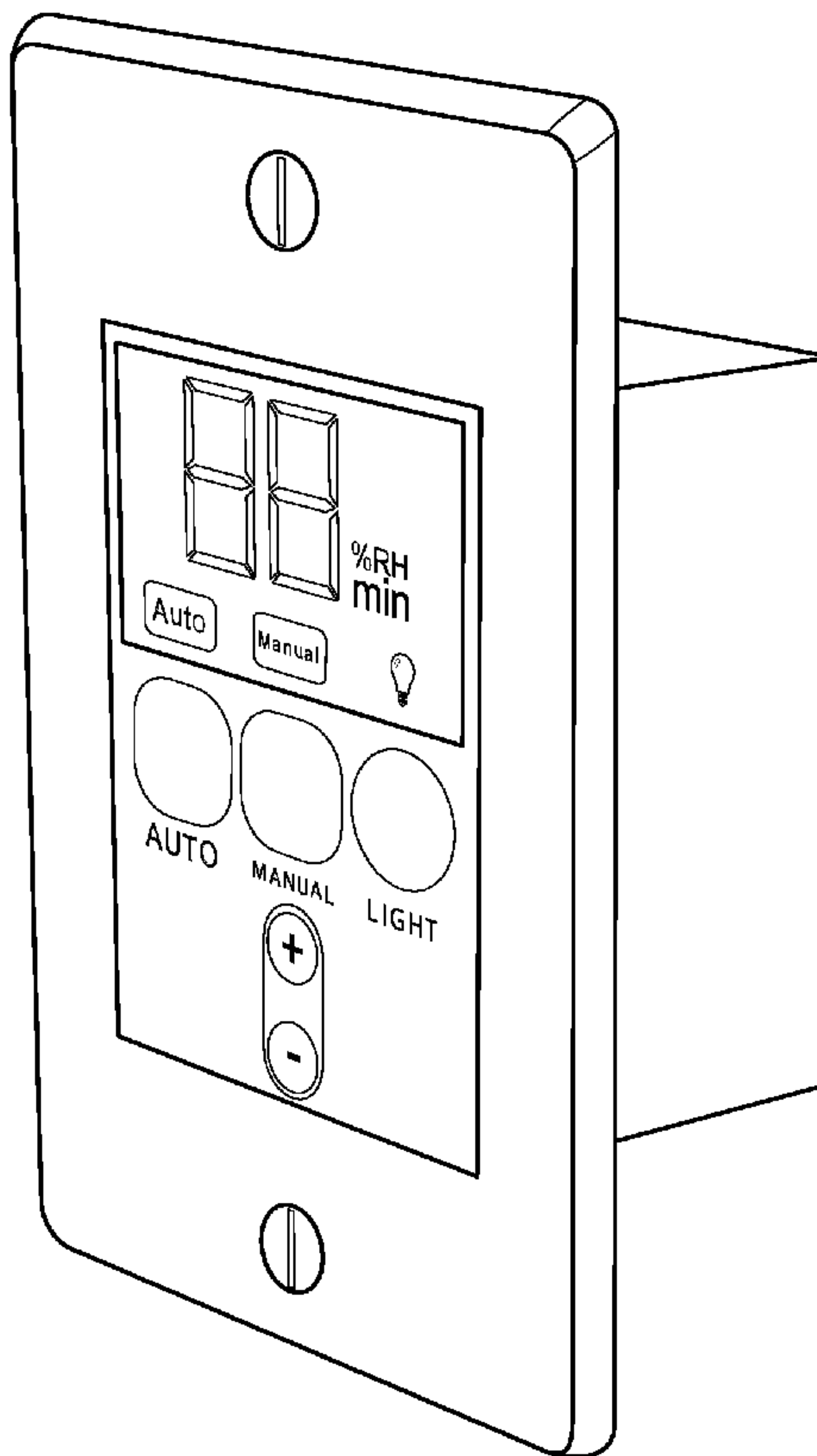
FIG. 1 is a perspective view showing the new design.

FIG. 2 is a front view of the bath fan timer console shown in FIG. 1.

FIG. 3 is a top view of the bath fan timer console shown in FIGS. 1-2, with the bottom view being a mirror image; and,

FIG. 4 is a left side view of the bath fan timer console shown in FIGS. 1-3, with the right side view being a mirror image.

1 Claim, 3 Drawing Sheets



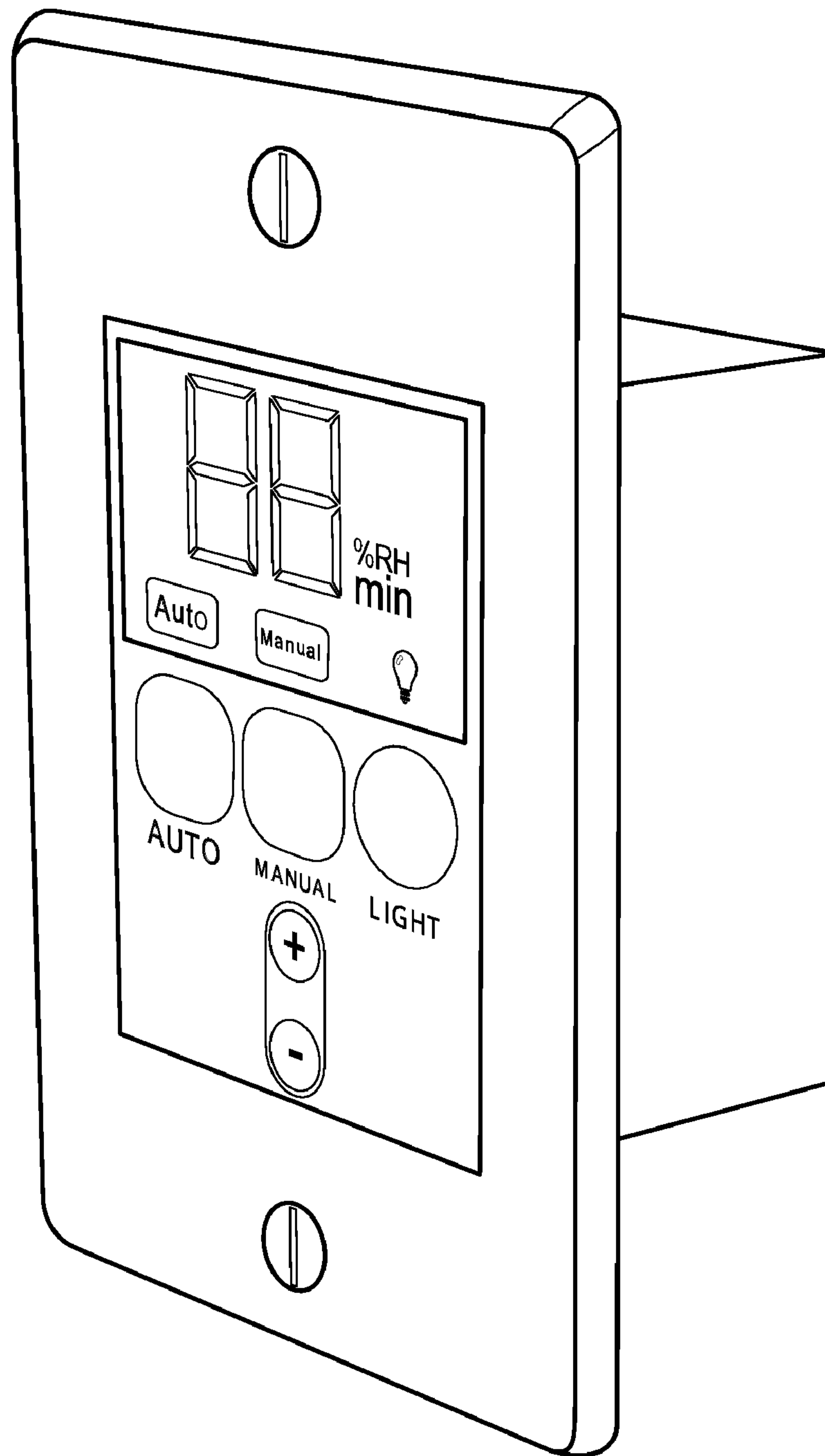


Fig. 1

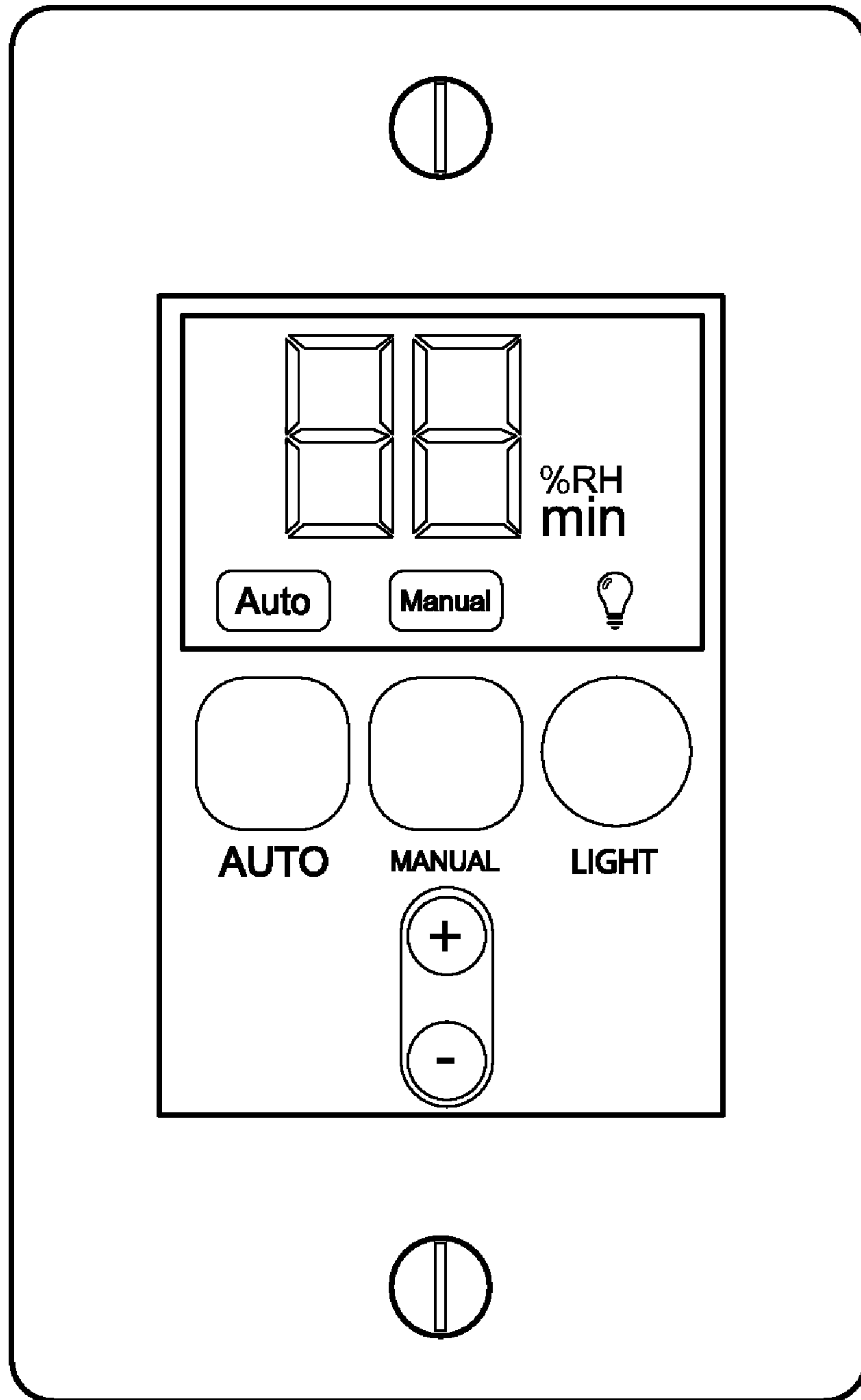


Fig. 2

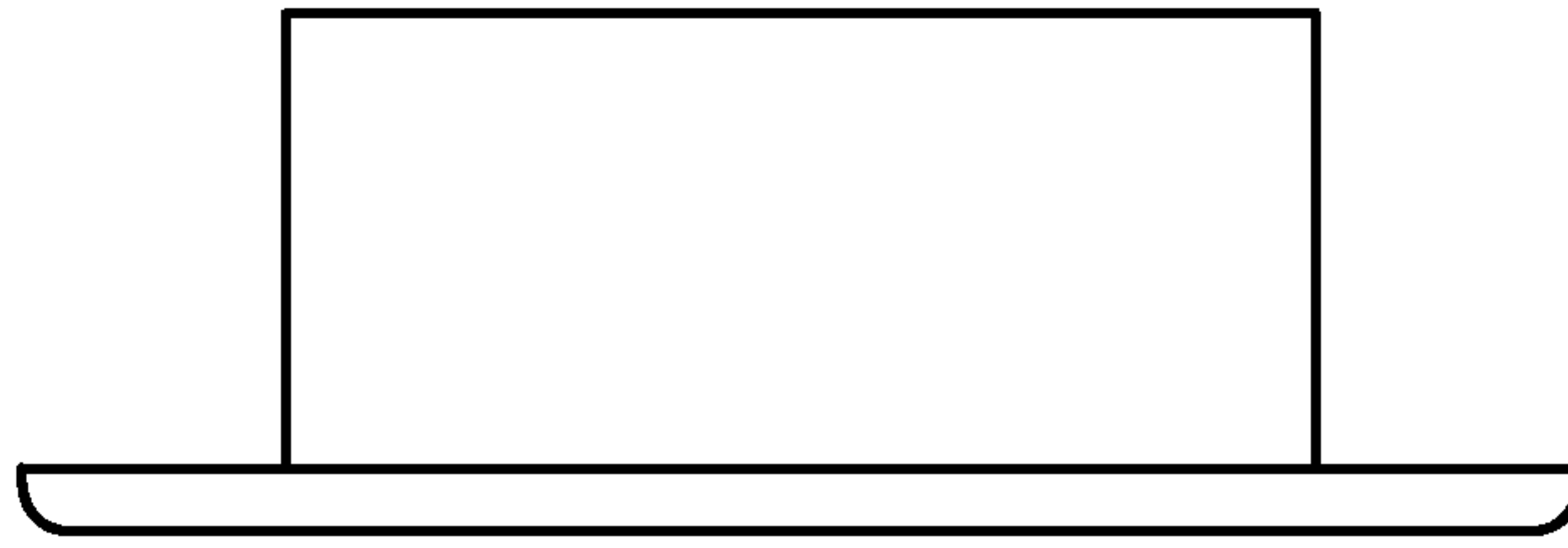


Fig. 3

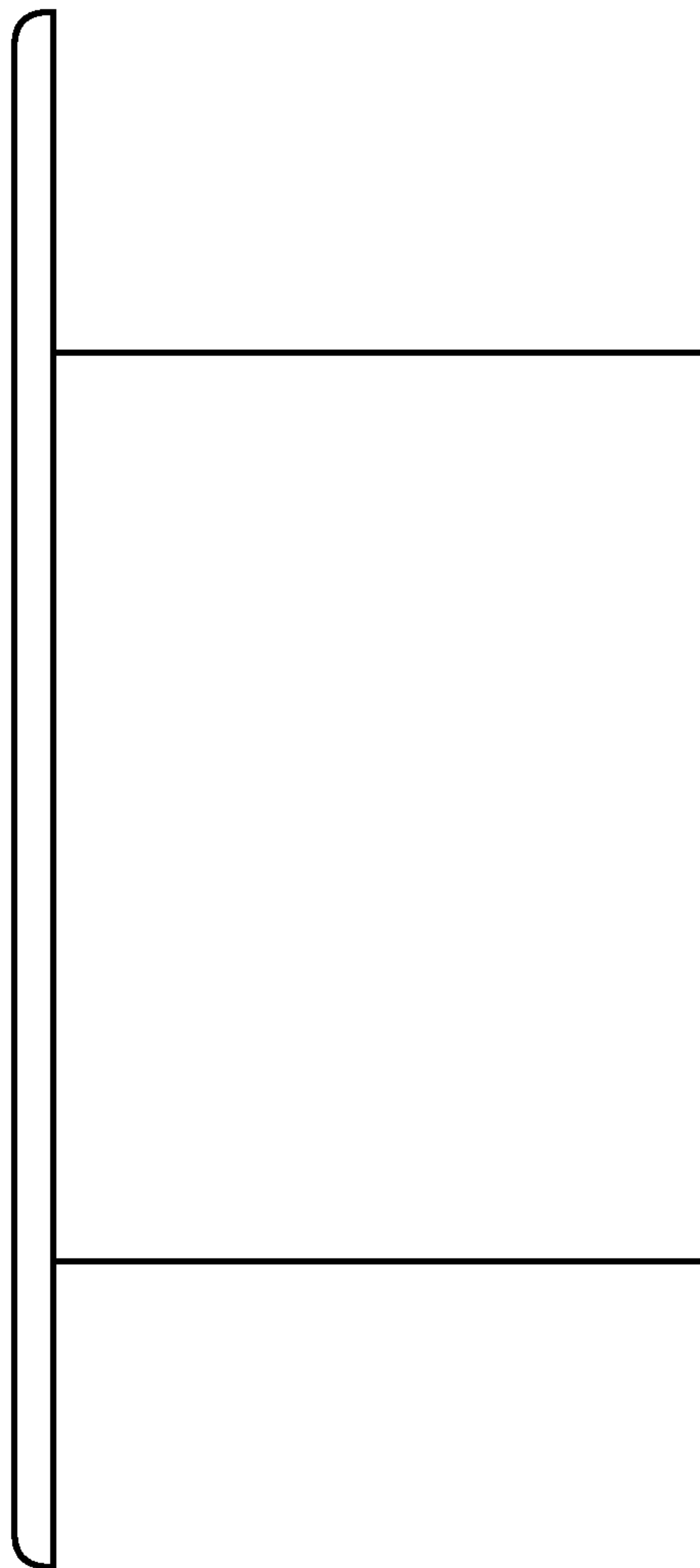


Fig. 4