



US00D582790S

(12) **United States Design Patent**
Friebe et al.

(10) **Patent No.:** **US D582,790 S**
(45) **Date of Patent:** **** Dec. 16, 2008**

(54) **FOIL PACKAGE**

(75) Inventors: **Joachim Friebe**, Heimertingen (DE);
Andreas Michalsky, Memmingen (DE);
Maurice Habram, Kempten (DE);
Agata Surdziel, Kempten (DE); **Peter Ganz**, Untrasried (DE)

(73) Assignee: **Huhtamaki Ronsberg**,
Zweigniederlassung der Huhtamaki
Deutschland GmbH & Co. KG (DE)

(**) Term: **14 Years**

(21) Appl. No.: **29/231,547**

(22) Filed: **Jun. 7, 2005**

(30) **Foreign Application Priority Data**

Apr. 19, 2005 (EP) 000330485

(51) **LOC (8) Cl.** **09-05**

(52) **U.S. Cl.** **D9/707**

(58) **Field of Classification Search** D9/702-703,
D9/711-713, 709, 442; 206/484; D24/207;
222/92; 220/495.03; 383/107-108, 120,
383/123, 104, 119, 92; 426/106; 428/35.2

See application file for complete search history.

(56) **References Cited**

U.S. PATENT DOCUMENTS

- 1,720,497 A 7/1929 Vierengel
- 2,771,010 A * 11/1956 Piazza D9/703
- 3,380,646 A 4/1968 Doyen et al.
- D236,438 S 8/1975 McKenzie
- 4,233,888 A 11/1980 LaFleur
- D319,780 S 9/1991 Laaki
- D354,906 S * 1/1995 Lane et al. D9/707

- D360,824 S 8/1995 Ossendryver
- D363,670 S * 10/1995 Sullivan D9/720
- D365,981 S * 1/1996 Sullivan D9/720
- D409,481 S * 5/1999 Smith et al. D9/697
- D418,747 S * 1/2000 Sagel D9/707
- D452,144 S * 12/2001 Tedeschi et al. D9/707
- 6,409,386 B1 6/2002 Trani et al.
- D470,755 S * 2/2003 Espinel et al. D9/707
- D470,757 S * 2/2003 Espinel et al. D9/707
- D476,225 S * 6/2003 De La Garza D9/707
- D489,606 S * 5/2004 Lofman D9/707
- D499,636 S 12/2004 Bennie et al.
- D510,277 S * 10/2005 Bennie et al. D9/707
- D541,171 S 4/2007 Delmotte et al.
- D550,565 S * 9/2007 Lee D9/643

* cited by examiner

Primary Examiner—Caron D. Veynar

Assistant Examiner—Abraham Bahta

(74) *Attorney, Agent, or Firm*—Knobbe Martens Olson & Bear LLP

(57) **CLAIM**

The ornamental design for a foil package, as shown and described.

DESCRIPTION

FIG. 1 is a front side perspective view of a foil package showing our new design;

FIG. 2 is a right side perspective view thereof;

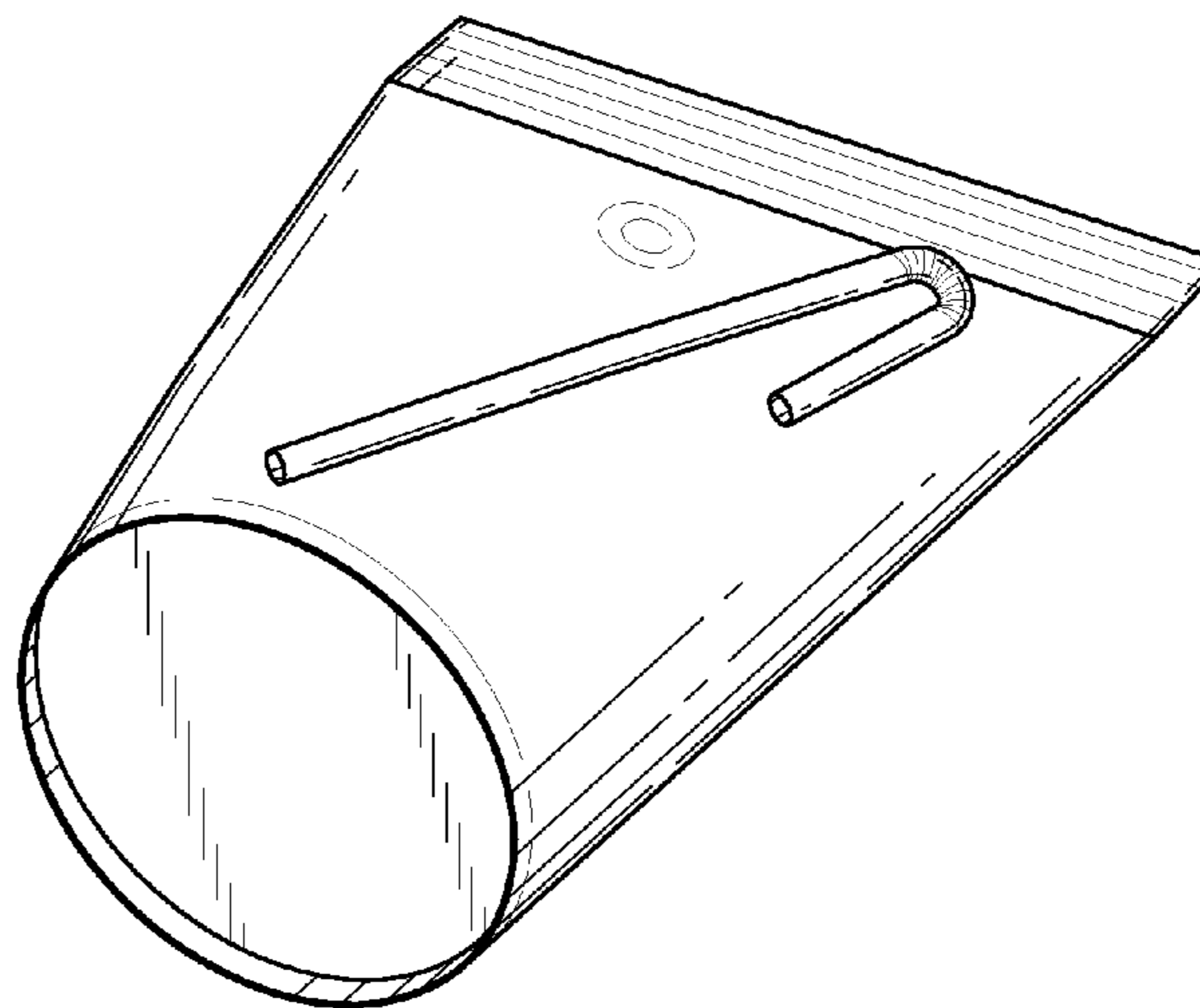
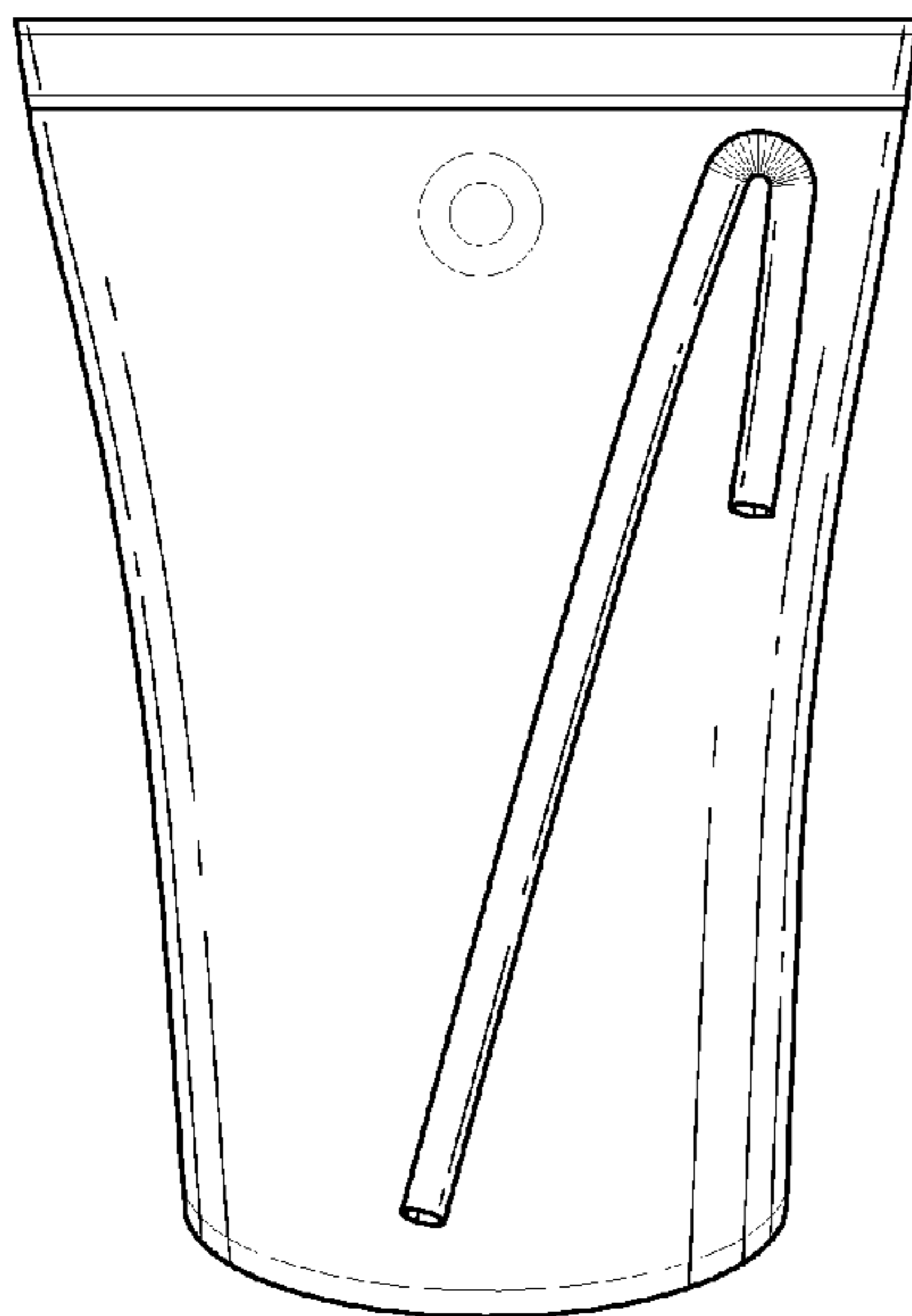
FIG. 3 is a bottom plan view thereof;

FIG. 4 is a front view thereof;

FIG. 5 is a perspective view thereof; and,

FIG. 6 is a top plan view thereof.

1 Claim, 3 Drawing Sheets



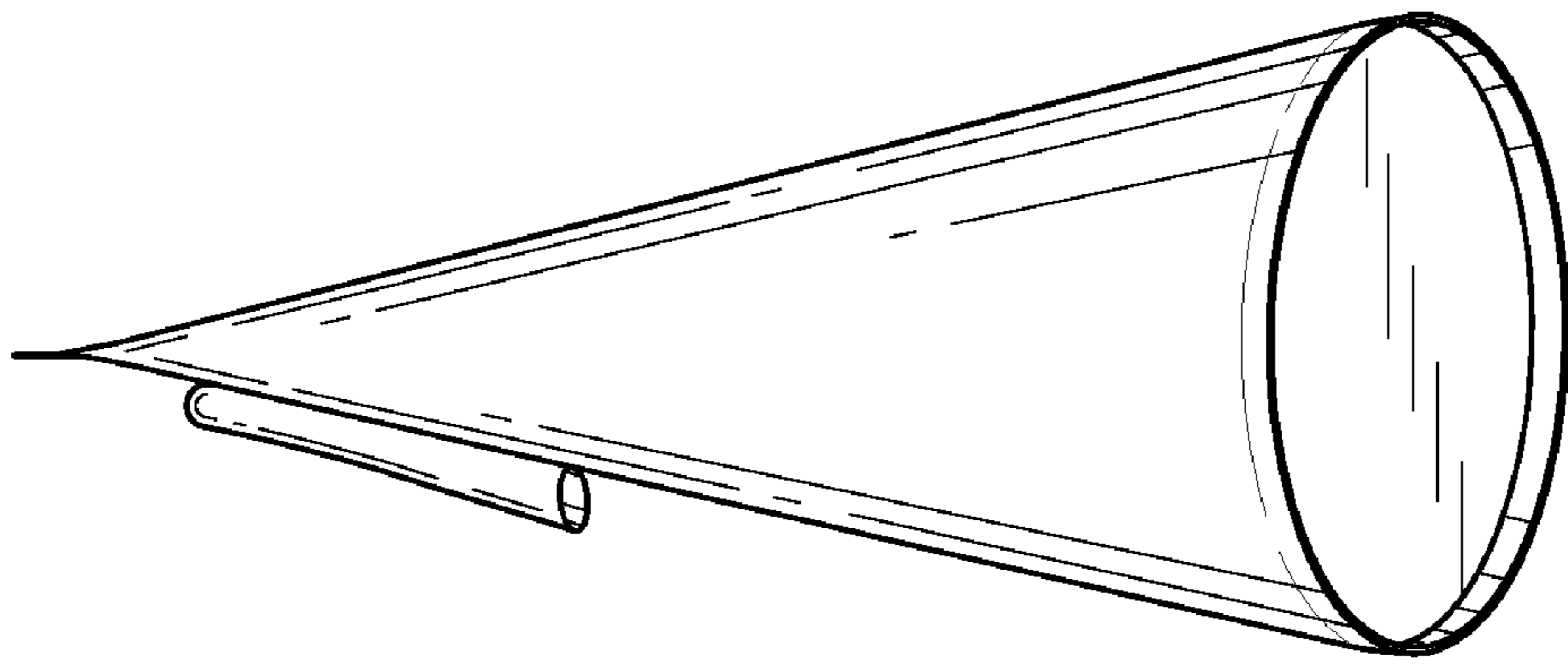


FIG. 2

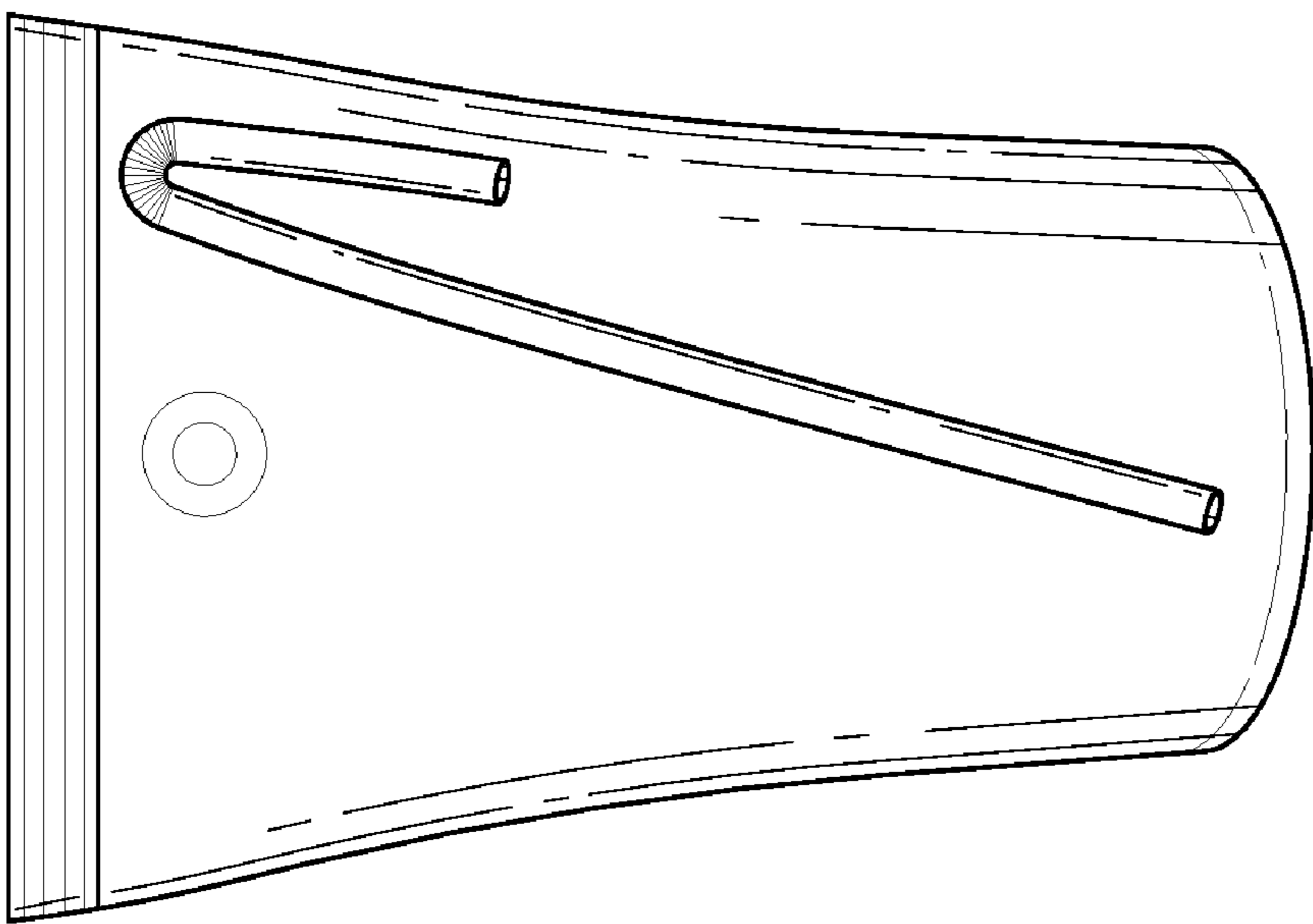


FIG. 1

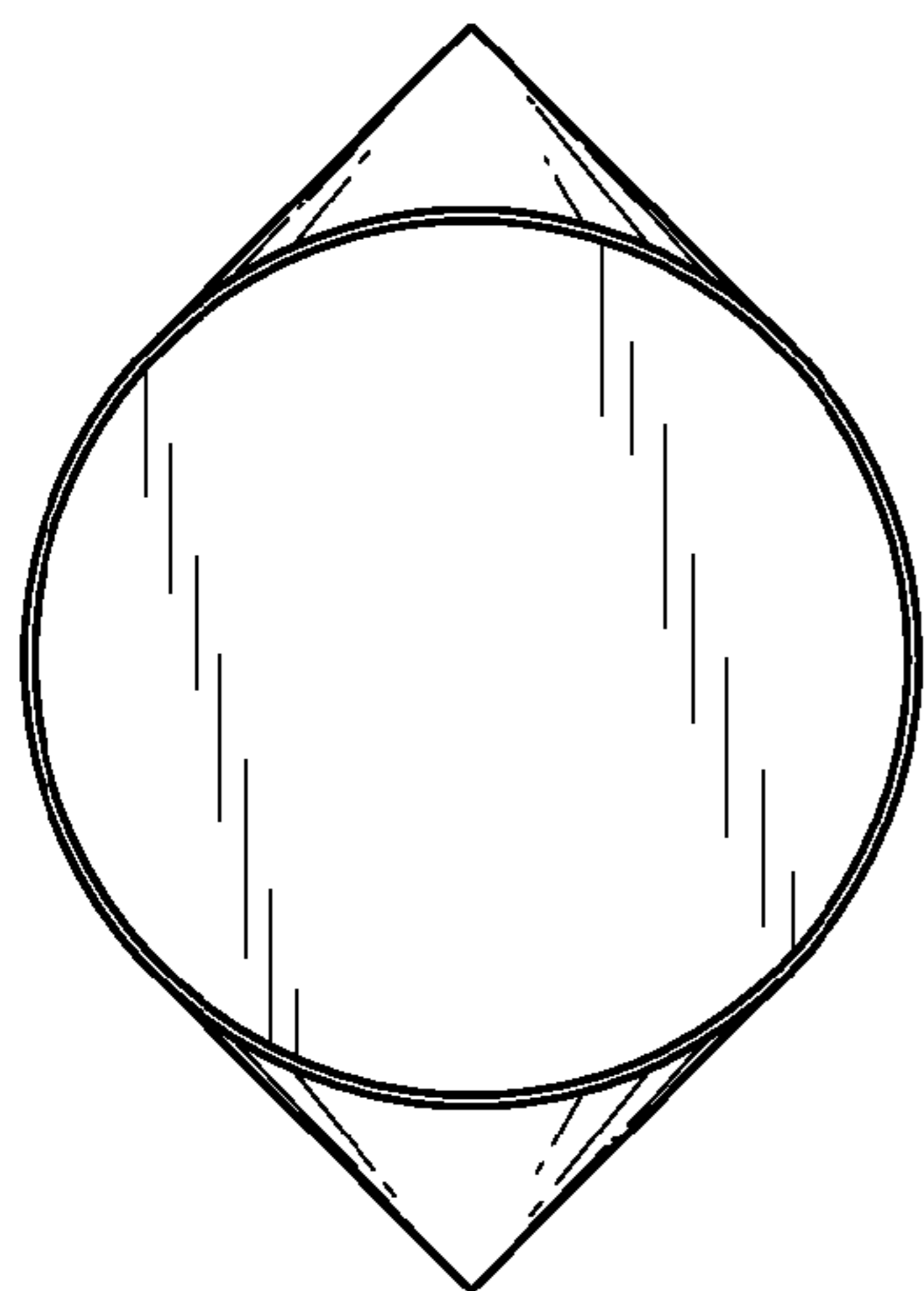


FIG. 3

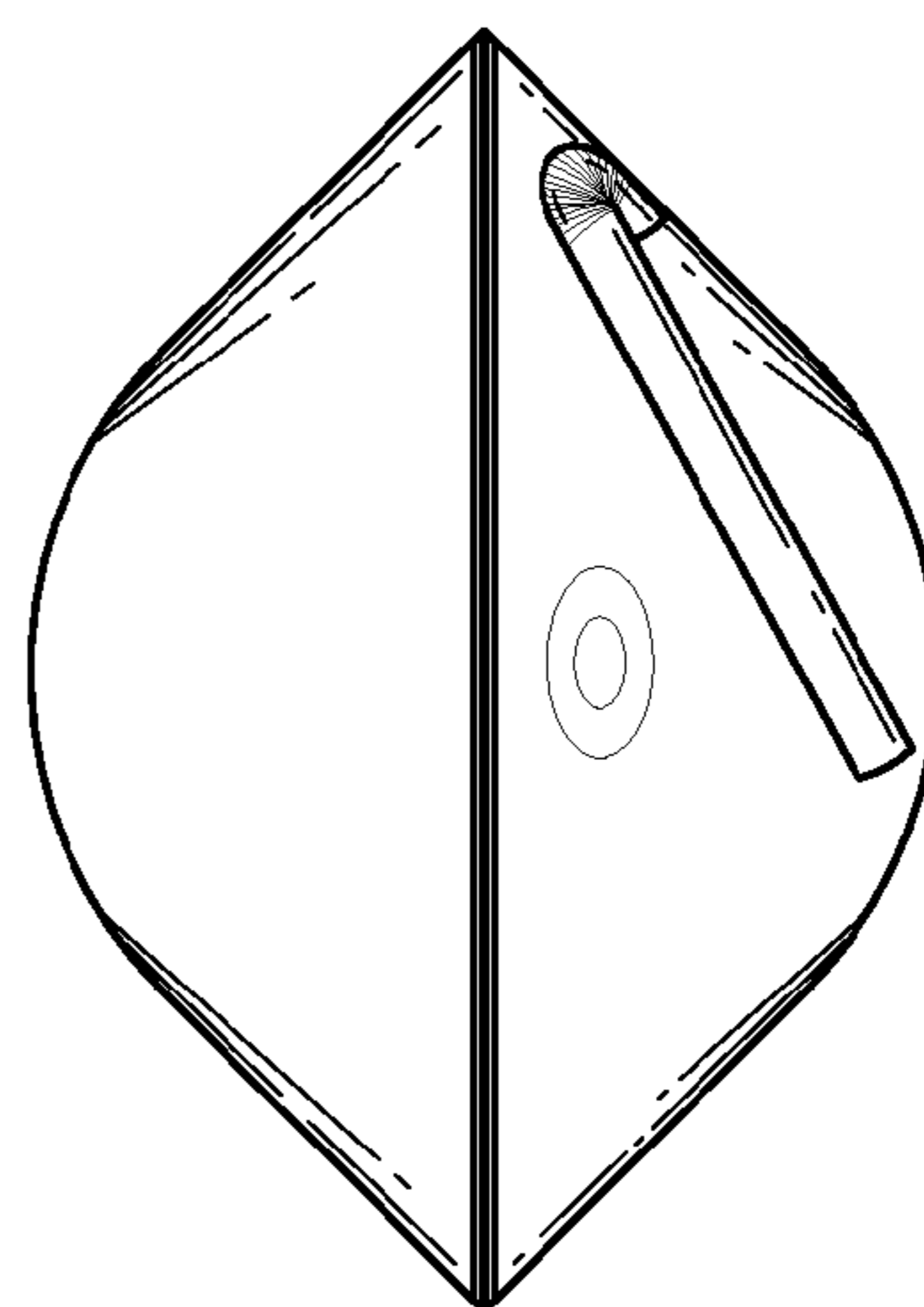


FIG. 6

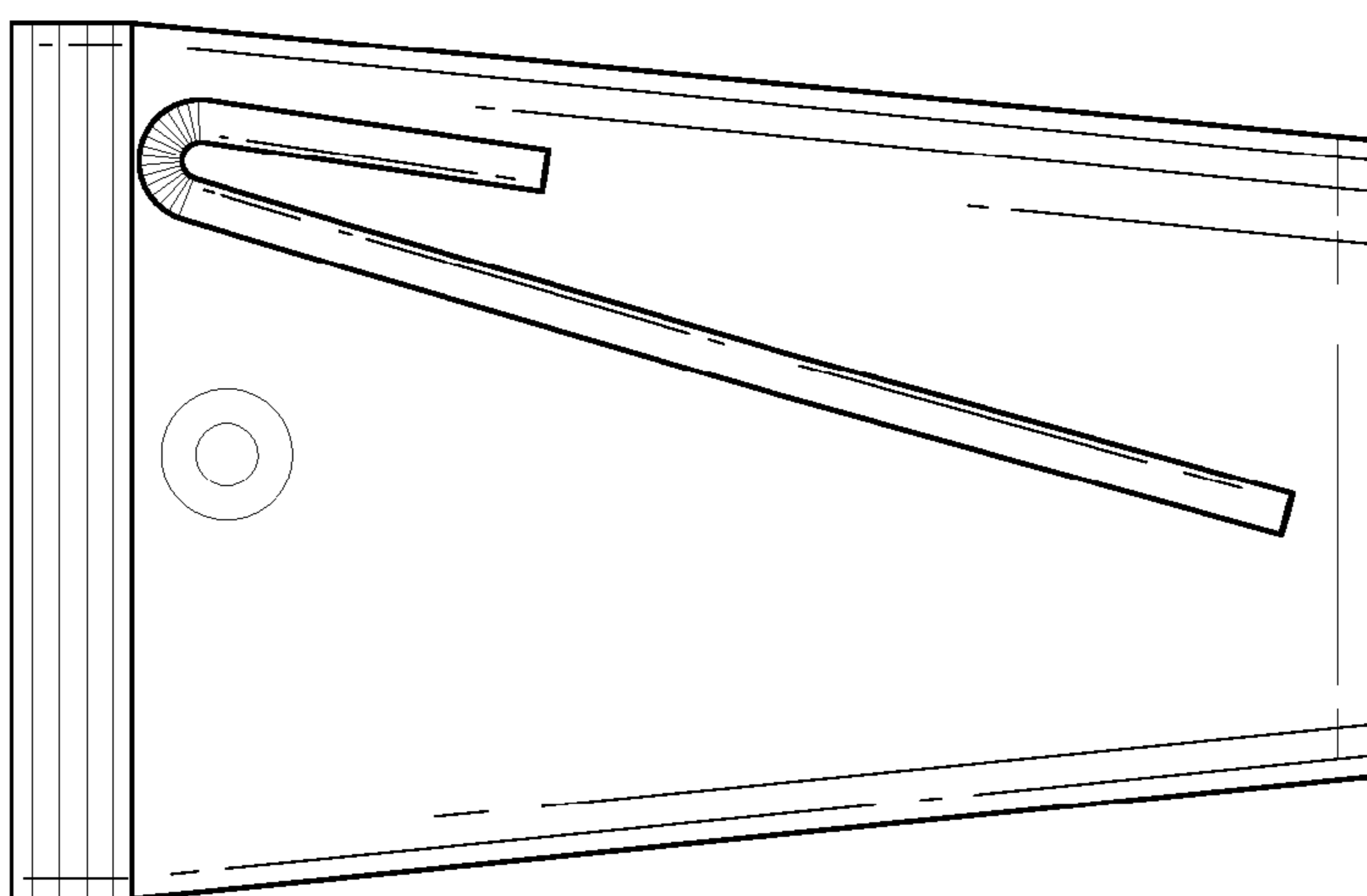


FIG. 4

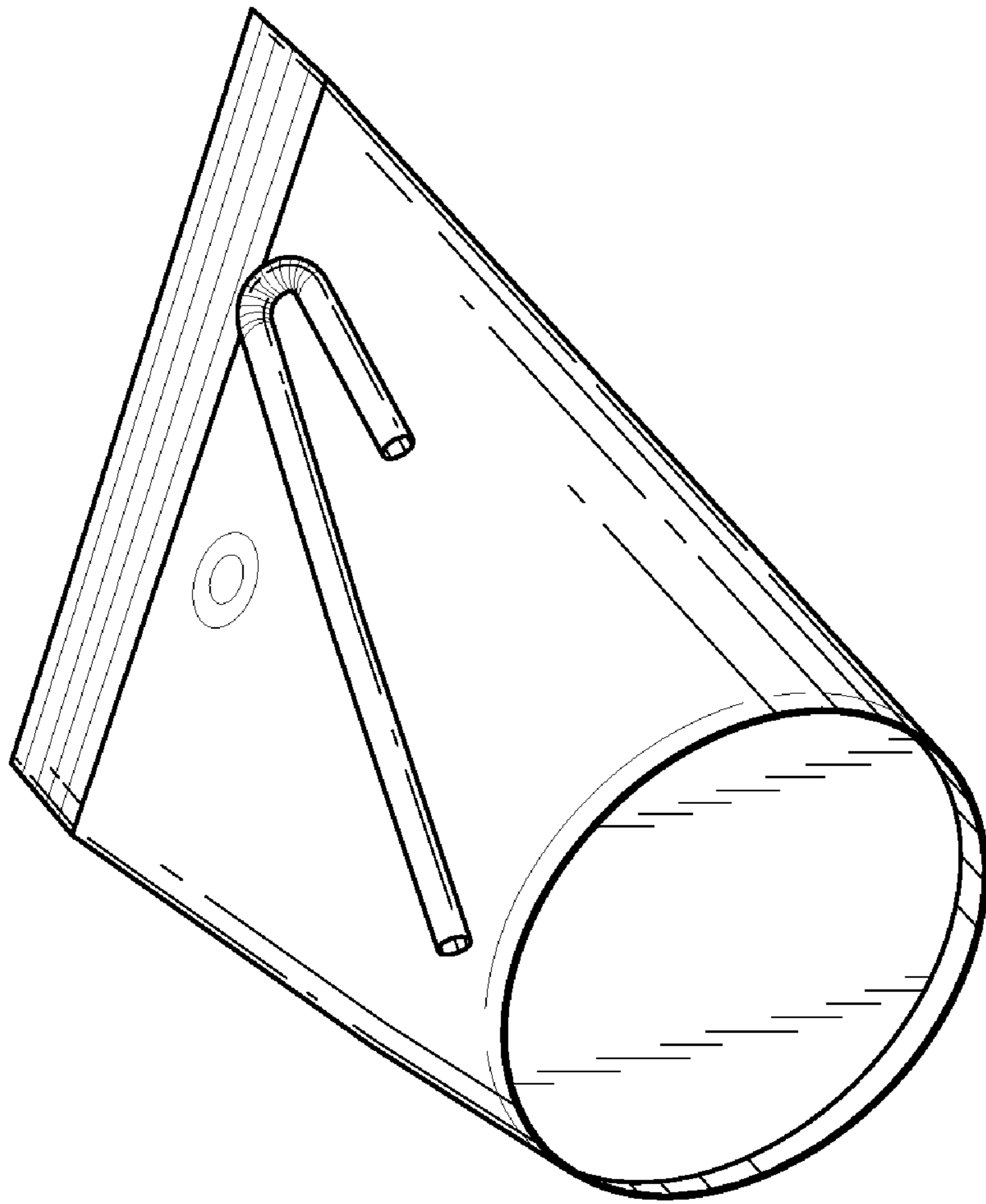


FIG. 5