



US00D582789S

(12) **United States Design Patent**
Blinderman et al.

(10) **Patent No.:** **US D582,789 S**

(45) **Date of Patent:** **** Dec. 16, 2008**

(54) **JEANS BAG**

(75) Inventors: **David Blinderman**, Shanghai (CN);
Aimee King, Shanghai (CN)

(73) Assignee: **American Greetings Corporation**,
Cleveland, OH (US)

(**) Term: **14 Years**

(21) Appl. No.: **29/289,357**

(22) Filed: **Jul. 17, 2007**

(51) **LOC (8) Cl.** **09-05**

(52) **U.S. Cl.** **D9/704**

(58) **Field of Classification Search** D9/702-704,
D9/631, 414; 2/69.5, 79, 213-214, 227,
2/247, 919; D3/201, 232, 234, 238, 240,
D3/246, 226, 303, 245; 150/100, 107; 383/6,
383/12, 120, 127; D2/712, 716, 742, 738,
D2/857; 229/923, 87.03, 87.18, 87.19
See application file for complete search history.

(56) **References Cited**

U.S. PATENT DOCUMENTS

3,866,647	A	*	2/1975	Tarkowski	150/104
D267,369	S	*	12/1982	Blanchard	D3/238
D316,328	S	*	4/1991	Willoughby	D3/238
D335,026	S	*	4/1993	Cape	D3/238
D344,655	S	*	3/1994	Alexander	D6/601

D370,121	S	*	5/1996	Chabot	D3/238
D494,853	S	*	8/2004	Chan	D9/704
D497,541	S	*	10/2004	Clark	D9/703
D531,794	S	*	11/2006	Clanton	D3/238
D534,709	S	*	1/2007	Dipietro	D2/742
D539,532	S	*	4/2007	Bagley, Jr.	D3/238

* cited by examiner

Primary Examiner—Caron Veynar

Assistant Examiner—Abraham Bahta

(74) *Attorney, Agent, or Firm*—Roetzel & Andress

(57) **CLAIM**

The ornamental design for a jeans bag, as shown and described.

DESCRIPTION

FIG. 1 is a perspective view of the jeans bag showing our new design;

FIG. 2 is a front elevation view thereof;

FIG. 3 is a back elevation view thereof;

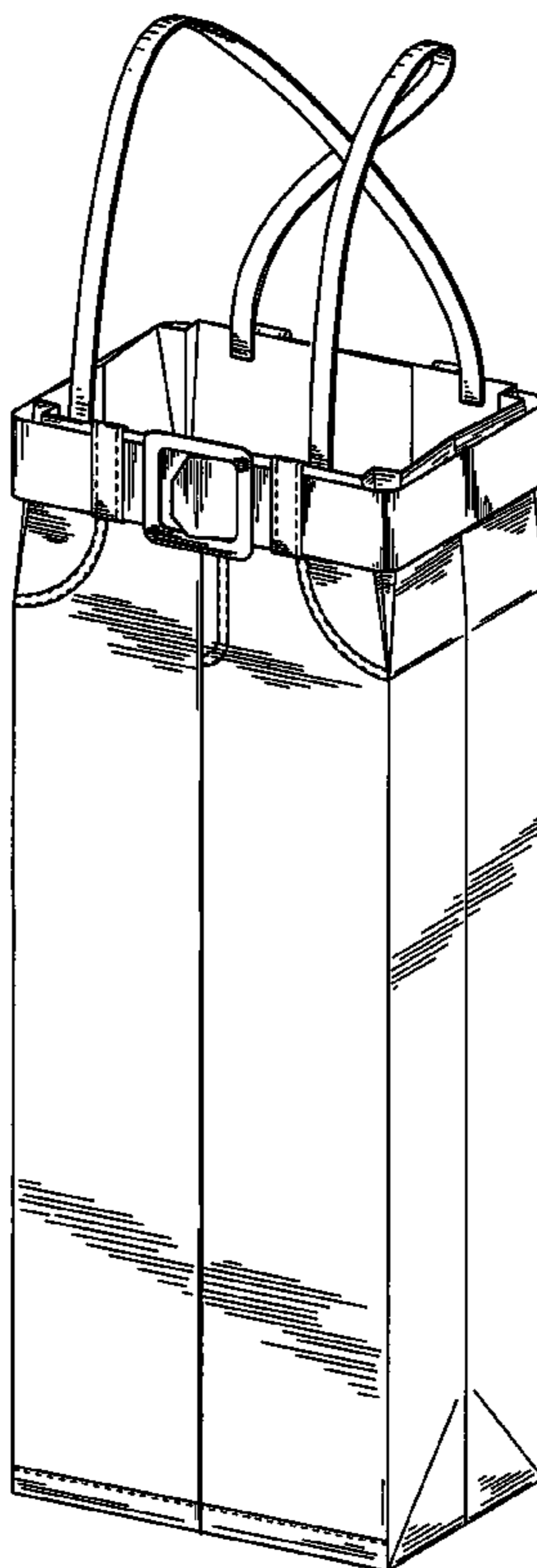
FIG. 4 is a right side elevation view, which is identical to the left side elevation view thereof;

FIG. 5 is a top plan view thereof; and,

FIG. 6 is a bottom plan view thereof.

The broken lines shown in the drawings represent stitching.

1 Claim, 3 Drawing Sheets



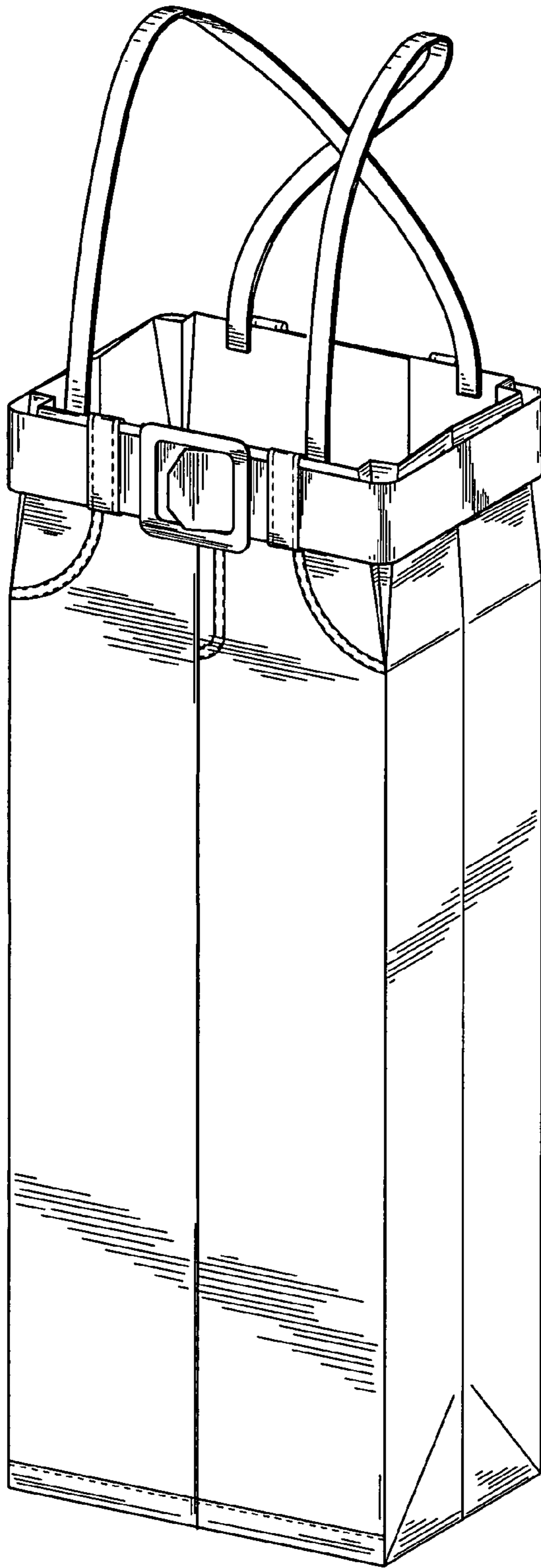


Fig. 1

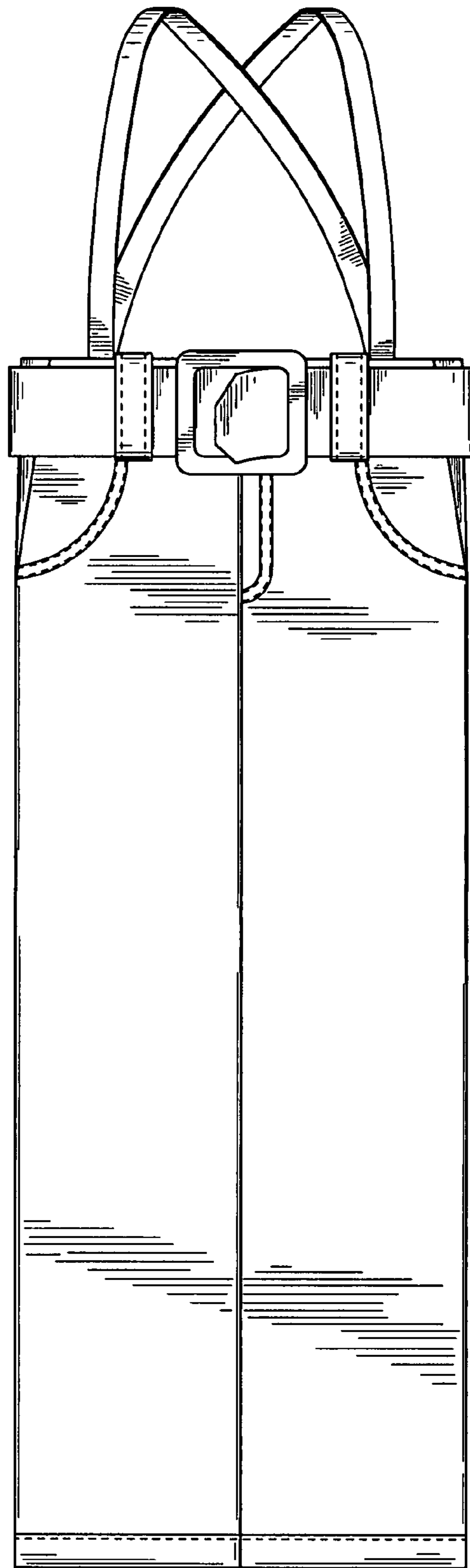


Fig. 2

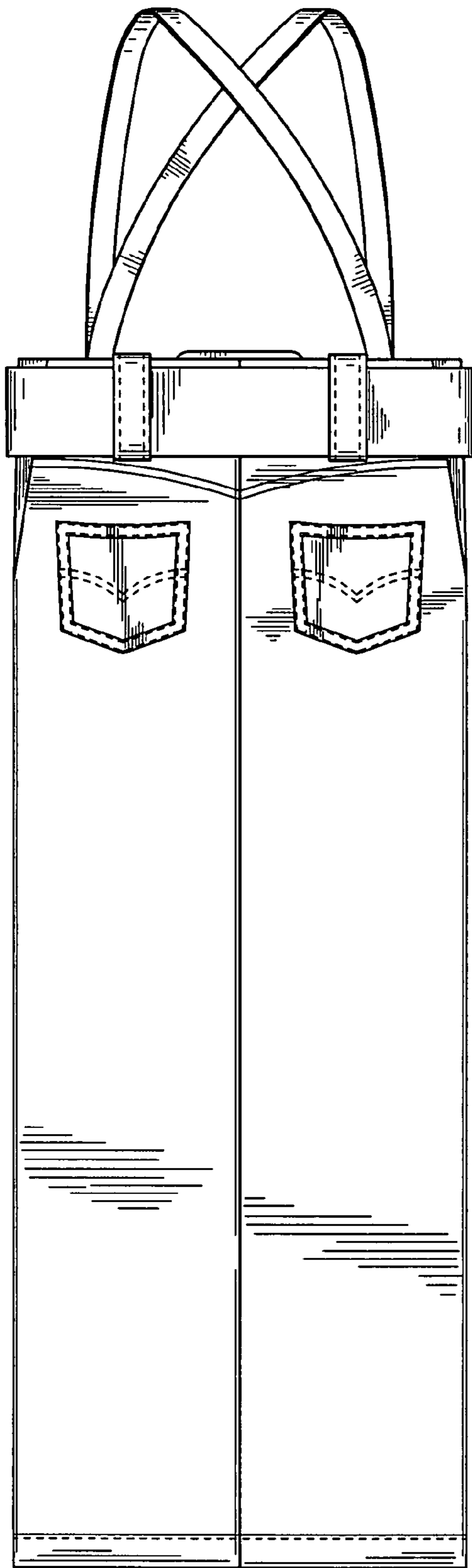


Fig. 3

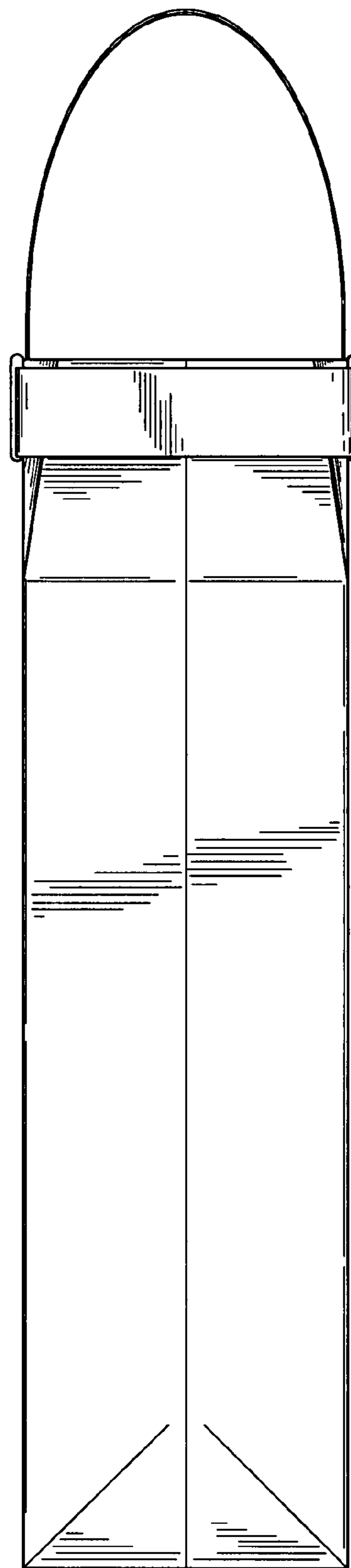


Fig. 4

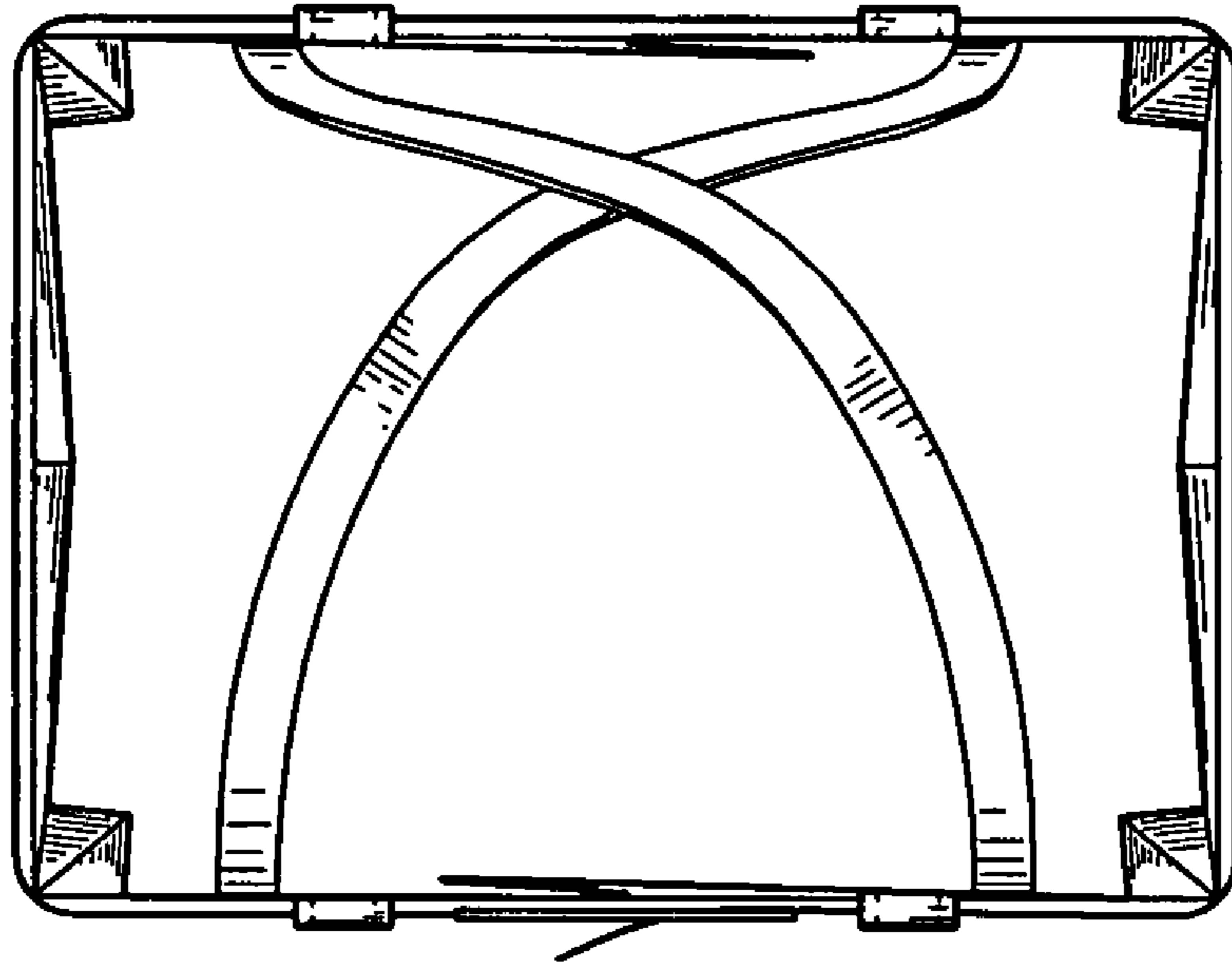


Fig. 5

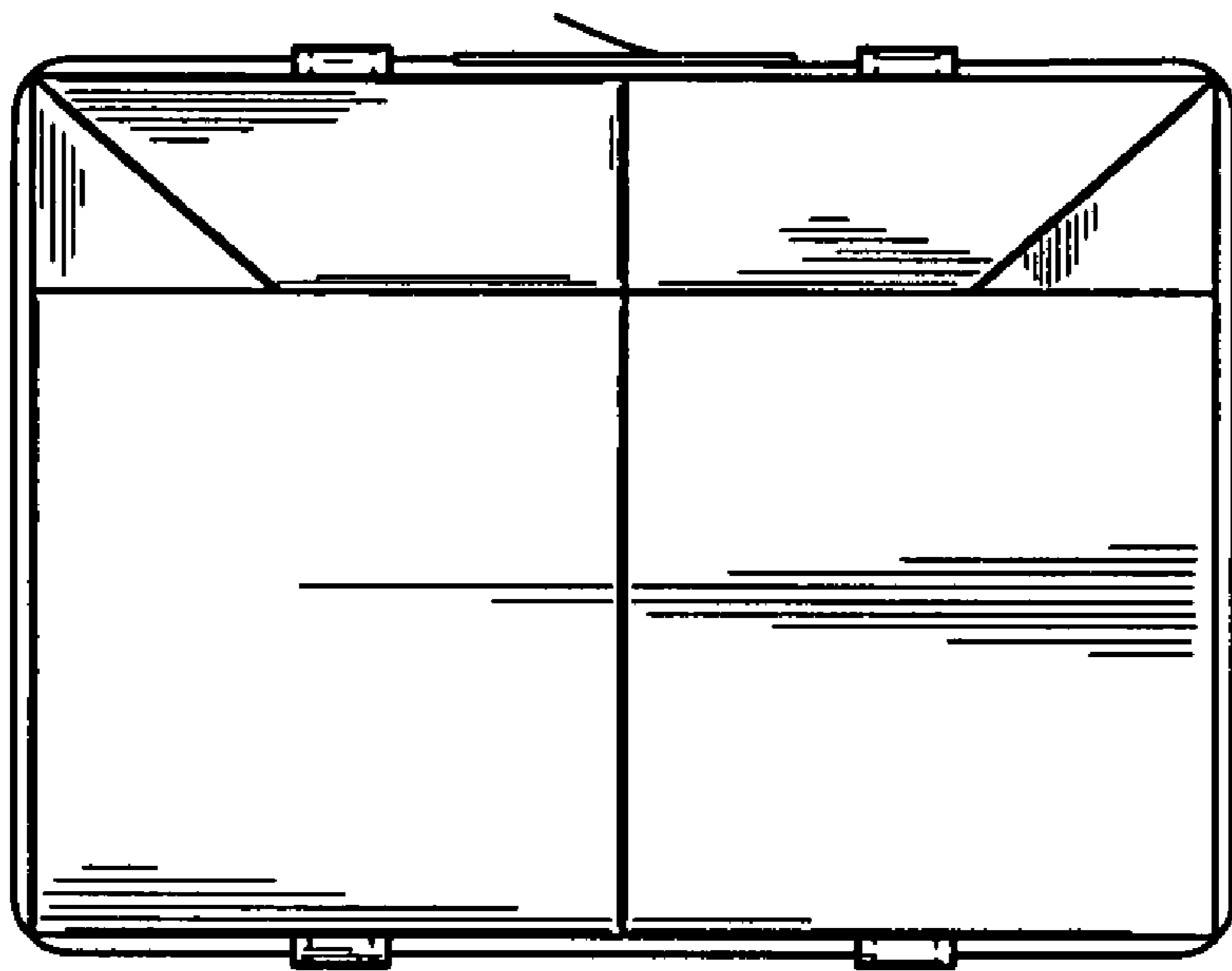


Fig. 6