



US00D582788S

(12) **United States Design Patent**  
**Smith**

(10) **Patent No.:** **US D582,788 S**

(45) **Date of Patent:** **\*\* Dec. 16, 2008**

(54) **CONTAINER**

(75) Inventor: **Walter Alexander Smith**, Noordhoek  
(ZA)

(73) Assignee: **Safite Cape (Proprietary) Limited**,  
Diep River (ZA)

(\*\*) Term: **14 Years**

(21) Appl. No.: **29/282,553**

(22) Filed: **Jul. 24, 2007**

(30) **Foreign Application Priority Data**

Jun. 3, 2007 (ZA) ..... A2007/00320

(51) **LOC (8) Cl.** ..... **09-05**

(52) **U.S. Cl.** ..... **D9/704**

(58) **Field of Classification Search** ..... D9/702-708,  
D9/429-432, 447, 720; 383/80, 42, 906,  
383/901, 903, 93, 120-122, 103, 96; D7/213,  
D7/601-602; 222/92; 215/316; 493/52  
See application file for complete search history.

(56) **References Cited**

**U.S. PATENT DOCUMENTS**

D213,479 S *	3/1969	Williams	.....	D24/118
D278,974 S *	5/1985	Ray	.....	D9/704
D300,004 S *	2/1989	Korey	.....	D9/704
D304,546 S *	11/1989	Cattach	.....	D9/708
5,307,955 A *	5/1994	Viegas	.....	222/107
D465,726 S *	11/2002	Tet	.....	D9/708
D470,758 S *	2/2003	Bakersmith	.....	D9/708
D478,504 S *	8/2003	Crozet et al.	.....	D9/708
D505,540 S *	5/2005	Lien	.....	D3/202
D512,648 S *	12/2005	Smith et al.	.....	D9/702
D512,651 S *	12/2005	Stefandl	.....	D9/707

D558,596 S *	1/2008	Berman	.....	D9/708
D558,601 S *	1/2008	Berman	.....	D9/709

\* cited by examiner

*Primary Examiner*—Caron Veynar

*Assistant Examiner*—Abraham Bahta

(74) *Attorney, Agent, or Firm*—Wood, Herron & Evans, LLP

(57) **CLAIM**

The ornamental design for a container, as shown and described.

**DESCRIPTION**

FIG. 1 is a perspective view of a container according to a first embodiment of this invention;

FIG. 2 is a top plan view of the container of FIG. 1;

FIG. 3 is a bottom plan view thereof;

FIG. 4 is a front view thereof;

FIG. 5 is a rear view thereof;

FIG. 6 is a side view thereof;

FIG. 7 is an opposite side view thereof;

FIG. 8 is a perspective view of a container according to a second embodiment of this invention;

FIG. 9 is a top plan view of the container of FIG. 8;

FIG. 10 is a bottom plan view thereof;

FIG. 11 is a front view thereof;

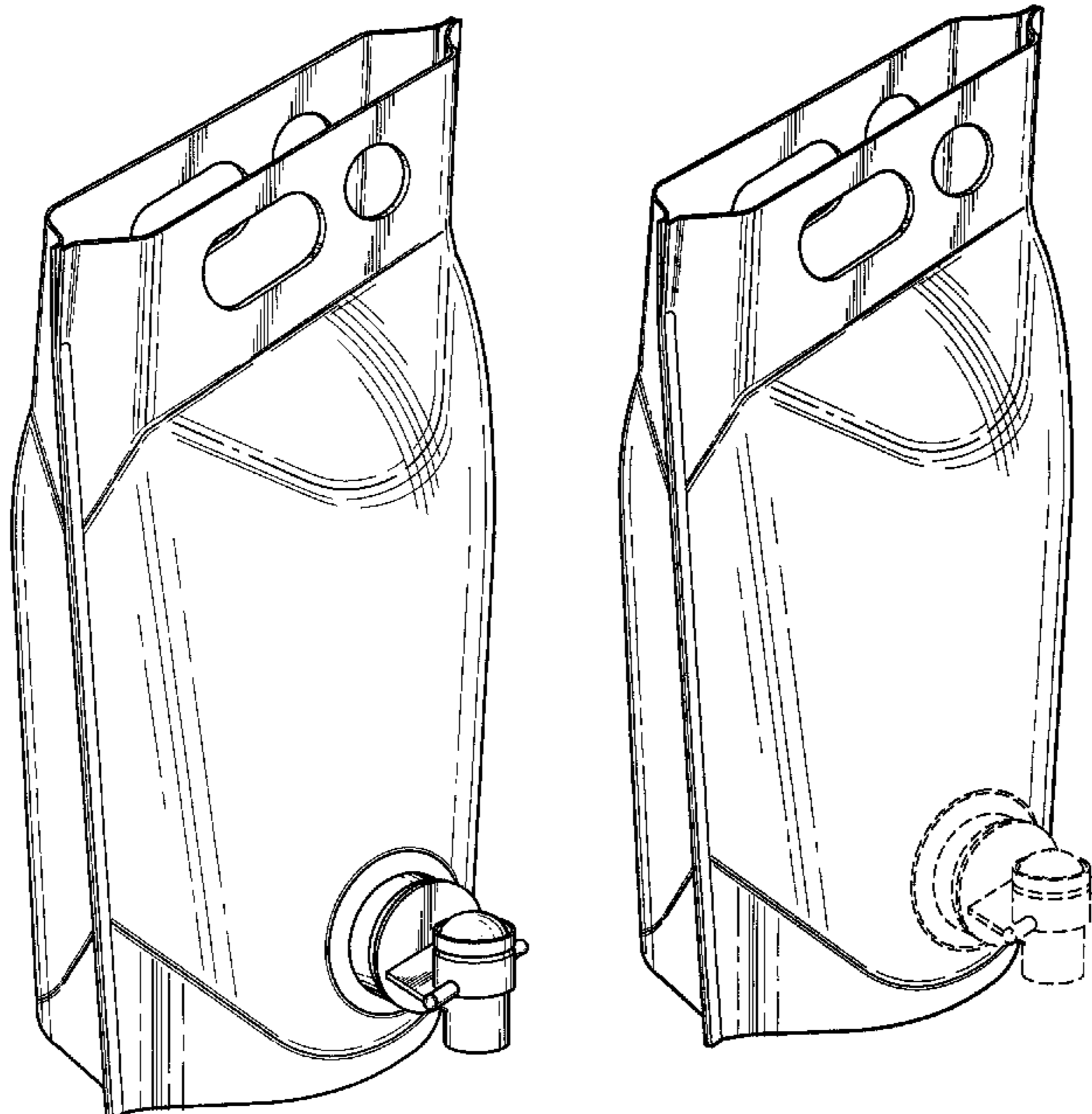
FIG. 12 is a rear view thereof;

FIG. 13 is a side view thereof; and,

FIG. 14 is an opposite side view thereof.

The broken lines shown in the drawing are for illustrative purposes only and form no part of the claimed design.

**1 Claim, 14 Drawing Sheets**



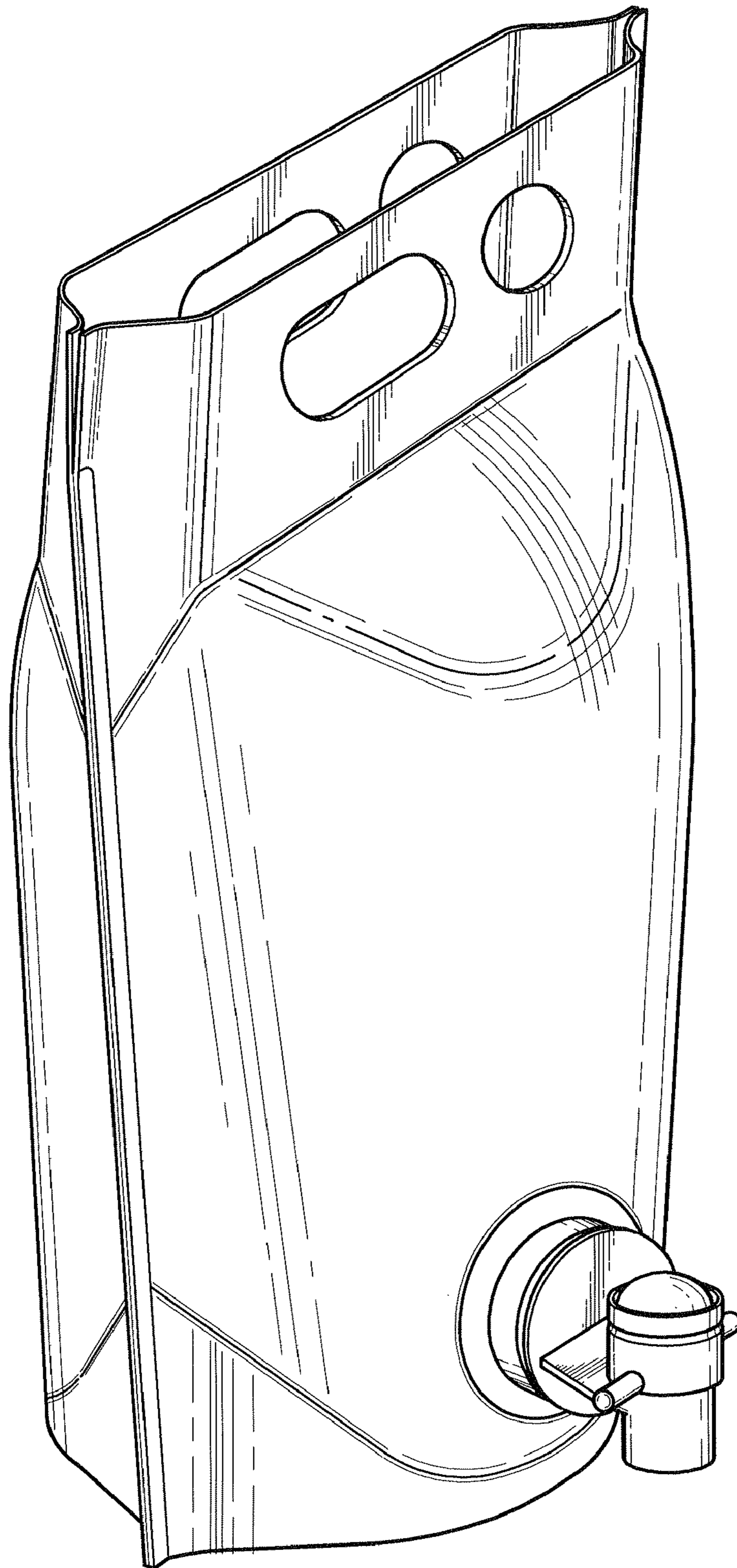


FIG 1

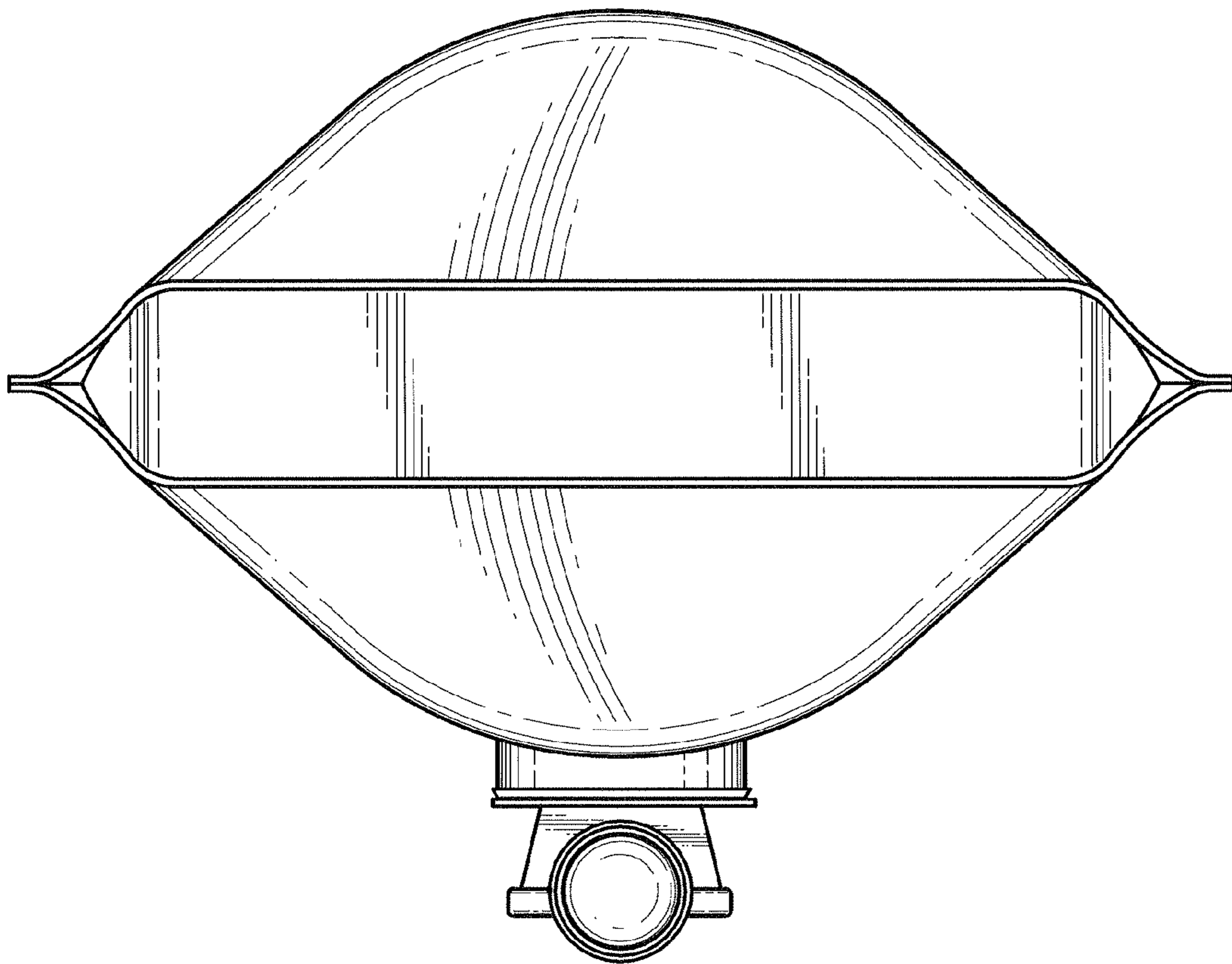


FIG 2

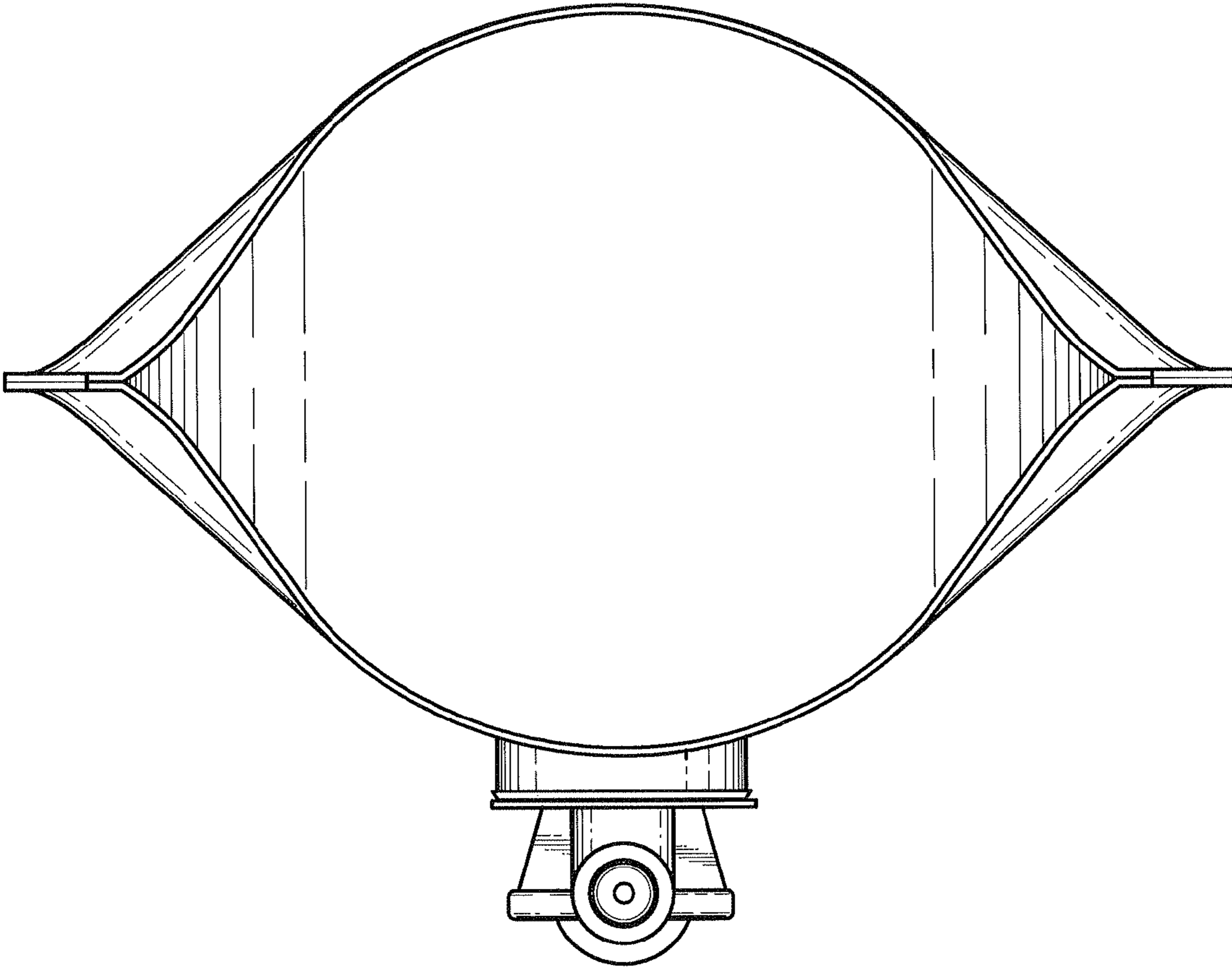


FIG 3

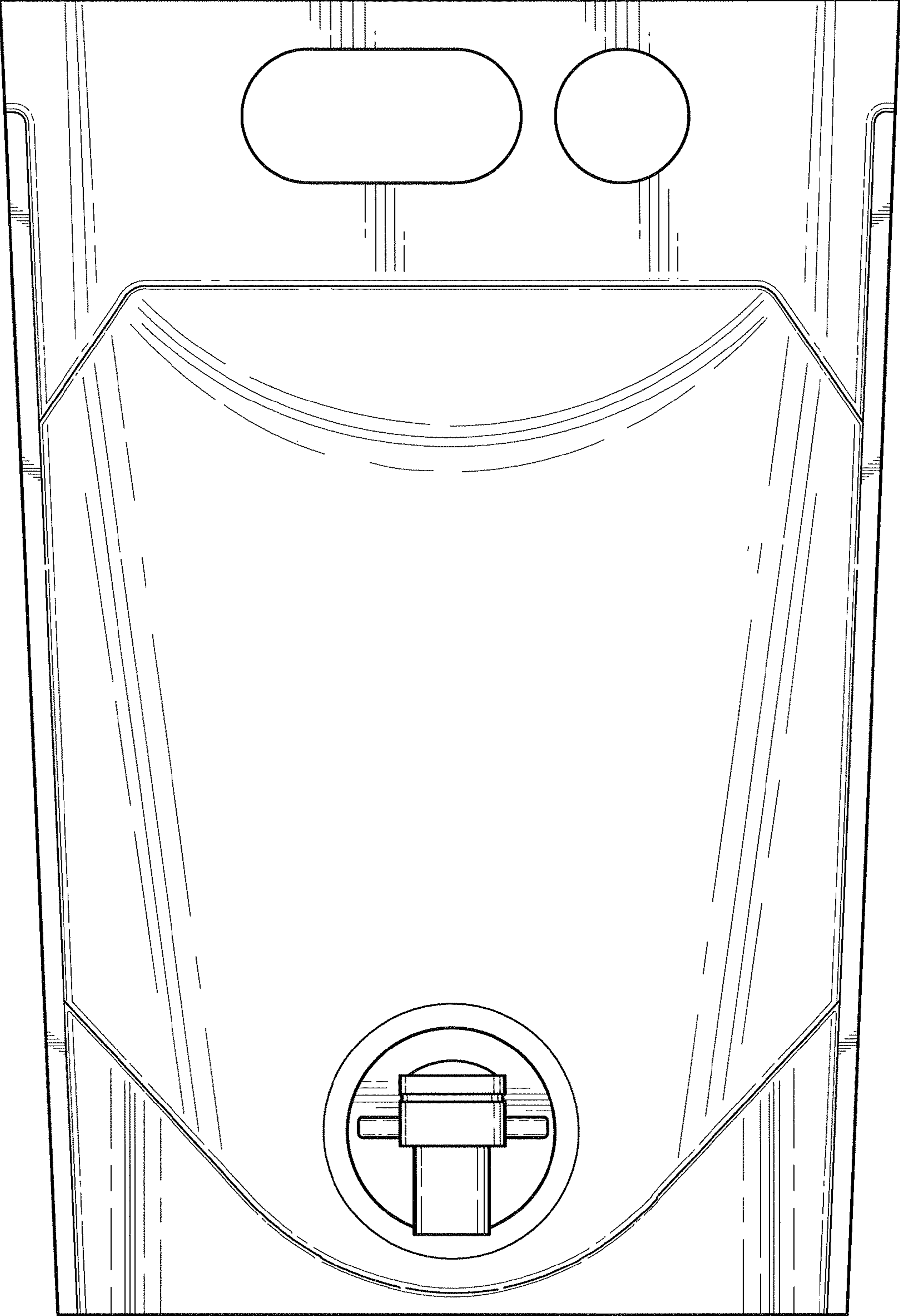


FIG 4

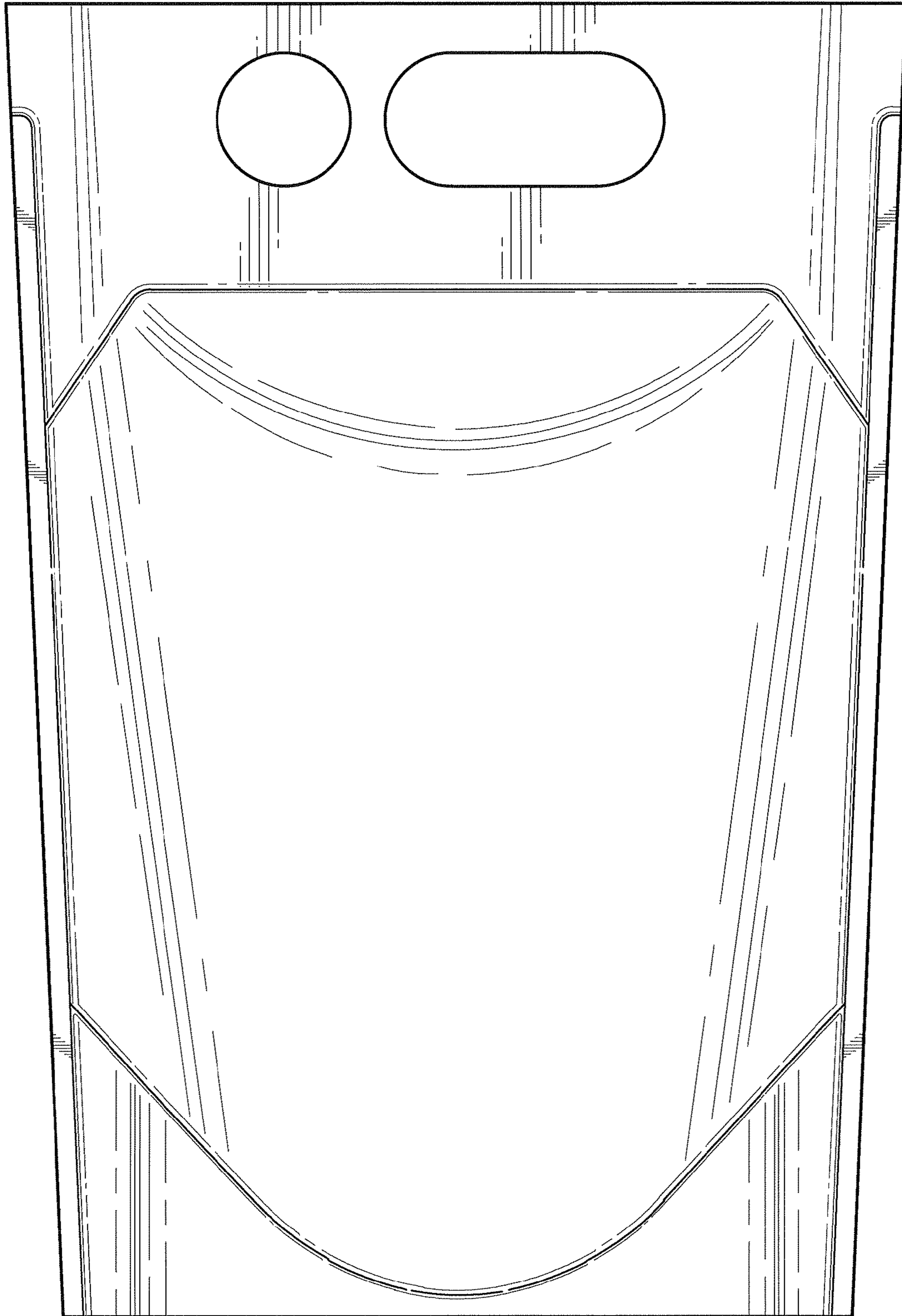


FIG 5

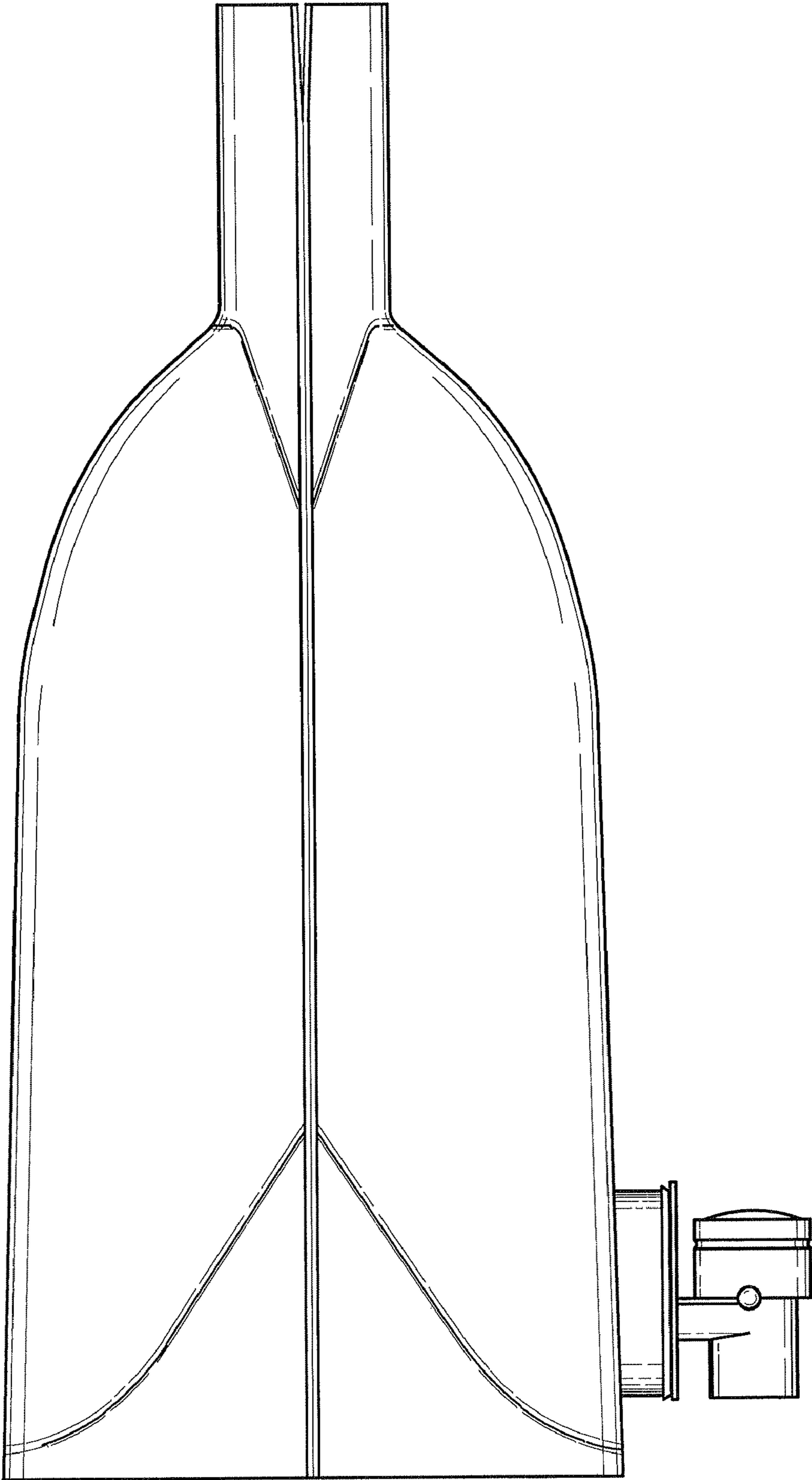


FIG 6

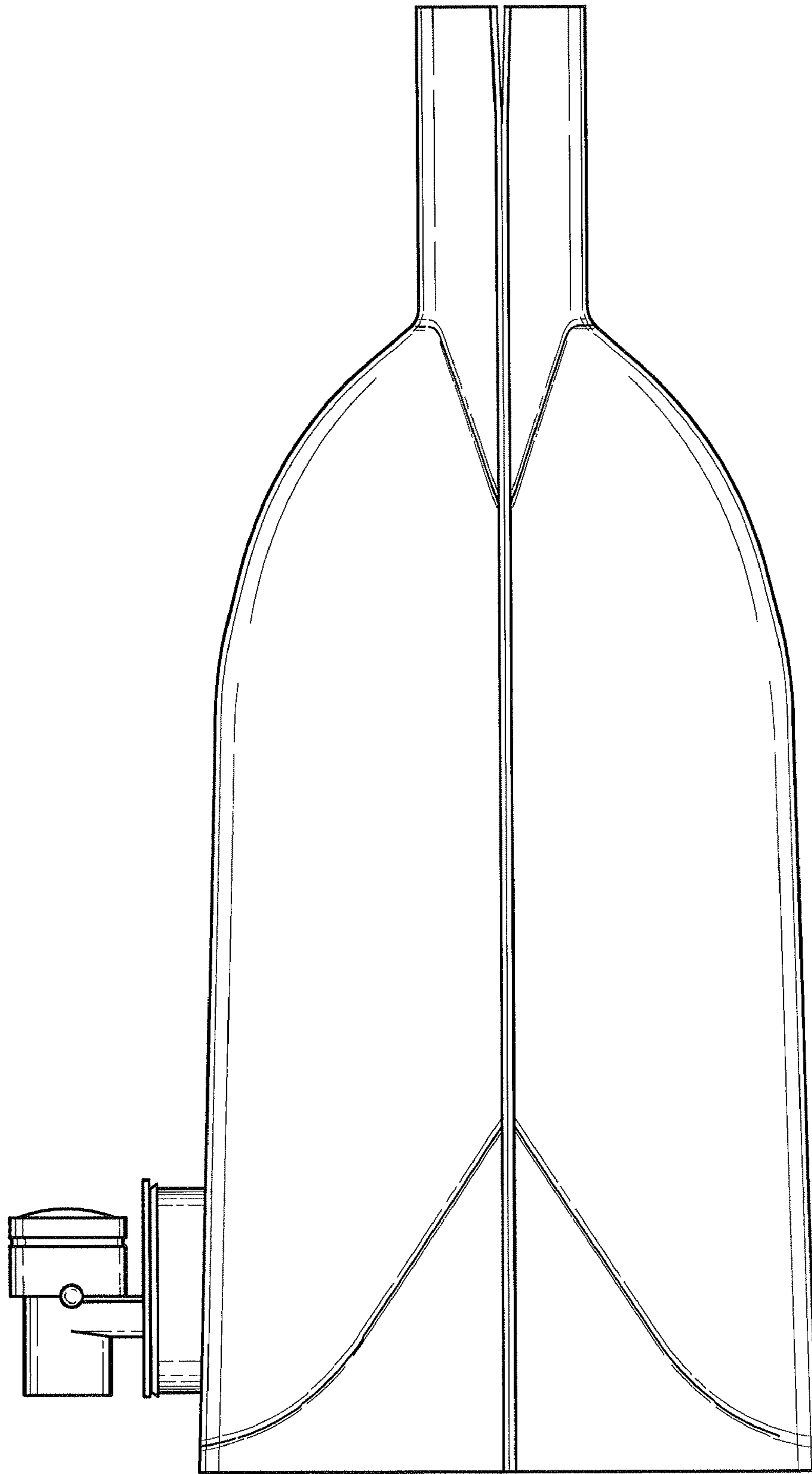


FIG 7



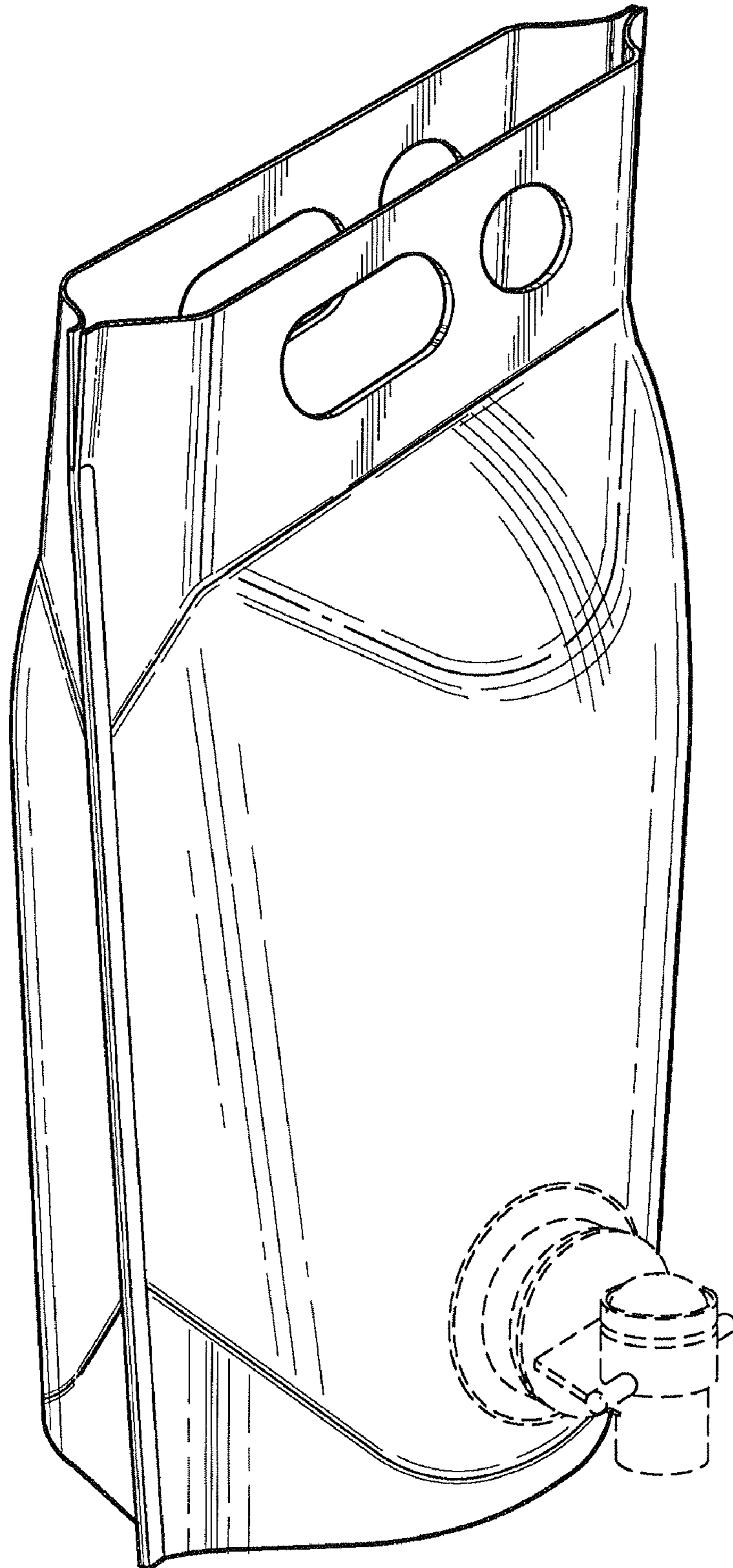


FIG. 8

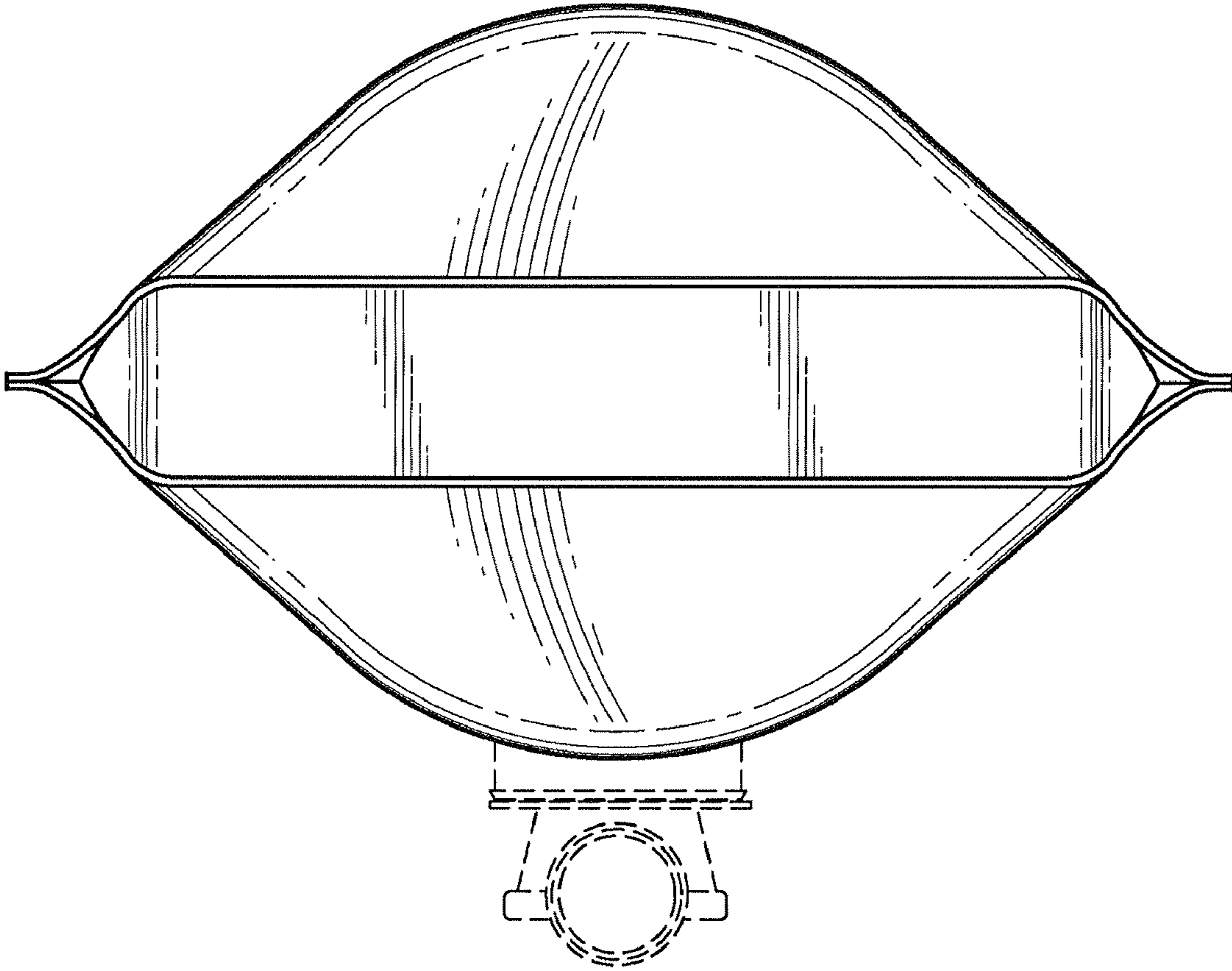


FIG. 9

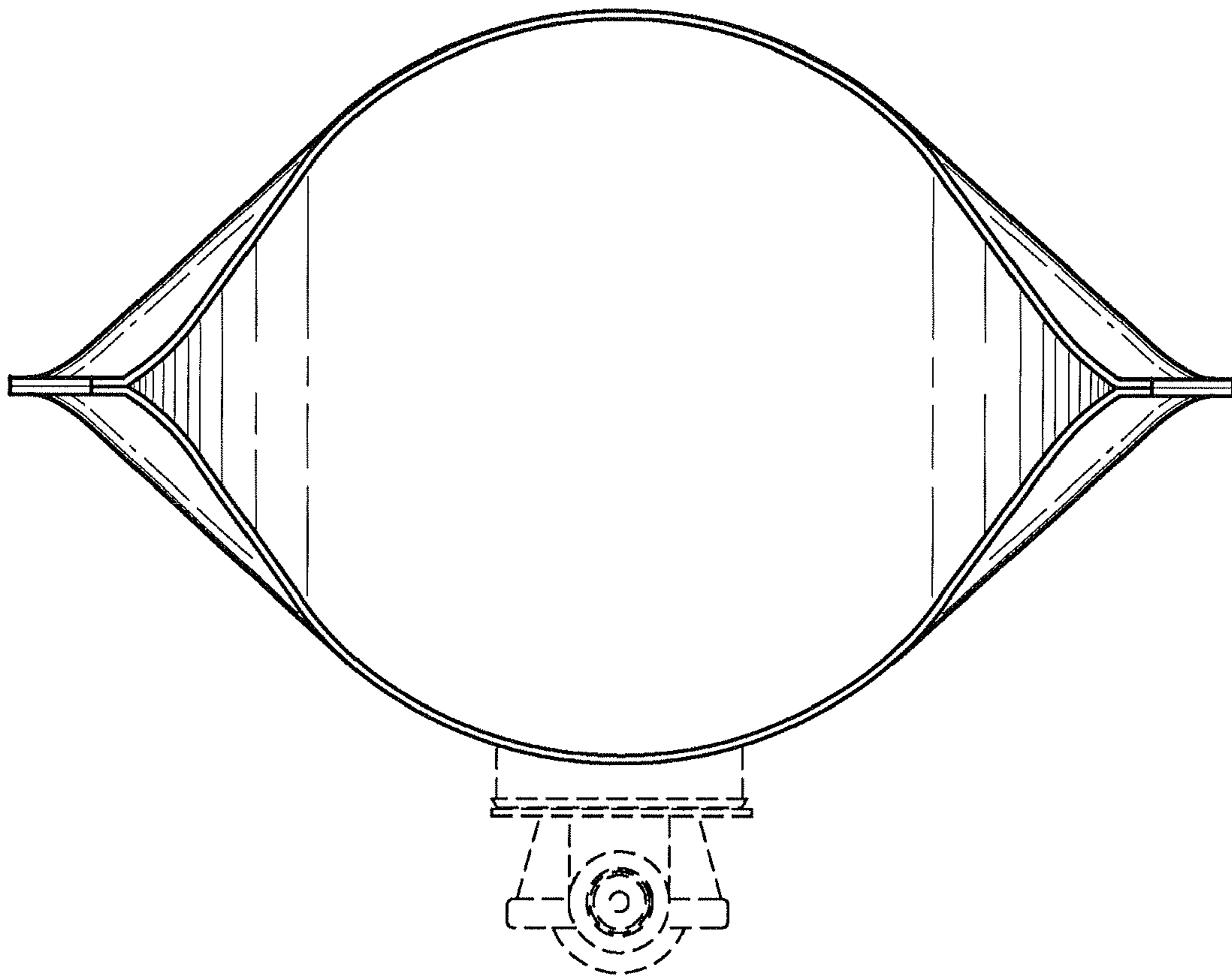


FIG. 10

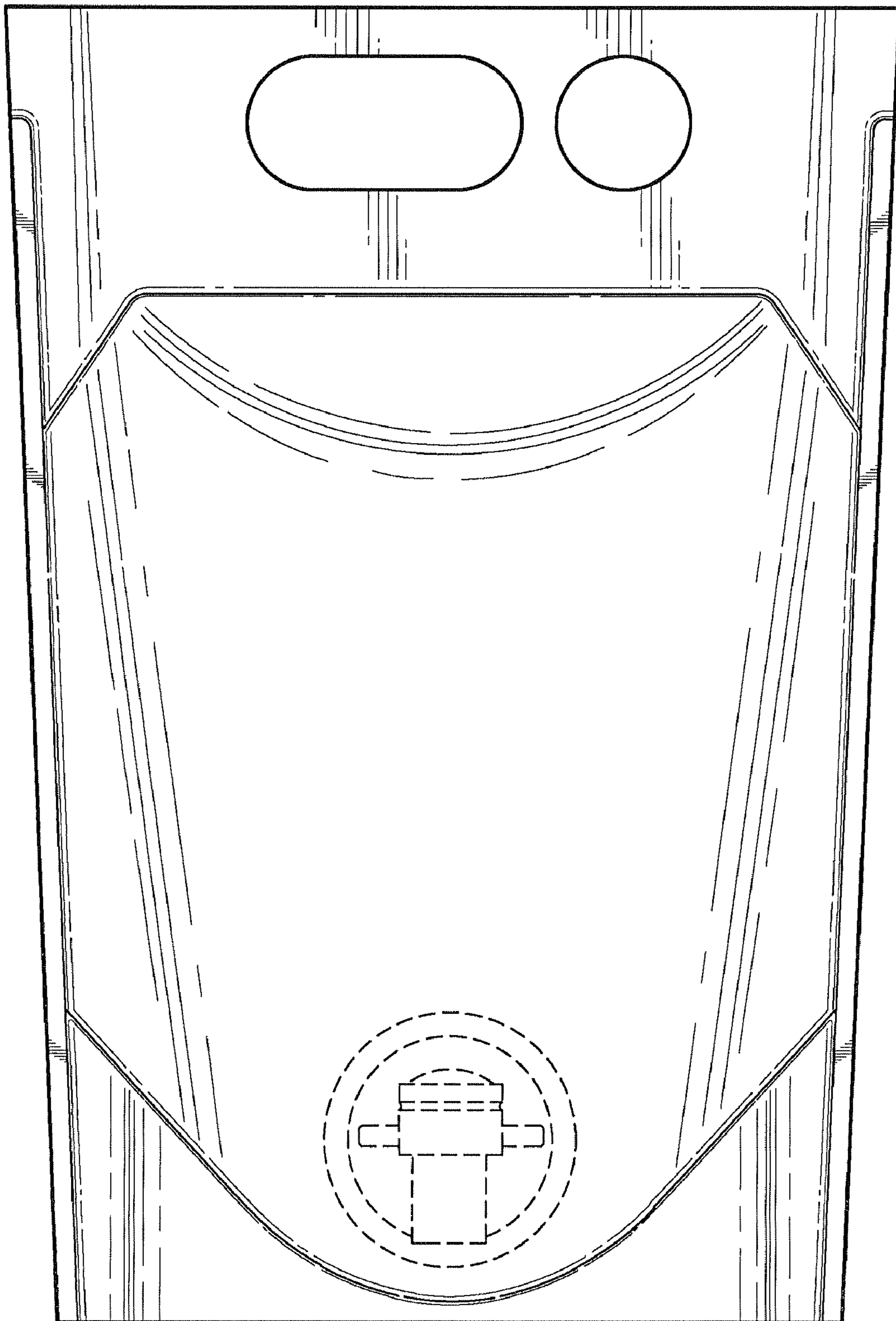


FIG. 11

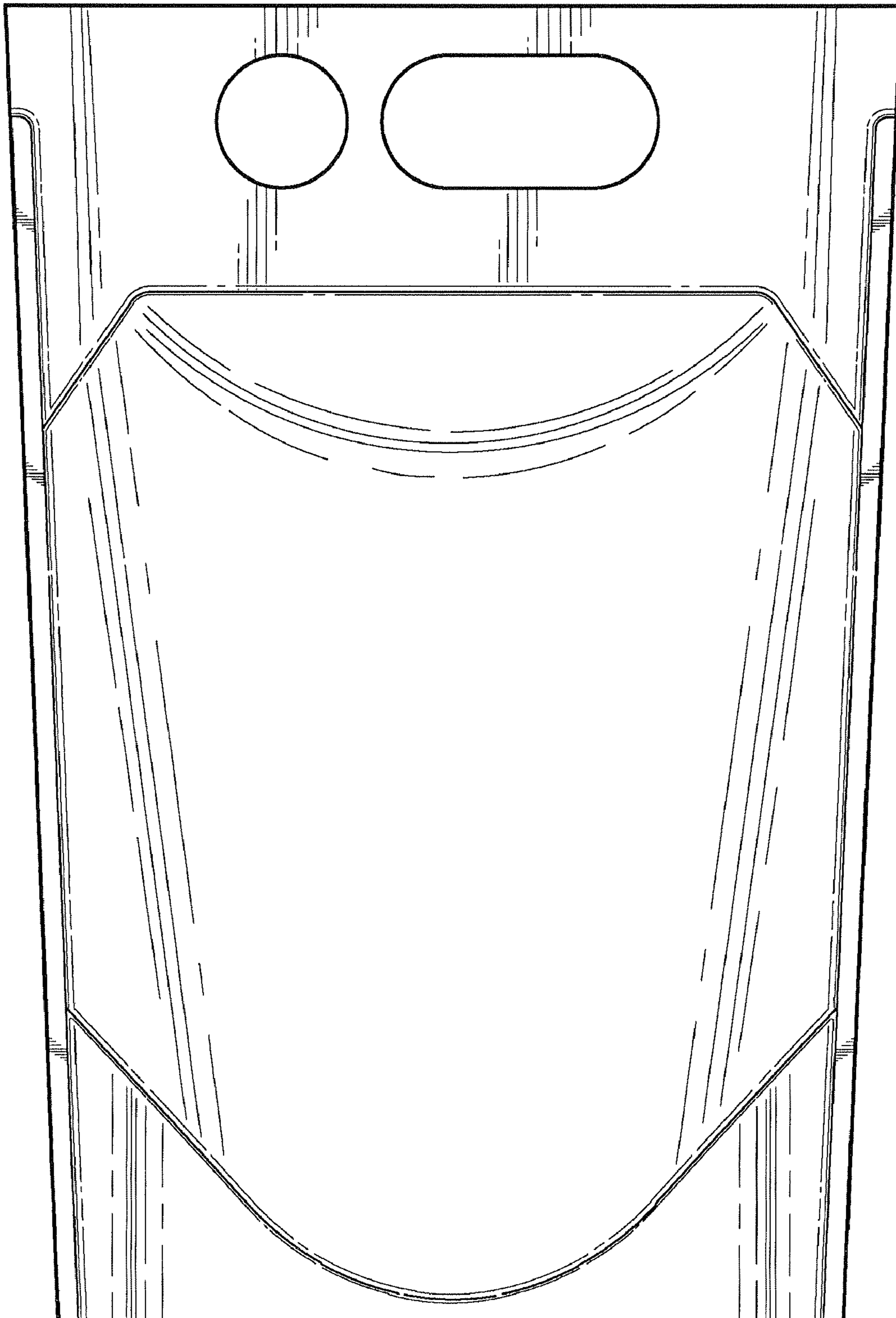


FIG. 12

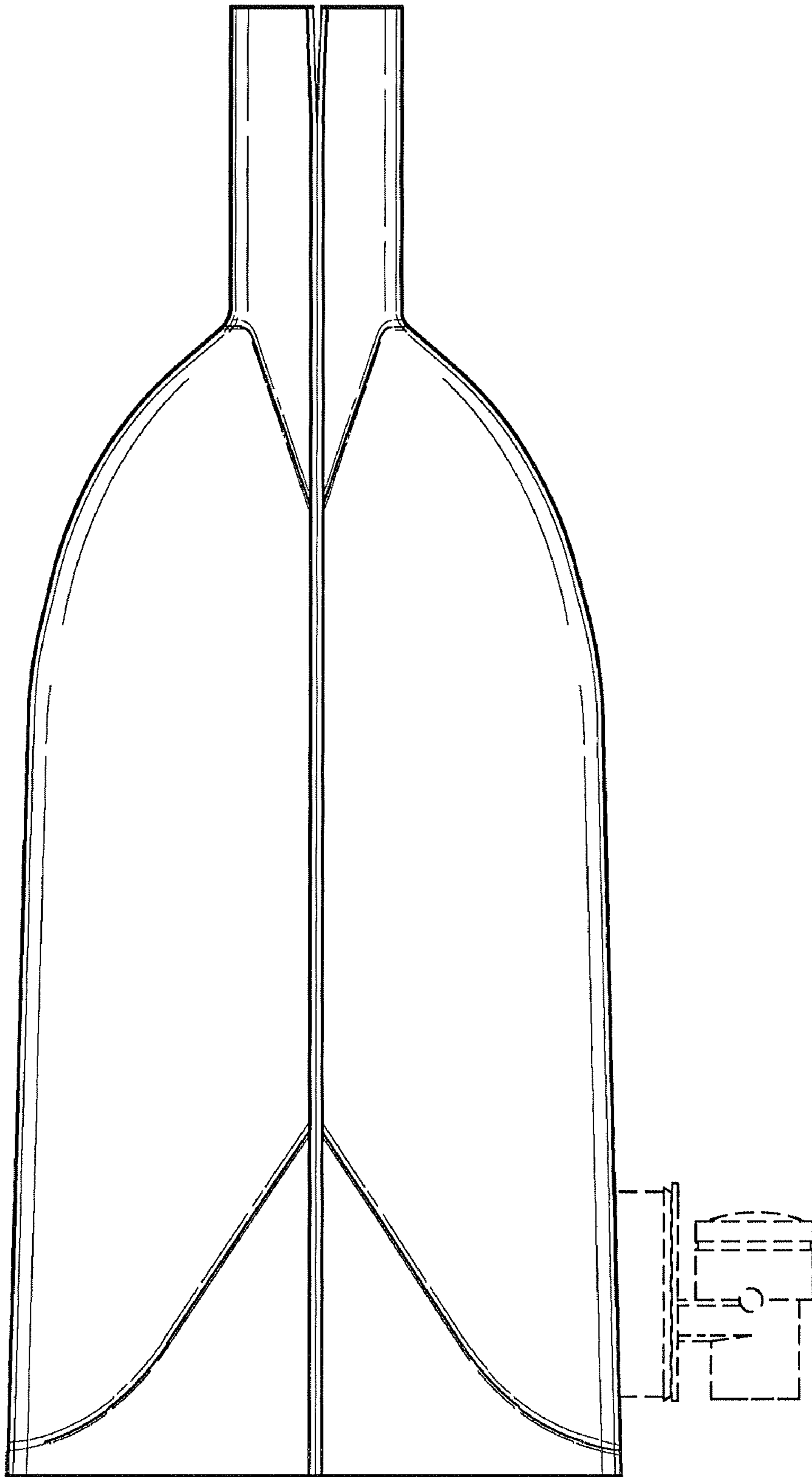


FIG. 13

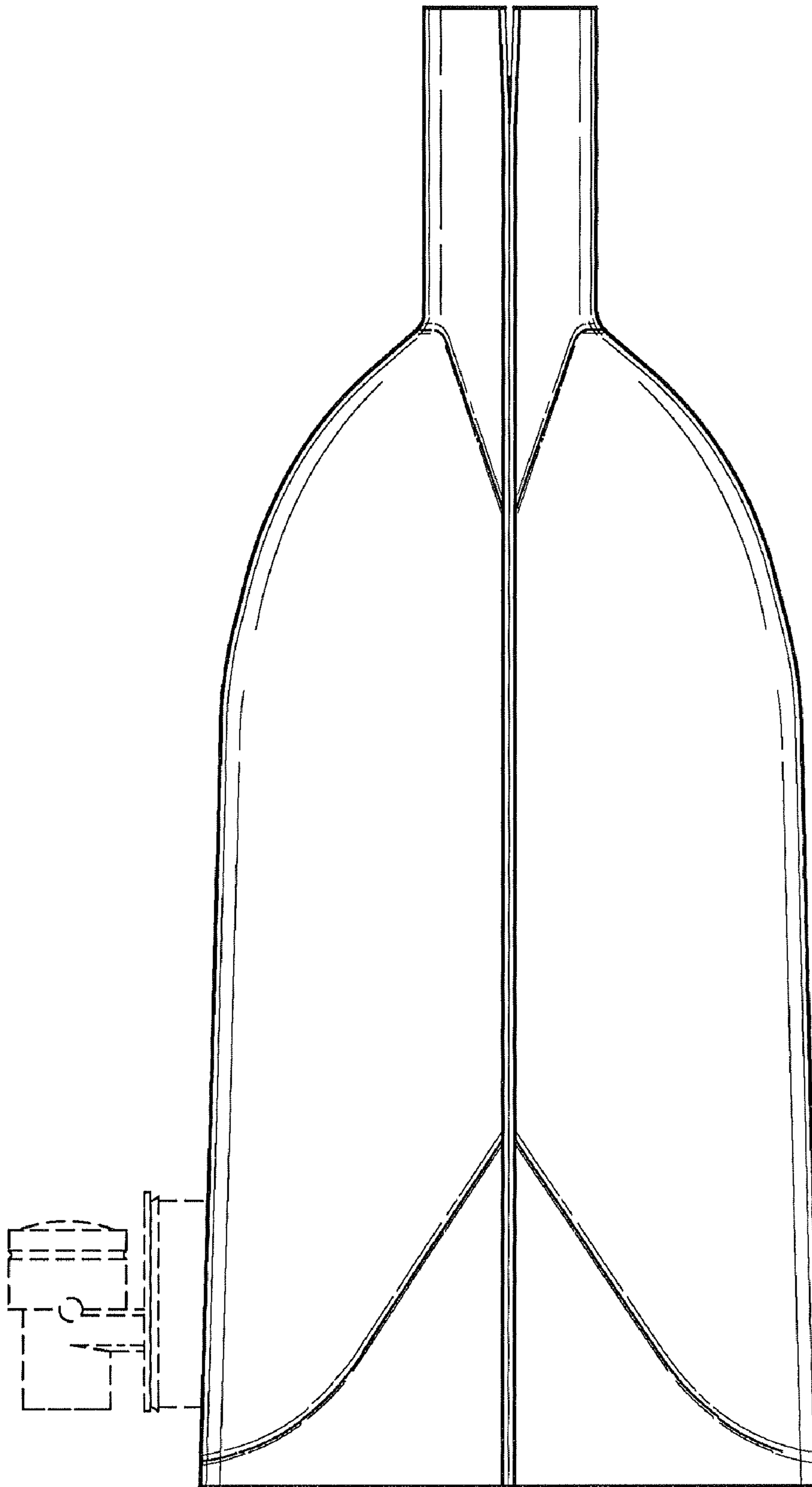


FIG. 14