



US00D582780S

(12) **United States Design Patent**
Bourne

(10) **Patent No.:** **US D582,780 S**

(45) **Date of Patent:** **** Dec. 16, 2008**

(54) **BOTTLE**

(75) Inventor: **Damien Bourne**, Le Havre Cedex (FR)

(73) Assignee: **Sidel Participations**, Octeville sur Mer (FR)

(**) Term: **14 Years**

(21) Appl. No.: **29/270,777**

(22) Filed: **Jan. 3, 2007**

(30) **Foreign Application Priority Data**

Jul. 4, 2006 (EM) 000554860

(51) **LOC (8) Cl.** **09-01**

(52) **U.S. Cl.** **D9/538; D9/520; D9/552; D9/557**

(58) **Field of Classification Search** D9/682, D9/685-694, 516, 520, 529-530, 537-543, D9/549, 552, 554, 556-558, 565; 215/371, 215/379, 382-384; 220/660, 662, 669
See application file for complete search history.

(56) **References Cited**

U.S. PATENT DOCUMENTS

D381,272 S *	7/1997	Coons	D9/552 X
D401,860 S *	12/1998	Mentasti Granelli	D9/538
D409,493 S *	5/1999	Waggaman et al.	D9/520
D414,112 S *	9/1999	Waggaman et al.	D9/520
D424,948 S *	5/2000	Ullmo	D9/552 X
6,230,912 B1 *	5/2001	Rashid	215/383
D443,826 S *	6/2001	Gnann et al.	D9/537
D447,061 S *	8/2001	Peek	D9/549

6,581,794 B2 *	6/2003	Boukobza	215/383
D503,341 S *	3/2005	Delmotte	D9/538
D506,931 S *	7/2005	Delmotte	D9/538
D510,025 S *	9/2005	Venkataraman et al.	D9/516
D534,079 S *	12/2006	Livingston	D9/516
7,228,981 B2 *	6/2007	Chisholm	215/382
D556,048 S *	11/2007	Lepoitevin	D9/551
D556,592 S *	12/2007	Gage et al.	D9/552
D559,695 S *	1/2008	Lesueur	D9/538
D564,358 S *	3/2008	Lepoitevin	D9/552 X
D571,667 S *	6/2008	Bourne	D9/539
2003/0010743 A1 *	1/2003	Boukobza	215/382

* cited by examiner

Primary Examiner—Carol Rademaker

(74) *Attorney, Agent, or Firm*—Marshall, Gerstein & Borun LLP

(57) **CLAIM**

The ornamental design for a bottle, as shown and described.

DESCRIPTION

FIG. 1 is a top perspective view of the bottle of my design;

FIG. 2 is a bottom perspective view thereof;

FIG. 3 is a right side elevational view thereof;

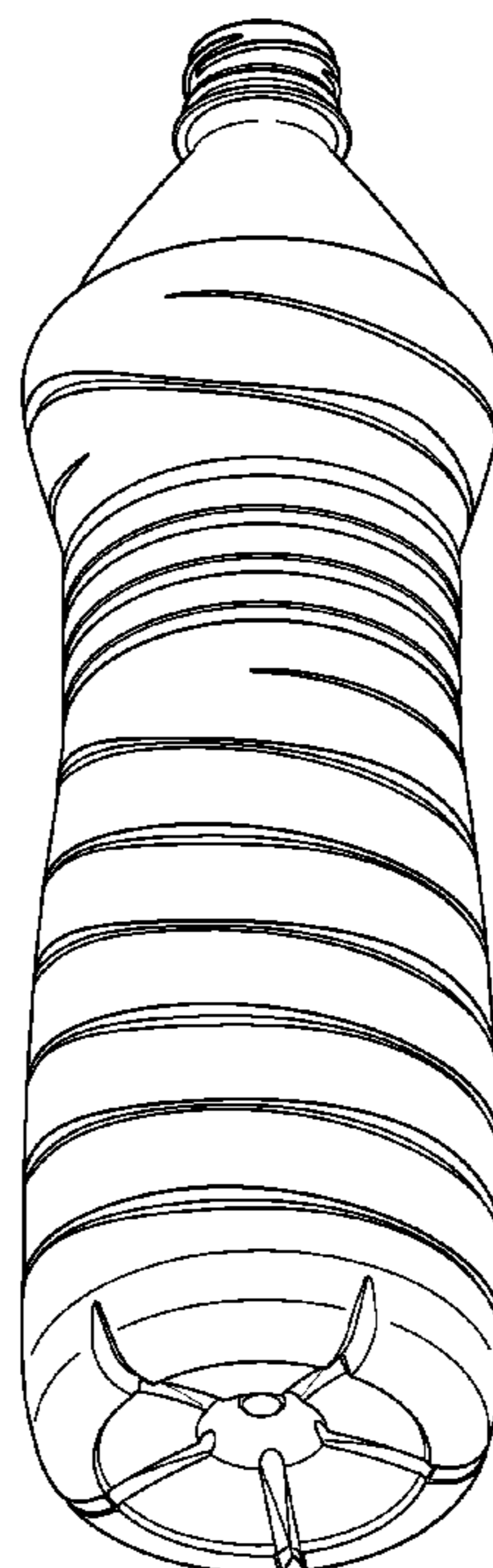
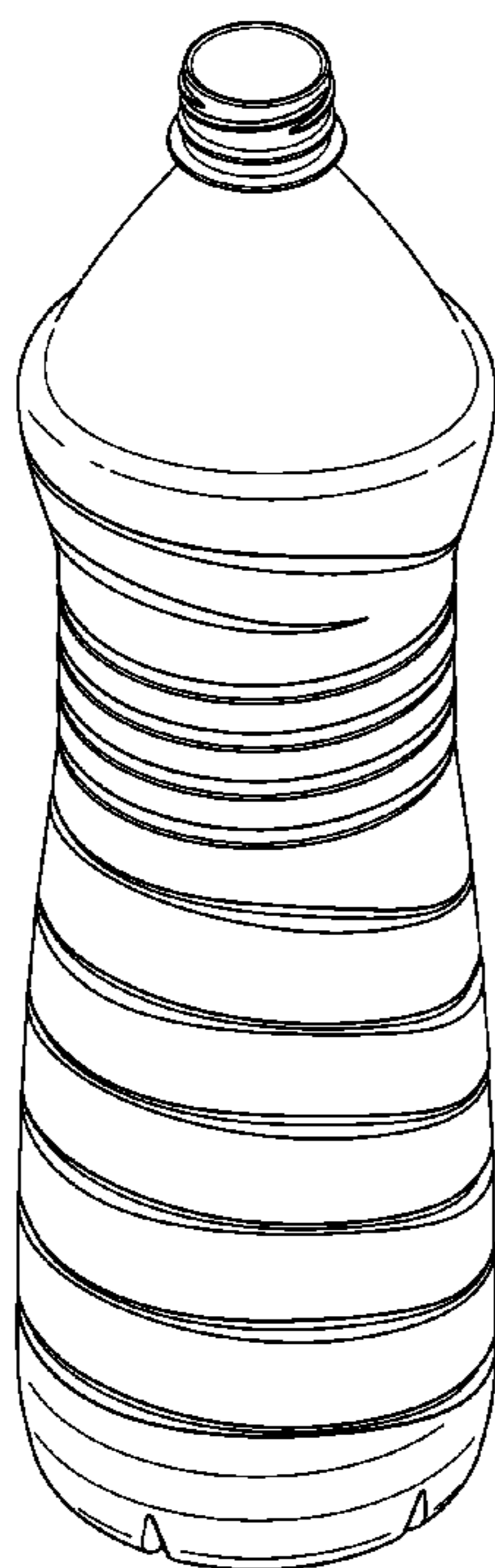
FIG. 4 is a front elevational view thereof, the back elevational view being a mirror image except for the threads on the pour spout;

FIG. 5 is a left side elevational view thereof

FIG. 6 is a top plan view thereof; and,

FIG. 7 is a bottom plan view thereof.

1 Claim, 6 Drawing Sheets



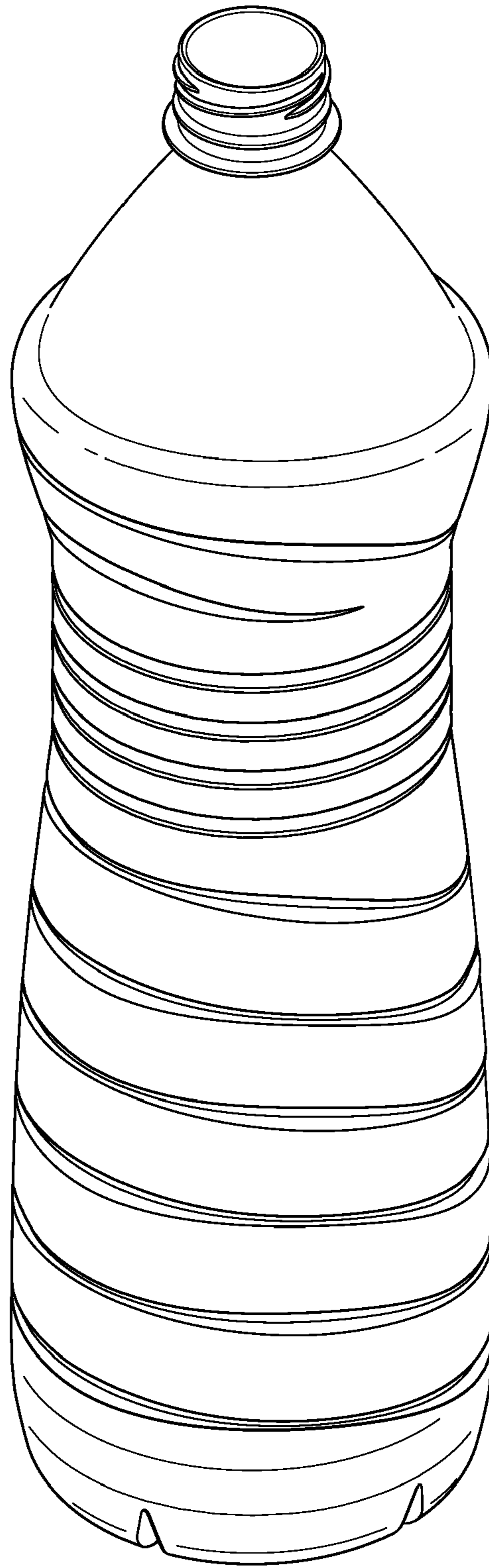


FIG. 1

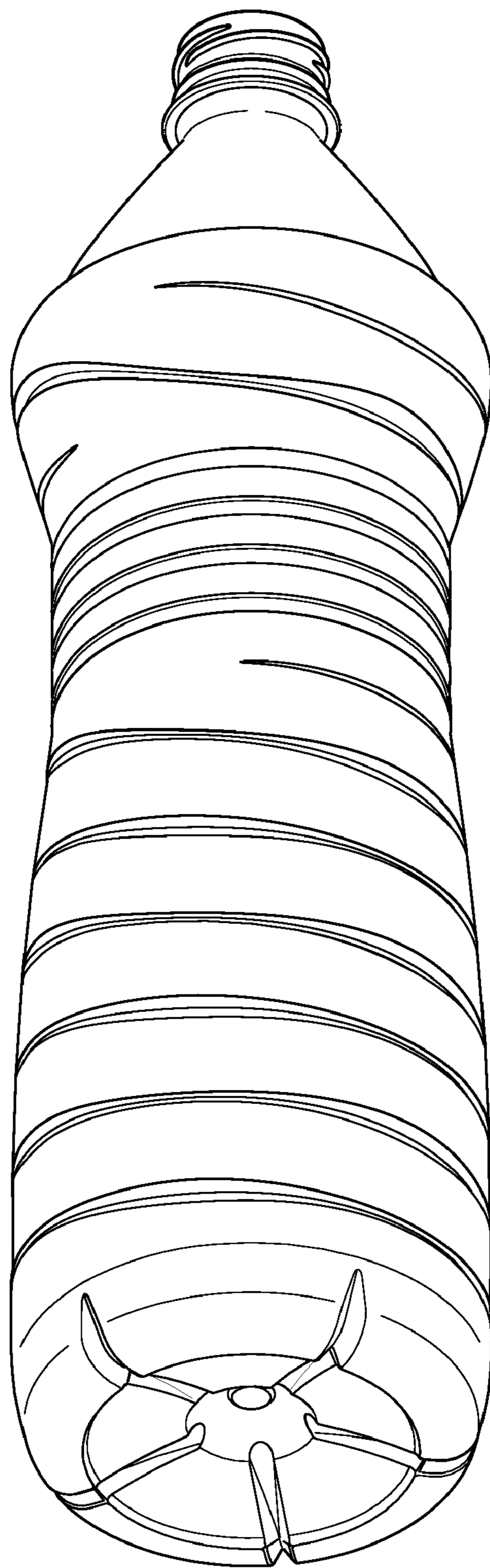


FIG. 2

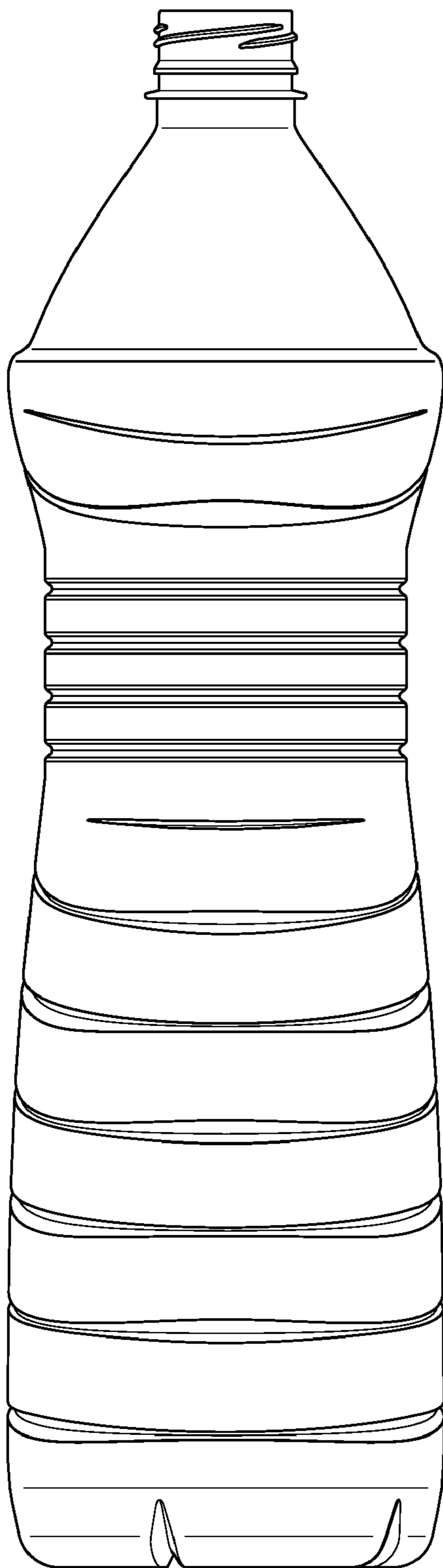


FIG. 3

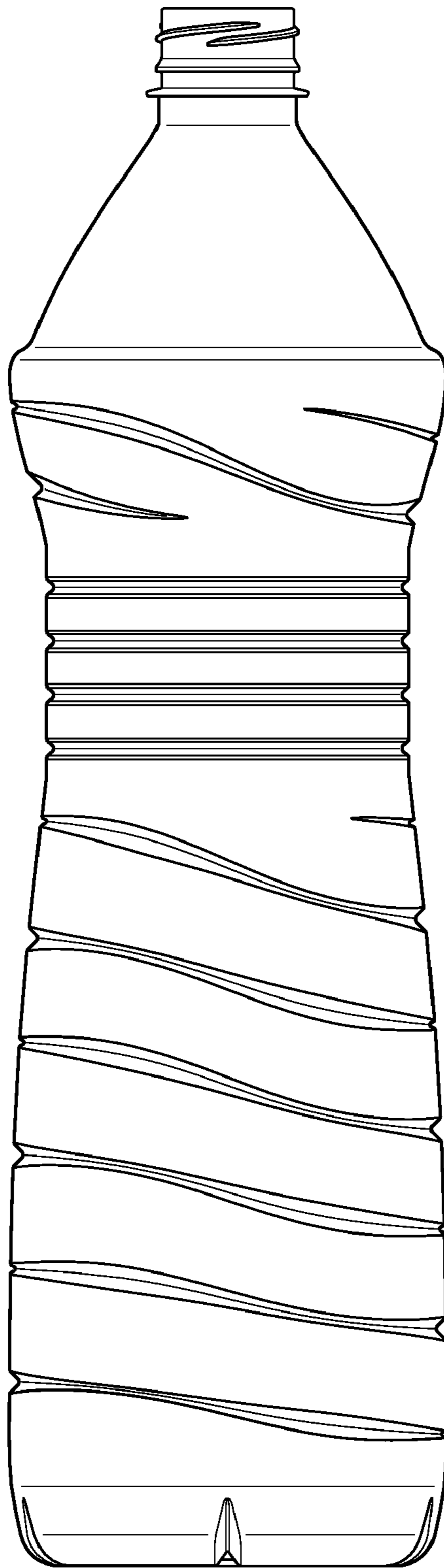


FIG. 4

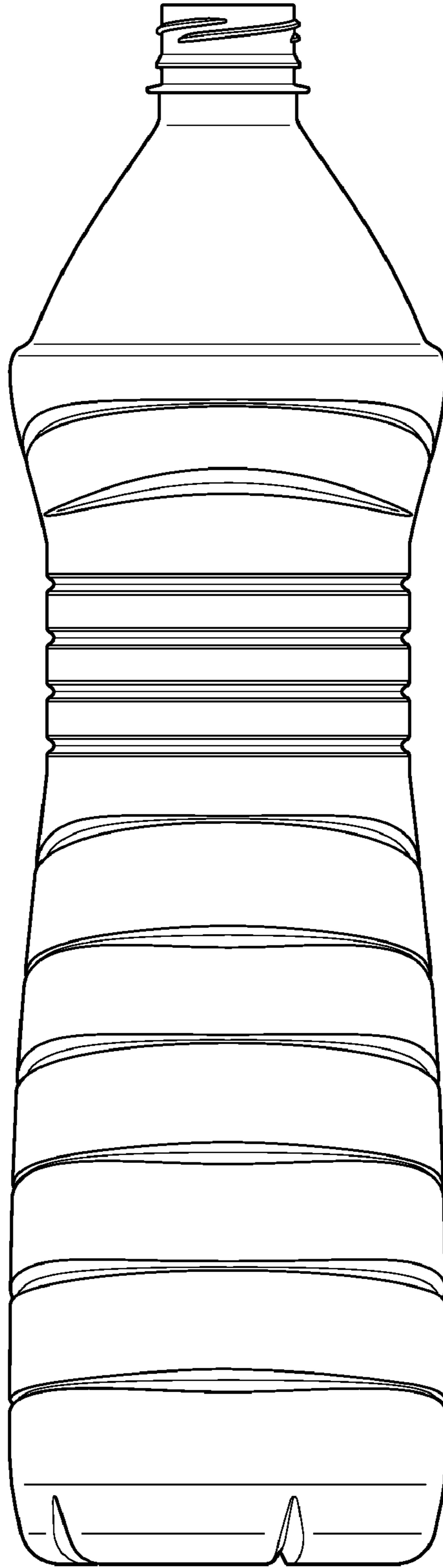


FIG. 5

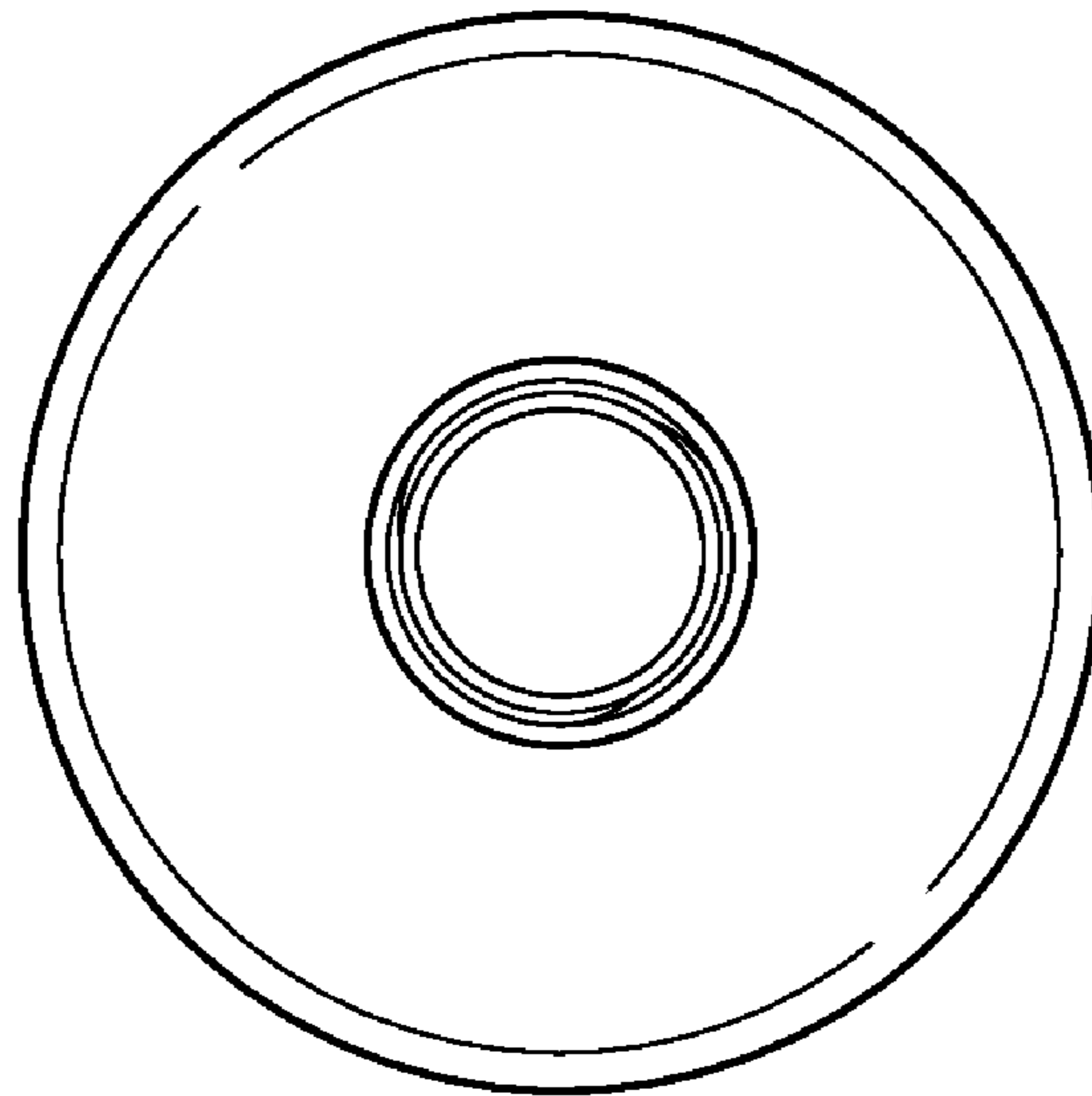


FIG. 6

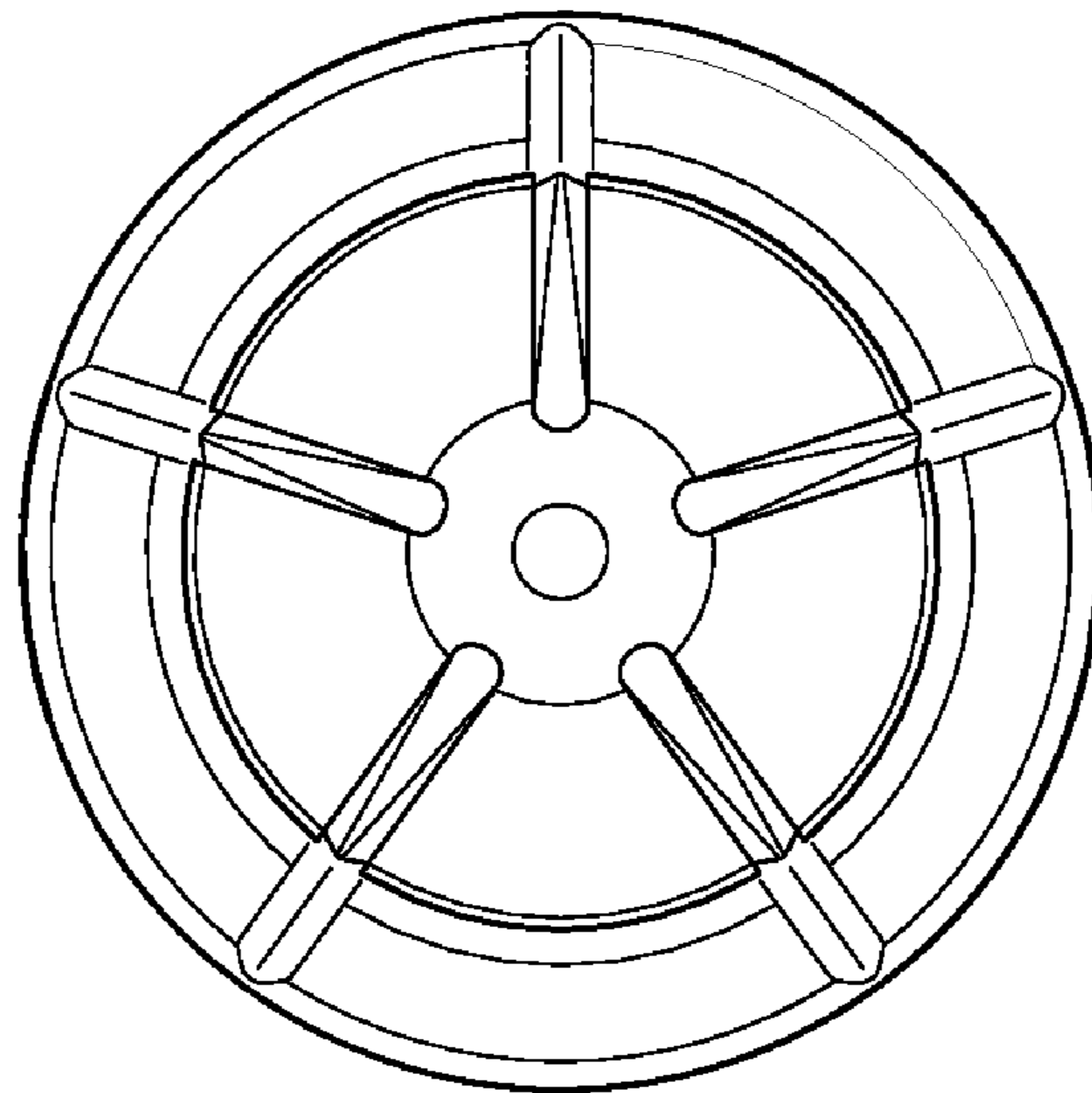


FIG. 7