



US00D582775S

(12) **United States Design Patent**
Pedmo et al.

(10) **Patent No.:** **US D582,775 S**
(45) **Date of Patent:** **** Dec. 16, 2008**

(54) **PLASTIC CONTAINER**

6,213,325 B1 * 4/2001 Cheng et al. 215/375
6,296,471 B1 * 10/2001 Cheng et al. 425/522
D570,701 S * 6/2008 Miller et al. D9/550

(75) Inventors: **Marc A. Pedmo**, Brunswick, OH (US);
Richard C. Darr, Medina, OH (US)

FOREIGN PATENT DOCUMENTS

(73) Assignee: **Plastipak Packaging, Inc.**, Plymouth,
MI (US)

WO DM/058299 * 9/2001

* cited by examiner

(**) Term: **14 Years**

Primary Examiner—Charles A. Rademaker

Assistant Examiner—Dana L Sipos

(21) Appl. No.: **29/301,956**

(74) *Attorney, Agent, or Firm*—Dykema Gossett PLLC

(22) Filed: **Mar. 25, 2008**

(57) **CLAIM**

Related U.S. Application Data

The ornamental design for a plastic container, as shown and described.

(62) Division of application No. 29/289,985, filed on Aug. 9, 2007, now Pat. No. Des. 569,729.

DESCRIPTION

(51) **LOC (8) Cl.** **09-01**

FIG. 1 is a top and right side perspective view of the plastic container;

(52) **U.S. Cl.** **D9/516; D9/520**

FIG. 2 is a left side container and container base perspective view thereof;

(58) **Field of Classification Search** D9/682,

D9/686, 688–692, 500, 502–505, 516, 537–540,

D9/545, 549, 558, 904–905, 520, 550; 215/379–385;

220/660, 662, 669, 675

See application file for complete search history.

FIG. 3 is a left side elevation view thereof;

FIG. 4 is a right side elevation view thereof;

FIG. 5 is a rear elevation view thereof;

FIG. 6 is a front elevation view thereof; and,

FIG. 7 is a plan view of the container base thereof.

(56) **References Cited**

U.S. PATENT DOCUMENTS

D358,547 S * 5/1995 Darr D9/520

D376,316 S * 12/1996 Lynn et al. D9/434

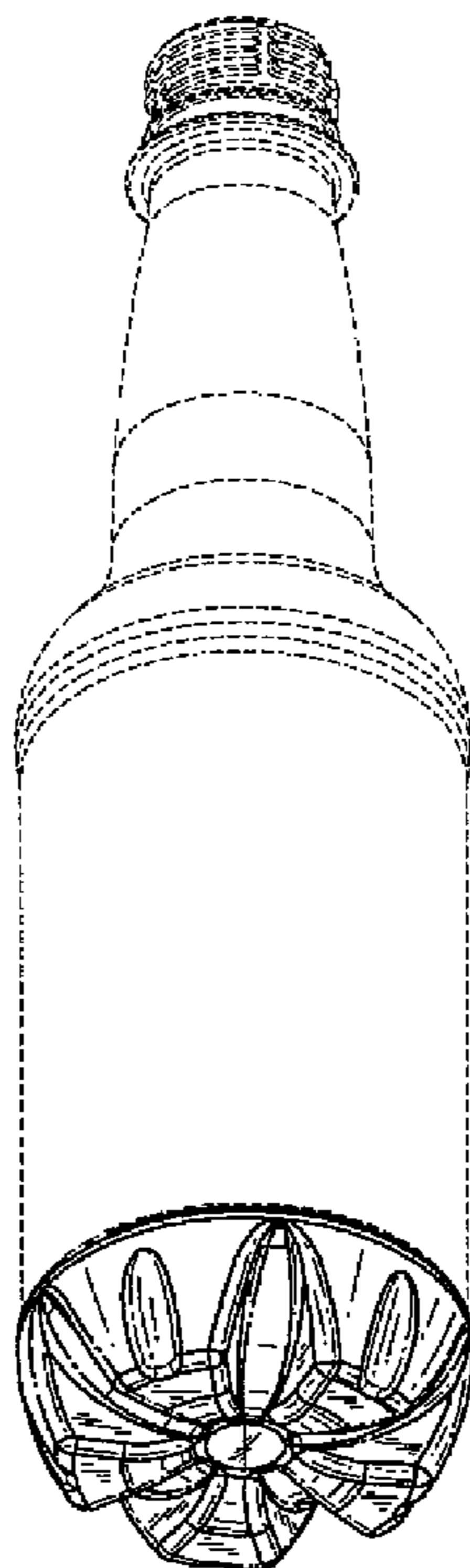
5,603,423 A * 2/1997 Lynn et al. 215/375

D399,748 S * 10/1998 Paoloski D9/520

D418,414 S * 1/2000 Cheng et al. D9/434

The broken lines in the drawings showing the body of the plastic container illustrate the portions of the design that form no part of the claim.

1 Claim, 2 Drawing Sheets



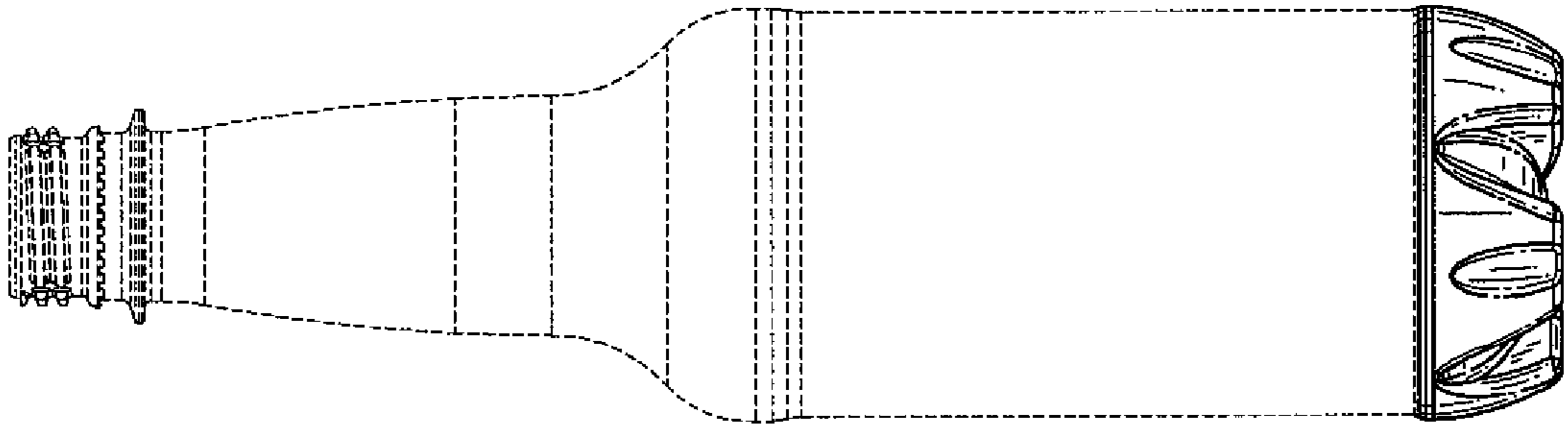


FIG. 4

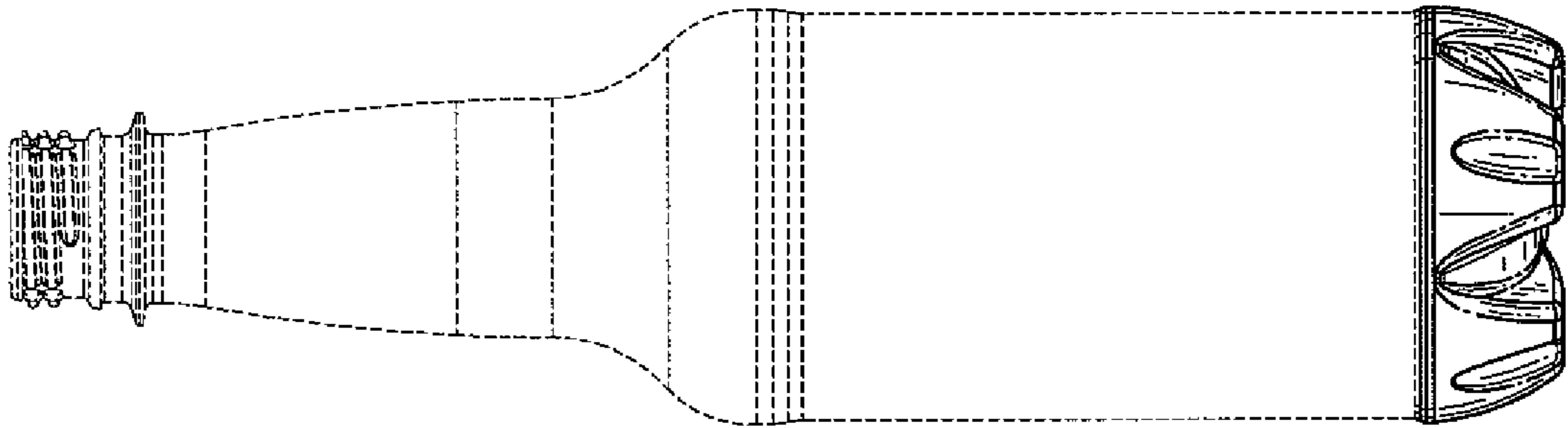


FIG. 3

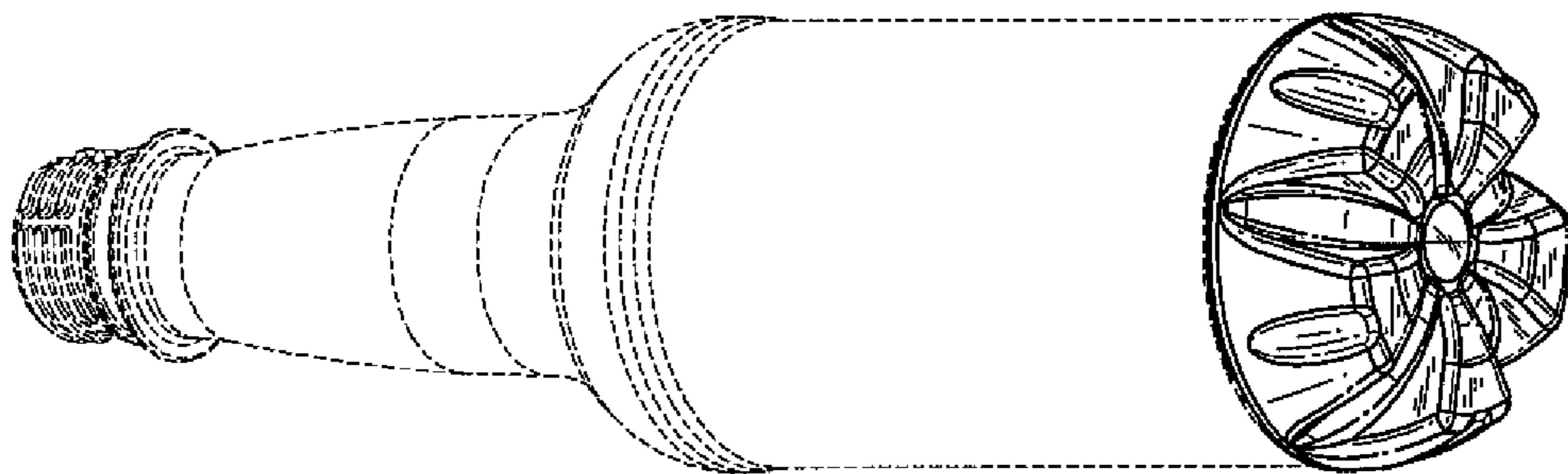


FIG. 2

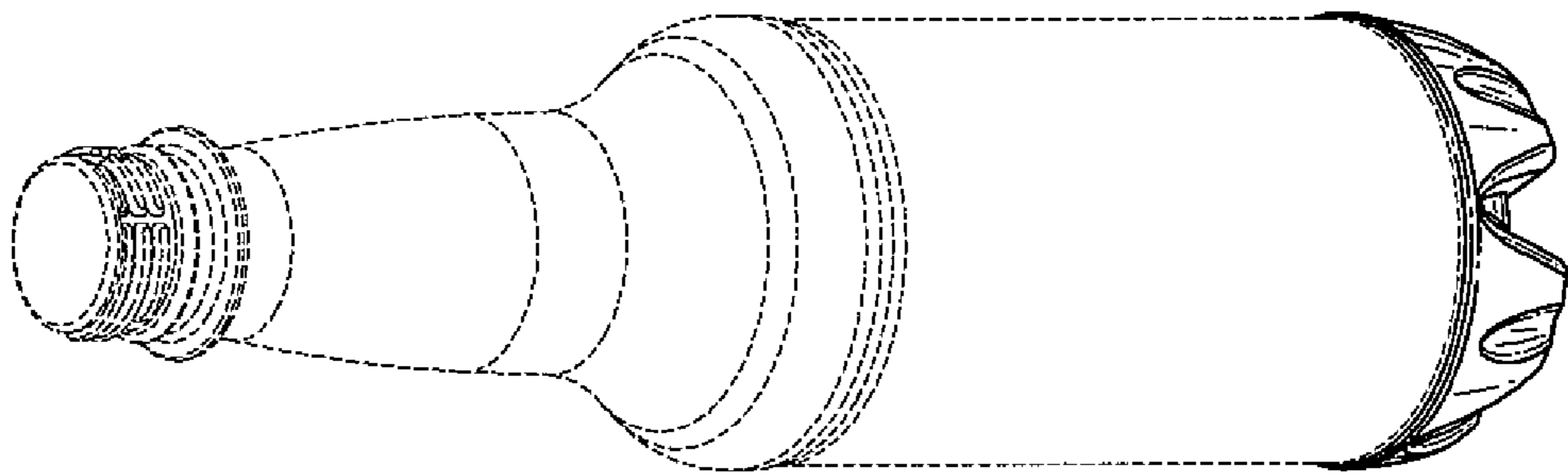


FIG. 1

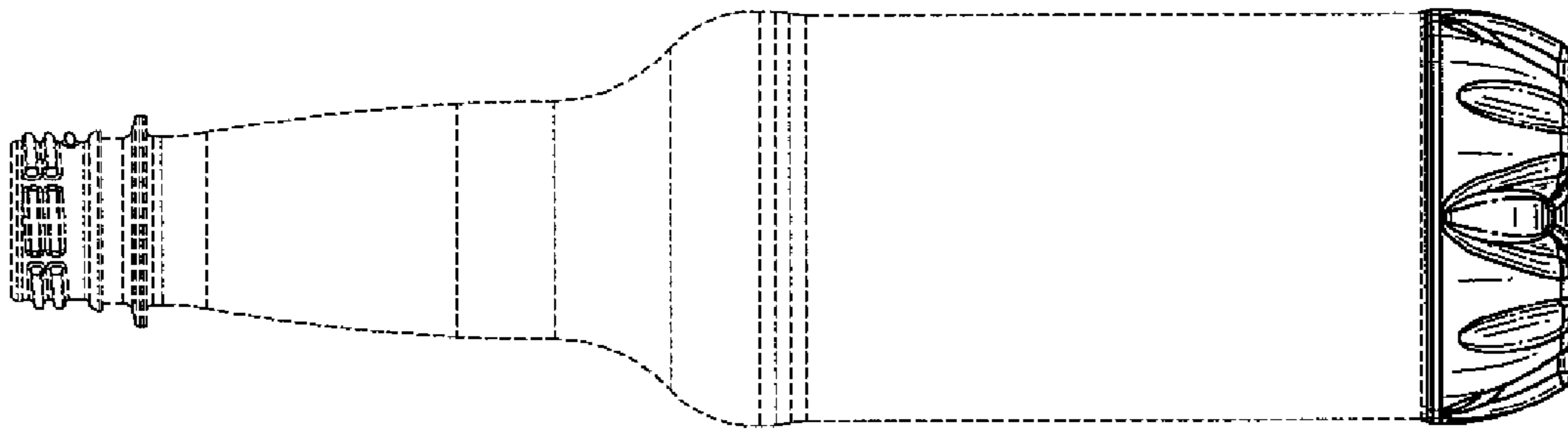


FIG. 5

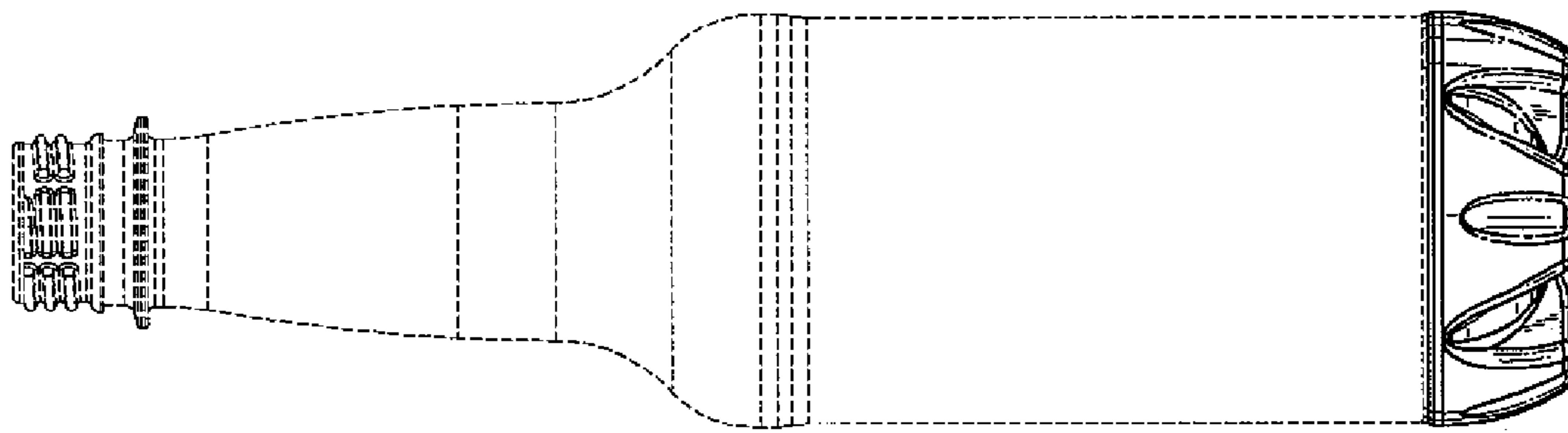


FIG. 6

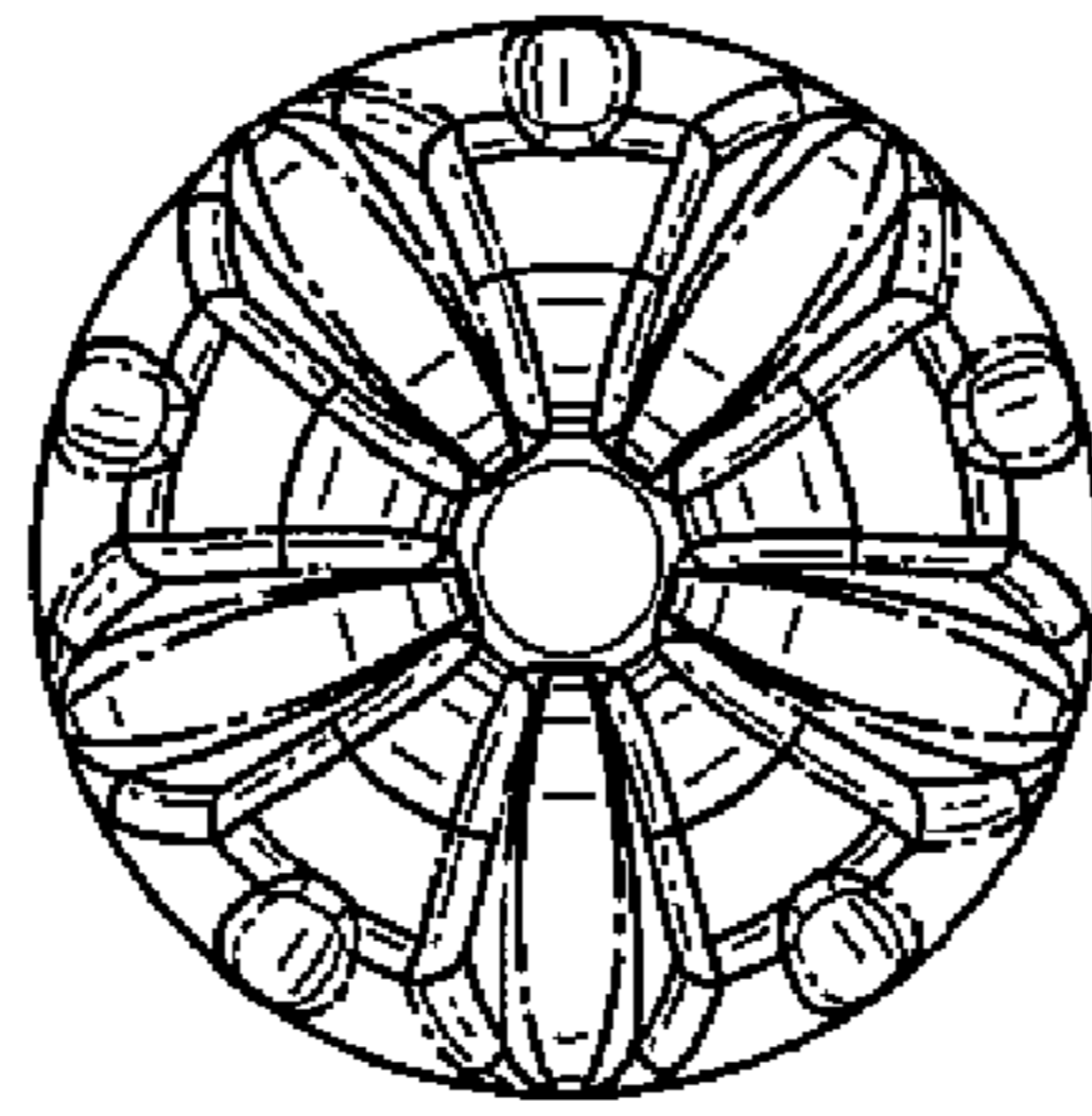


FIG. 7