



US00D582772S

(12) **United States Design Patent**
Bakic

(10) **Patent No.:** **US D582,772 S**
(45) **Date of Patent:** **** Dec. 16, 2008**

(54) **CONTAINER CAP**

(75) Inventor: **Dieter Bakic**, Munich (DE)

(73) Assignee: **DB Design GmbH**, Munich (DE)

(**) Term: **14 Years**

(21) Appl. No.: **29/269,742**

(22) Filed: **Dec. 7, 2006**

(30) **Foreign Application Priority Data**

Jun. 8, 2006 (EM) 000540901

(51) **LOC (8) Cl.** **09-07**

(52) **U.S. Cl.** **D9/449; D9/454**

(58) **Field of Classification Search** D9/453,
D9/450, 449, 446, 438, 574, 529; 222/571,
222/567, 566, 545, 544, 484, 481.5, 480;
220/810; 215/556, 235; D28/82

See application file for complete search history.

(56) **References Cited**

U.S. PATENT DOCUMENTS

D317,869 S	7/1991	Kipperman et al.	
D339,882 S	9/1993	Chevassus	
5,908,037 A	6/1999	Pierson	
D426,773 S *	6/2000	Warner et al.	D9/449
6,772,899 B2	8/2004	Delmon	
D503,888 S *	4/2005	Garcia et al.	D9/449
D504,611 S *	5/2005	Bakic	D9/446
D504,818 S *	5/2005	Bakic	D9/449
6,978,791 B2	12/2005	Lee	
D525,136 S *	7/2006	Bakic	D9/446
D526,200 S *	8/2006	Bakic	D9/529
D526,201 S *	8/2006	Bakic	D9/522
D526,202 S *	8/2006	Bakic	D9/522

D527,641 S *	9/2006	Bakic	D9/529
D528,005 S *	9/2006	Bakic	D9/529
D529,388 S *	10/2006	Bakic	D9/529
D529,393 S *	10/2006	Bakic	D9/574
D531,504 S *	11/2006	Norris et al.	D9/449
D533,784 S *	12/2006	Bakic	D9/529
D547,184 S *	7/2007	Kim et al.	D9/449
D566,558 S *	4/2008	Bakic	D9/503

OTHER PUBLICATIONS

U.S. Appl. No. 29/215,950, filed Oct. 27, 2004, entitled "Cosmetic Container" VOS0027/US).

* cited by examiner

Primary Examiner—Gary D. Watson

Assistant Examiner—Susan B Hattan

(74) *Attorney, Agent, or Firm*—Kagan Binder, PLLC

(57) **CLAIM**

The ornamental design for a container cap, as shown and described.

DESCRIPTION

FIG. 1 is a perspective view of a container cap of the present design;

FIG. 2 is a front elevational view of the container cap of FIG. 1;

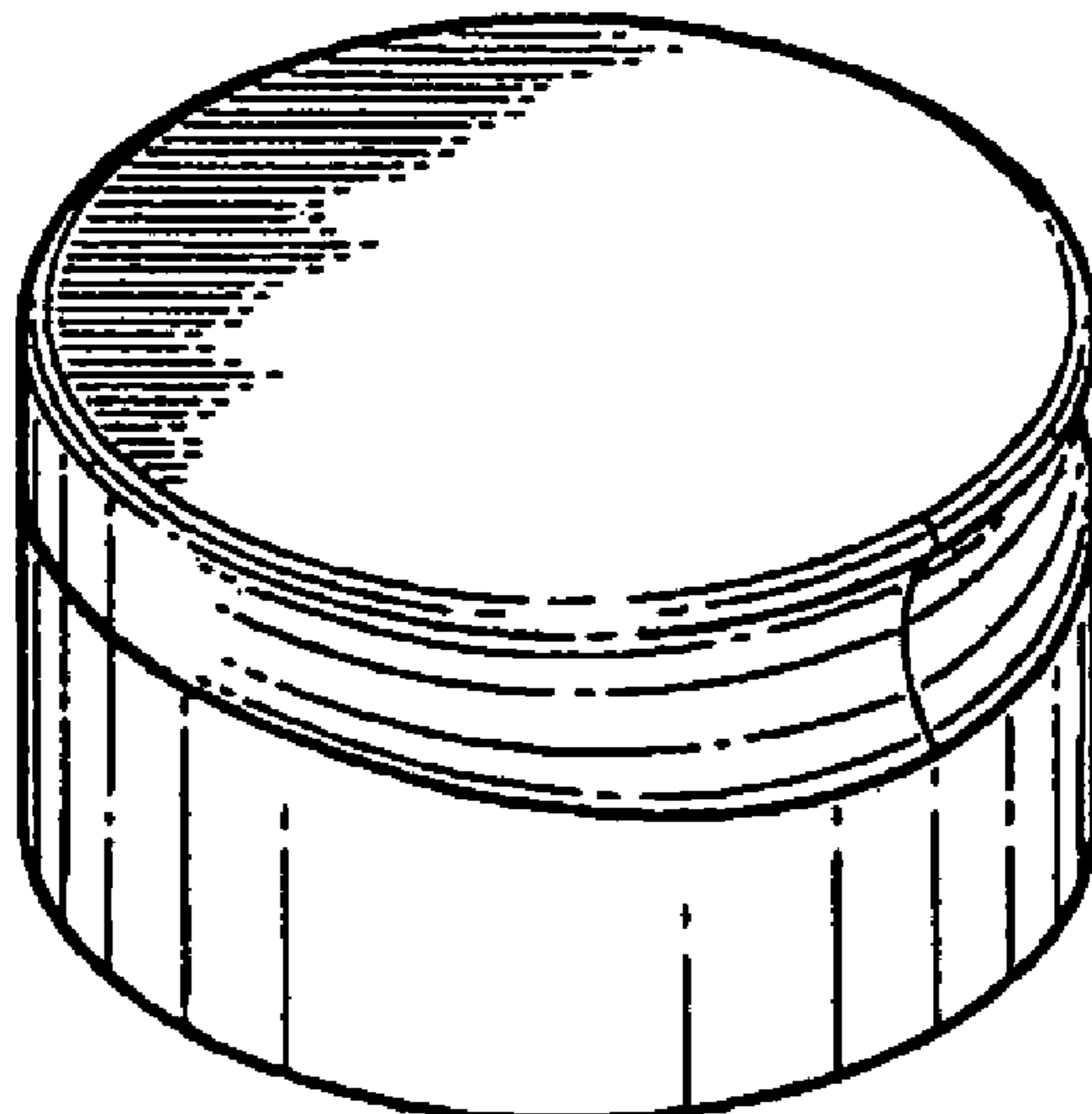
FIG. 3 is a left side elevational view of the container cap of FIG. 1;

FIG. 4 top plan view of the container cap of FIG. 1;

FIG. 5 is a rear elevational view of the container cap of FIG. 1; and,

FIG. 6 right side elevational view of the container cap of FIG. 1.

1 Claim, 2 Drawing Sheets



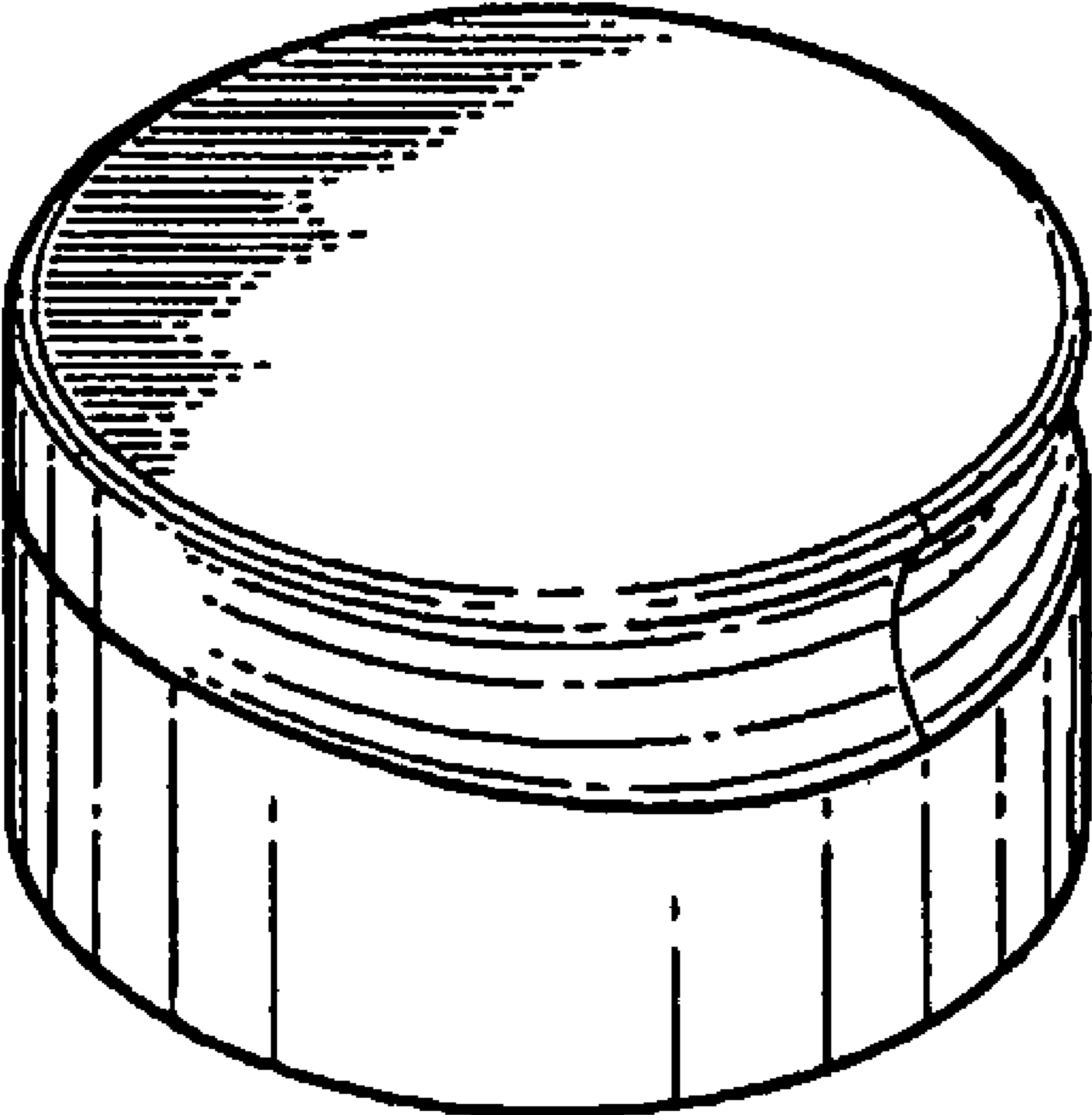


FIG. 1

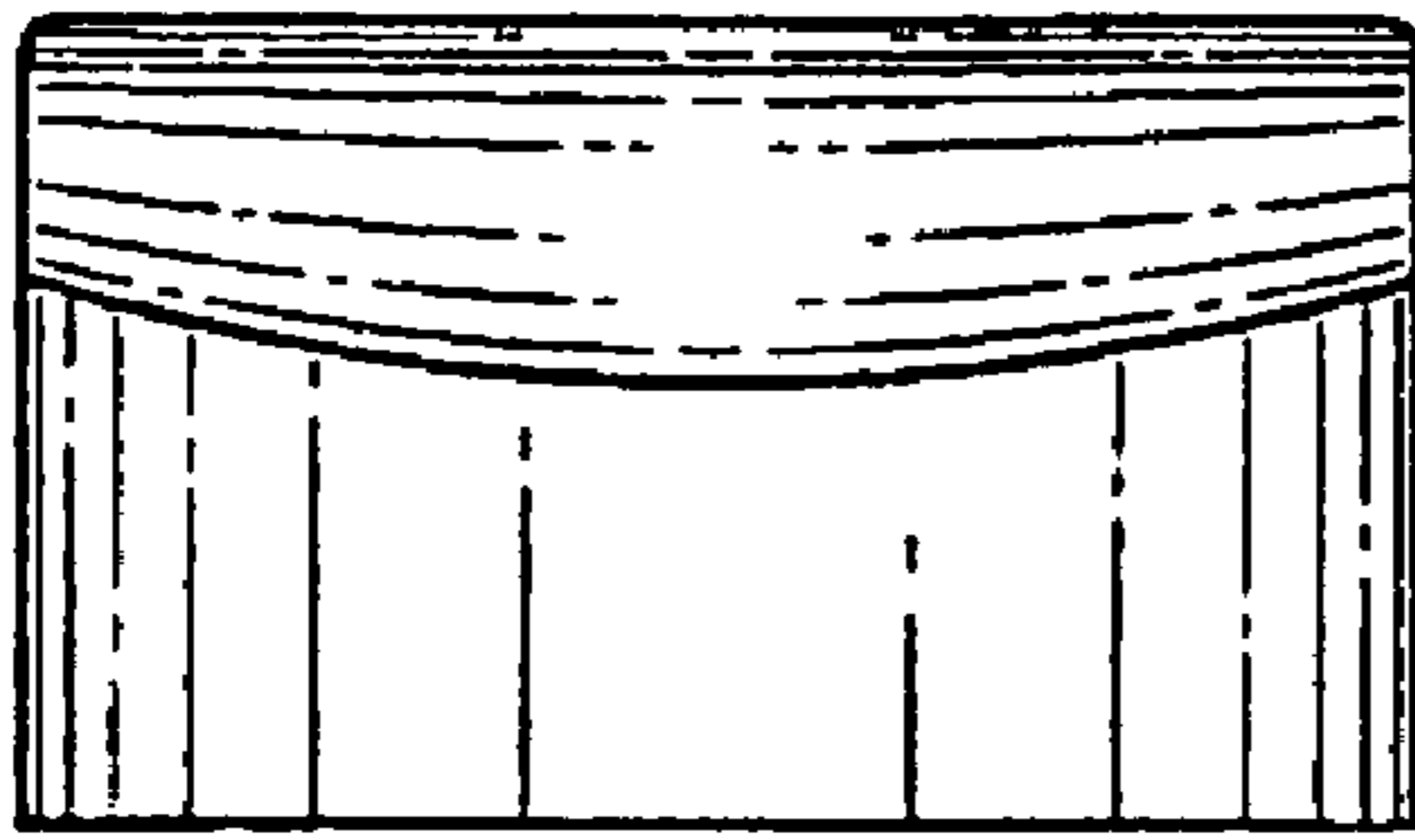


FIG. 2

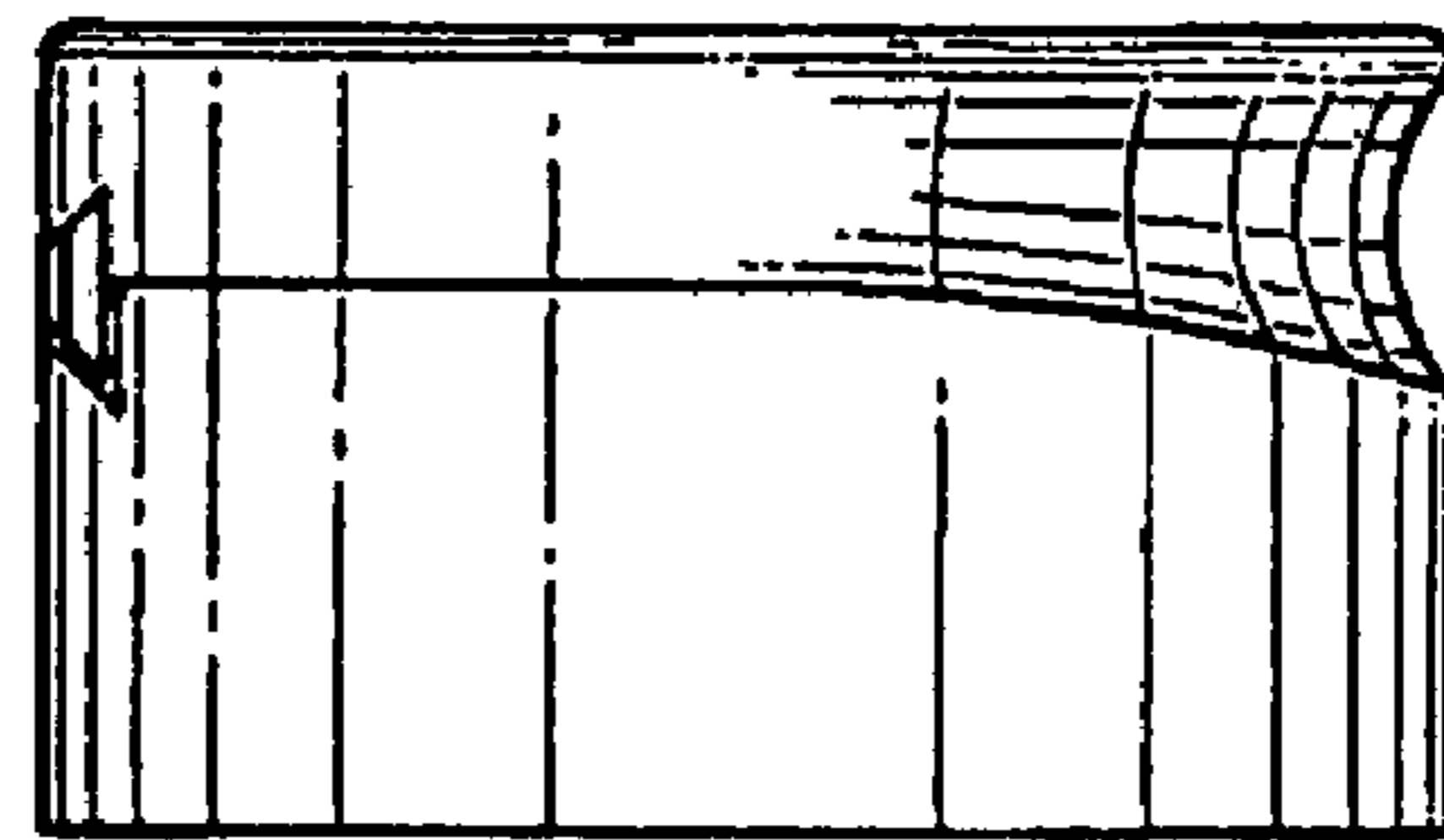


FIG. 3

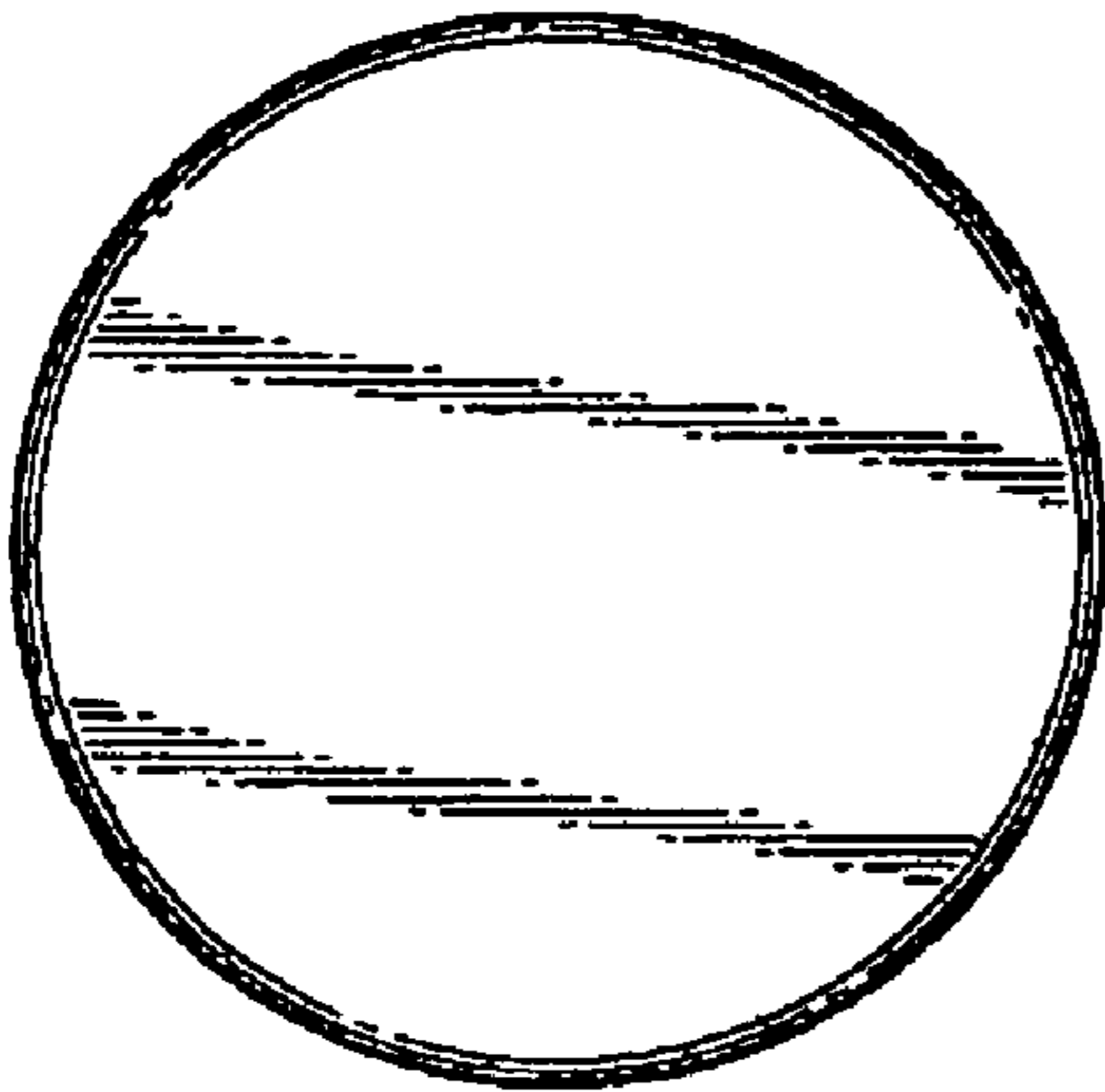


FIG. 4

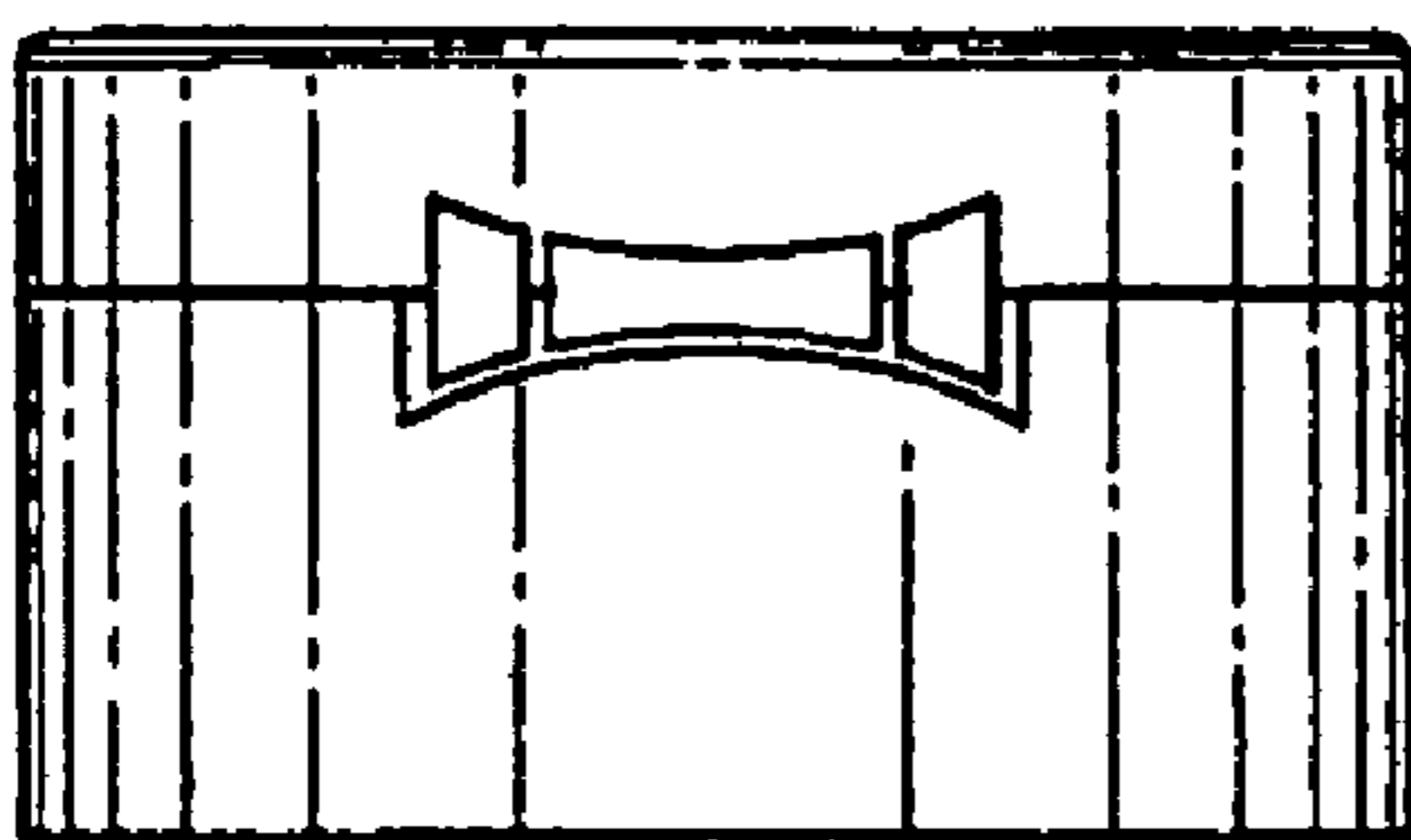


FIG. 5

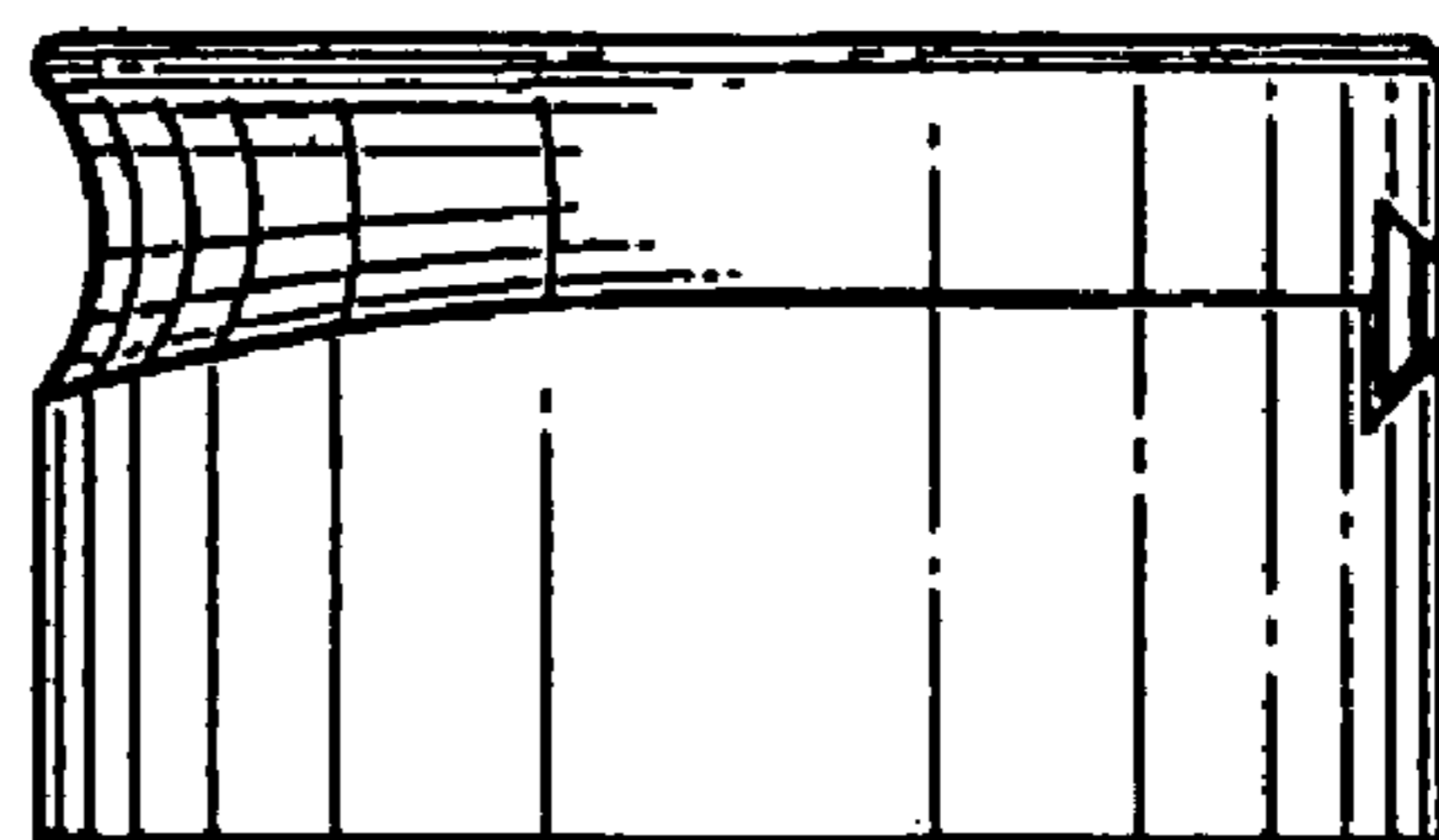


FIG. 6