

US00D582767S

(12) **United States Design Patent**
Batton et al.

(10) **Patent No.:** **US D582,767 S**

(45) **Date of Patent:** **** Dec. 16, 2008**

(54) **DISPENSING BOTTLE CAP**

(75) Inventors: **Richard A. Batton**, Milwaukee, WI (US); **Paul Larson**, Racine, WI (US); **Jonathan A. Boticki**, Racine, WI (US)

(73) Assignee: **JohnsonDiversey, Inc.**, Sturtevant, WI (US)

(**) Term: **14 Years**

(21) Appl. No.: **29/250,966**

(22) Filed: **Dec. 7, 2006**

(51) **LOC (8) Cl.** **09-07**

(52) **U.S. Cl.** **D9/447; D9/454**

(58) **Field of Classification Search** D9/754, D9/753, 752, 741, 728, 724, 697, 695, 529, D9/524, 516, 454, 447, 445, 444, 442, 443, D9/440, 439, 435, 434, 441; D7/679, 590-597, D7/511, 510, 401.1, 398; 241/169, 169.1, 241/168; 229/906.1; 222/567, 566, 545, 222/482, 480, 356, 151, 149, 142.1-142.9; 220/713, 254.1, 703, 269, 200, 234, 295, 220/304, 310.1, 378, 795, 804, 849, DIG. 19, 220/DIG. 4, DIG. 7; D23/260, 259; 215/200, 215/231, 234, 364; D24/216, 222, 224, 231
See application file for complete search history.

(56) **References Cited**

U.S. PATENT DOCUMENTS

D160,485	S	*	10/1950	Detzel	D9/439
D216,678	S	*	3/1970	Wilcox	D9/439
D275,839	S	*	10/1984	Lutzker	D9/439
4,854,486	A		8/1989	Daley et al.	222/484
4,948,014	A		8/1990	Rutter et al.	222/83
5,165,578	A		11/1992	Laible	222/189
D331,653	S	*	12/1992	Stone	D34/11
D336,042	S	*	6/1993	Bondanza	D9/435
D355,119	S	*	2/1995	Zimmermann et al.	D9/440
5,544,810	A		8/1996	Horvath, Jr. et al.	239/10
5,586,673	A	*	12/1996	Venooker et al.	215/310
5,862,948	A		1/1999	Duchon et al.	222/133
5,887,766	A		3/1999	Yang	222/466
5,988,456	A		11/1999	Laible	222/464.1

6,045,012	A		4/2000	Hansen	222/464.1
6,050,459	A	*	4/2000	Johnson et al.	222/382
D432,916	S	*	10/2000	Drinkwater et al.	D9/447
6,142,345	A		11/2000	Laible	222/189.1
6,202,717	B1	*	3/2001	Markey et al.	141/383
D453,472	S	*	2/2002	Kwong	D9/447
6,543,654	B1		4/2003	Uhl et al.	222/464.1
6,669,062	B1		12/2003	Laible	222/464.1
6,733,917	B1		5/2004	Janmey	429/56
6,945,433	B2		9/2005	Laible	222/185.1
6,968,983	B2		11/2005	Laible	222/464.1

FOREIGN PATENT DOCUMENTS

WO WO 01/27020 A1 4/2001

* cited by examiner

Primary Examiner—Robert M. Spear

Assistant Examiner—Susan B Hattan

(74) *Attorney, Agent, or Firm*—Gregory S. Bollis

(57) **CLAIM**

We claim the ornamental design for a dispensing bottle cap, as shown and described.

DESCRIPTION

The present application is directed to the ornamental features of a dispensing bottle cap having a lock-out feature and adapted to dispense the contents of a bottle when coupled to a bottle having a plug with matching lock-out feature.

FIG. 1 is a top perspective view of a dispensing bottle cap.

FIG. 2 is a bottom perspective view of the dispensing bottle cap shown in FIG. 1.

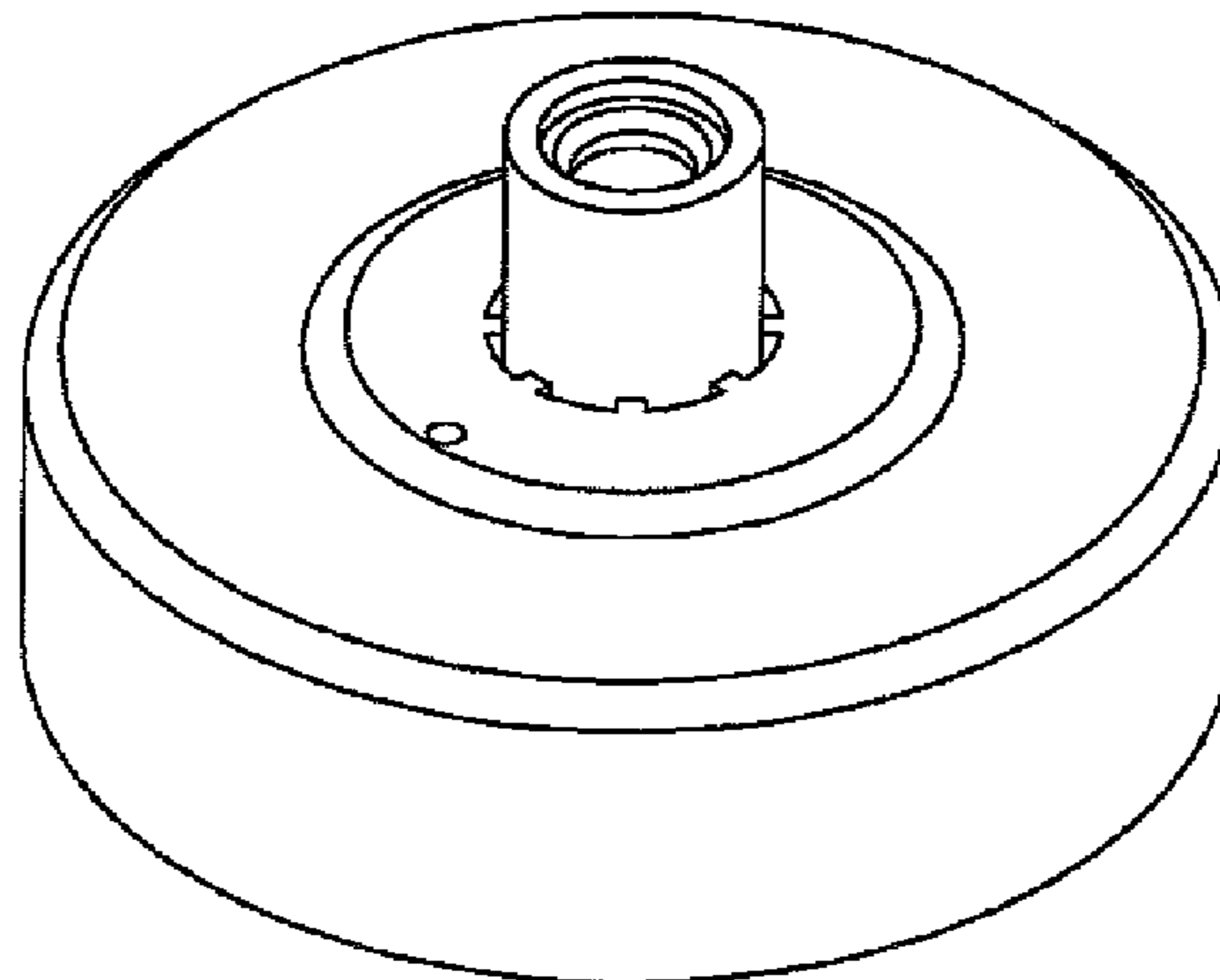
FIG. 3 is a top view of the dispensing bottle cap shown in FIG. 1.

FIG. 4 is a side view of the dispensing bottle cap shown in FIG. 1; and,

FIG. 5 is a bottom view of a dispensing bottle cap shown in FIG. 1.

The features of the drawings shown in broken lines are not considered part of the design currently sought to be patented.

1 Claim, 3 Drawing Sheets



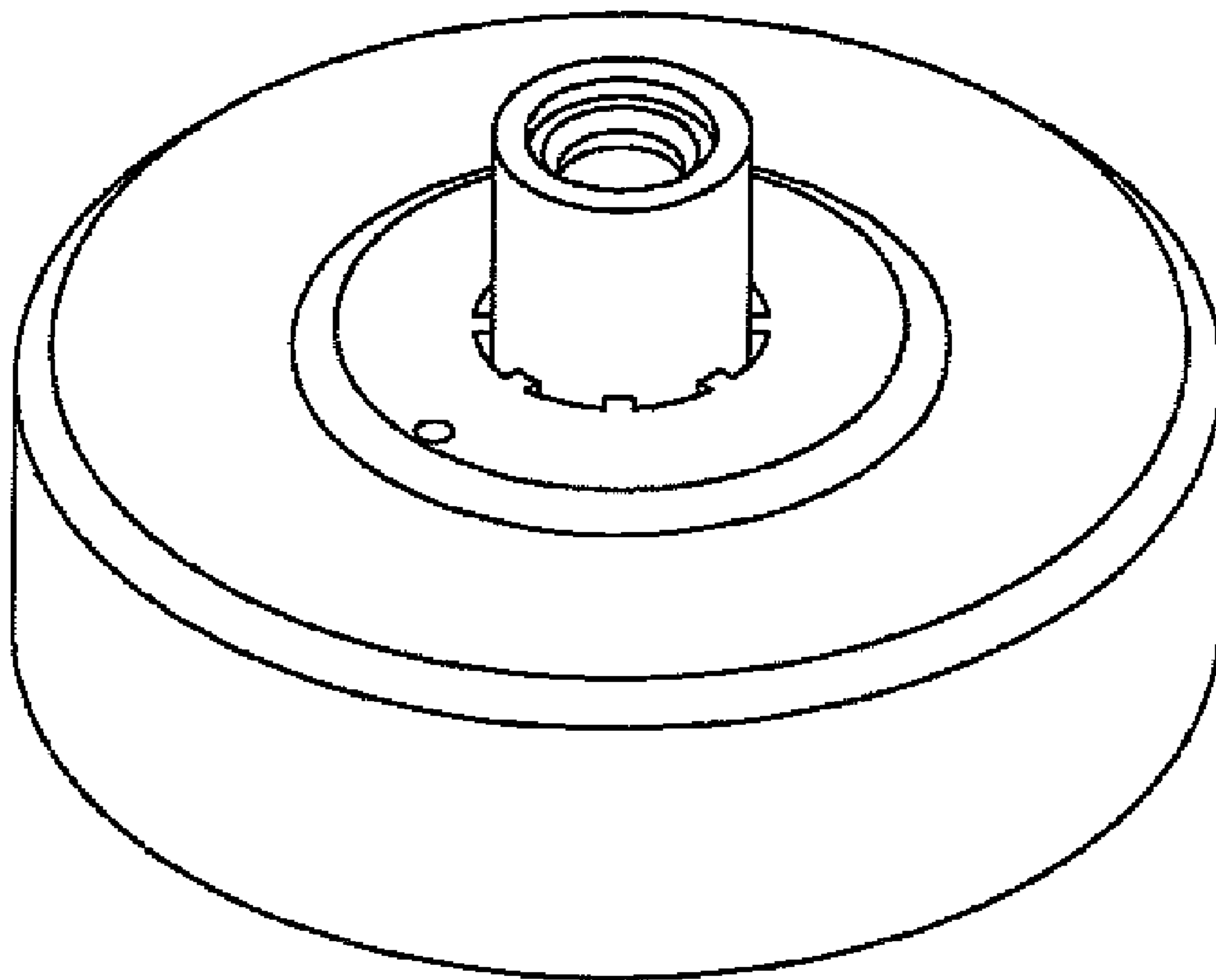


FIG. 1

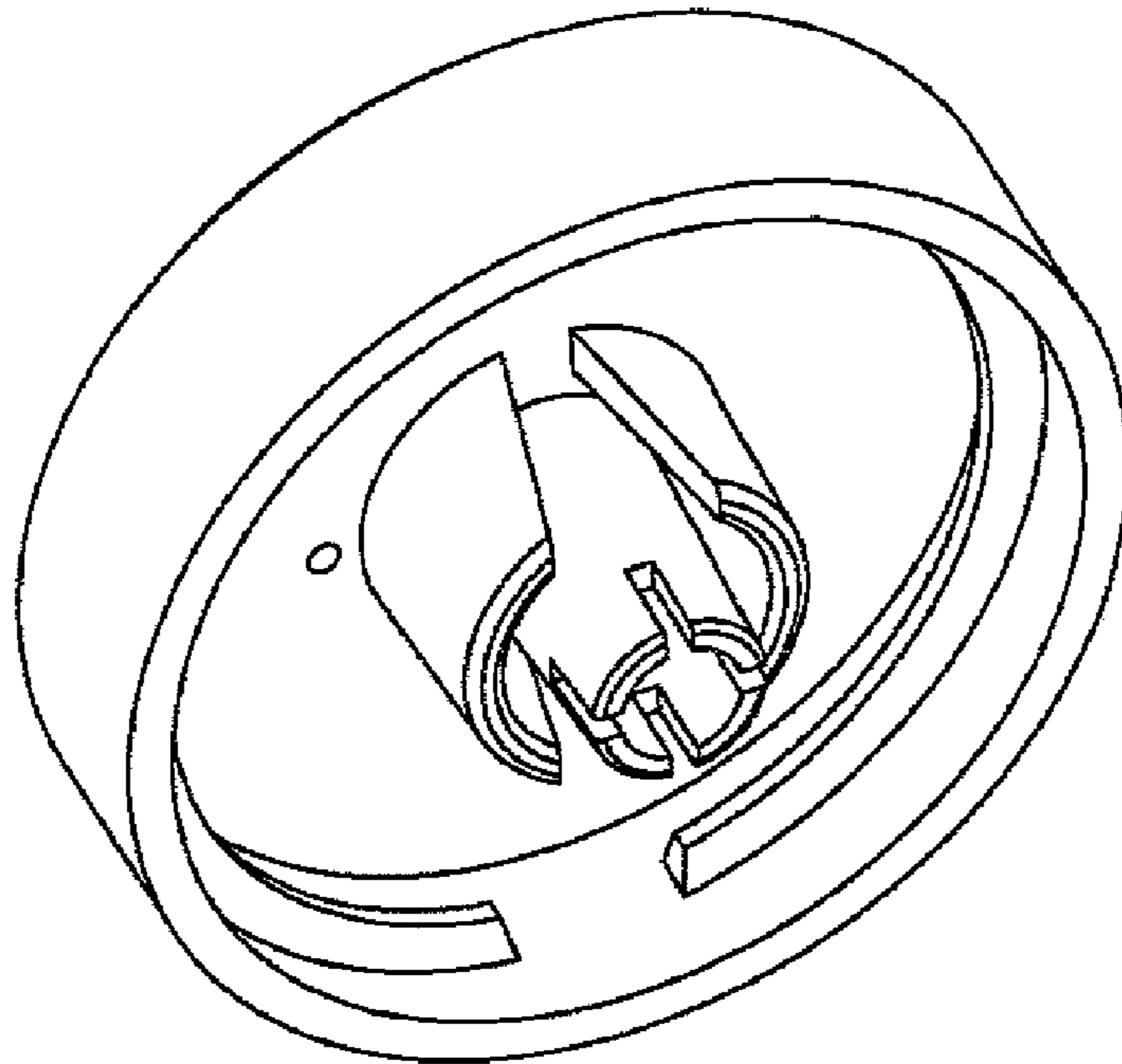


FIG. 2

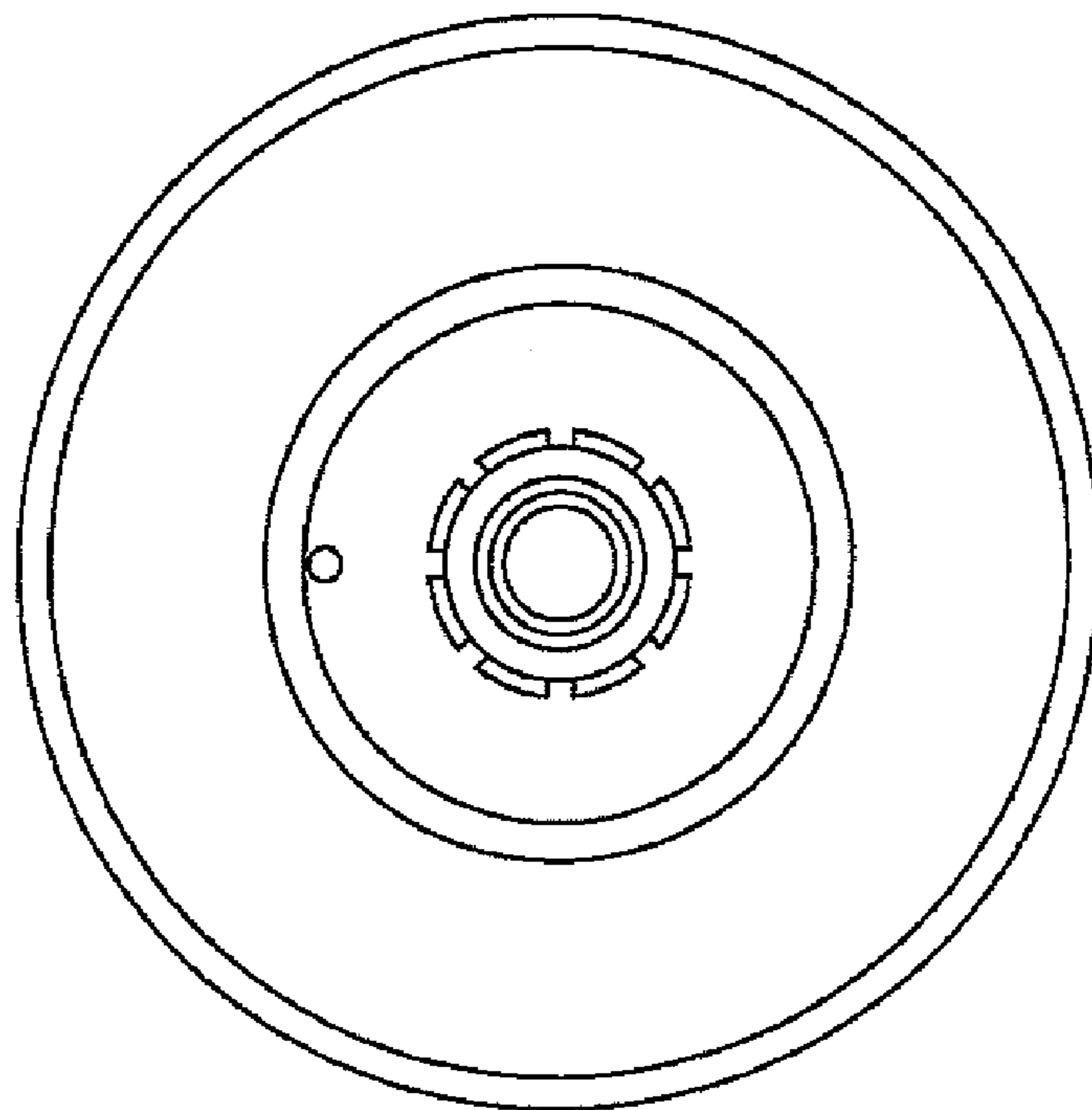


FIG. 3

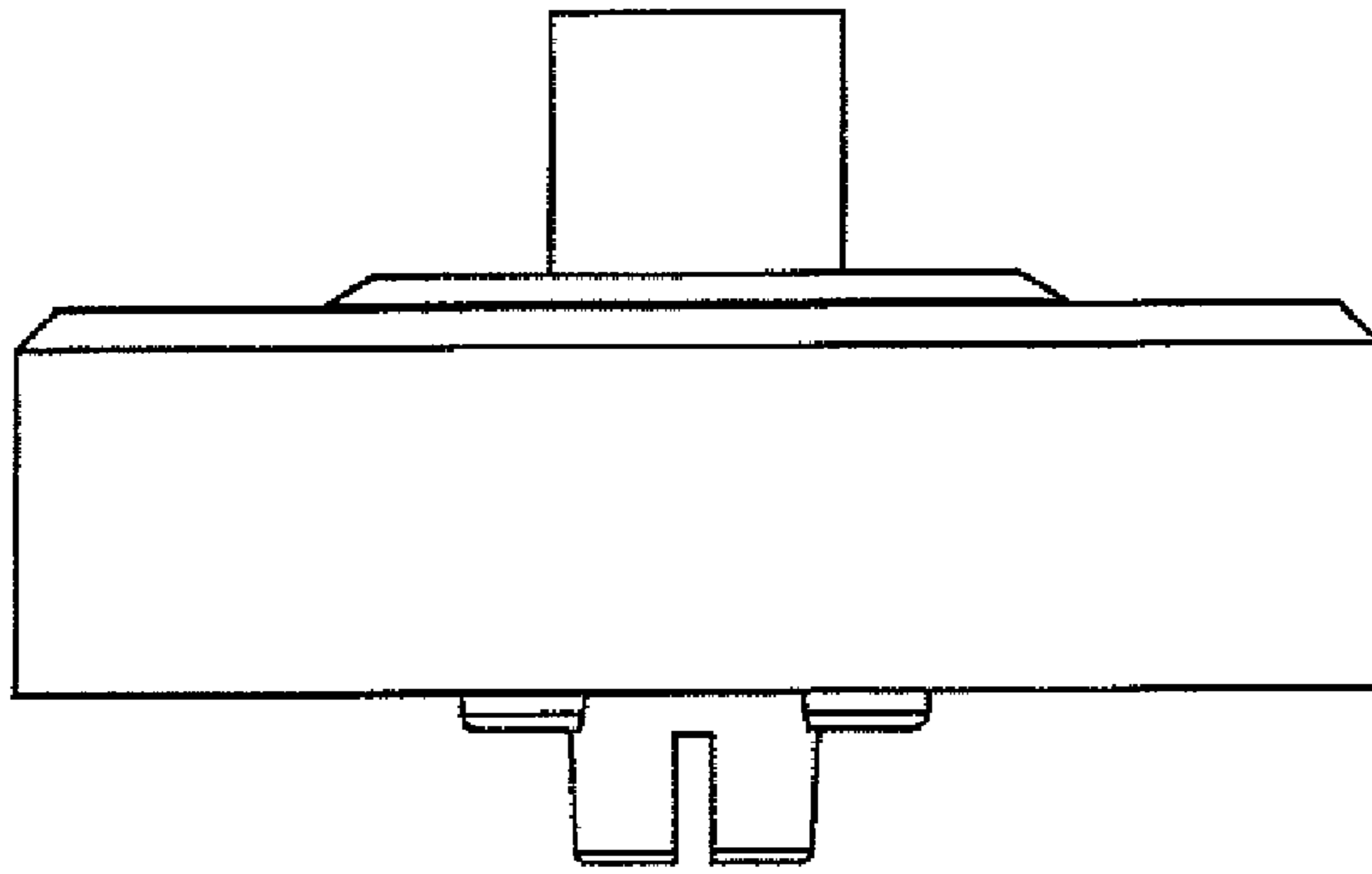


FIG. 4

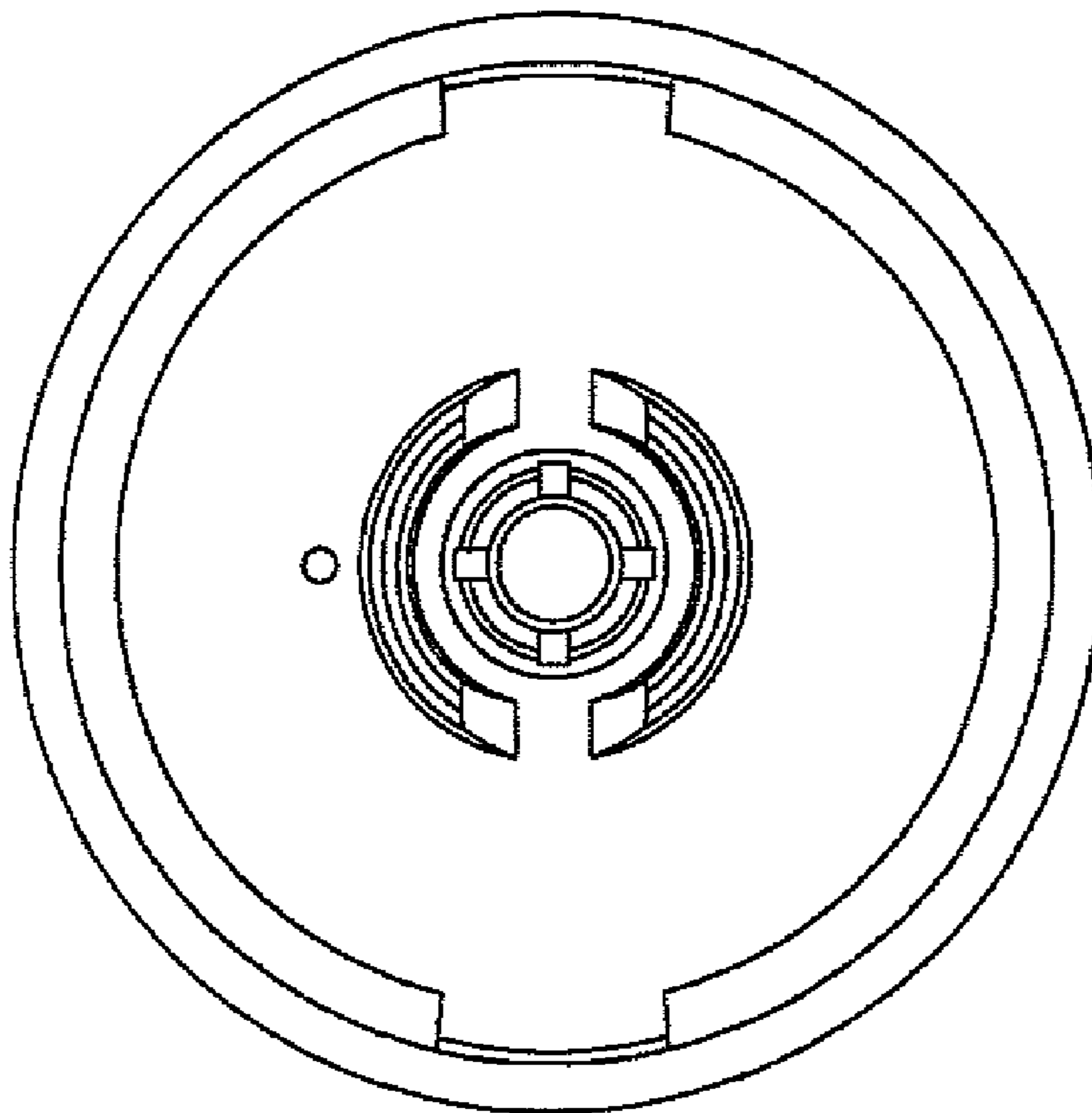


FIG. 5