



US00D582764S

(12) **United States Design Patent**
Green et al.

(10) **Patent No.:** **US D582,764 S**

(45) **Date of Patent:** **** Dec. 16, 2008**

(54) **SLOTTED PORTION OF A CONTAINER**

(75) Inventors: **Timothy L. Green**, Portland, MI (US);
Chang Biao Chai, Shanghai (CN)

(73) Assignee: **Access Business Group International, LLC**, Ada, MI (US)

(**) Term: **14 Years**

(21) Appl. No.: **29/282,324**

(22) Filed: **Jul. 17, 2007**

(51) **LOC (8) Cl.** **09-07**

(52) **U.S. Cl.** **D9/434; D9/418**

(58) **Field of Classification Search** D9/734,
D9/722, 652, 457, 454, 447, 443, 435, 434,
D9/432, 430, 418, 415, 414; D8/367, 300;
D6/515; D20/40, 27, 22, 11, 10; D14/495,
D14/491, 489, 488, 487; D11/95, 84, 83,
D11/81, 241, 240, 238, 225, 224, 223, 116;
294/158, 145; 221/63, 48, 305, 303; 229/117.23;
16/444

See application file for complete search history.

(56) **References Cited**

U.S. PATENT DOCUMENTS

D116,345 S *	8/1939	Lovejoy	D9/418
D134,733 S *	1/1943	Farrell	D9/418
2,433,587 A *	12/1947	Wentworth	221/63
D208,671 S *	9/1967	Lang	D9/734
D249,639 S *	9/1978	Hogg et al.	D9/415
D274,407 S *	6/1984	Rosenburg, Jr.	D9/418
D333,781 S *	3/1993	Kobel	D9/734
D379,759 S *	6/1997	Mulry	D9/418
D381,850 S *	8/1997	Alig et al.	D6/517
D403,576 S *	1/1999	Weiss	D9/734
D432,413 S *	10/2000	Owens	D9/418

D447,946 S *	9/2001	Tsuruishi et al.	D9/434
D502,621 S *	3/2005	Ho	D6/515
D508,849 S *	8/2005	Kumakura et al.	D9/430
D509,689 S *	9/2005	Ho	D6/515
D535,876 S *	1/2007	Le Bras	D9/434
D543,400 S *	5/2007	Ho	D6/515
2002/0108962 A1 *	8/2002	Mangin	221/63

* cited by examiner

Primary Examiner—Susan B Hattan

(74) *Attorney, Agent, or Firm*—Warner Norcross & Judd LLP

(57) **CLAIM**

The ornamental design for a slotted portion of a container, as shown and described.

DESCRIPTION

FIG. 1 is a perspective view of a slotted portion of a container in accordance with the present invention;

FIG. 2 is a front view thereof;

FIG. 3 right side view thereof;

FIG. 4 is a rear view thereof;

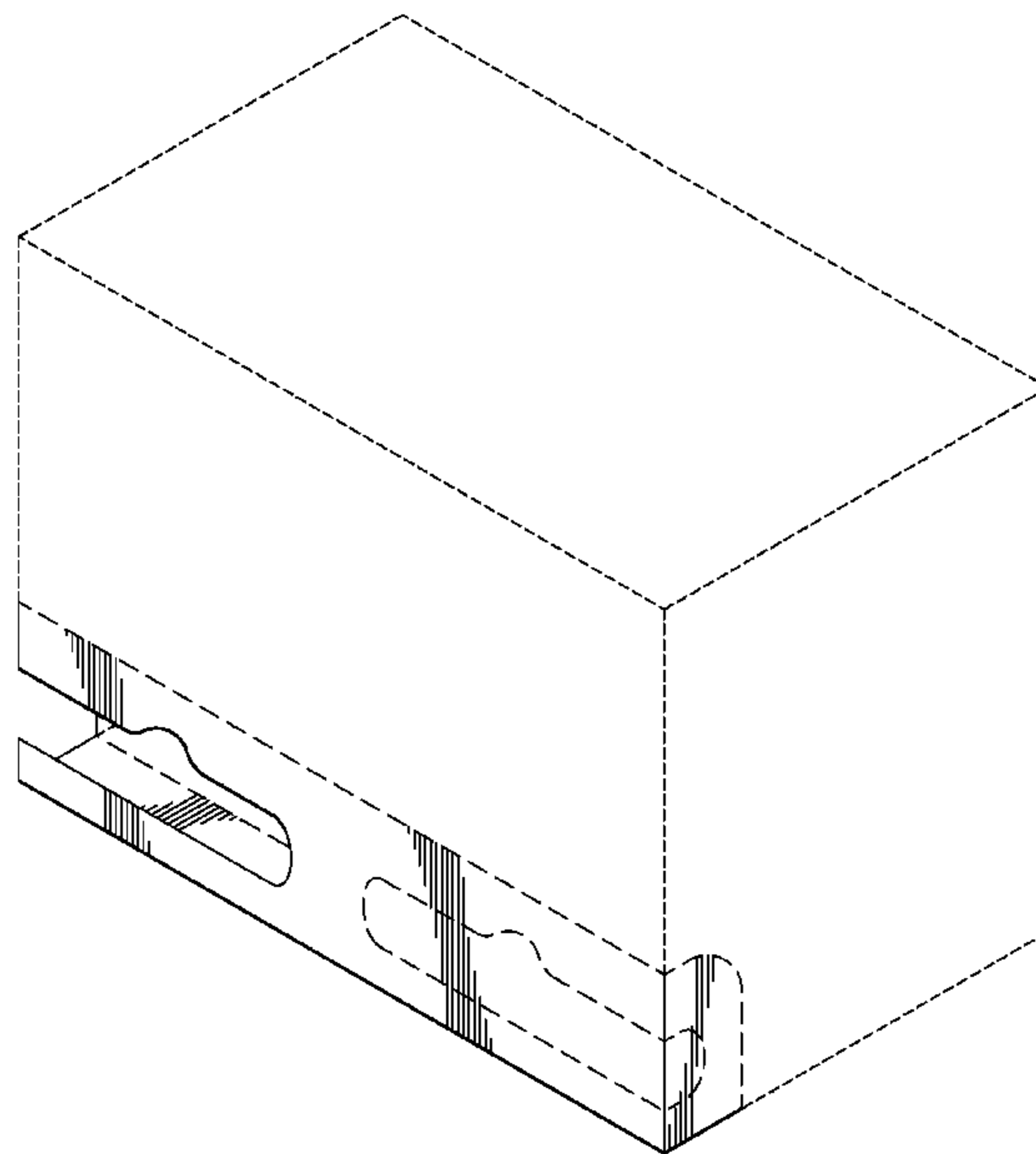
FIG. 5 is a left side view thereof;

FIG. 6 is a top view thereof; and,

FIG. 7 is a bottom view thereof.

In FIGS. 1 through 7, the portions shown in short dashed lines forming the outline of a container depict environmental subject matter; in FIGS. 1, 2, 3, 5, and 7, the portions shown in long dashed lines immediately adjacent to and forming the perimeter of all the shaded areas represent the bounds of the claimed design; in FIGS. 1, 2 and 3, the portions shown in long dashed lines within the claimed area depict environmental subject matter. None of the broken lines form a part of the claimed design.

1 Claim, 5 Drawing Sheets



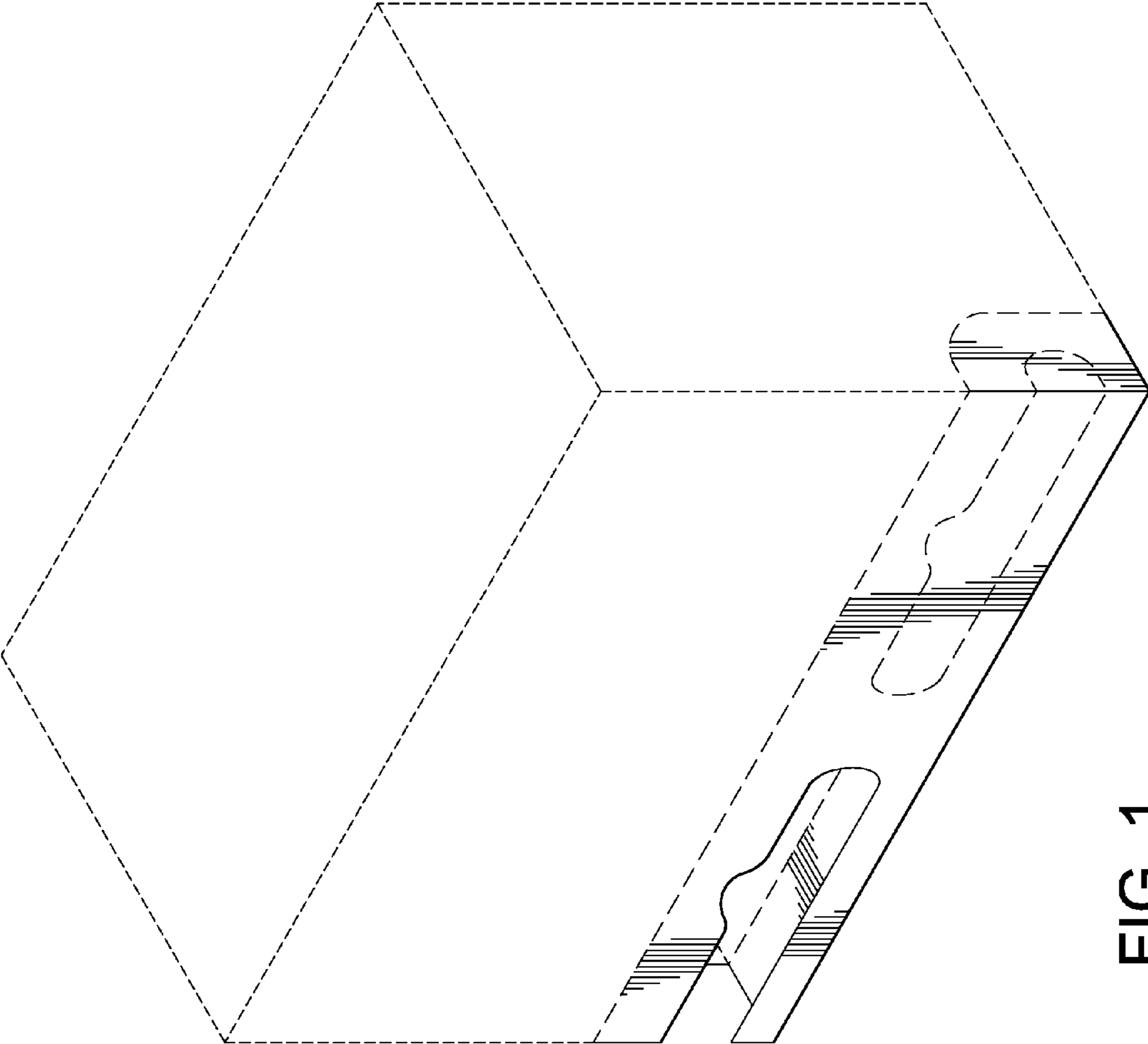


FIG. 1

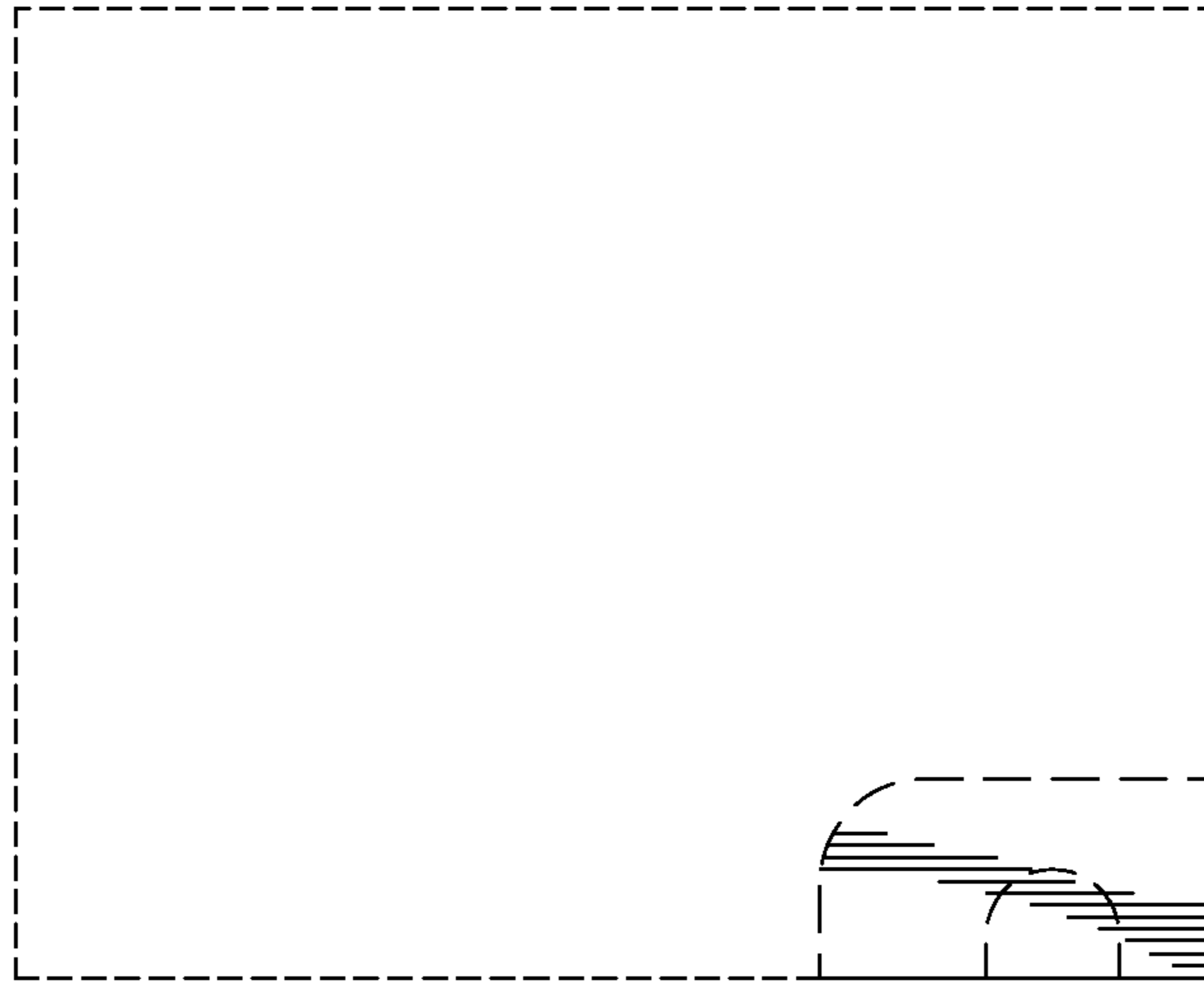


FIG. 3

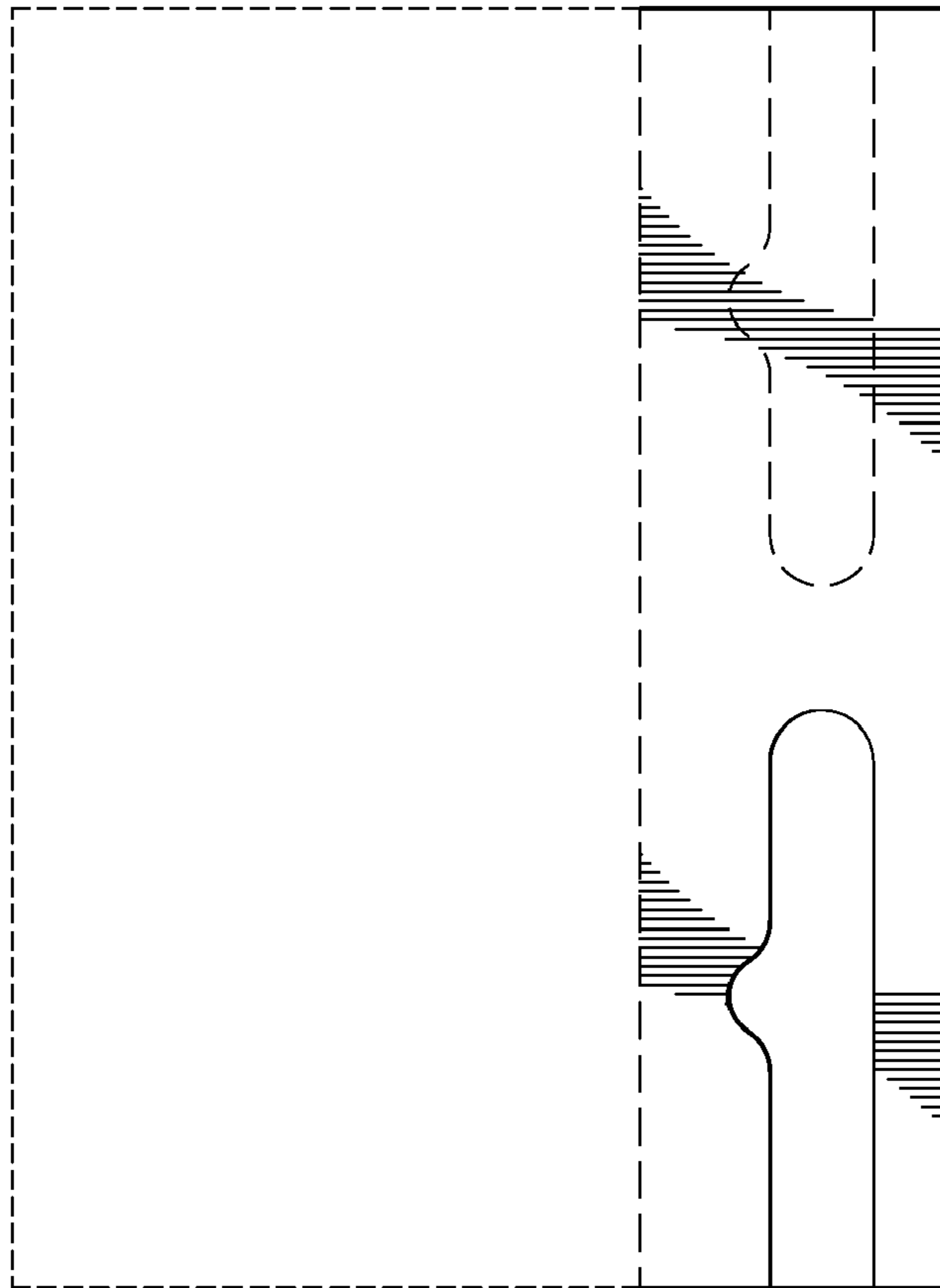


FIG. 2

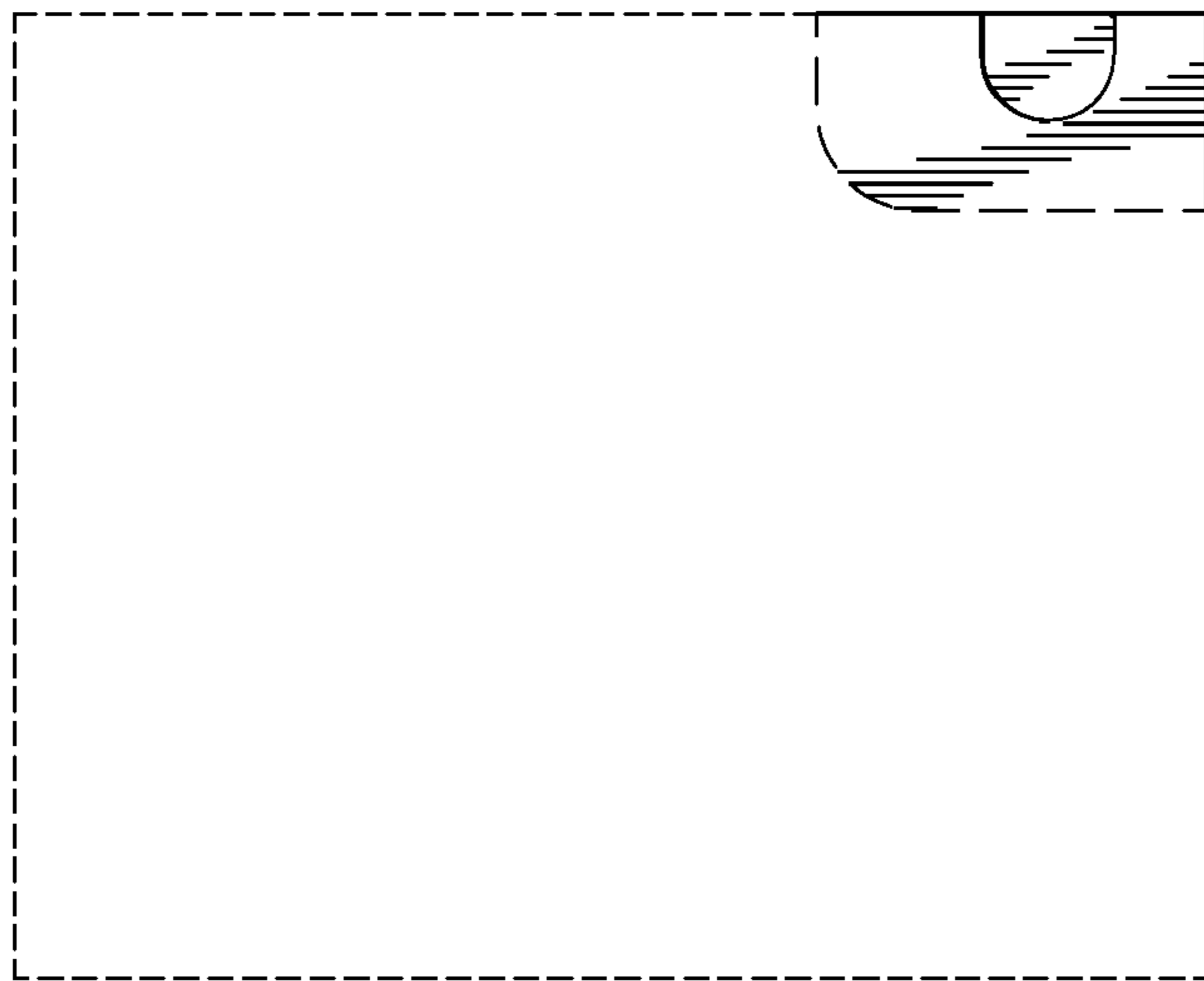


FIG. 5

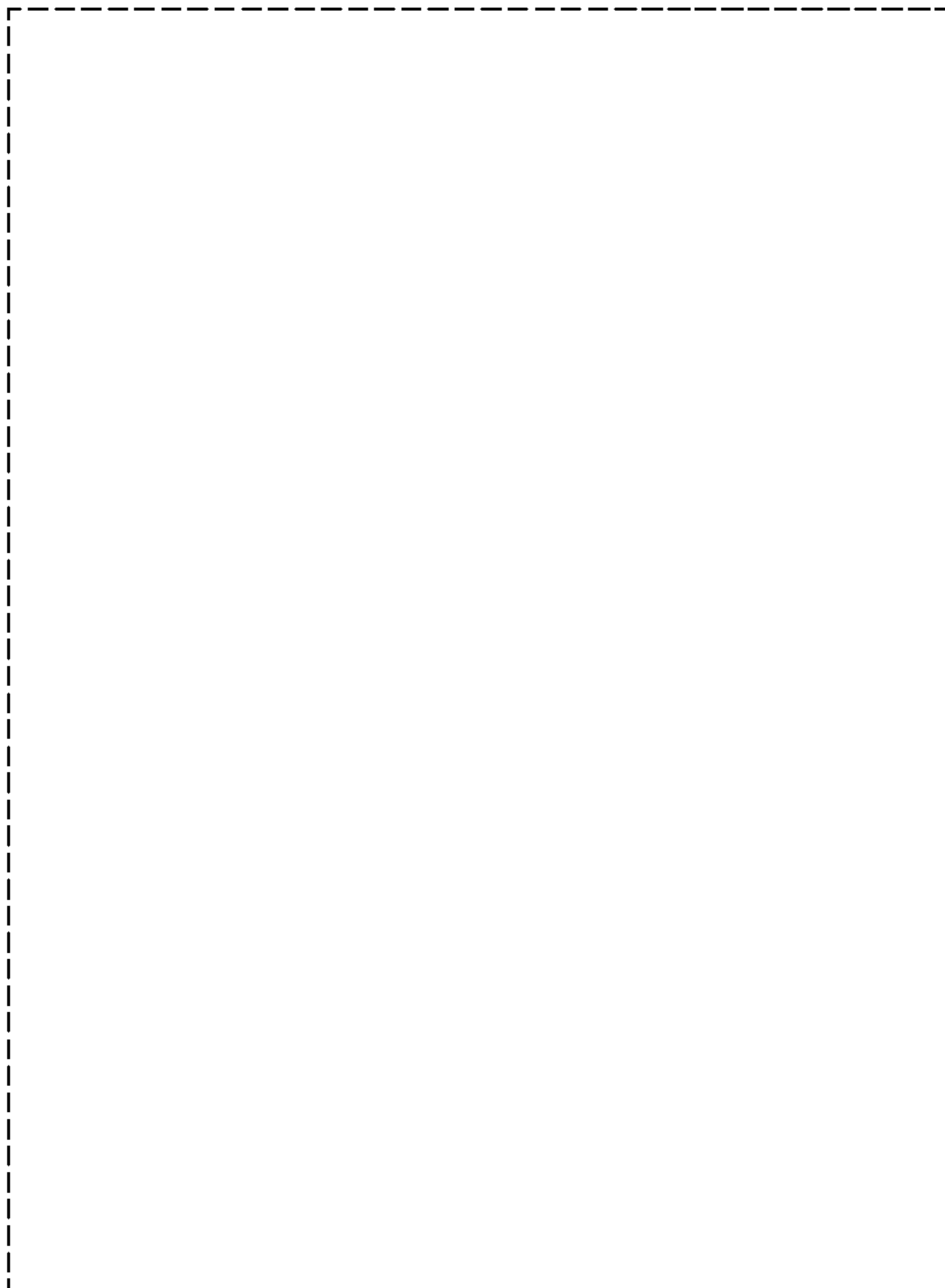


FIG. 4

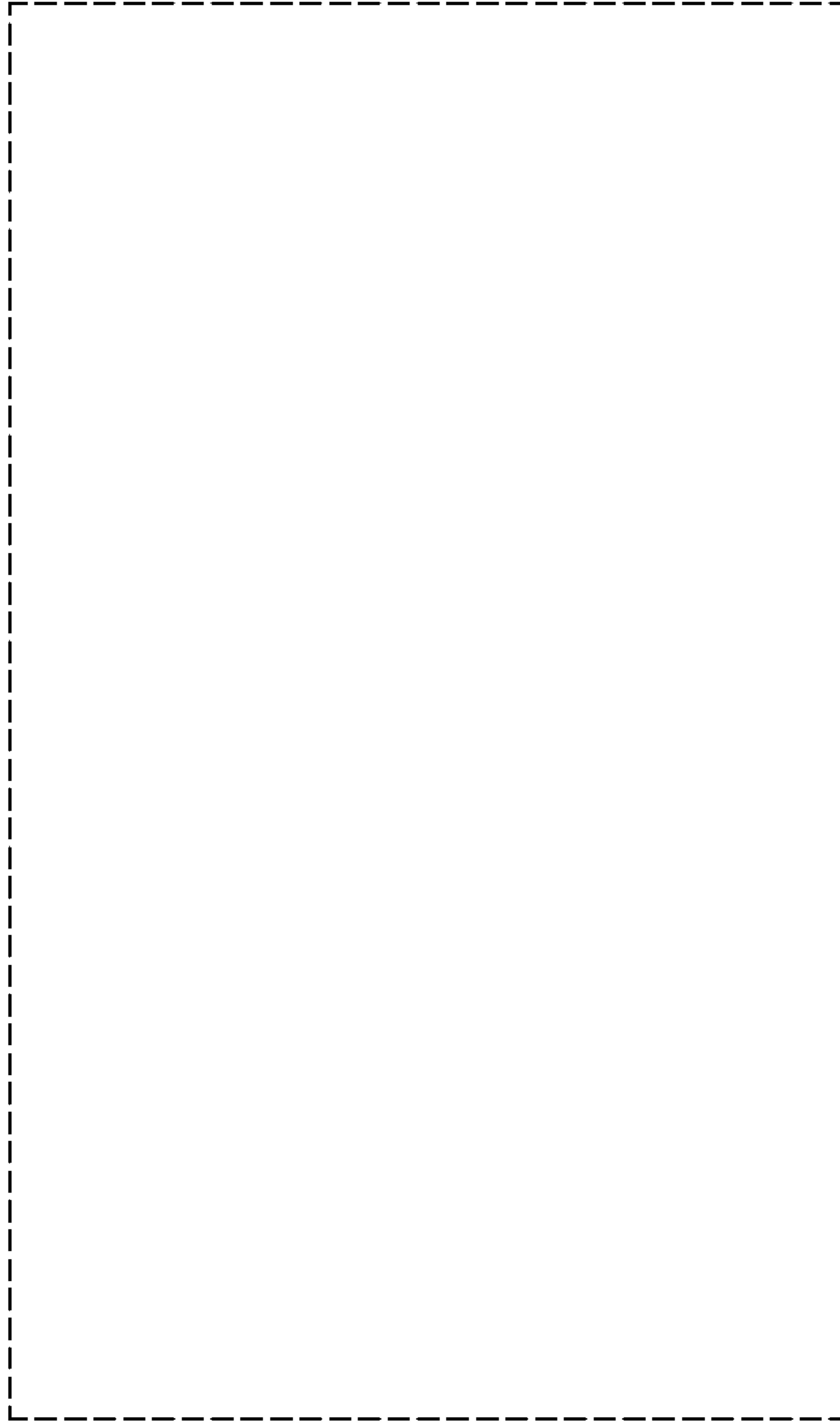


FIG. 6

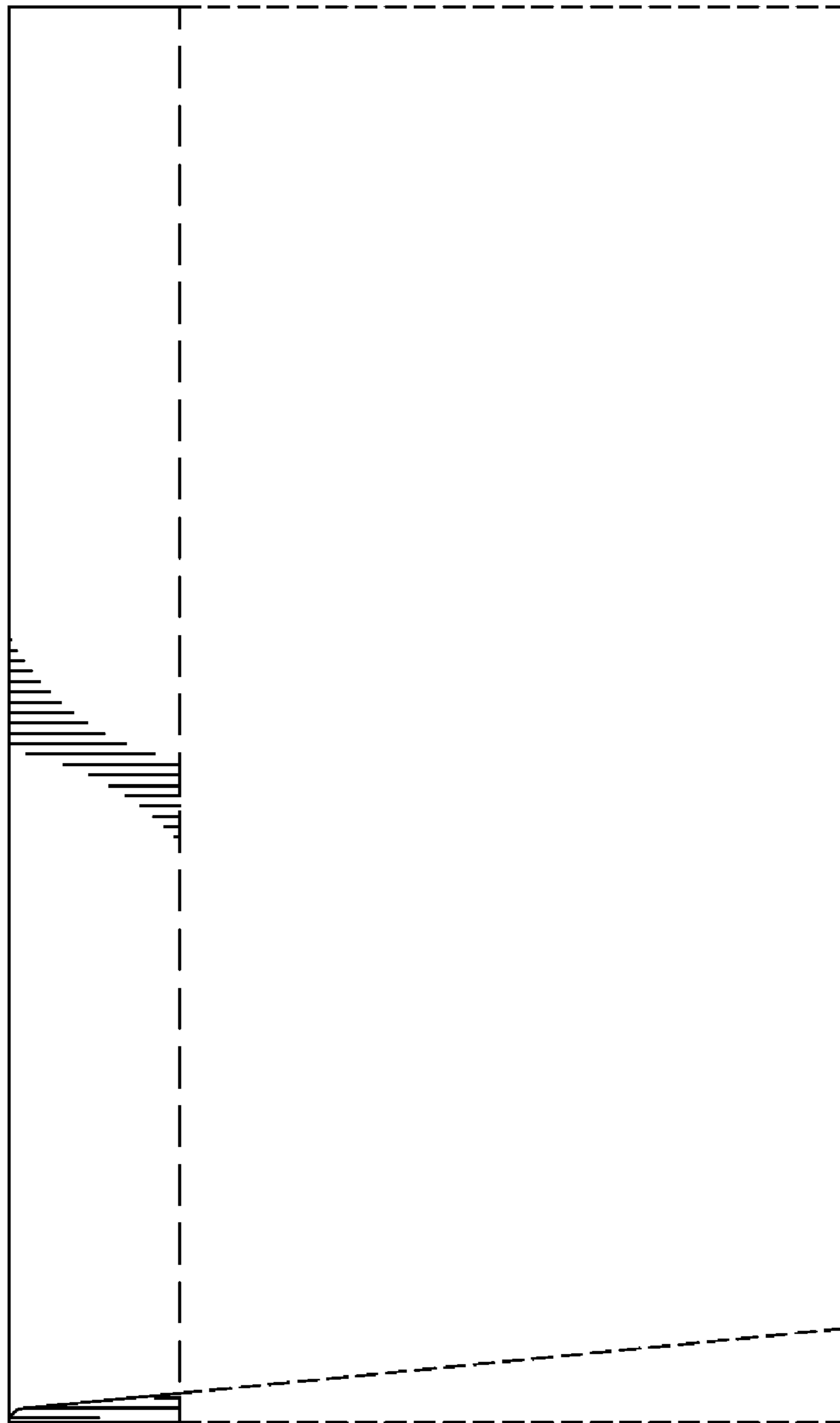


FIG. 7