



US00D582761S

(12) **United States Design Patent**
Goodman et al.

(10) **Patent No.:** **US D582,761 S**
(45) **Date of Patent:** **** Dec. 16, 2008**

(54) **HOOK RACK**

(75) Inventors: **Sheldon H. Goodman**, Solon, OH (US);
Kent W. Murphy, Wooster, OH (US)

(73) Assignee: **Spectrum Diversified Designs, Inc.**,
Streetsboro, OH (US)

(**) Term: **14 Years**

(21) Appl. No.: **29/296,219**

(22) Filed: **Oct. 16, 2007**

Related U.S. Application Data

(62) Division of application No. 29/251,881, filed on Jan. 13, 2006, now Pat. No. Des. 558,565.

(51) **LOC (8) Cl.** **08-05**

(52) **U.S. Cl.** **D8/372**

(58) **Field of Classification Search** D8/370,
D8/371, 372, 373; 248/303, 227.4; D6/315,
D6/320, 323, 566, 567, 569; 211/30, 31,
211/34, 35, 86, 87, 106
See application file for complete search history.

(56) **References Cited**

U.S. PATENT DOCUMENTS

520,214 A 5/1894 Naumann
D291,154 S 8/1987 Owen
D294,791 S 3/1988 Loscalzo et al.
D294,792 S 3/1988 Zimmerman

D437,208 S 2/2001 Snell
D464,871 S 10/2002 Kalat
D494,048 S 8/2004 Goodman et al.
D544,279 S 6/2007 Kivett et al.
D555,366 S * 11/2007 Goodman et al. D6/323
D555,463 S * 11/2007 Goodman et al. D8/372
D559,089 S * 1/2008 Goodman et al. D8/372
D561,013 S * 2/2008 Goodman et al. D8/372
D566,405 S * 4/2008 Belokin D6/315
D568,725 S * 5/2008 Snider D8/372
D571,193 S * 6/2008 Goodman et al. D8/372

* cited by examiner

Primary Examiner—T. Chase Nelson

Assistant Examiner—Barbara B Lohr

(74) *Attorney, Agent, or Firm*—Pearne & Gordon LLP

(57) **CLAIM**

The ornamental design for a hook rack, as shown and described.

DESCRIPTION

FIG. 1 is a perspective view of the hook rack;

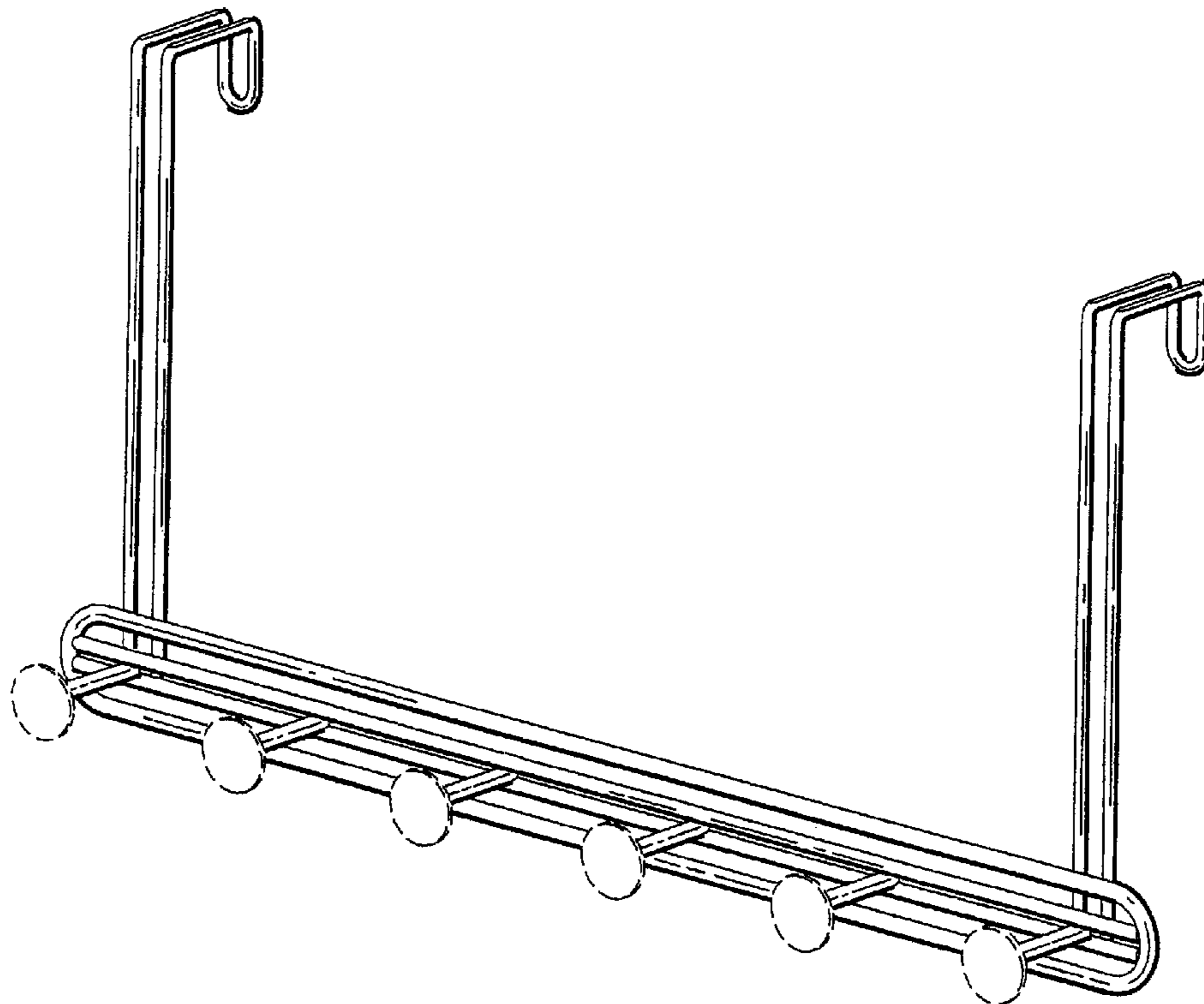
FIG. 2 is a front elevational view thereof;

FIG. 3 is a top plan view thereof; and,

FIG. 4 is a side elevational view thereof.

The broken lines depict portions of the design that form no part of the claim.

1 Claim, 2 Drawing Sheets



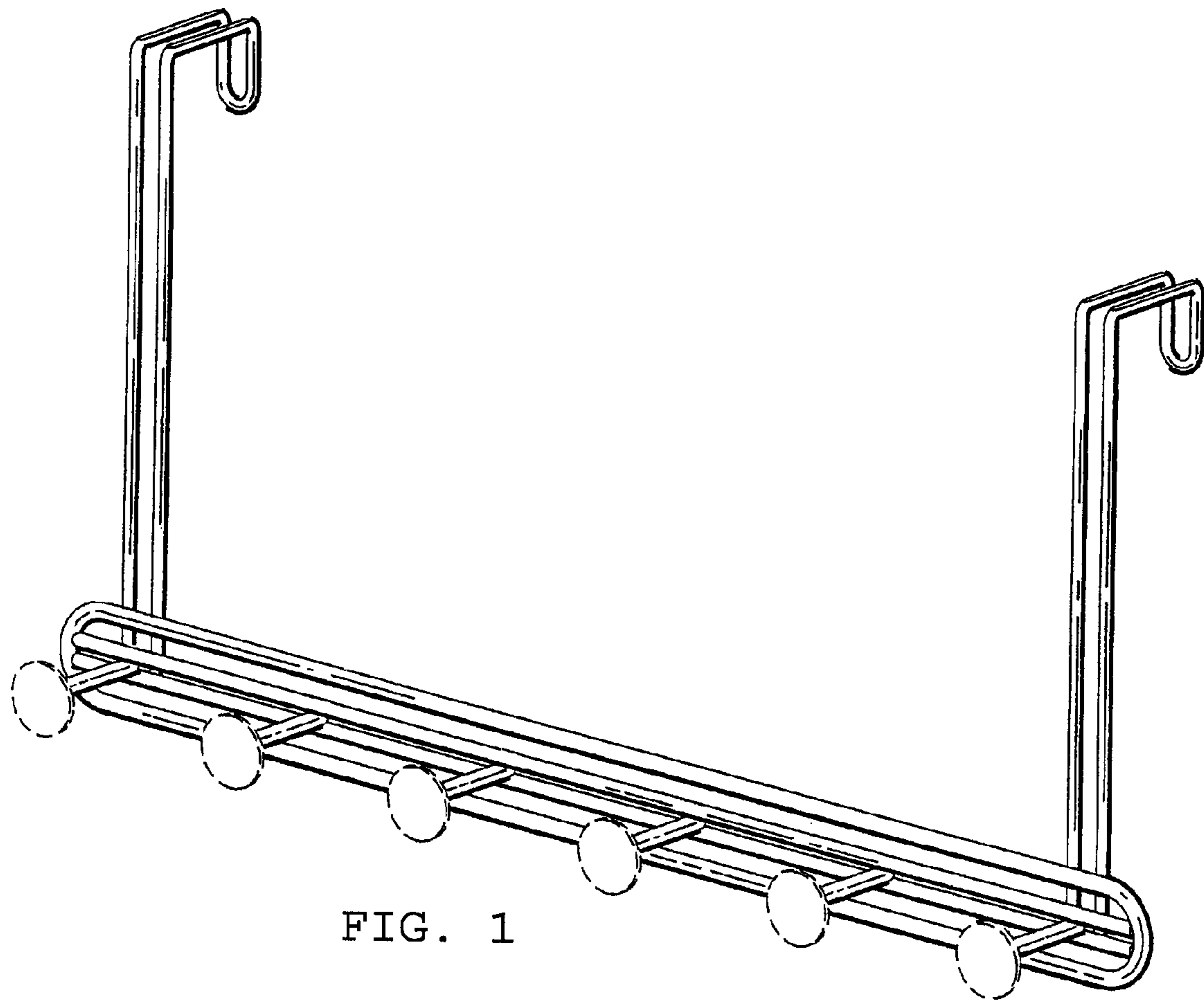


FIG. 1

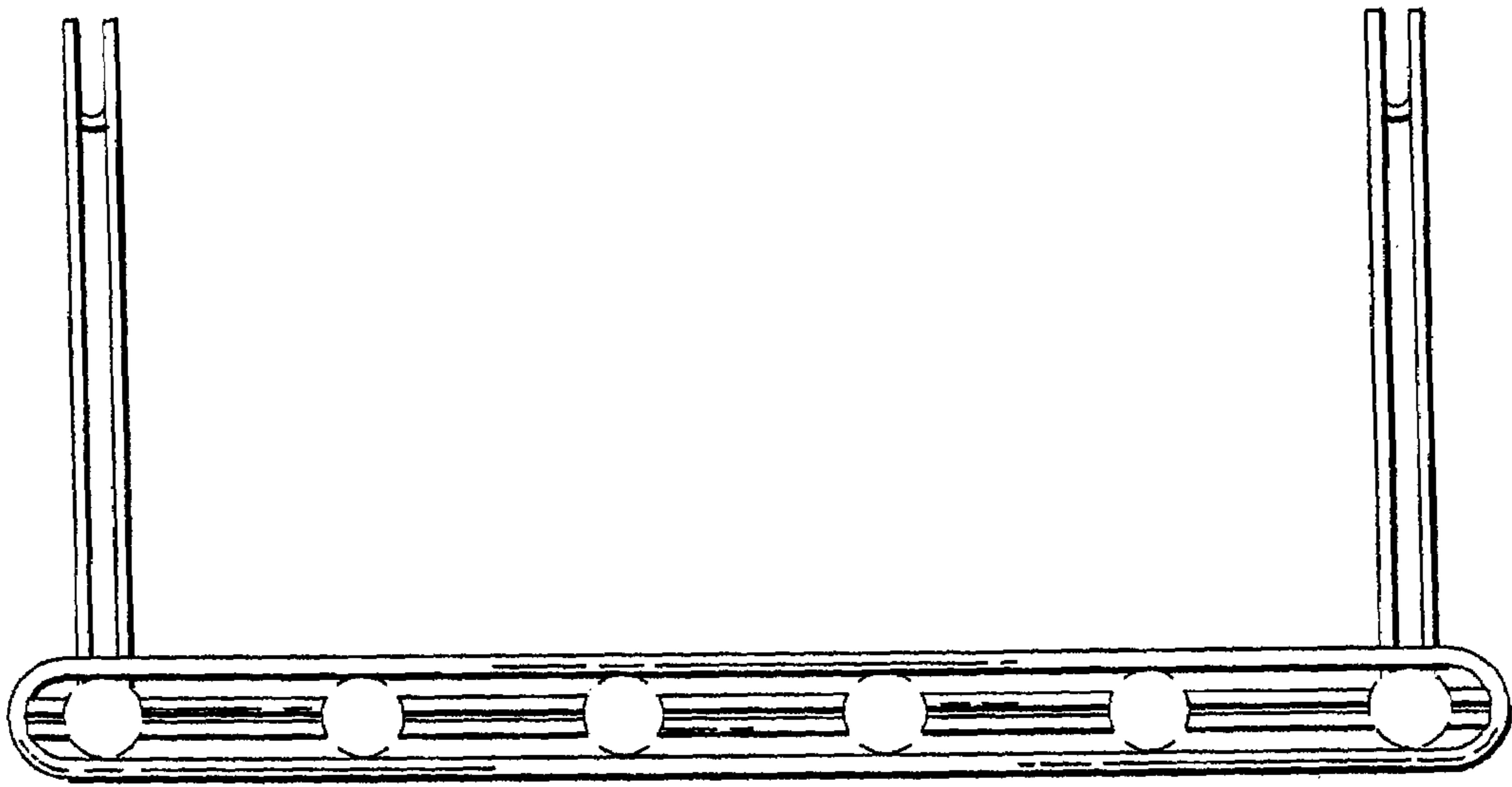


FIG. 2

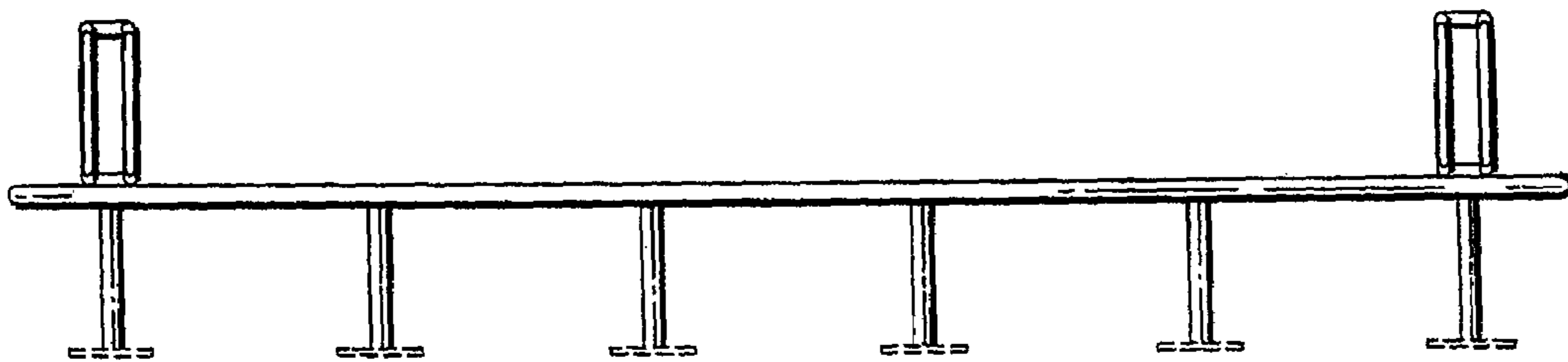


FIG. 3

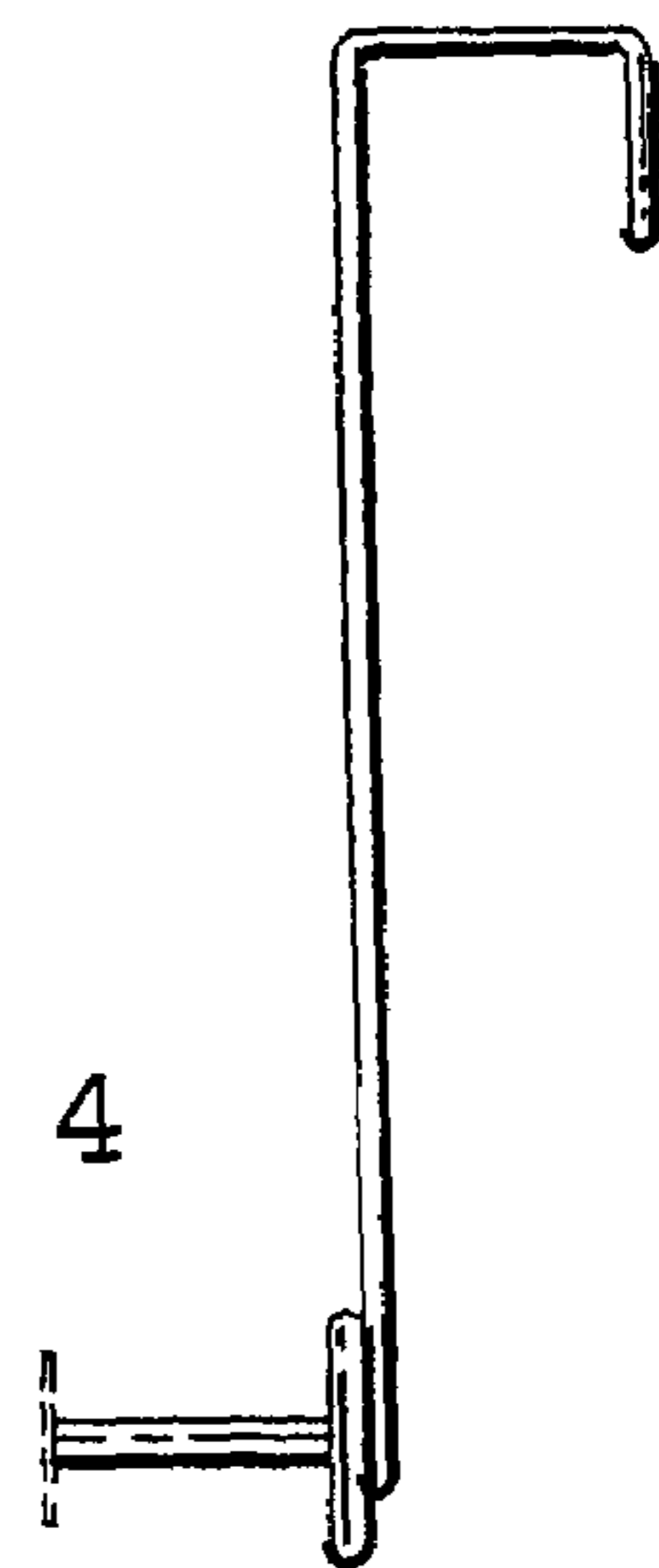


FIG. 4