



US00D582756S

(12) **United States Design Patent**
Anderson et al.

(10) **Patent No.:** **US D582,756 S**

(45) **Date of Patent:** **** *Dec. 16, 2008**

(54) **HOSE REEL ENCLOSURE**

(75) Inventors: **Torrence Anderson**, Overland Park, KS (US); **Robert Kopp**, Wheaton, IL (US)

(73) Assignee: **Suncast Corporation**, Batavia, IL (US)

(*) Notice: This patent is subject to a terminal disclaimer.

(**) Term: **14 Years**

(21) Appl. No.: **29/243,434**

(22) Filed: **Nov. 23, 2005**

(51) **LOC (8) Cl.** **08-05**

(52) **U.S. Cl.** **D8/359**

(58) **Field of Classification Search** D34/12-27;
D8/359; 137/355.26, 355.27; 206/389; 242/397.5
See application file for complete search history.

(56) **References Cited**

U.S. PATENT DOCUMENTS

1,537,637	A *	5/1925	Jarvis	137/355.12
4,238,074	A *	12/1980	Coons	239/745
5,758,685	A *	6/1998	Tisbo et al.	137/355.27
5,988,552	A *	11/1999	Tisbo et al.	242/403.1
D418,739	S *	1/2000	Whitehead et al.	D8/359

D432,002	S *	10/2000	Anderson et al.	D8/359
D448,652	S *	10/2001	Spear et al.	D8/359
6,591,858	B2 *	7/2003	Peterson	137/355.23
D478,803	S *	8/2003	Markley	D8/359
6,877,687	B2 *	4/2005	Moon et al.	242/390.8
D506,123	S *	6/2005	English et al.	D8/358
6,913,221	B2 *	7/2005	Moon et al.	242/390.8
2004/0046078	A1 *	3/2004	Moon et al.	242/390.8

* cited by examiner

Primary Examiner—Cynthia E Ramirez

(74) *Attorney, Agent, or Firm*—McHale & Slavin, P.A.

(57) **CLAIM**

The ornamental design for a hose reel enclosure, as shown and described.

DESCRIPTION

FIG. 1 is a perspective view of the hose enclosure of the instant invention;

FIG. 2 is a rear elevation view thereof;

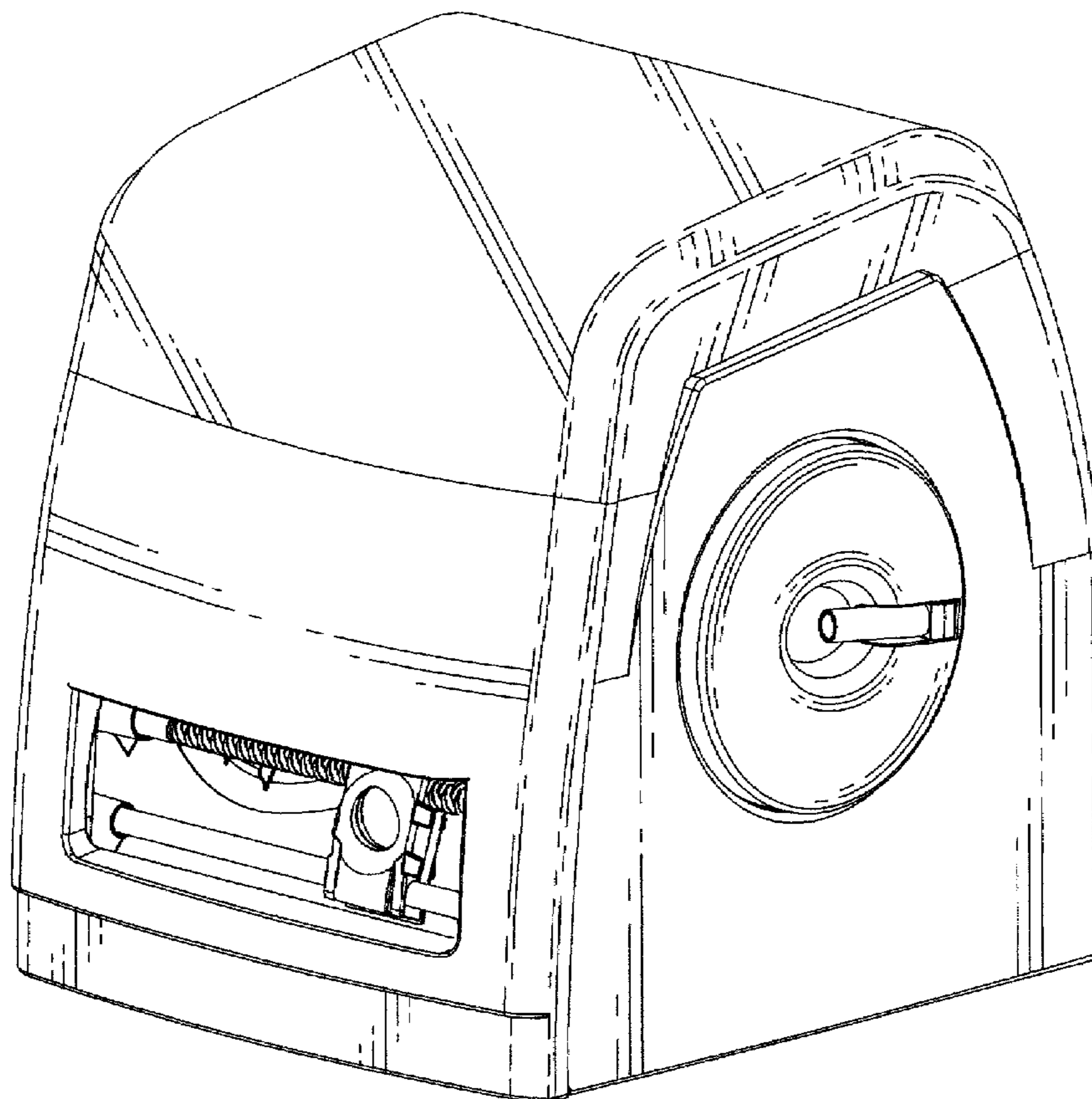
FIG. 3 is a front elevation view thereof;

FIG. 4 is a left side elevation view thereof;

FIG. 5 is a right side elevation view thereof; and,

FIG. 6 is a top view thereof.

1 Claim, 6 Drawing Sheets



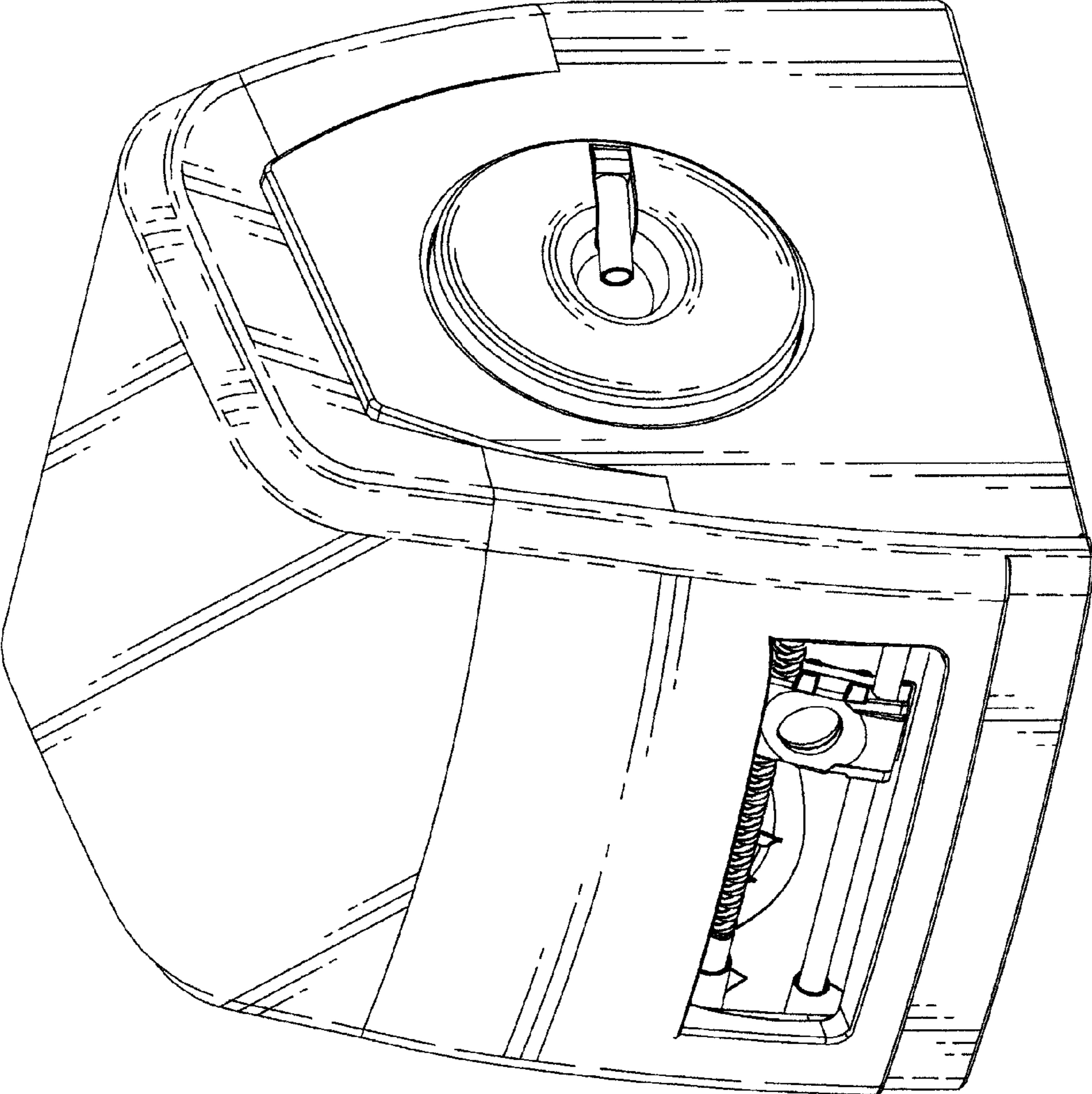


Figure 1

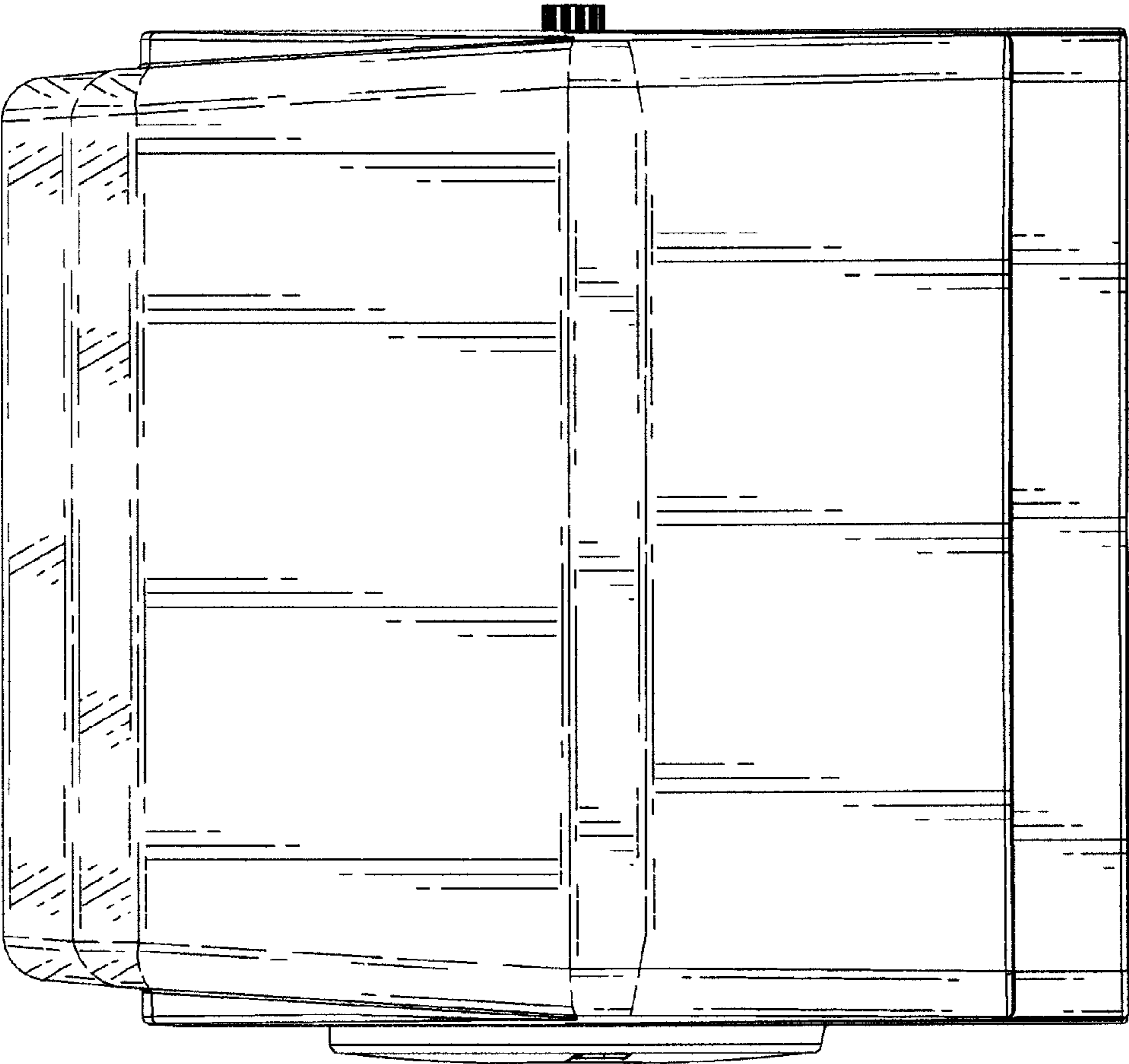


Figure 2

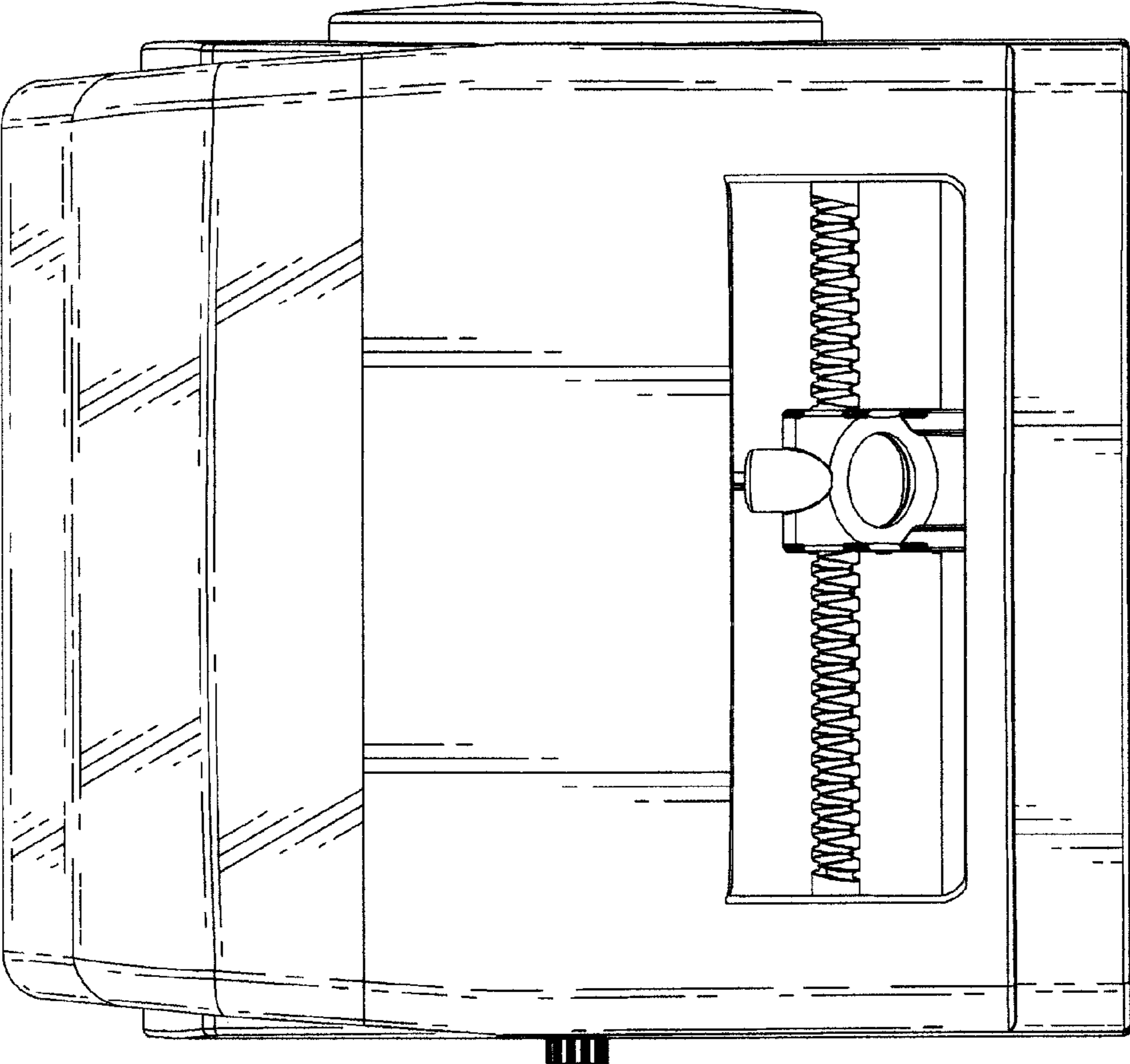


Figure 3

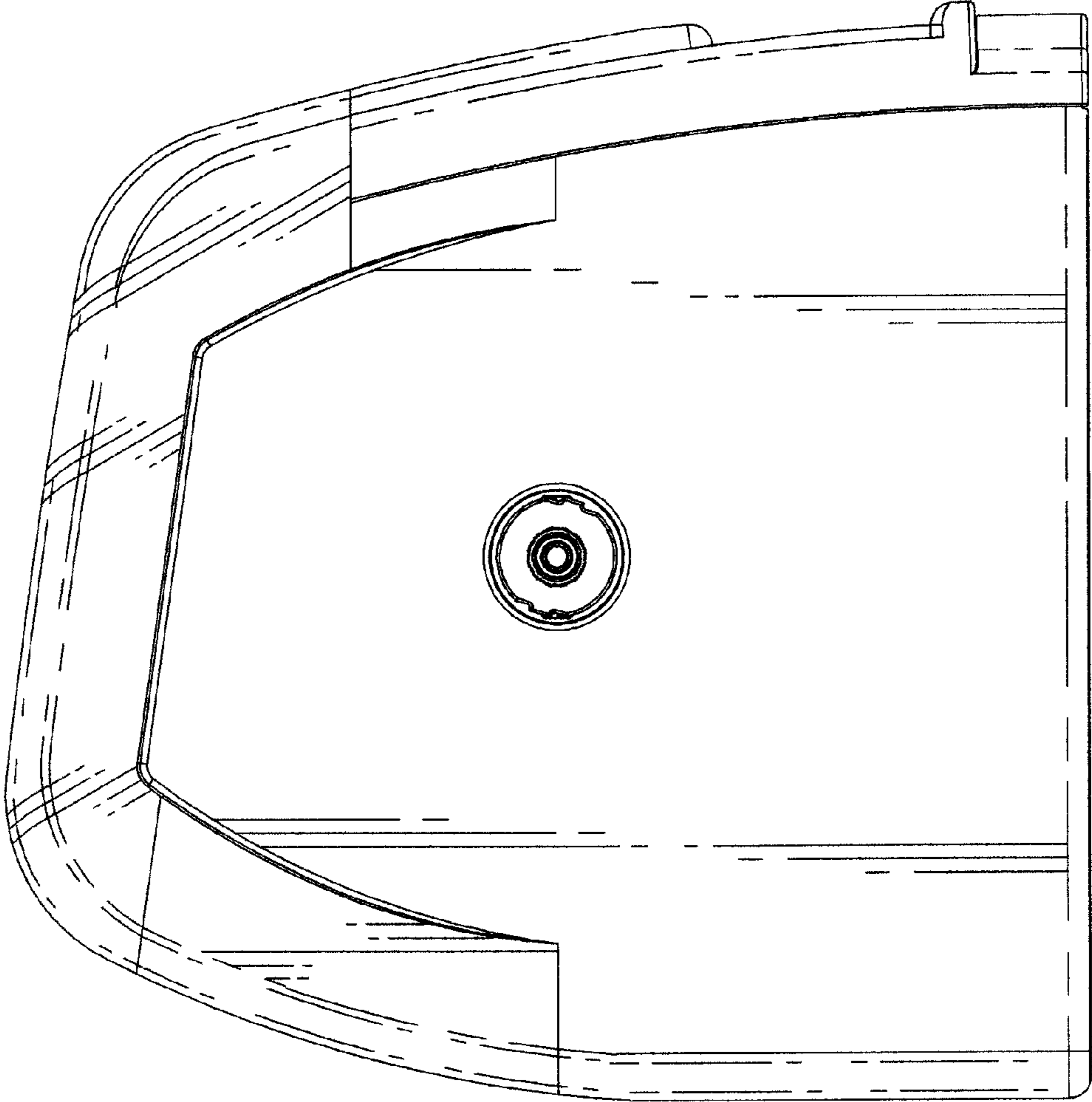


Figure 4

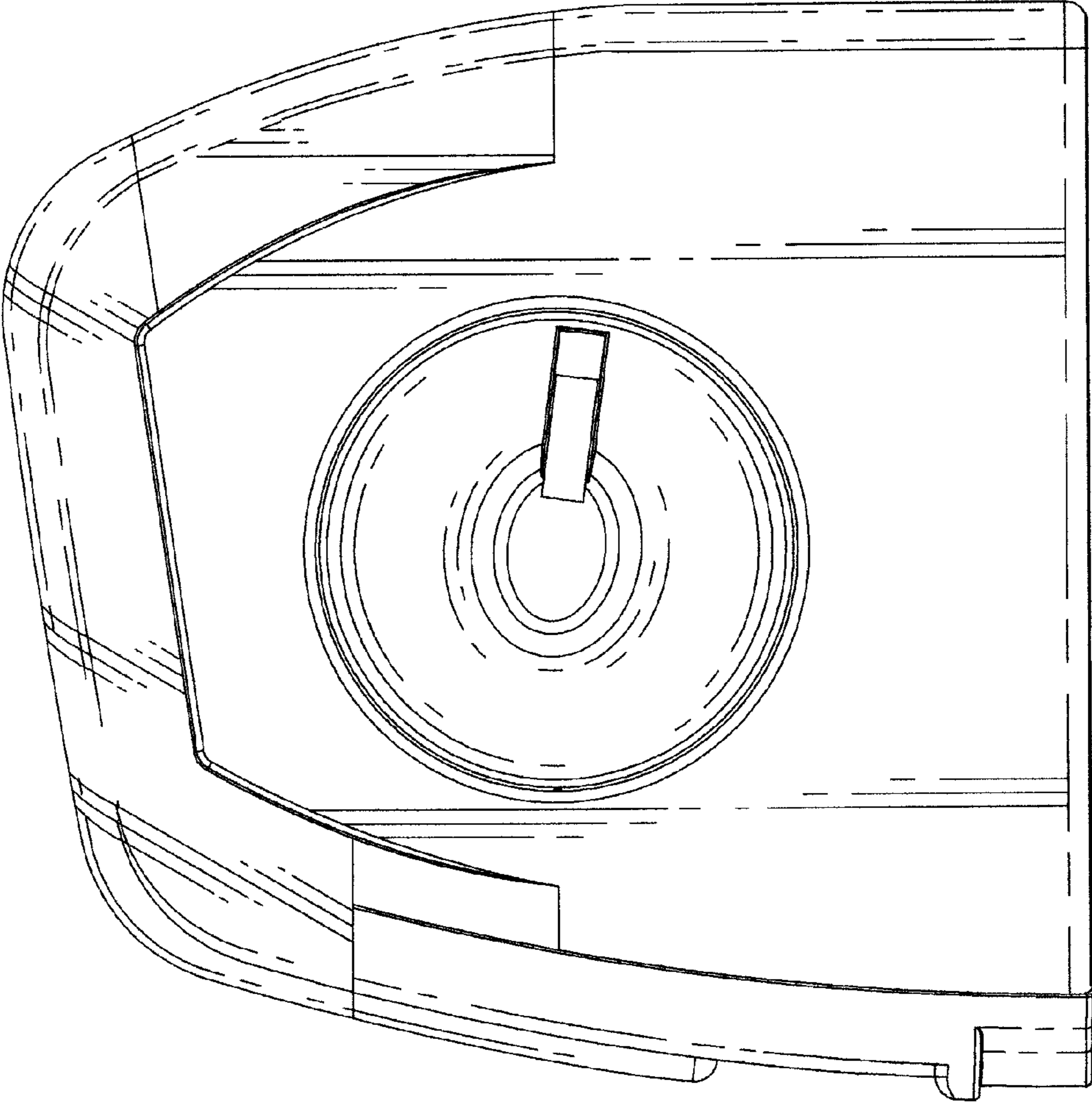


Figure 5

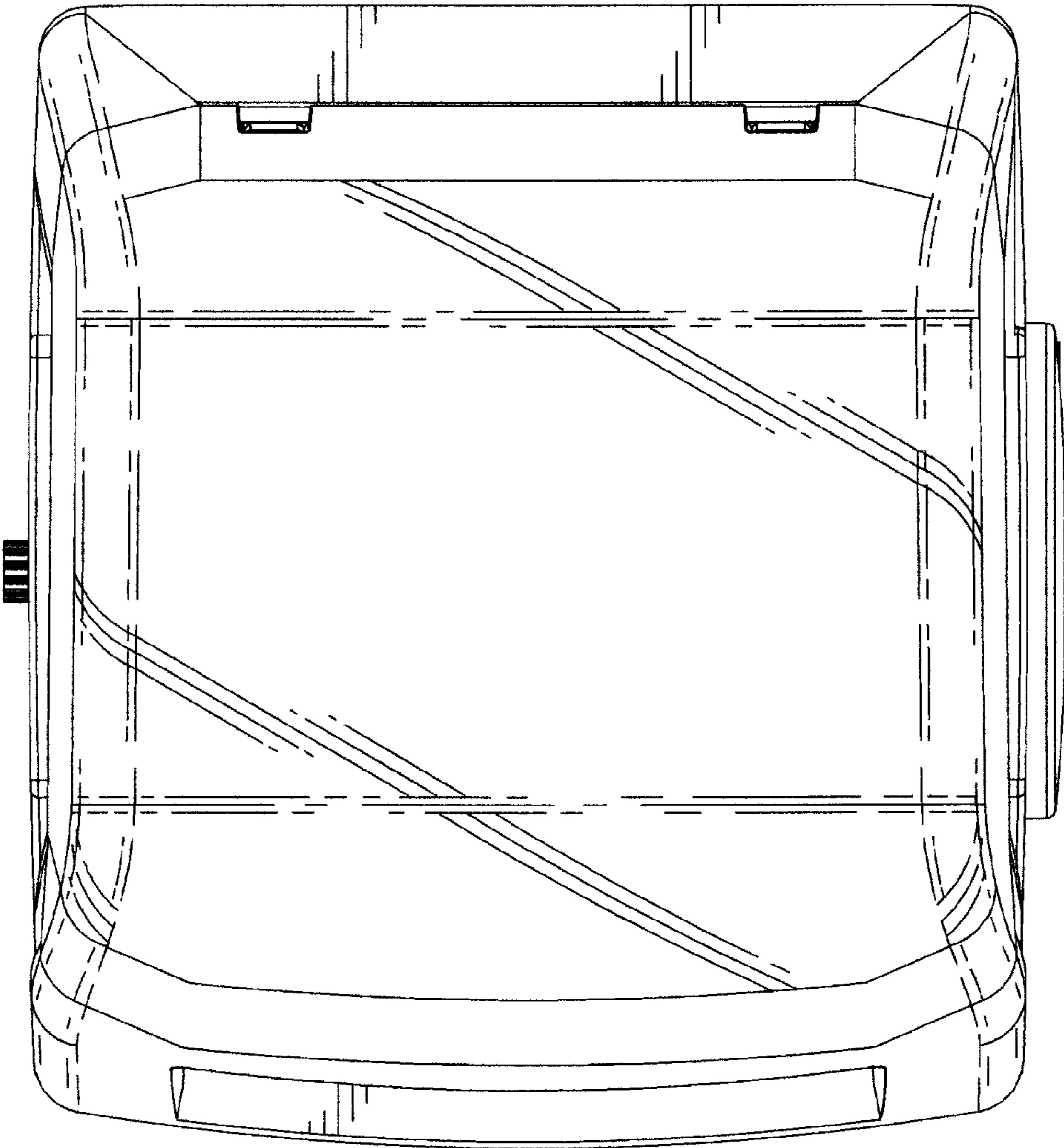


Figure 6