



US00D582755S

(12) **United States Design Patent**
Rogers et al.

(10) **Patent No.:** **US D582,755 S**

(45) **Date of Patent:** **** Dec. 16, 2008**

(54) **REEL**

(75) Inventors: **David J. Rogers**, Belchertown, MA (US); **Michael L. Donahue**, Belchertown, MA (US)

(73) Assignee: **Carris Reels, Inc.**, Rutland, VT (US)

(**) Term: **14 Years**

(21) Appl. No.: **29/320,955**

(22) Filed: **Jul. 8, 2008**

(51) **LOC (8) Cl.** **08-05**

(52) **U.S. Cl.** **D8/358; D8/359**

(58) **Field of Classification Search** D8/381, D8/380, 373, 363, 359, 358, 354, 350, 349; D34/17; D14/253; D13/154; D12/211; D10/72; 33/769; 248/264, 251, 916; 242/608.8, 242/608.4, 601, 600, 570, 395, 370; 137/355.27, 137/355.23; 104/113

See application file for complete search history.

(56) **References Cited**

U.S. PATENT DOCUMENTS

1,811,517	A *	6/1931	Mossberg	242/608.8
1,815,499	A *	7/1931	Decombe	242/608.4
2,990,133	A	6/1961	Tucker, Jr.		
3,565,363	A	2/1971	Mizuguchi		
D222,661	S *	11/1971	Nichols	D8/358
3,665,588	A	5/1972	Mizuguchi		
3,942,741	A	3/1976	Hussar		
D301,866	S *	6/1989	Chapman et al.	D12/211
4,895,316	A	1/1990	Salloum		
5,004,179	A	4/1991	Salloum		
5,169,086	A	12/1992	Vesely		
D422,197	S *	4/2000	Kovacik et al.	D8/359
D432,396	S	10/2000	Barthel		
D437,207	S *	2/2001	Bumgarner et al.	D8/358
6,186,433	B1 *	2/2001	Kovacik et al.	242/395
D478,498	S *	8/2003	Ito et al.	D8/358

6,991,197	B2	1/2006	Cox		
D545,561	S	7/2007	Vandecasteele		
D557,118	S *	12/2007	Linginfelter et al.	D8/358
7,364,113	B2	4/2008	Ripplinger		
2003/0189128	A1	10/2003	Soepnel		

OTHER PUBLICATIONS

Cumberland Wood Products, Inc., Colibri Reels, <http://www.reelin-novation.com/catalog/cat10.htm> (last viewed Apr. 22, 2008).
EconoReel Corp., <http://www.enonoreel.com/index.htm> (last viewed Apr. 21, 2008).
EconoReel Corp., <http://www.enonoreel.com/technology2.htm> (last viewed Apr. 21, 2008).
EconoReel Corp., <http://www.enonoreel.com/aboutus2.htm> (last viewed Apr. 21, 2008).

* cited by examiner

Primary Examiner—Susan B Hattan

(74) *Attorney, Agent, or Firm*—Brian M. Dingman; Kathryn V. Chelini; Mirick, O’Connell, Demallie & Lougee

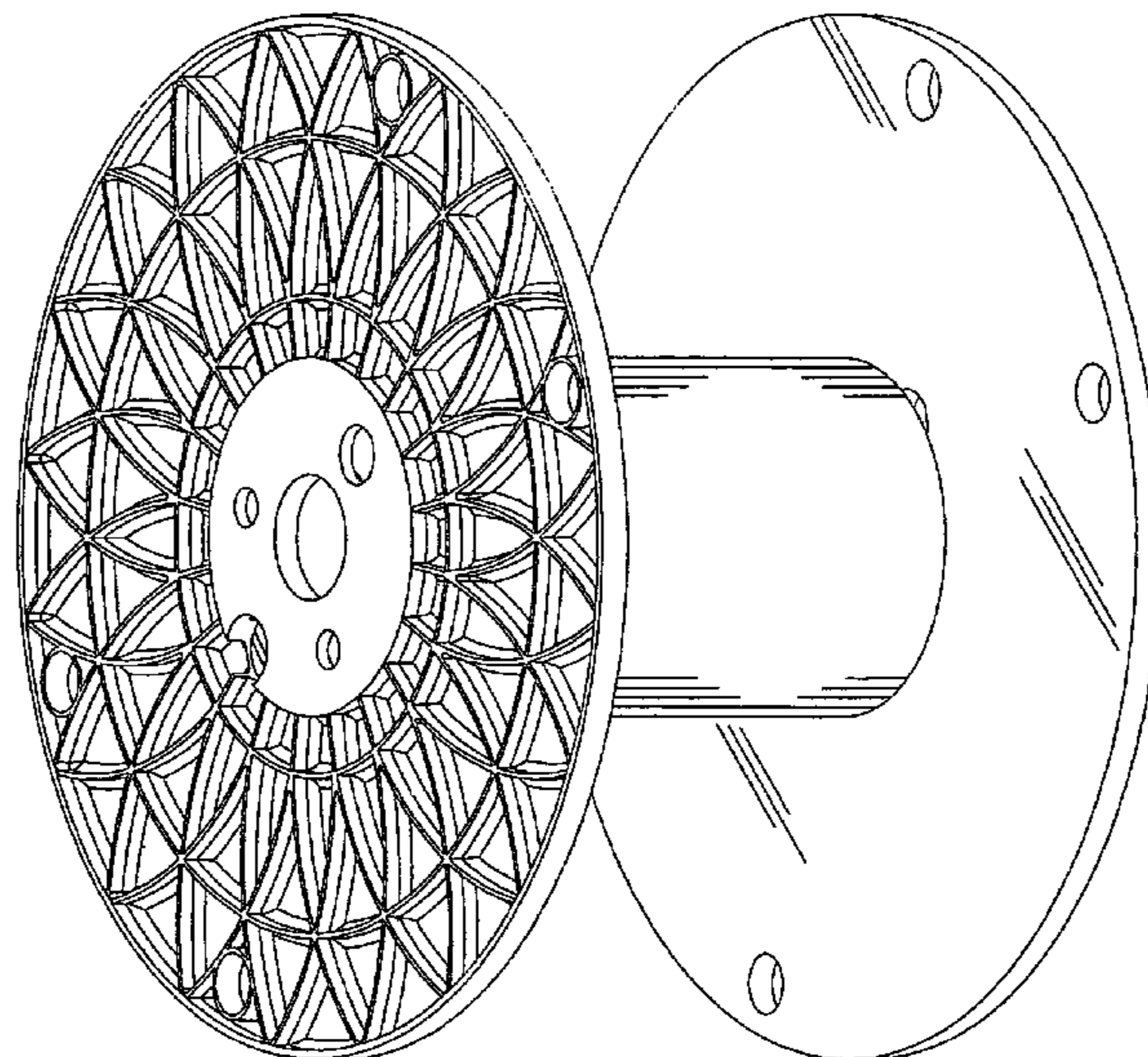
(57) **CLAIM**

The ornamental design for a reel, as shown and described.

DESCRIPTION

FIG. 1 is a perspective view of the reel of the invention;
FIG. 2 is a left side view of the reel of FIG. 1, the right side view being identical thereto;
FIG. 3 is a front side view of the reel of FIG. 1, the rear side view being identical thereto;
FIG. 4 is a perspective view of a second embodiment of the reel of the invention of FIG. 1;
FIG. 5 is a left side view of a second embodiment of the reel of the invention of FIG. 1, the right side view being identical thereto; and,
FIG. 6 is a front side view of a second embodiment of the reel of FIG. 1, the rear side view being identical thereto.

1 Claim, 6 Drawing Sheets



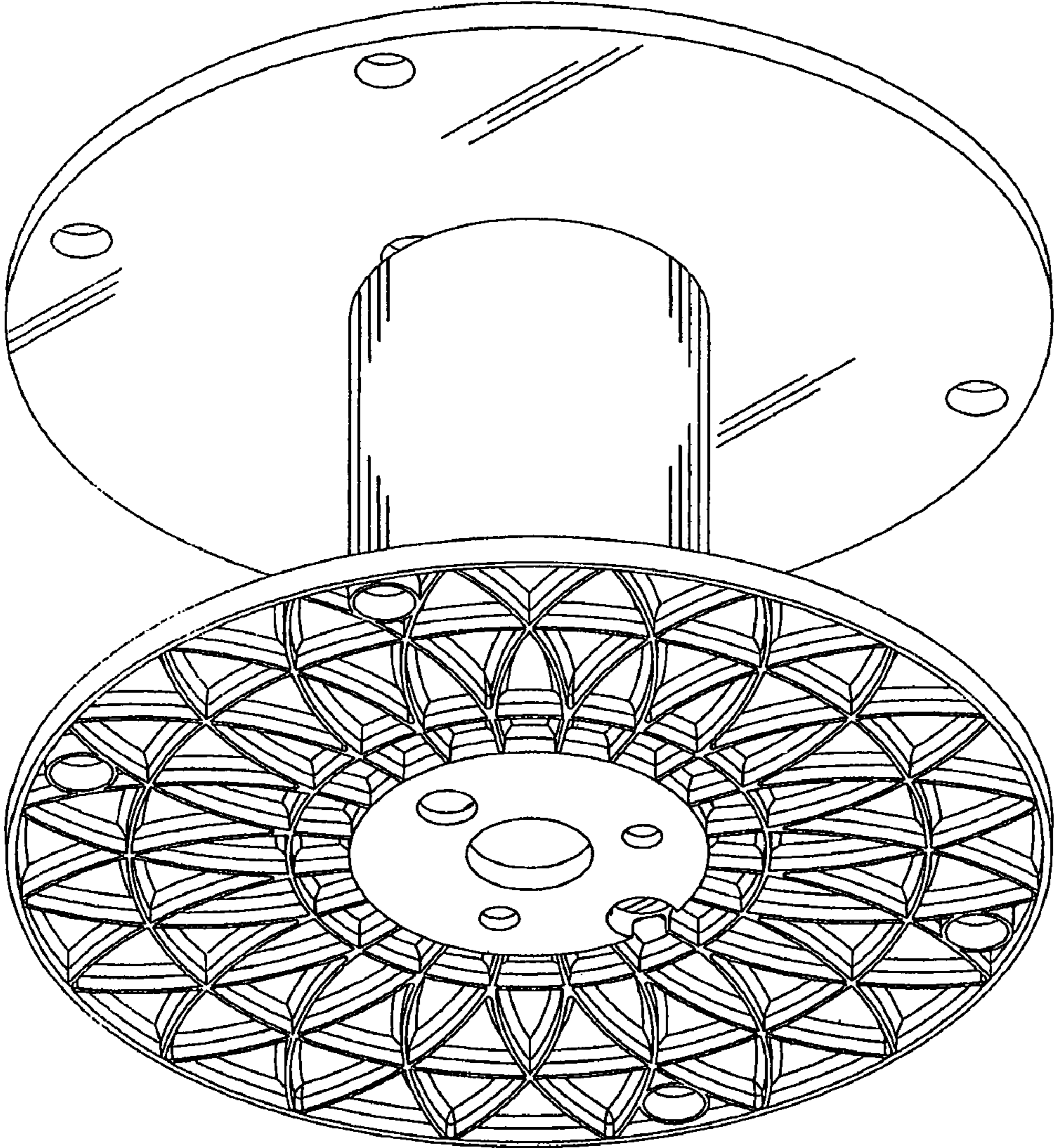


FIG. 1

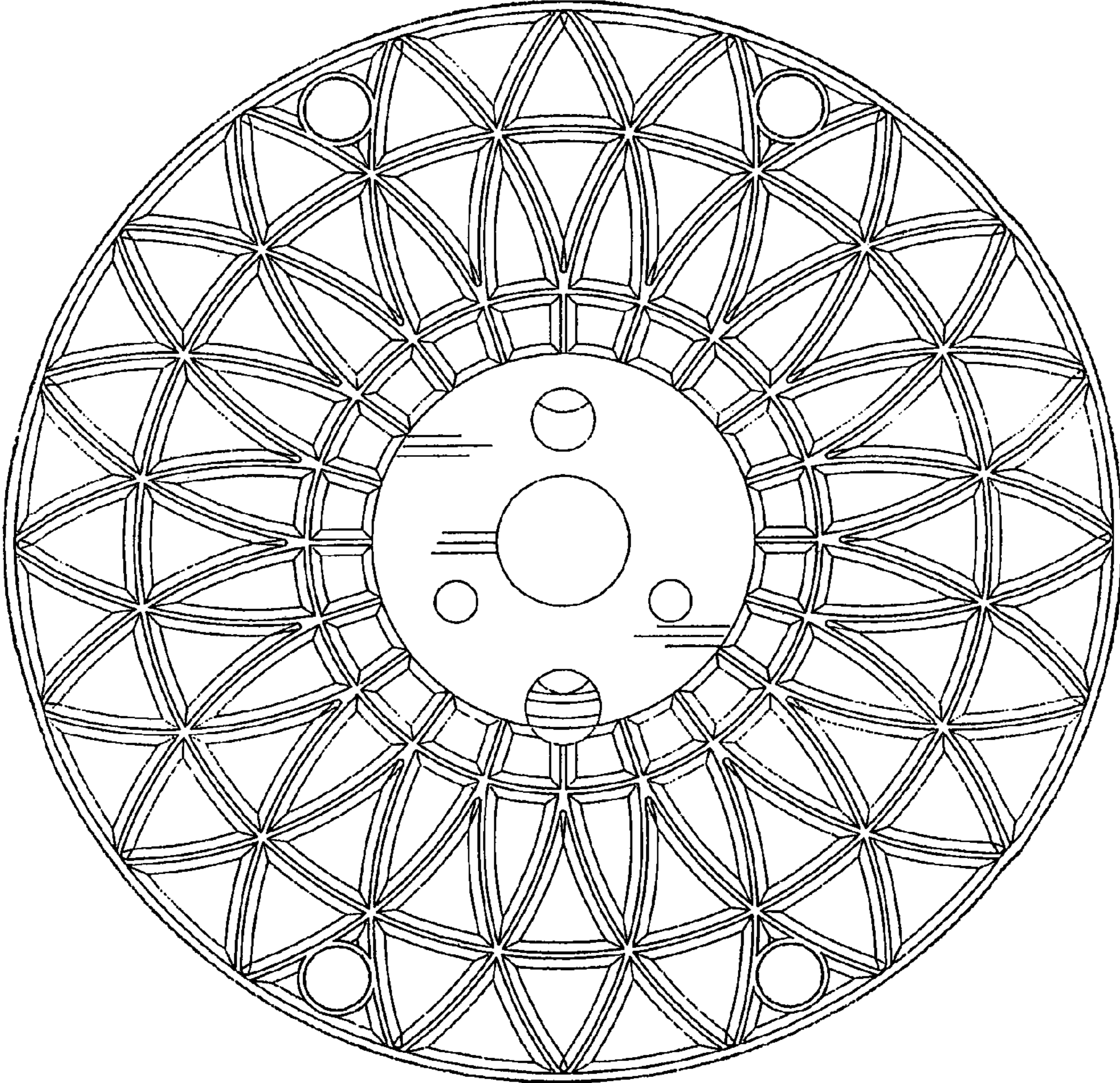


FIG. 2

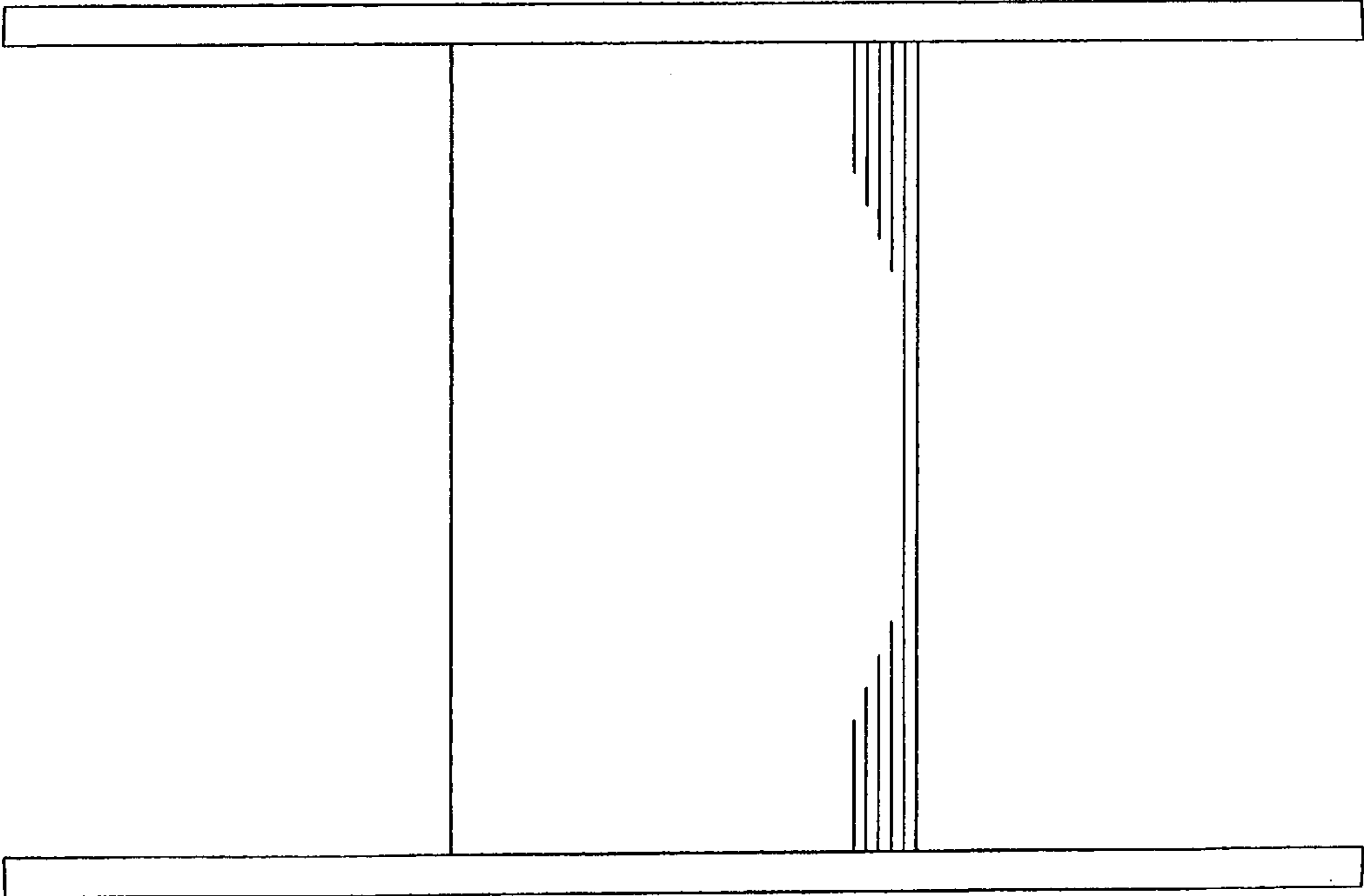


FIG. 3

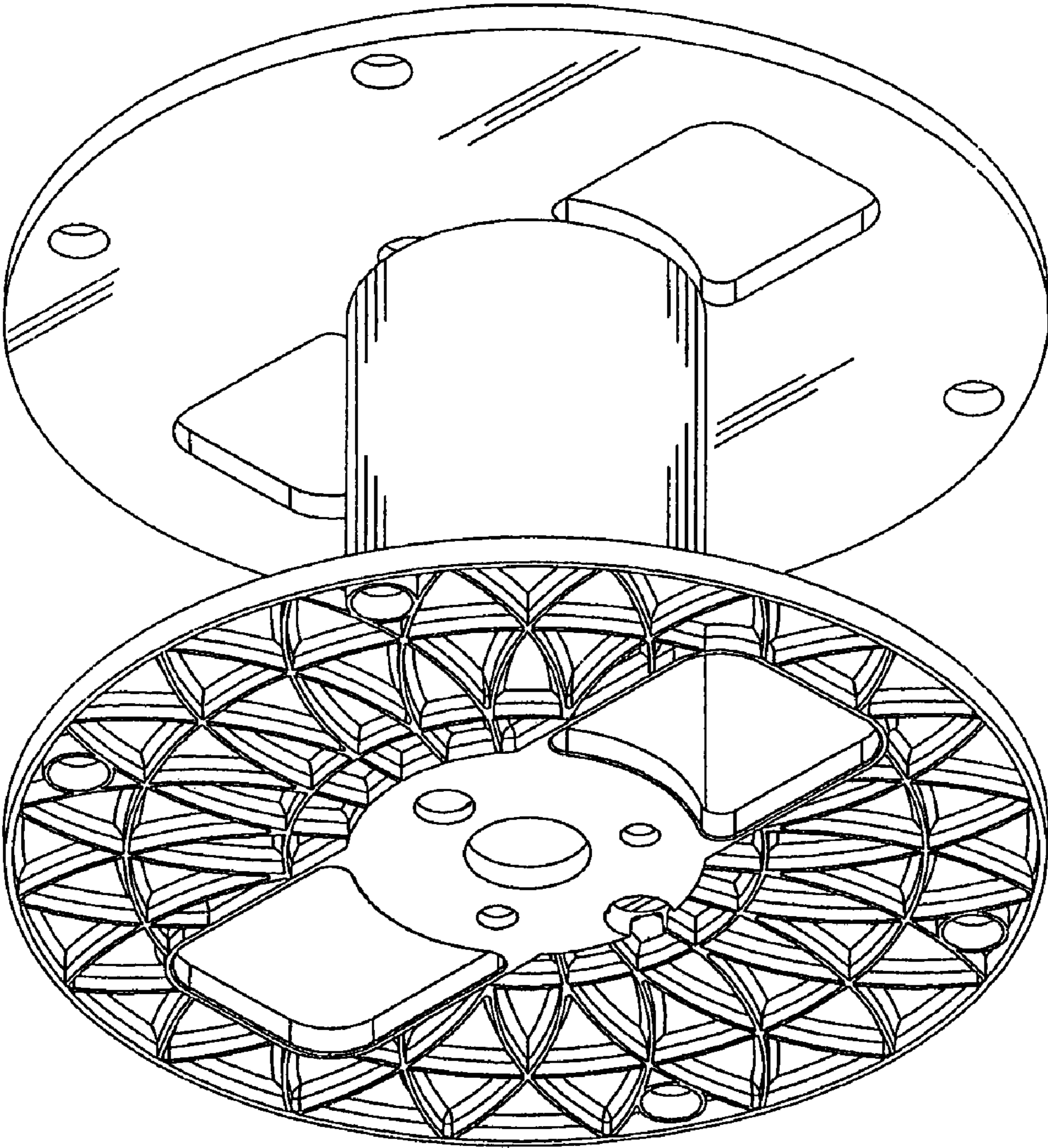


FIG. 4

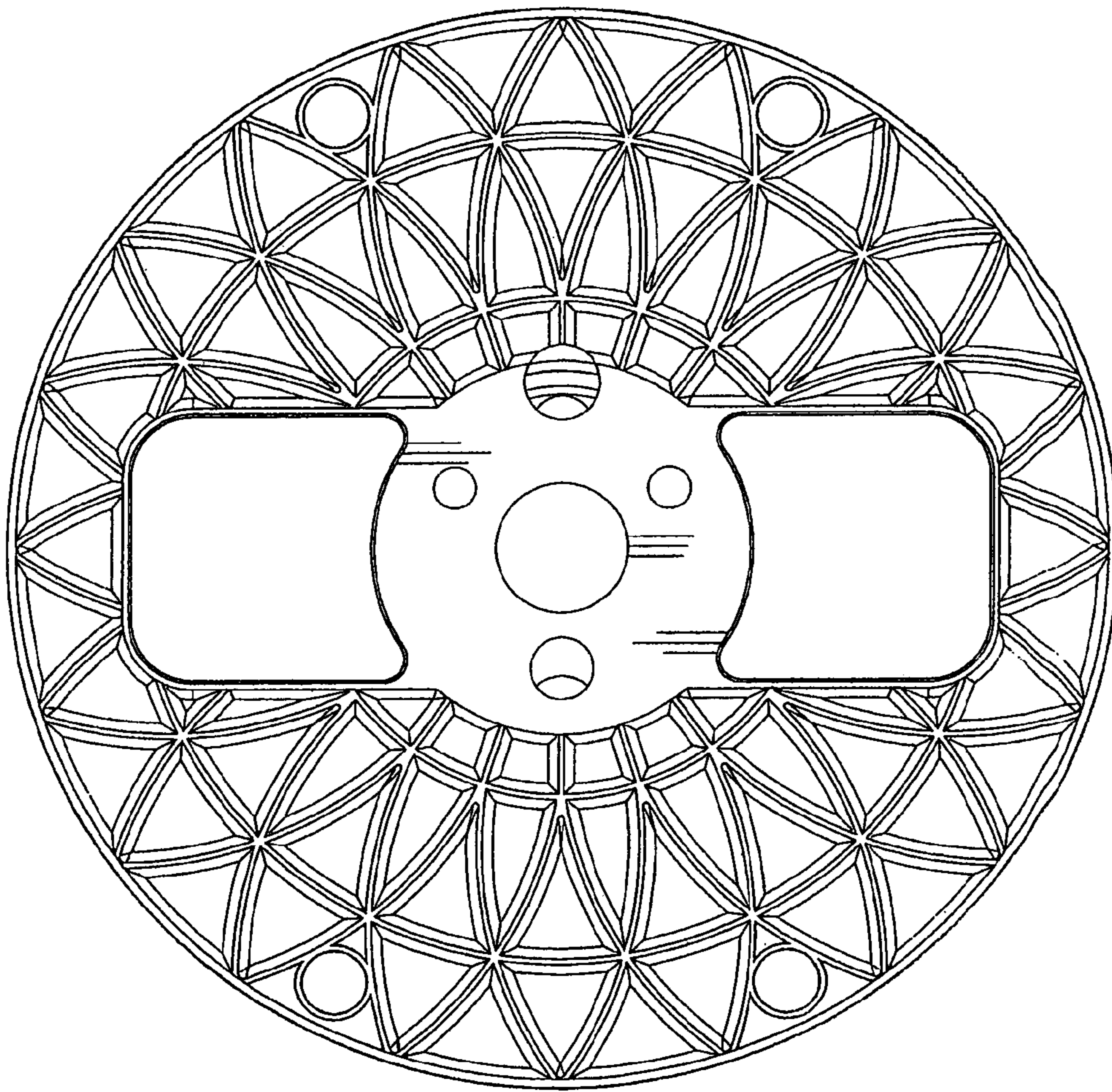


FIG. 5

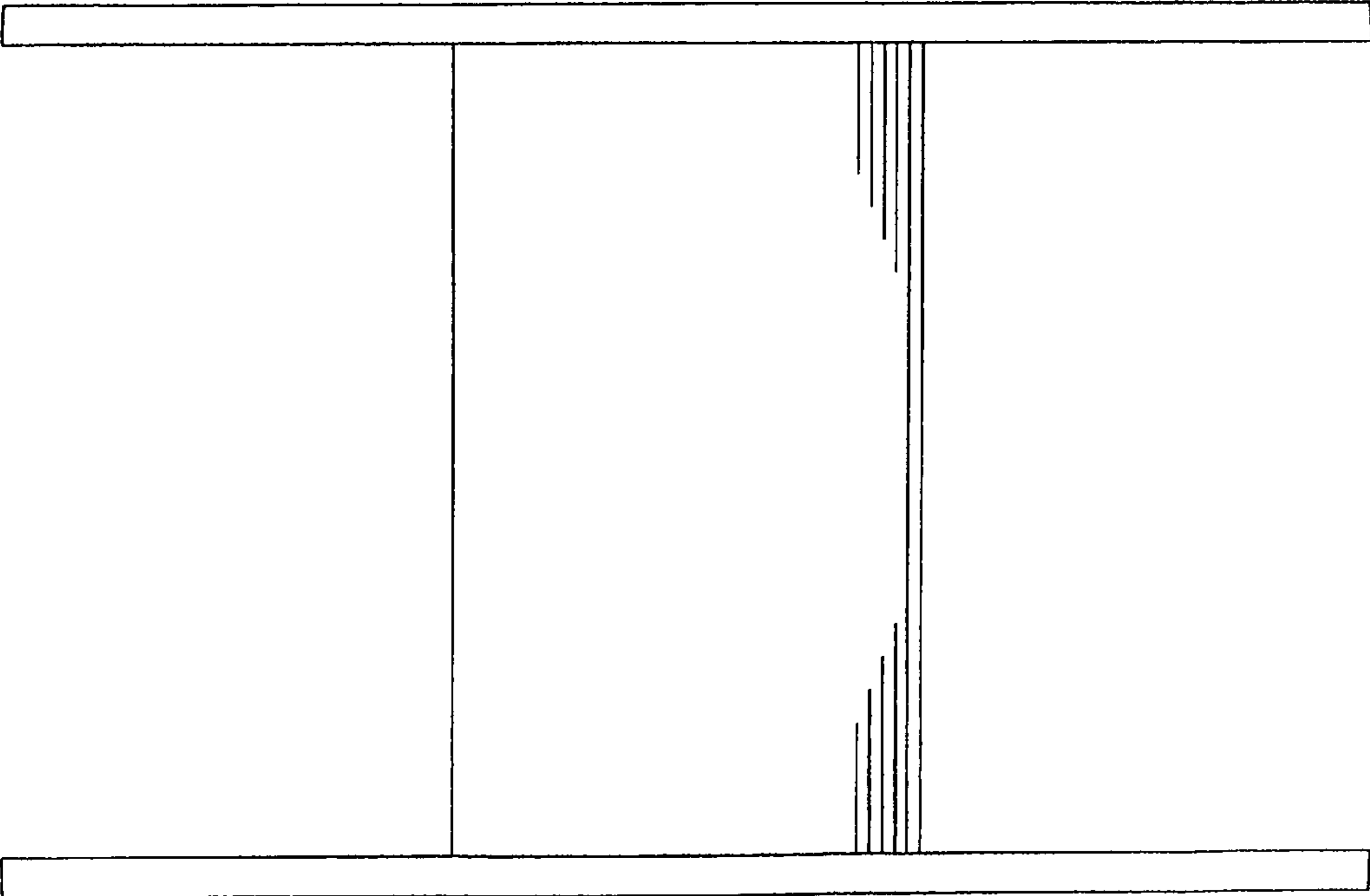


FIG. 6