



US00D582749S

(12) **United States Design Patent**
Frazier

(10) **Patent No.:** **US D582,749 S**
(45) **Date of Patent:** **** Dec. 16, 2008**

(54) **HANDLE**

(75) **Inventor:** **Brian Frazier**, P.O. Box 629, Clayton,
NC (US) 27520

(73) **Assignee:** **Brian Frazier**, Clayton, NC (US)

(**) **Term:** **14 Years**

(21) **Appl. No.:** **29/303,861**

(22) **Filed:** **Feb. 19, 2008**

(51) **LOC (8) Cl.** **08-06**

(52) **U.S. Cl.** **D8/315**

(58) **Field of Classification Search** D8/300-303,
D8/305-321, DIG. 1, DIG. 2, DIG. 10; D7/393,
D7/394; D3/318; D6/549, 524, 533, 550;
D23/250-254, 303, 305; D15/89; 292/347;
211/16, 182; 220/752-754; 16/441, 118,
16/110 R, 111 R, DIG. 19, DIG. 30, 110.1,
16/412, 414-420, 443-446

See application file for complete search history.

(56) **References Cited**

U.S. PATENT DOCUMENTS

D68,530 S *	10/1925	Gray	D8/316
D74,422 S *	2/1928	Frolking	D6/549
D105,966 S *	9/1937	Morand et al.	D8/316
D176,816 S *	1/1956	Ring	D8/316
D181,119 S *	10/1957	Boutin	D8/317
D198,836 S *	8/1964	Smith, Jr.	D8/314
D200,196 S *	2/1965	Carsello	D8/317
D203,031 S *	11/1965	Carsello	D8/317
D236,944 S *	9/1975	Palm, Jr.	D8/317
D242,619 S *	12/1976	Bake et al.	D23/250
D257,476 S *	11/1980	Sirois	D8/316

D263,661 S *	4/1982	Thompson	D6/549
D342,436 S *	12/1993	Cook et al.	D8/317
D542,117 S *	5/2007	Fields	D8/316
D561,557 S *	2/2008	McConnell	D8/316
D563,761 S *	3/2008	Ricereto	D8/316

* cited by examiner

Primary Examiner—Stella M Reid

Assistant Examiner—Mark A Goodwin

(74) *Attorney, Agent, or Firm*—C. Robert Rhodes; Womble
Carlyle Sandridge & Rice PLLC

(57) **CLAIM**

The ornamental design for a handle, as shown and described.

DESCRIPTION

FIG. 1 is a top left perspective view of a handle showing my
new design;

FIG. 2 is a top plan view thereof;

FIG. 3 is a side elevational view thereof;

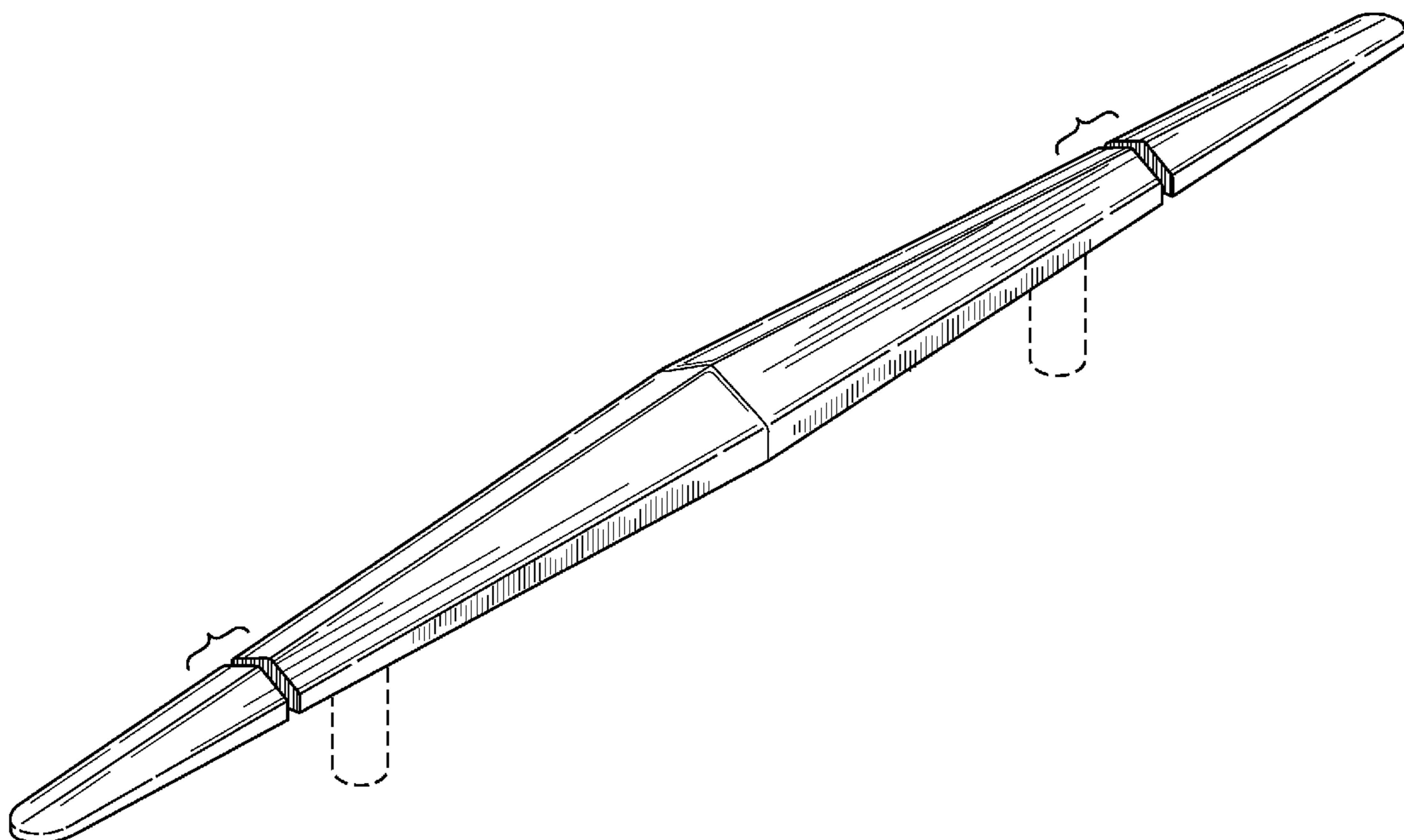
FIG. 4 is an end elevational view thereof; and,

FIG. 5 is a top left perspective view, illustrating the handle in
a representative position on a furniture panel thereof.

FIGS. 1-3 are shown broken away to represent indeterminate
length.

The broken lines depicting additional furniture portions in
FIGS. 1 and 3-5 represent environmental elements only and
form no part of the claimed design. The opposite side and end
not shown are identical to the side and end illustrated. The
underside of the handle not shown forms no part of the
claimed design.

1 Claim, 5 Drawing Sheets



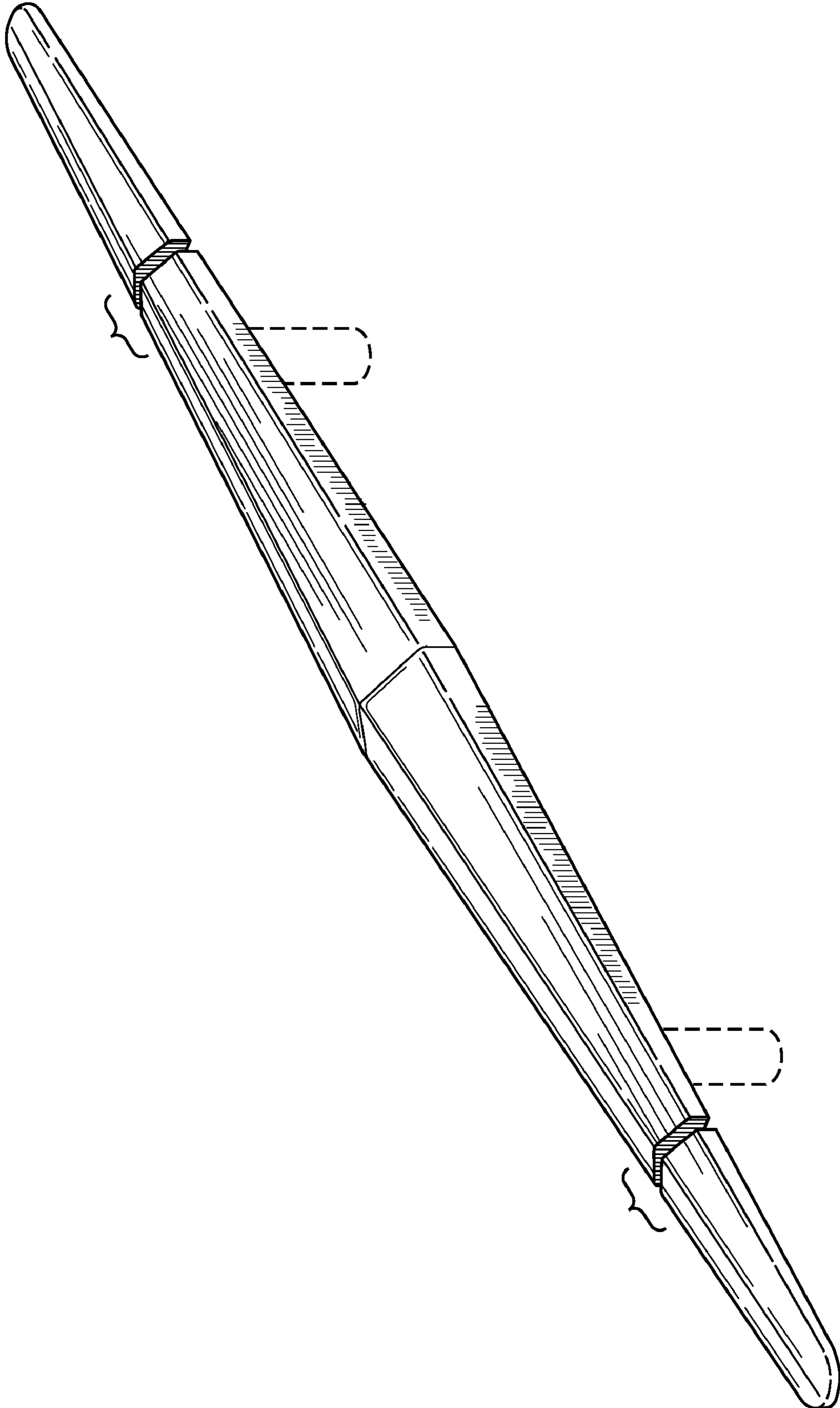


FIG. 1

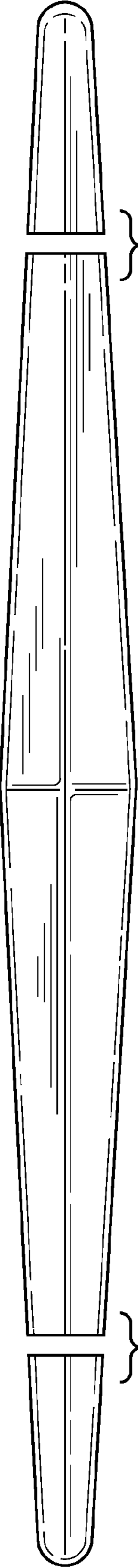


FIG. 2

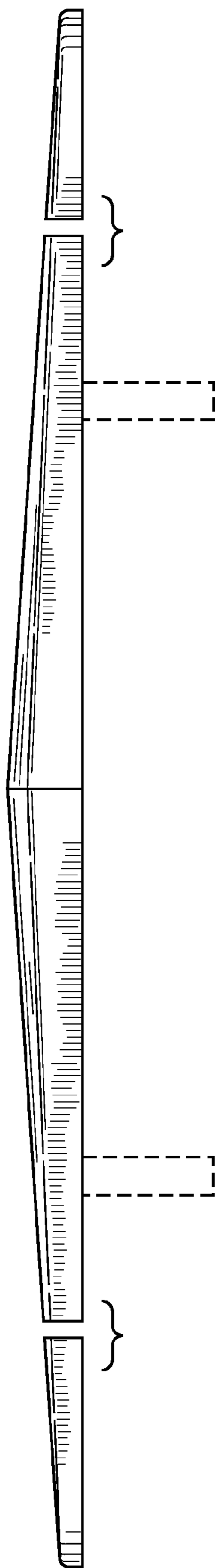


FIG. 3

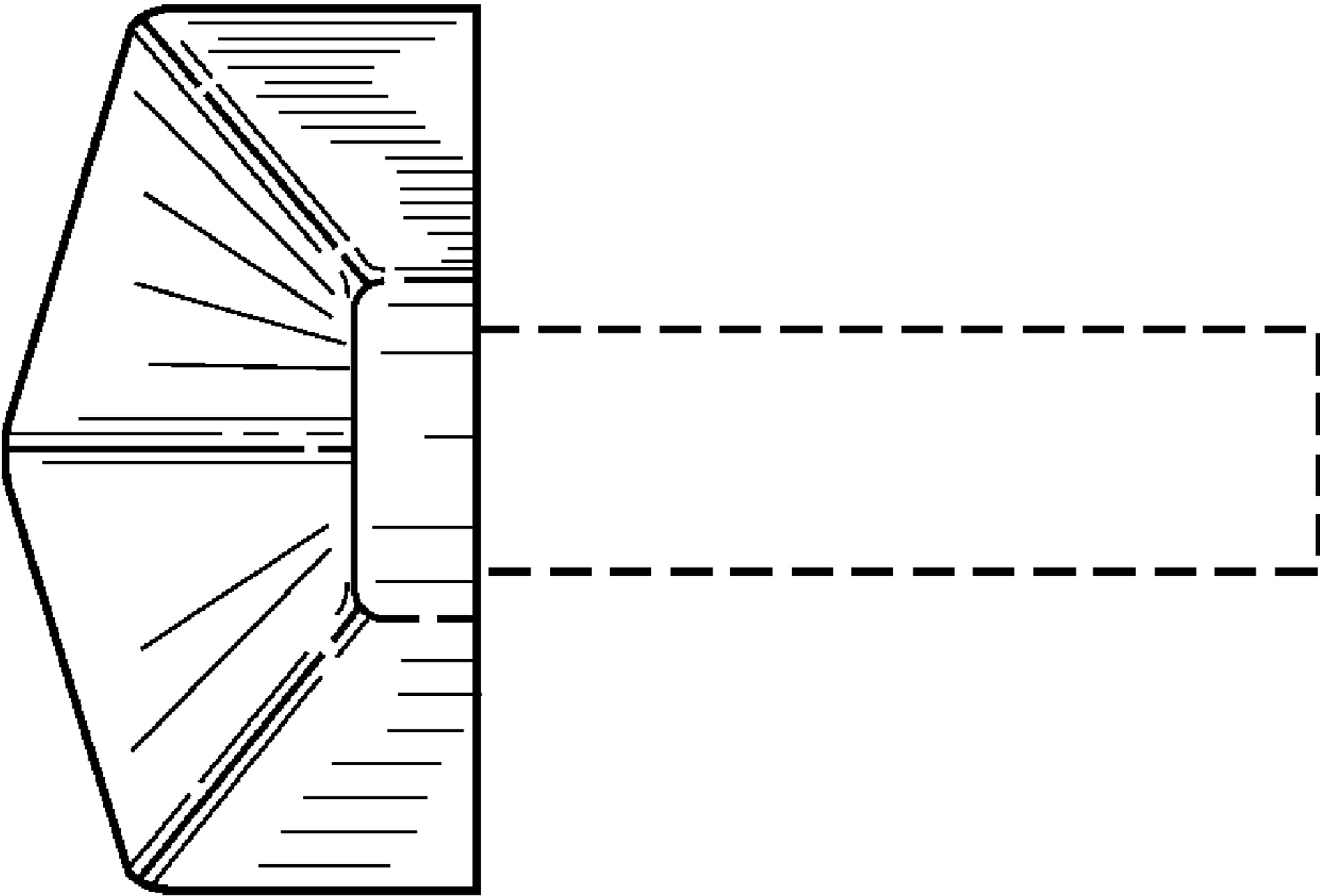


FIG. 4

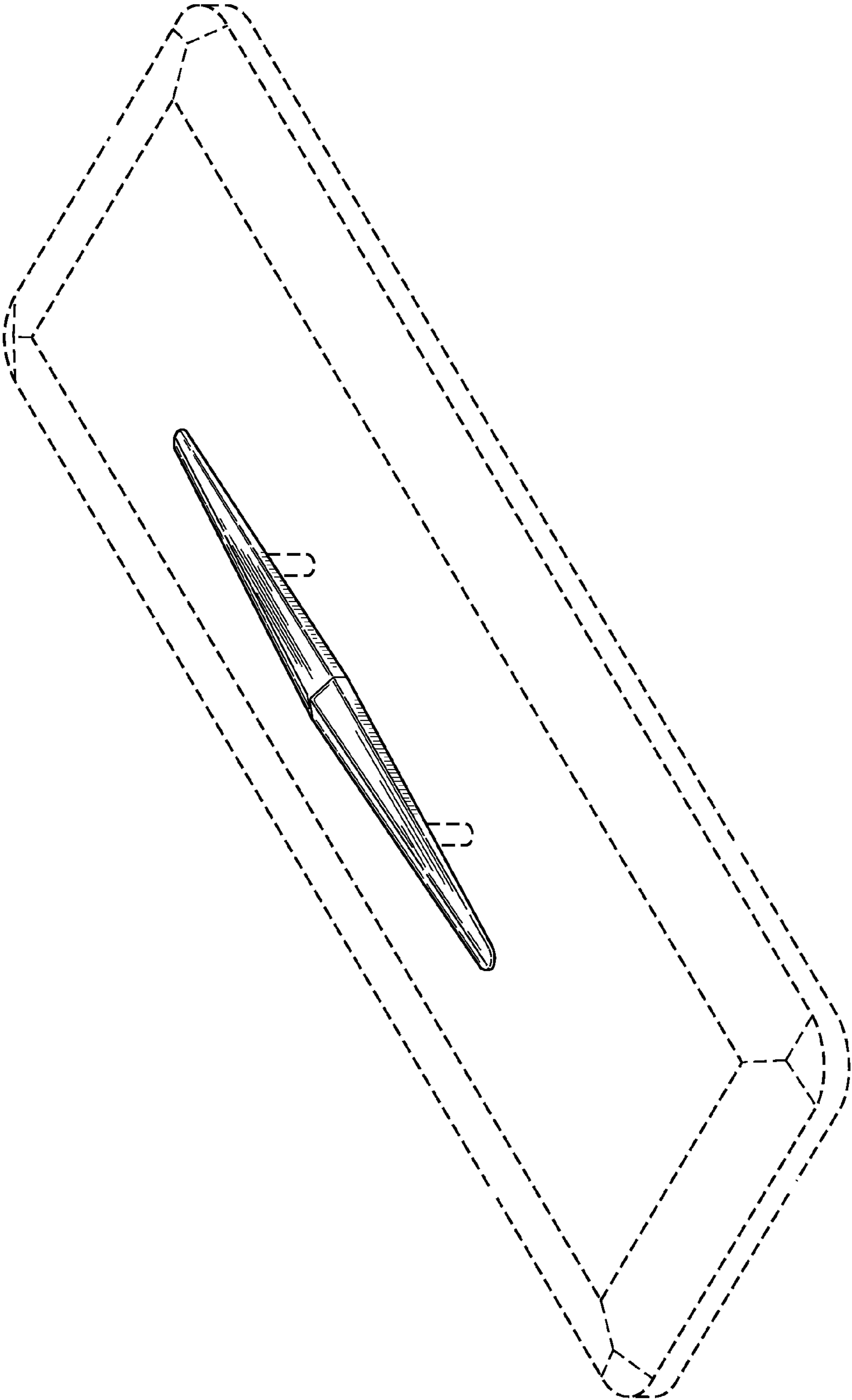


FIG. 5