



US00D582745S

(12) **United States Design Patent**  
**Neiser**

(10) **Patent No.:** **US D582,745 S**

(45) **Date of Patent:** **\*\* Dec. 16, 2008**

(54) **BAG OPENER**

6,615,495 B1 \* 9/2003 Evens et al. .... 30/289

(76) Inventor: **Gabe Neiser**, 2106 Nicole Dr., Port  
Jefferson Station, NY (US) 11776

\* cited by examiner

*Primary Examiner*—Philip S Hyder

(74) *Attorney, Agent, or Firm*—Keusey, Tutunjian & Bitetto  
P.C.

(\*\*) Term: **14 Years**

(21) Appl. No.: **29/289,106**

(57) **CLAIM**

(22) Filed: **Jul. 6, 2007**

The ornamental design for a bag opener, as shown and  
described.

(51) **LOC (8) Cl.** ..... **08-03**

(52) **U.S. Cl.** ..... **D8/98**

(58) **Field of Classification Search** ..... D8/14,  
D8/98, 99, 102; 30/280, 294, 289, 314, 317  
See application file for complete search history.

**DESCRIPTION**

FIG. 1 is a perspective view of the bag opener showing our  
new design;

FIG. 2 is a top view thereof;

FIG. 3 is a bottom view thereof;

FIG. 4 is front view thereof,

FIG. 5 is a left side view thereof, the right side view being a  
mirror image of the left side view; and,

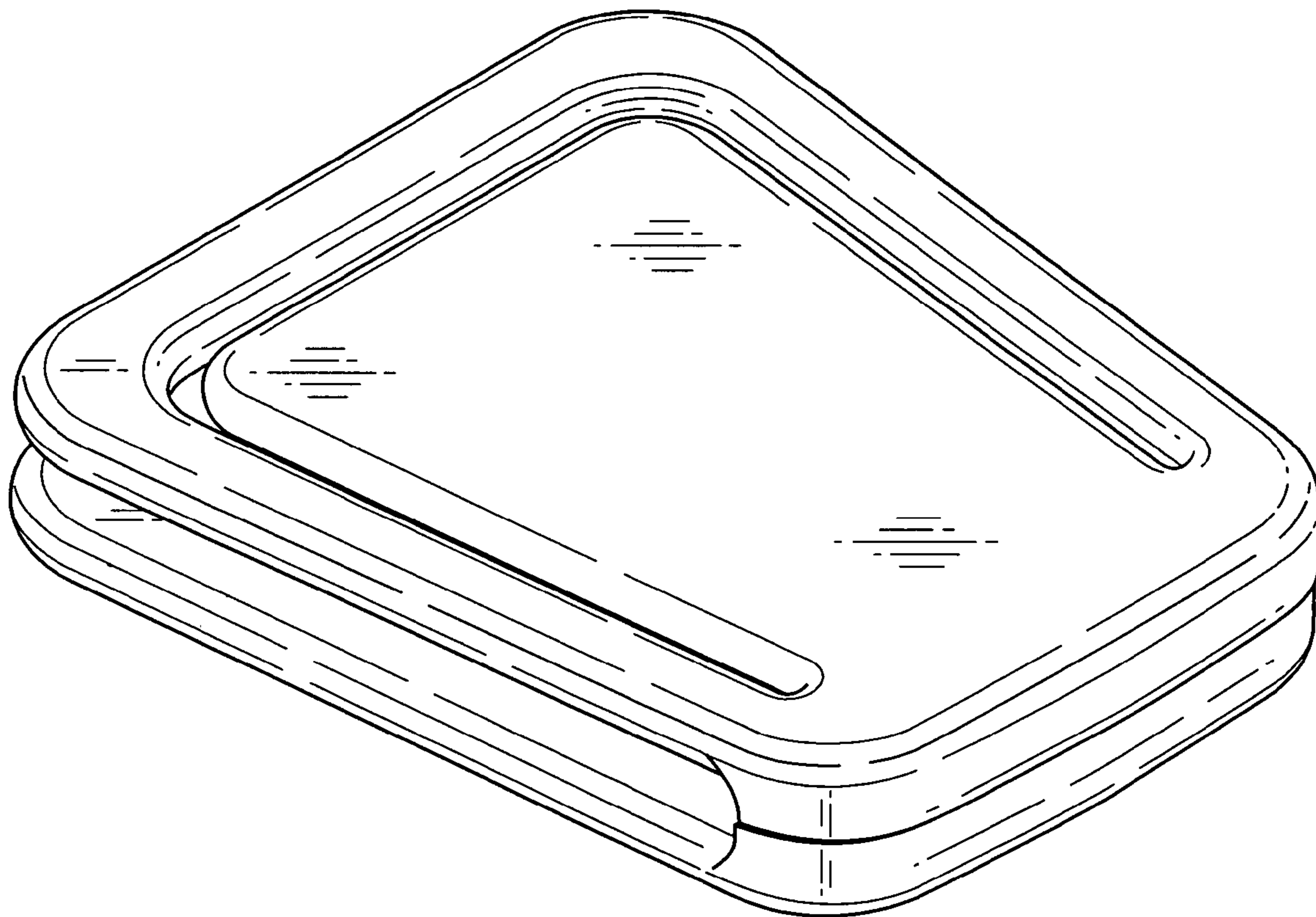
FIG. 6 is a rear view thereof.

(56) **References Cited**

U.S. PATENT DOCUMENTS

5,127,161	A *	7/1992	Ikeda	.....	30/294
5,666,731	A *	9/1997	Rungren	.....	30/287
D419,417	S *	1/2000	Kane	.....	D8/98
D424,397	S *	5/2000	Wiseman	.....	D8/98
D435,775	S *	1/2001	Rothschild et al.	.....	D8/98
6,578,243	B1 *	6/2003	Hall	.....	24/501
D477,520	S *	7/2003	McCracken	.....	D8/98

**1 Claim, 4 Drawing Sheets**



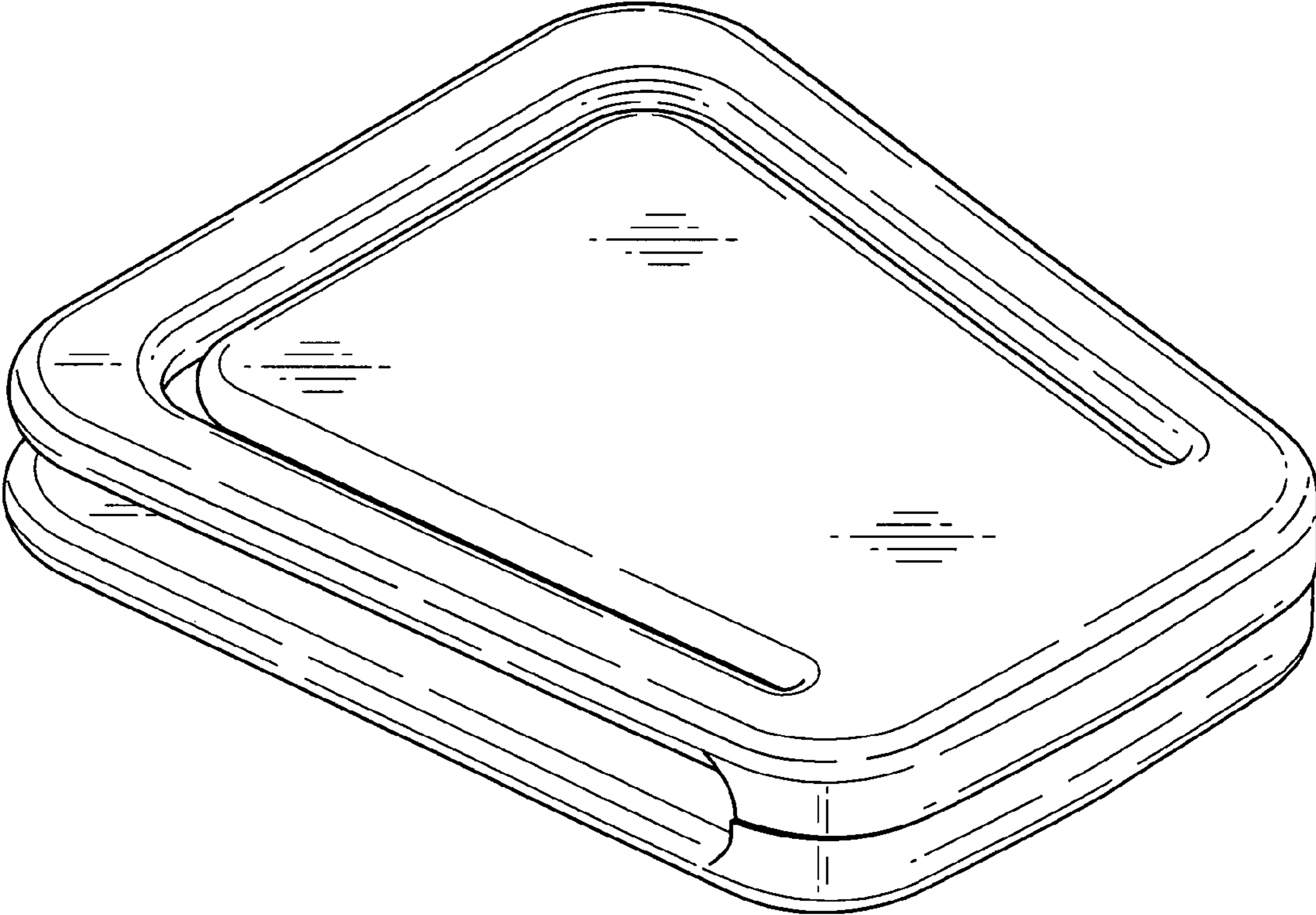


FIG. 1

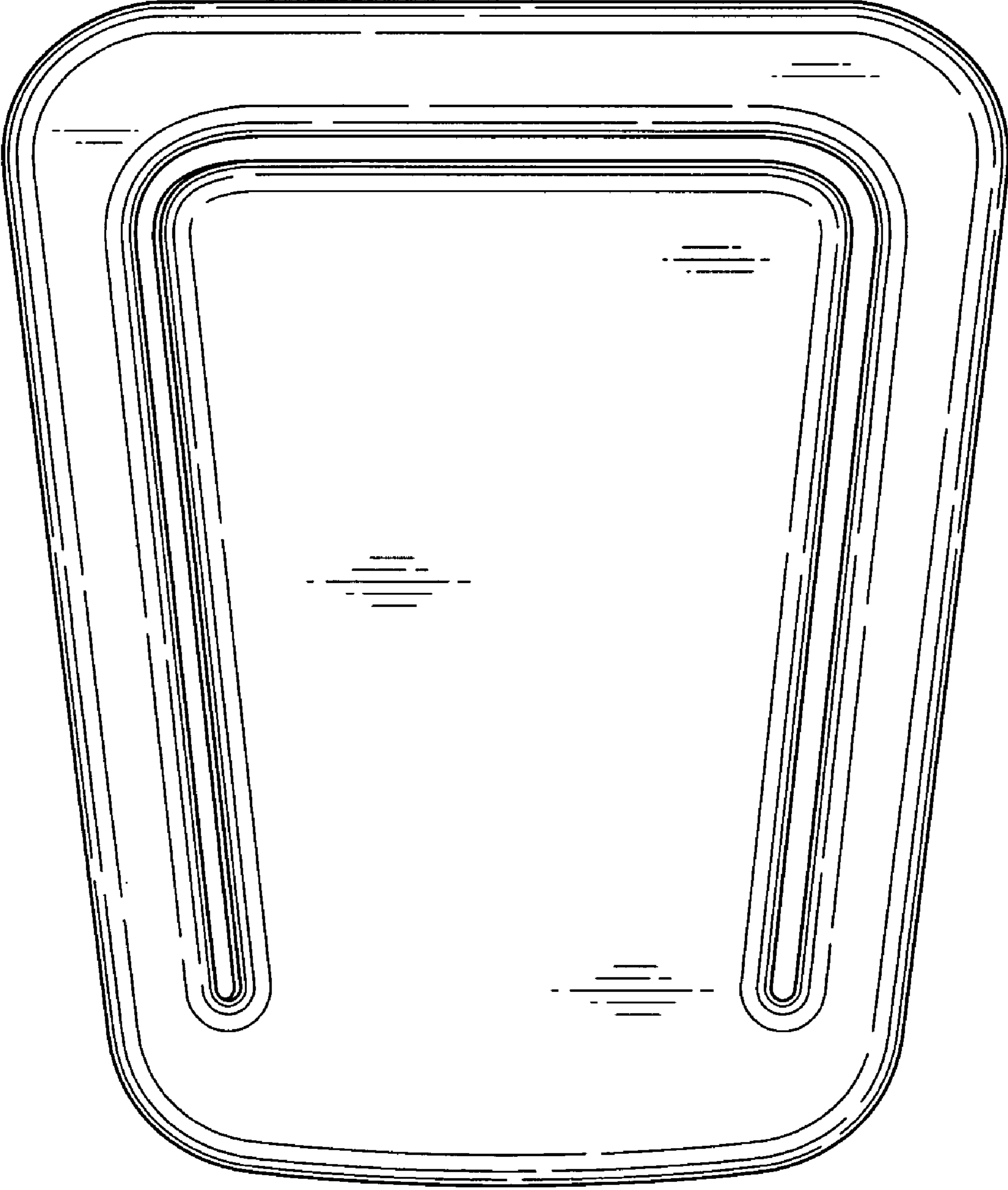


FIG. 2

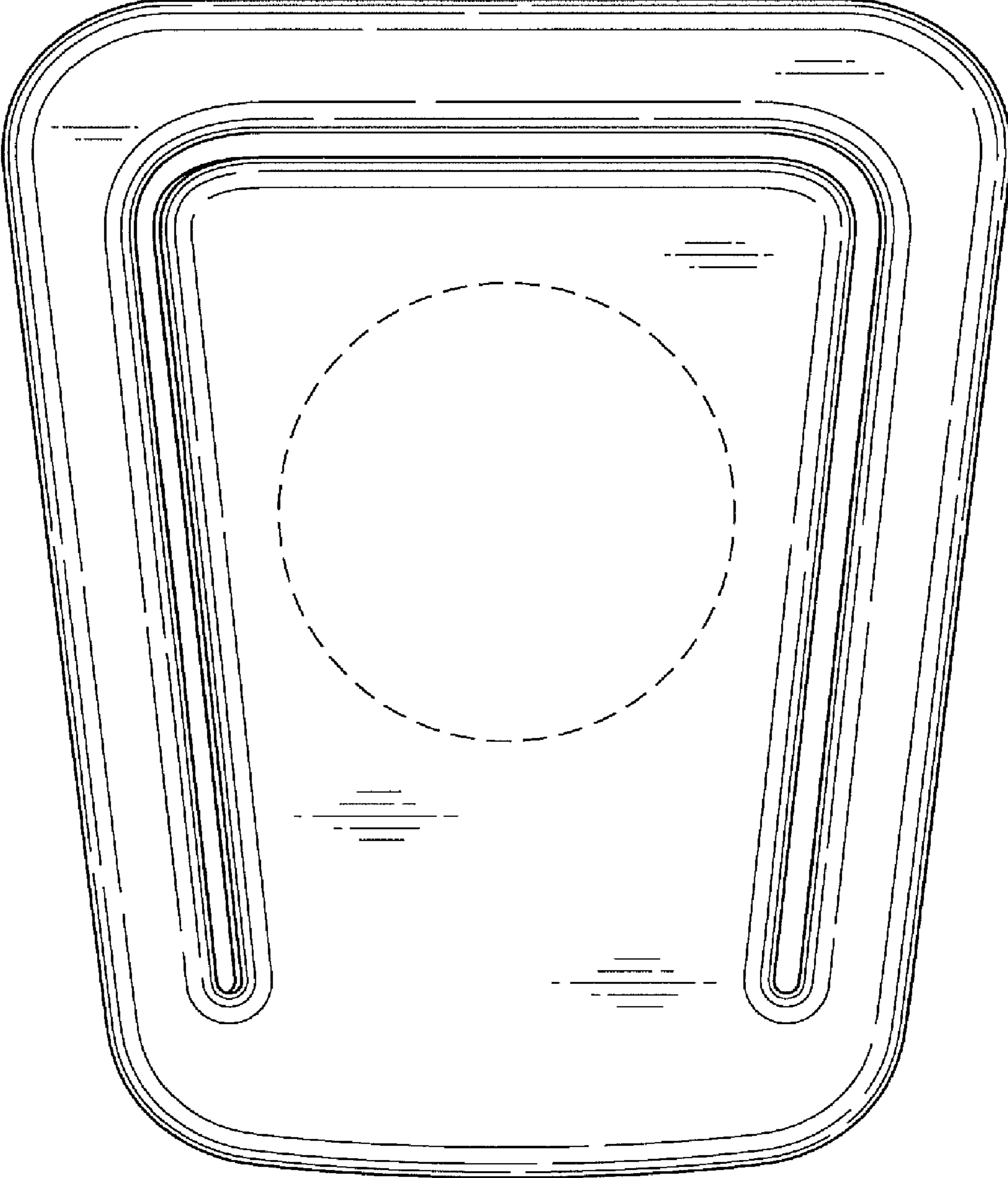


FIG. 3

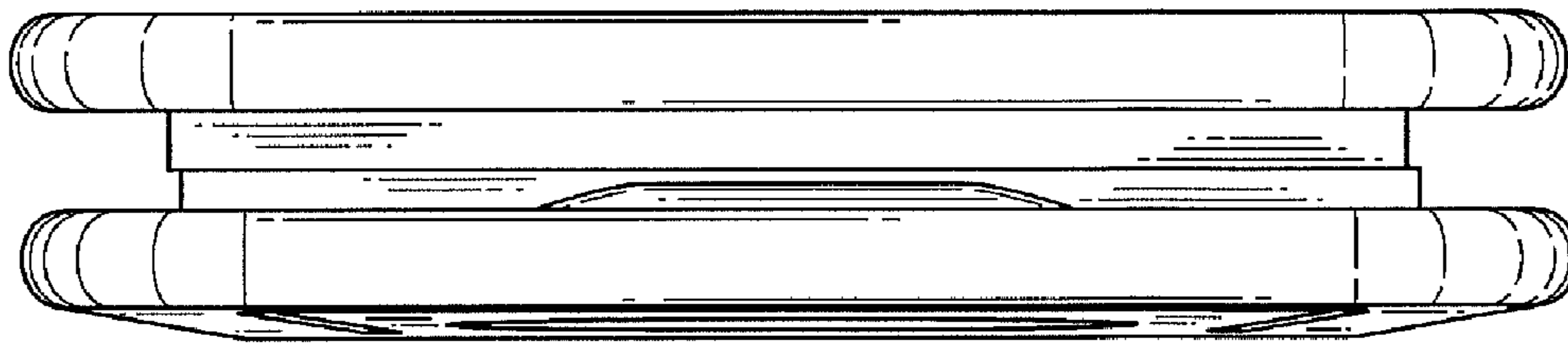


FIG. 4

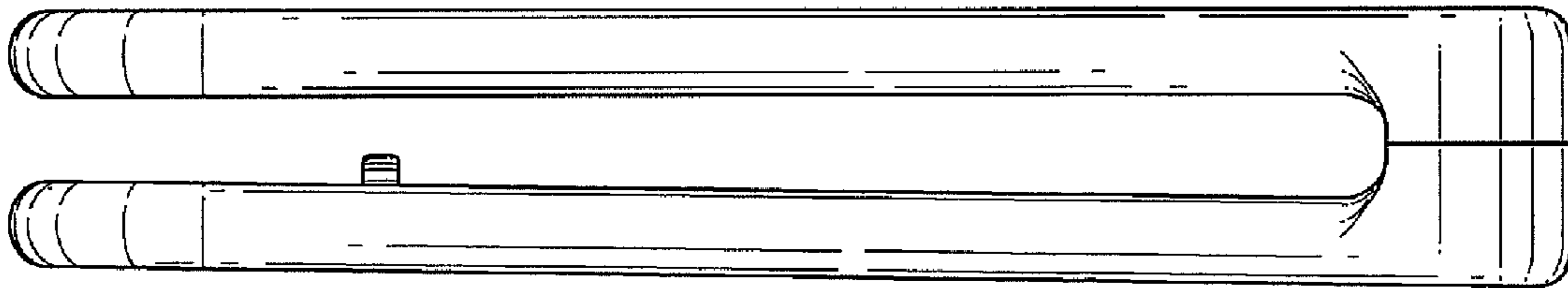


FIG. 5

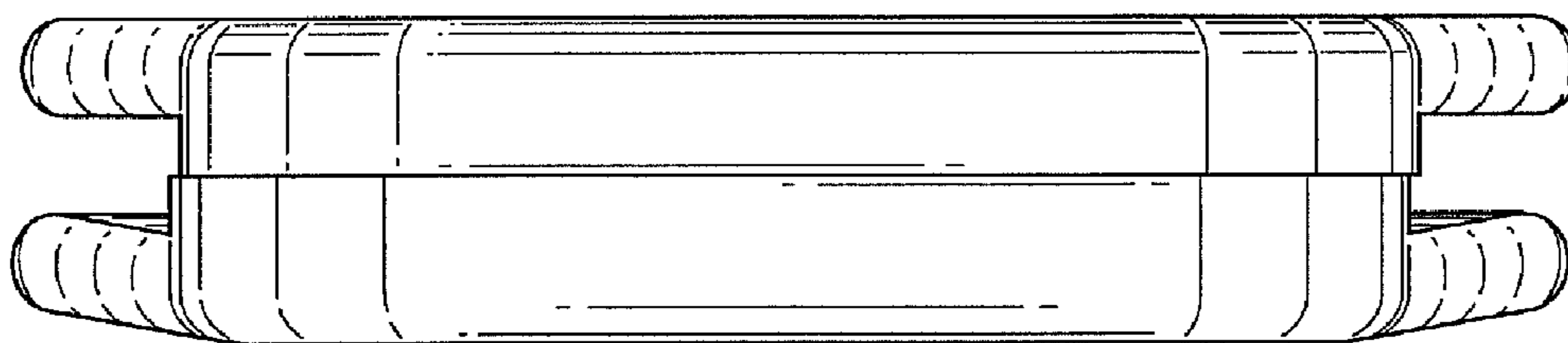


FIG. 6