



US00D582744S

(12) **United States Design Patent**
Hansson et al.

(10) **Patent No.:** **US D582,744 S**

(45) **Date of Patent:** **** Dec. 16, 2008**

(54) **SUPPORT STRUCTURE FOR TORQUE
DELIVERING SPINDLE UNITS FOR
TIGHTENING SCREW JOINTS**

(75) Inventors: **Gunnar Christer Hansson**, Stockholm
(SE); **Lazaro Reinaldo Lamadrid
Fernandez**, Nacka (SE)

(73) Assignee: **Atlas Copco Tools AB**, Nacka (SE)

(**) Term: **14 Years**

(21) Appl. No.: **29/232,055**

(22) Filed: **Jun. 14, 2005**

(30) **Foreign Application Priority Data**

Dec. 15, 2004 (SE) 04-0851

(51) **LOC (8) Cl.** **08-05**

(52) **U.S. Cl.** **D8/71**

(58) **Field of Classification Search** D8/71,
D8/14, 70, 72, 73, 74, 349, 354, 373, 395,
D8/107; D6/553; D15/130, 132, 138, 139,
D15/140, 141, 136; 206/349; 211/70.1,
211/70.6; 248/127, 146, 156; 173/132; 124/1,
124/86

See application file for complete search history.

(56) **References Cited**

U.S. PATENT DOCUMENTS

2,849,900 A * 9/1958 Heidtman, Jr. D8/70

3,441,241 A * 4/1969 Brooks 248/156
3,874,810 A * 4/1975 Russell D8/70
D248,727 S * 8/1978 Sperber D8/71
4,136,579 A * 1/1979 Robinson et al. D8/70
D273,299 S * 4/1984 Archeskie D8/70
D277,544 S * 2/1985 DeCarolis D8/71
D291,528 S * 8/1987 Degen D8/71
D324,526 S * 3/1992 Degen D15/138
D344,529 S * 2/1994 Gowdy D15/140
D351,978 S * 11/1994 Tanzer D8/71
D414,669 S * 10/1999 Howard D8/71
D474,093 S * 5/2003 Chang D8/71
D530,595 S * 10/2006 Lam et al. D8/373

* cited by examiner

Primary Examiner—T. Chase Nelson

(74) *Attorney, Agent, or Firm*—Frishauf, Holtz, Goodman &
Chick, P.C.

(57) **CLAIM**

The ornamental design for a support structure for torque delivering spindle units for tightening screw joints, as shown and described.

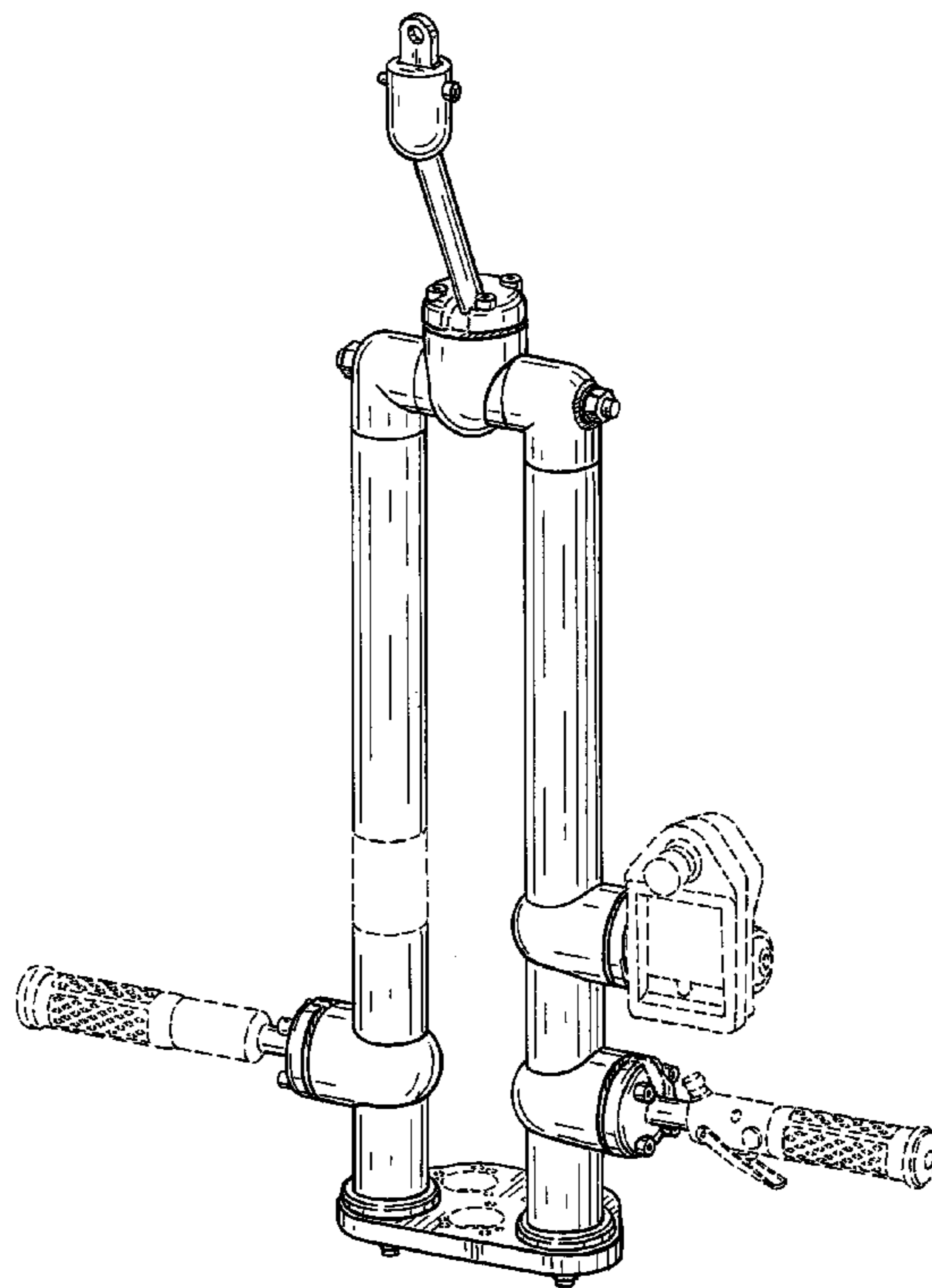
DESCRIPTION

FIG. 1 is a front, right, and top isometric view of a support structure for torque delivering spindle units for tightening screw joints showing our new design; and,

FIG. 2 is a rear, left, and bottom isometric view thereof.

The portions shown in broken lines form no part of the claimed design.

1 Claim, 2 Drawing Sheets



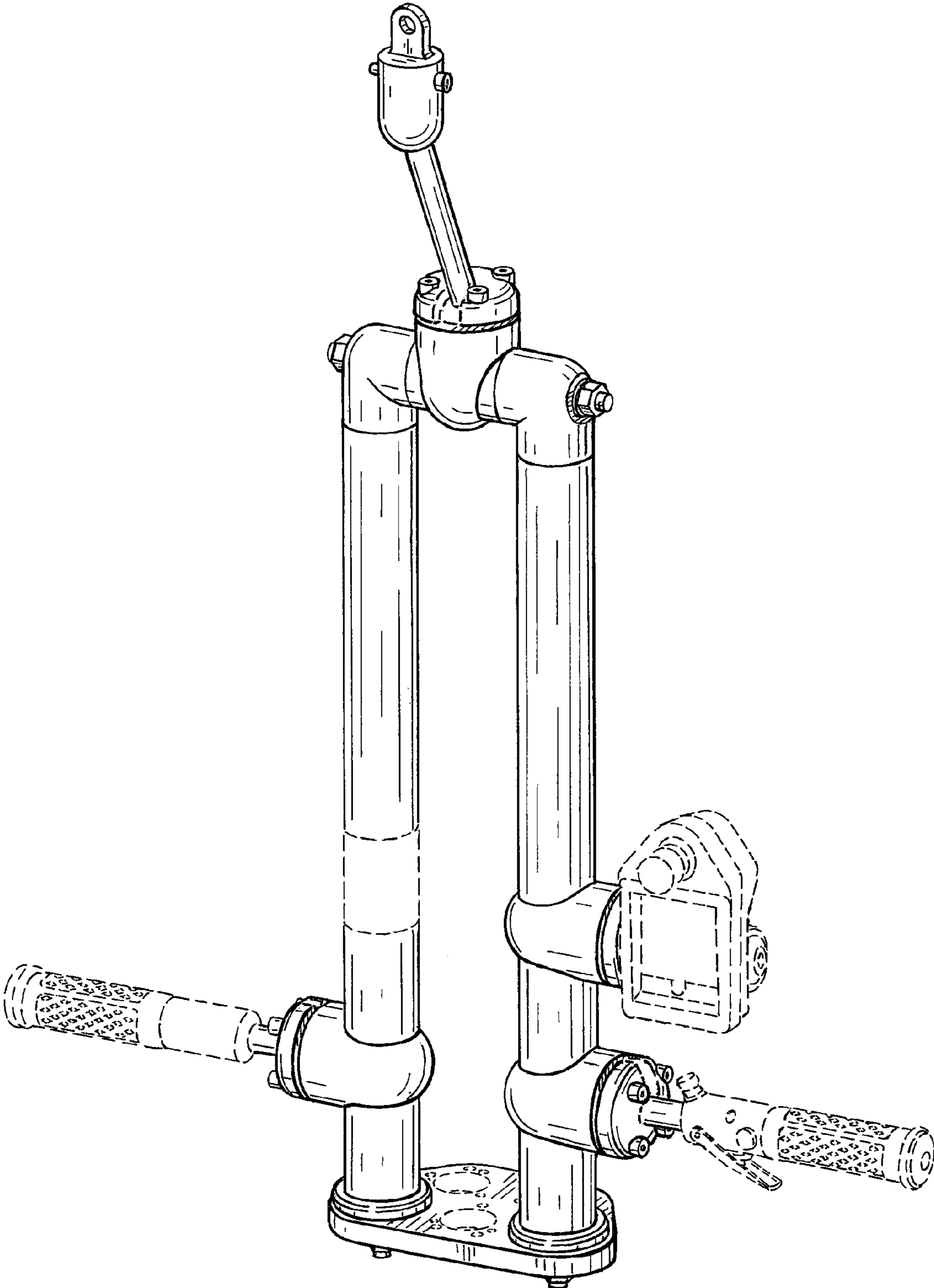


Fig. 1

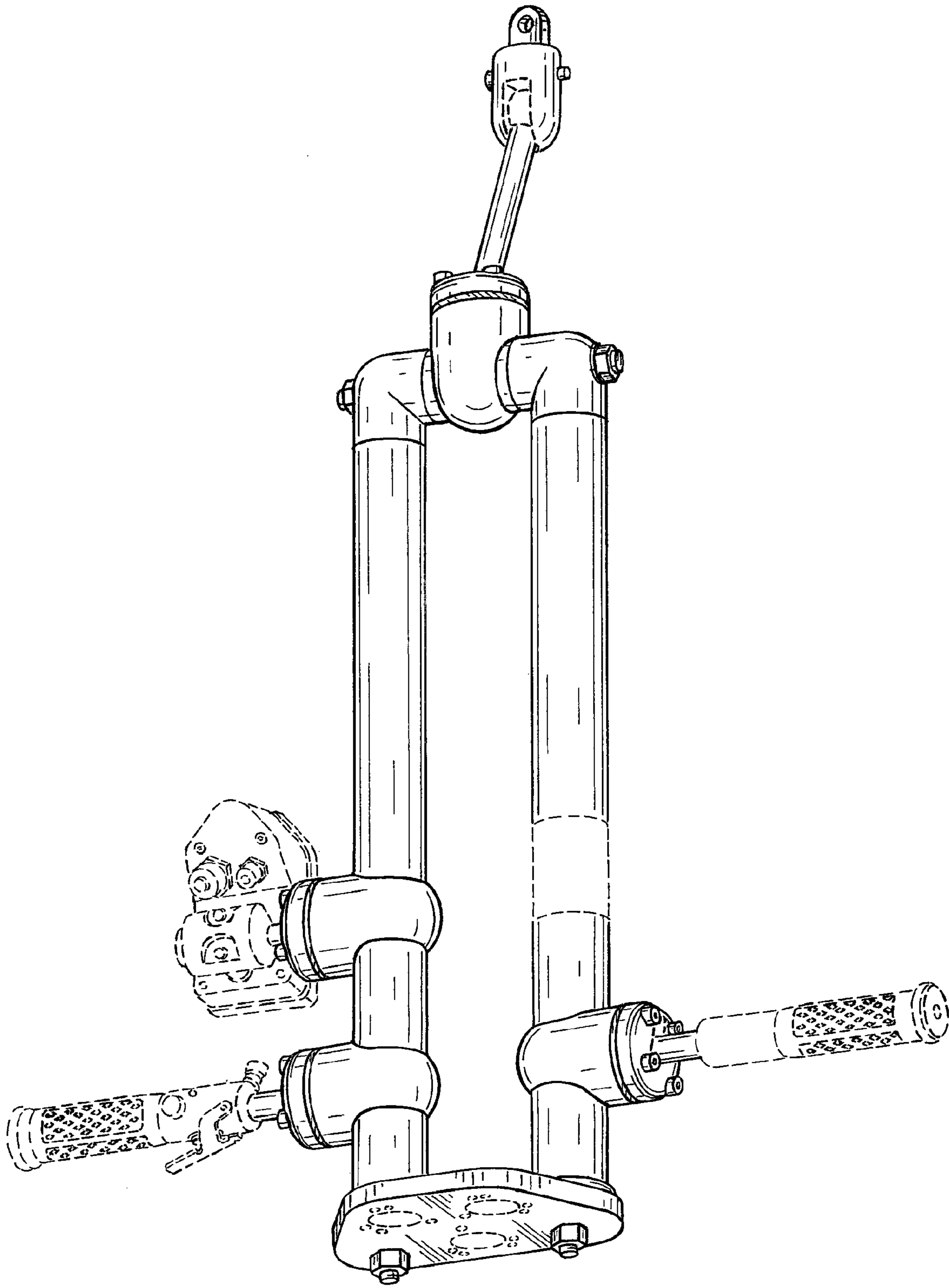


Fig. 2