



US00D582738S

(12) **United States Design Patent**
Oliver et al.

(10) **Patent No.:** **US D582,738 S**
(45) **Date of Patent:** **** Dec. 16, 2008**

(54) **TOOL FOR APPLYING MORTAR**

(76) Inventors: **Barry Vic Oliver**, 4 Bakehouse Hill,
Dullingham, Newmarket (GB) CB8 9XJ;
Trevor Andrew Dix, 22 Ringsread Road,
Kings Lynn (GB) PE31 7IA

(**) Term: **14 Years**

(21) Appl. No.: **29/271,816**

(22) Filed: **Jan. 26, 2007**

(30) **Foreign Application Priority Data**

Jul. 29, 2006 (GB) 3025532

(51) **LOC (8) Cl.** **08-05**

(52) **U.S. Cl.** **D8/14.1**

(58) **Field of Classification Search** D8/14,
D8/14.1, 51; 222/322, 319, 323; 4/255.02
See application file for complete search history.

(56) **References Cited**

U.S. PATENT DOCUMENTS

3,138,821	A *	6/1964	Macciocchi et al.	401/265
3,436,828	A *	4/1969	Dragan	433/90
D300,349	S *	3/1989	Ennis, III	D23/231
5,054,658	A *	10/1991	Aronie	222/232
5,090,597	A *	2/1992	Johnson	222/107
5,385,274	A *	1/1995	Twyman	222/327
D368,838	S *	4/1996	Paklaian	D8/14.1
6,152,332	A *	11/2000	Funk	222/323
6,619,506	B2 *	9/2003	Famiglietti	222/99
D527,590	S *	9/2006	Dee et al.	D8/14.1

* cited by examiner

Primary Examiner—Philip S Hyder

(74) *Attorney, Agent, or Firm*—Barnes & Thornburg LLP

(57) **CLAIM**

The ornamental design for a tool for applying mortar, as shown and described.

DESCRIPTION

FIG. 1 is a top perspective view of the tool for applying mortar;

FIG. 2 is a bottom perspective view of the tool for applying mortar;

FIG. 3 is a left side perspective view of the tool for applying mortar;

FIG. 4 is a right side perspective view of the tool for applying mortar;

FIG. 5 is an exploded top view of the tool for applying mortar;

FIG. 6 is an exploded bottom view of the tool for applying mortar;

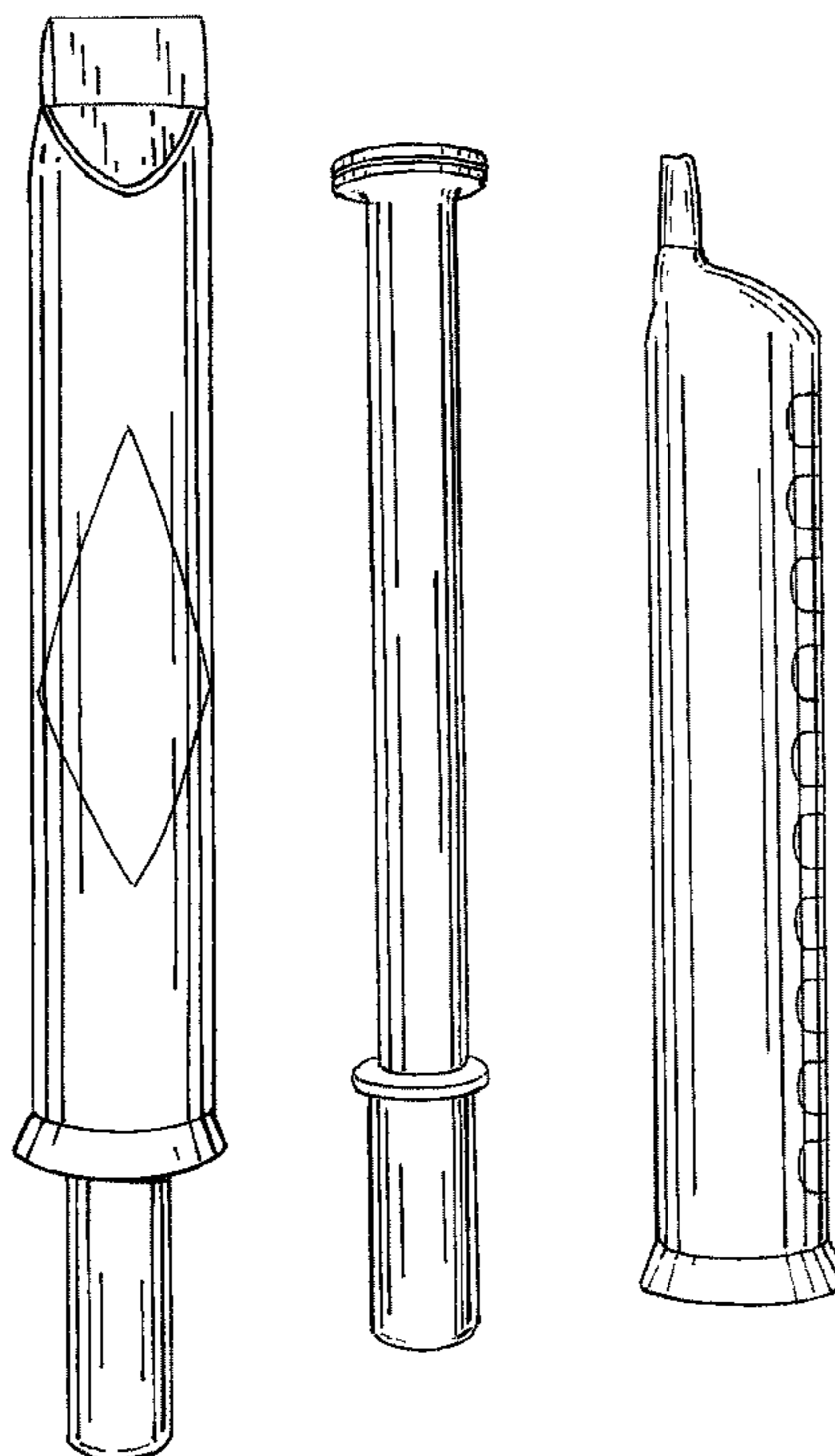
FIG. 7 is an exploded left side perspective view of the tool for applying mortar;

FIG. 8 is an exploded right side perspective view of the tool for applying mortar;

FIG. 9 is an exploded front perspective view of the tool for applying mortar; and,

FIG. 10 is an exploded rear perspective view of the tool for applying mortar.

1 Claim, 7 Drawing Sheets



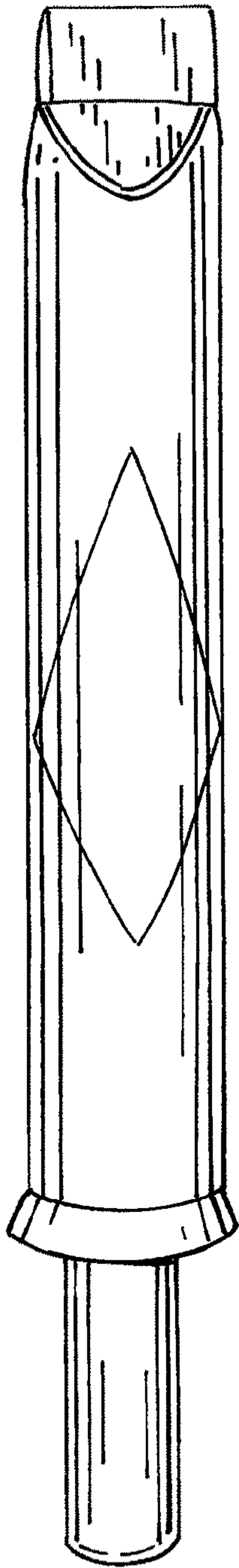


Fig. 1

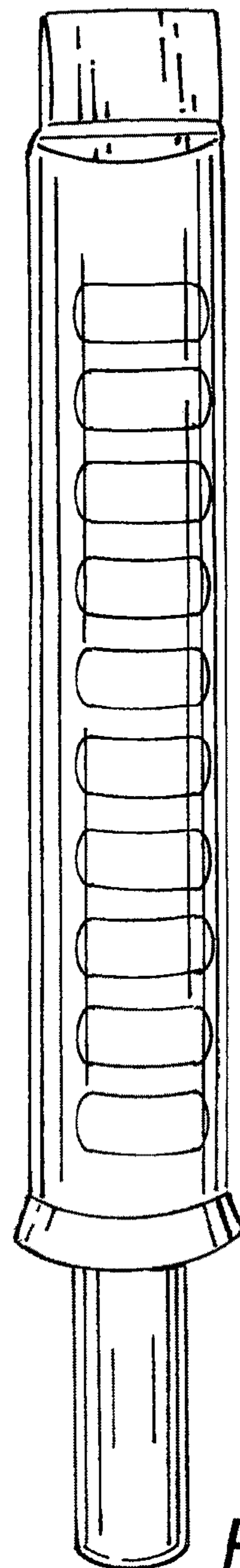


Fig. 2

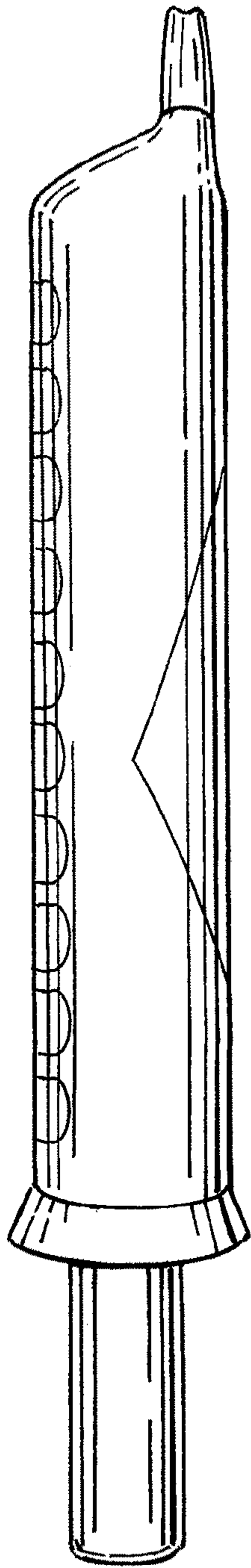


Fig. 3

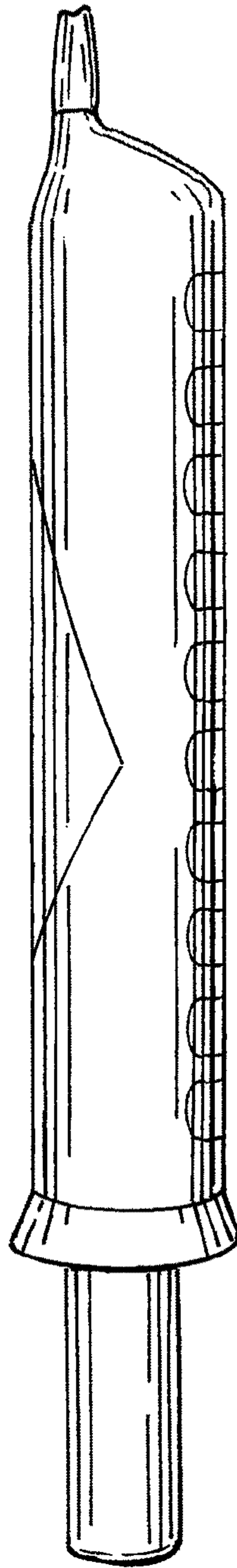


Fig. 4

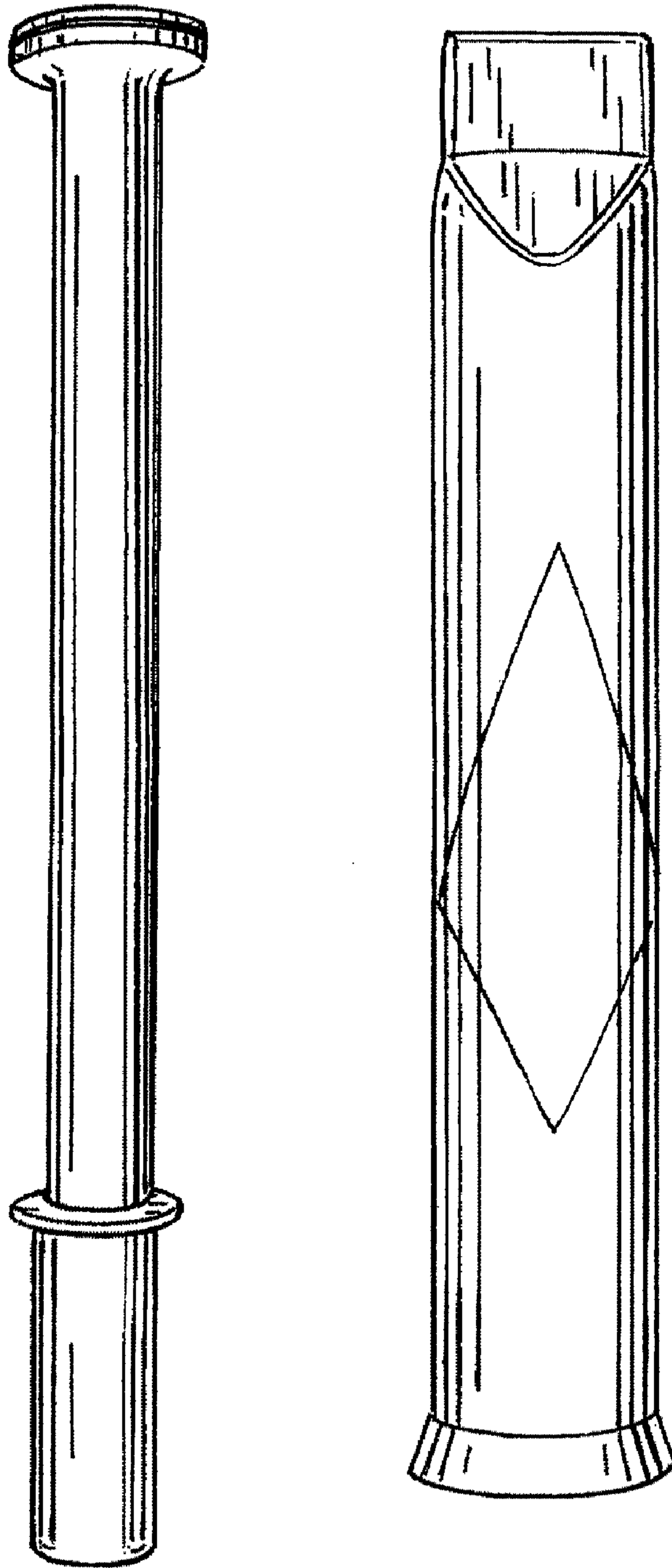


Fig. 5

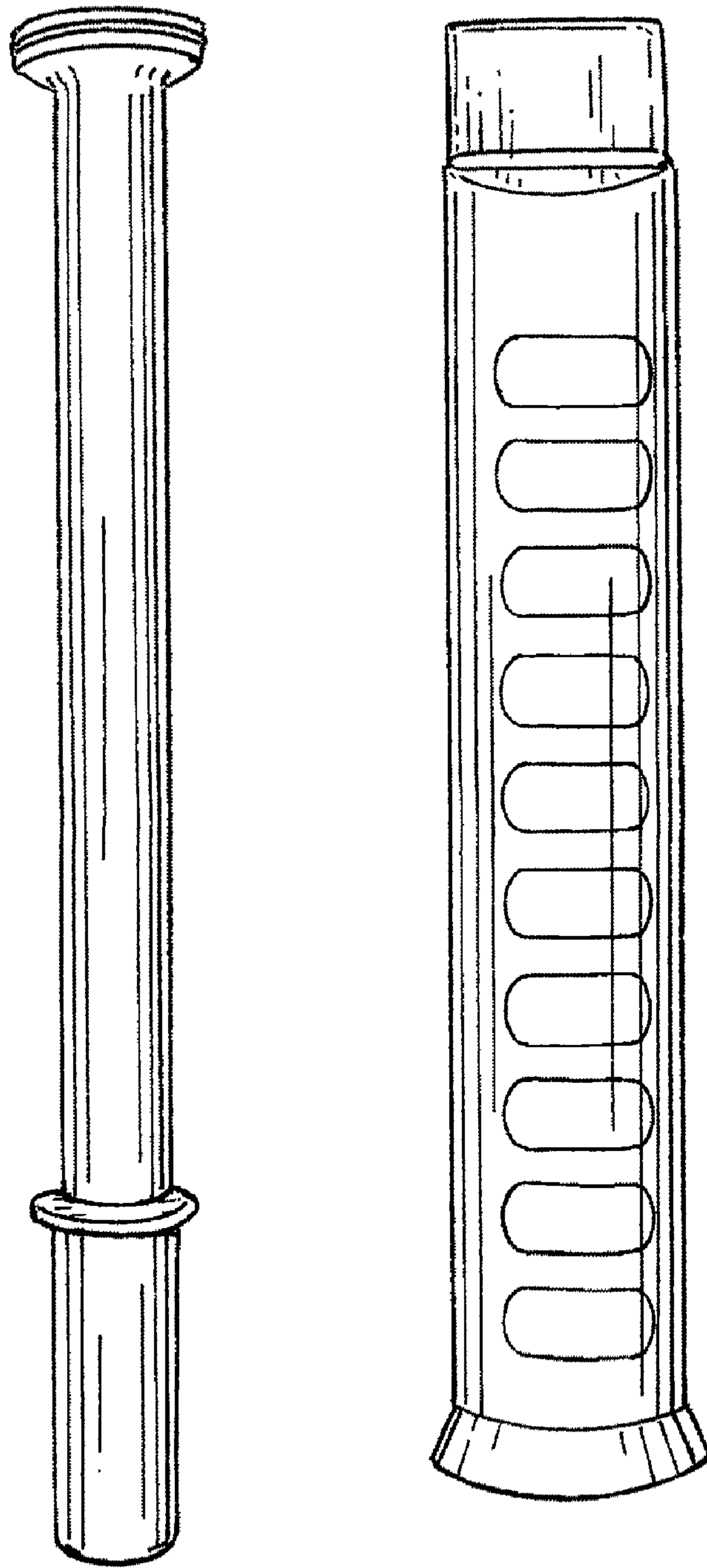


Fig. 6

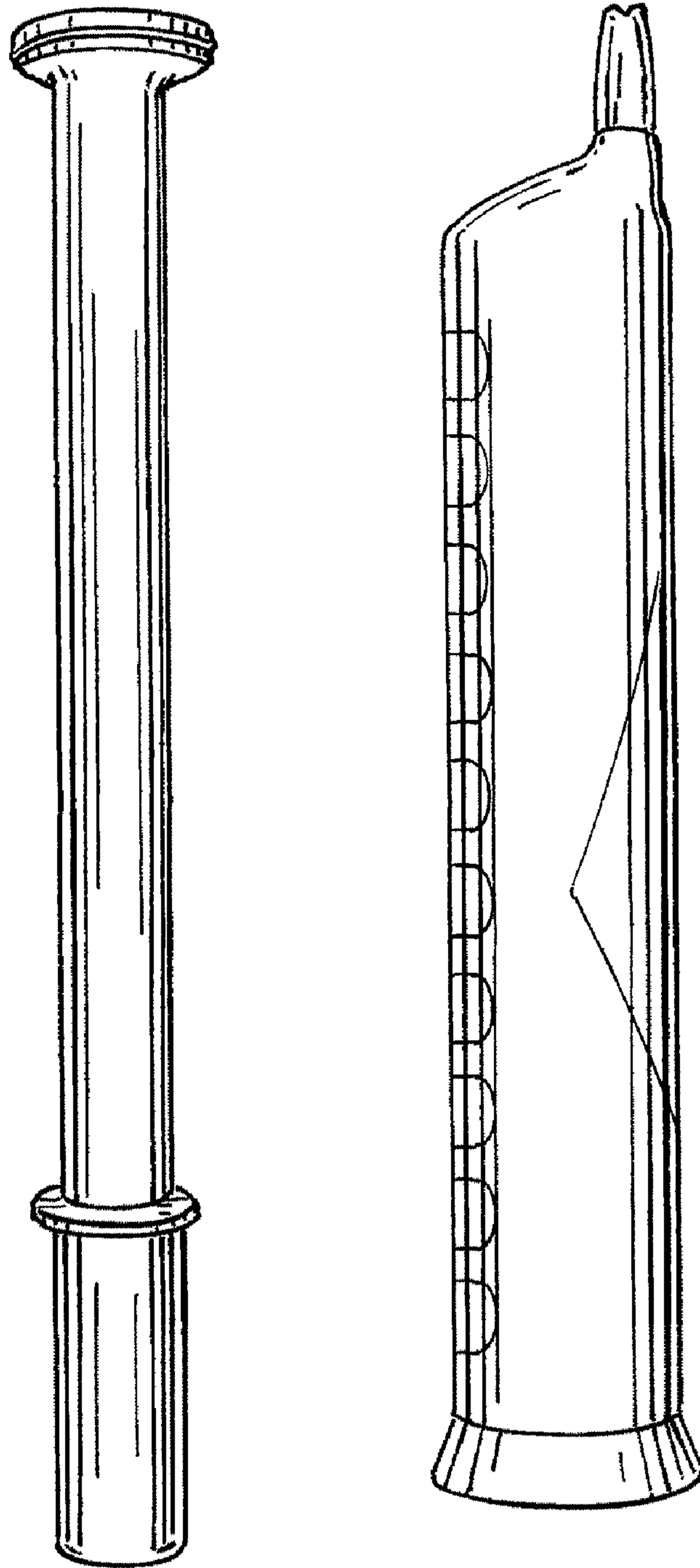


Fig. 7

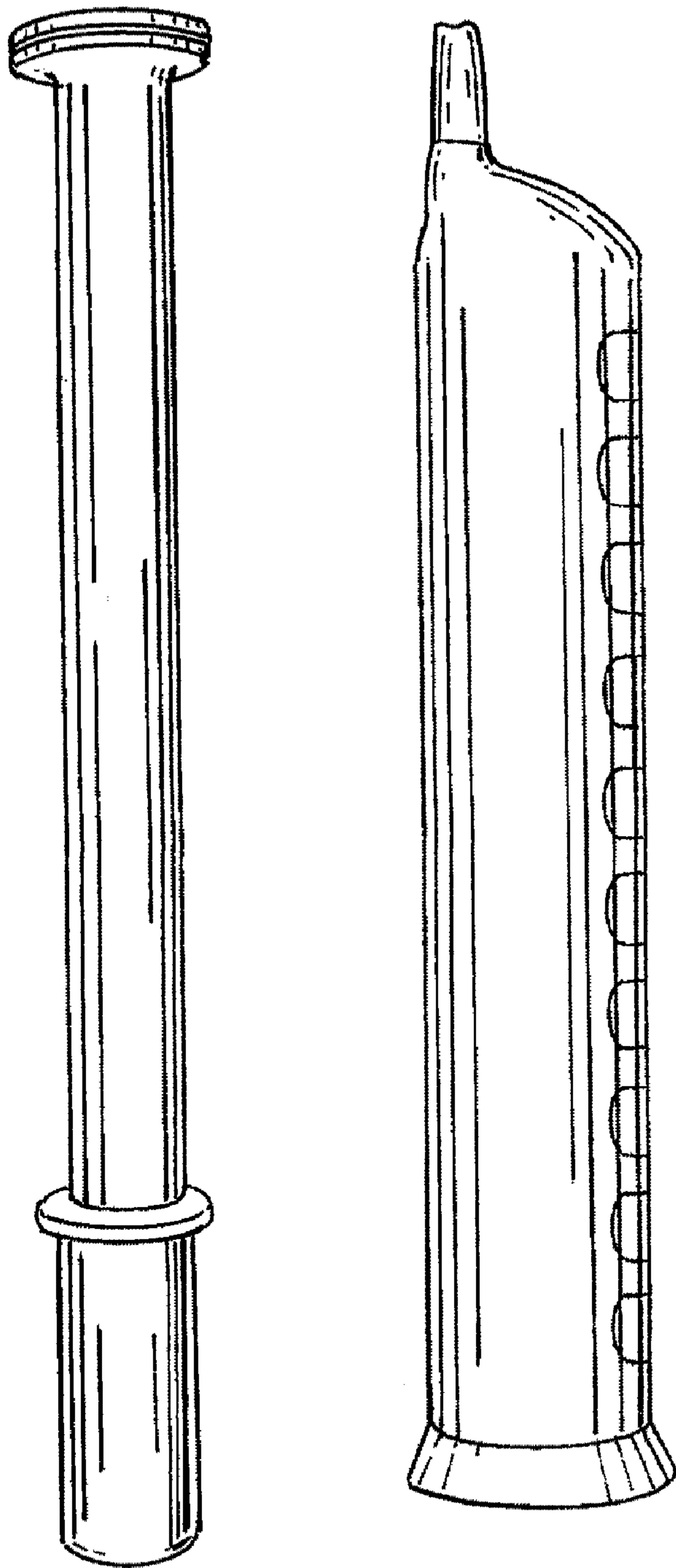


Fig. 8

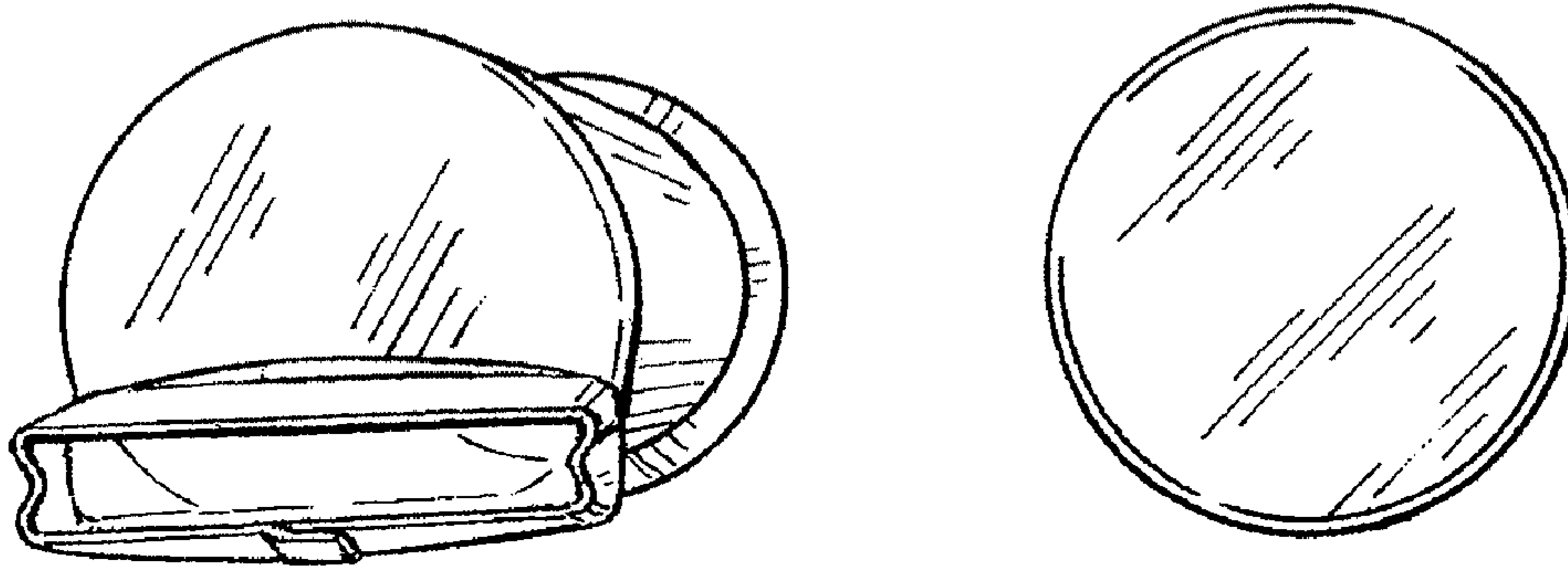


Fig. 9

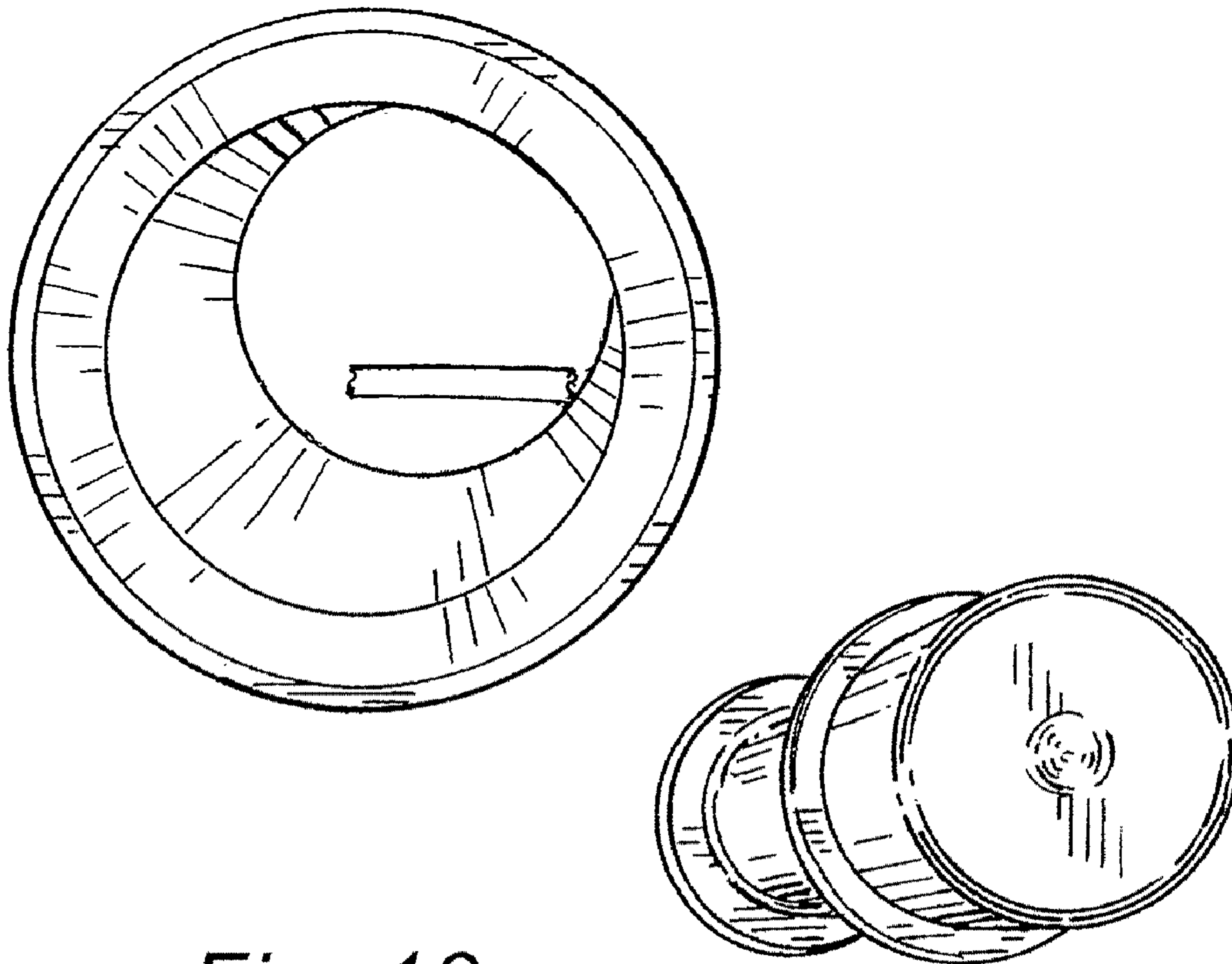


Fig. 10