



US00D582735S

(12) **United States Design Patent**
Bochmann et al.

(10) **Patent No.:** **US D582,735 S**

(45) **Date of Patent:** **** Dec. 16, 2008**

(54) **HANDLE HOUSING FOR COMBINED
CORDLESS STRING TRIMMER AND EDGER**

(75) Inventors: **Cherry Bochmann**, Bay Village, OH
(US); **Erin Riddell**, Bay Village, OH
(US)

(73) Assignee: **DESA IP, LLC**, Miami, FL (US)

(**) Term: **14 Years**

(21) Appl. No.: **29/280,569**

(22) Filed: **May 31, 2007**

(51) **LOC (8) Cl.** **08-01**

(52) **U.S. Cl.** **D8/8**

(58) **Field of Classification Search** D8/8,
D8/9; 30/276, 347; 56/12.7; 172/13, 15,
172/17

See application file for complete search history.

(56) **References Cited**

U.S. PATENT DOCUMENTS

| | | | | |
|-----------|------|---------|-----------------|---------|
| 6,052,976 | A * | 4/2000 | Cellini et al. | 56/17.4 |
| 6,116,349 | A * | 9/2000 | Wilson | 172/14 |
| D446,699 | S * | 8/2001 | Marshall et al. | D8/8 |
| D483,236 | S * | 12/2003 | Martin et al. | D8/8 |
| 6,742,263 | B2 * | 6/2004 | Ellson et al. | 30/276 |
| D510,512 | S * | 10/2005 | Robson | D8/8 |
| 6,973,728 | B2 * | 12/2005 | Ellson et al. | 30/276 |

D556,523 S * 12/2007 Nuesink et al. D8/8

* cited by examiner

Primary Examiner—Holly H Baynham

Assistant Examiner—Sheryl Lane

(74) *Attorney, Agent, or Firm*—Suiter Swantz pc llo

(57) **CLAIM**

The ornamental design for a handle housing for combined cordless string trimmer and edger, as shown and described.

DESCRIPTION

FIG. 1 is a perspective view of the handle housing for combined cordless string trimmer and edger of the present invention;

FIG. 2 is a right side view of the design of the present invention;

FIG. 3 is a left side view of the design of the present invention;

FIG. 4 is a top view of the design of the present invention;

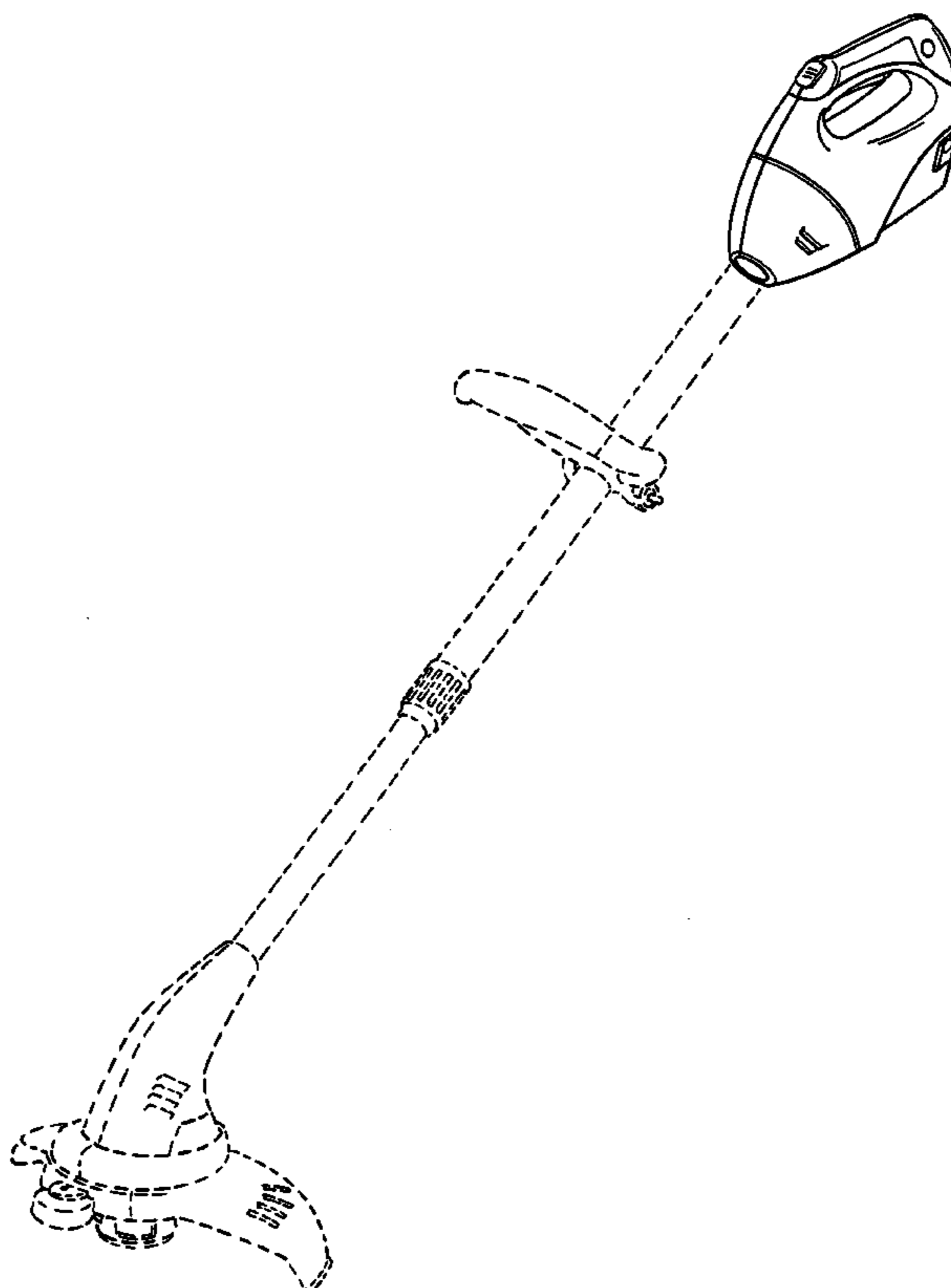
FIG. 5 is a bottom view of the design of the present invention;

FIG. 6 is a front view of the design of the present invention; and,

FIG. 7 is a rear view of the design of the present invention.

The broken line showing of the combined string trimmer and edger is included for the purpose of illustrating environment and forms no part of the claimed design.

1 Claim, 7 Drawing Sheets



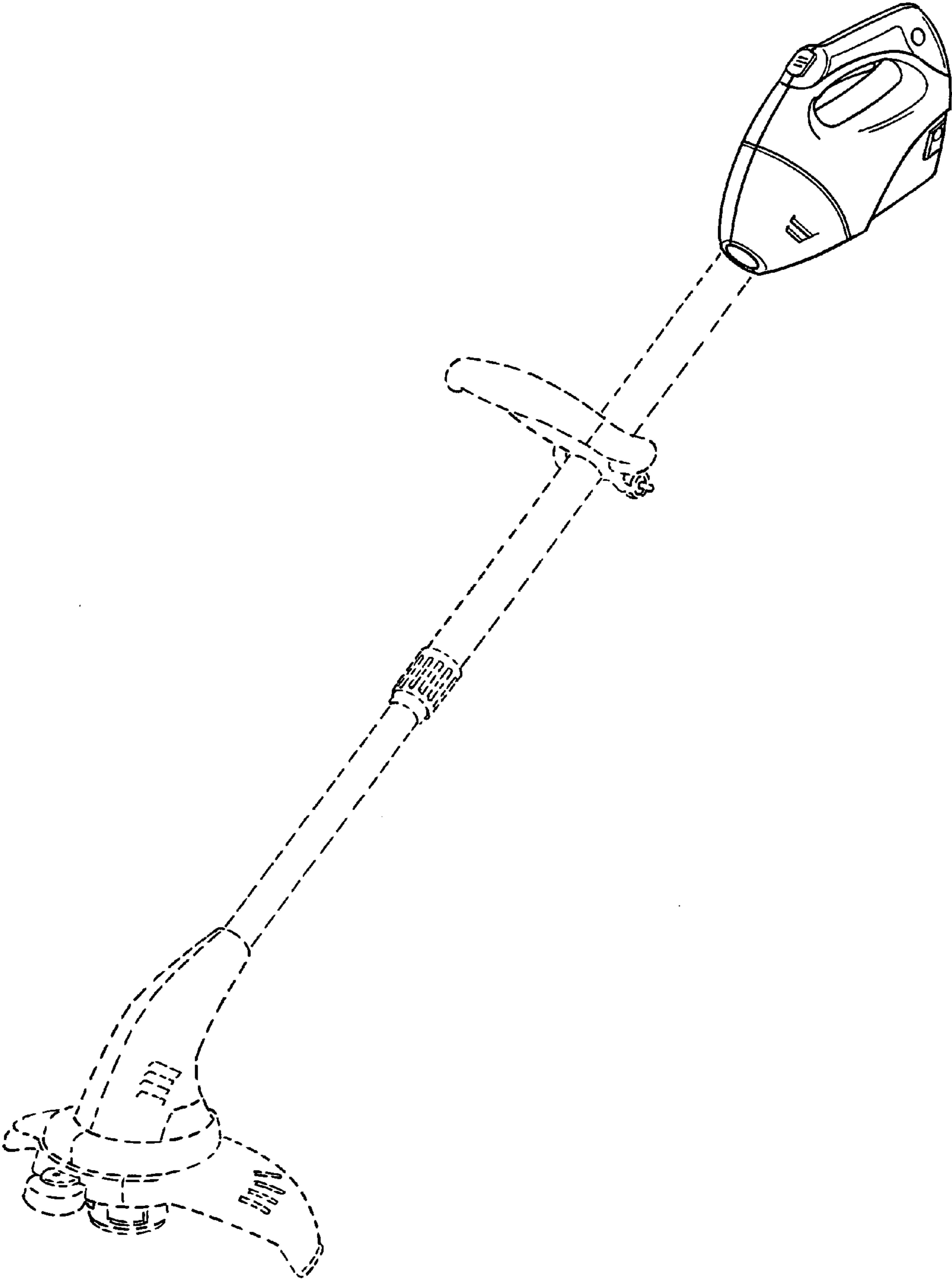


FIG. 1

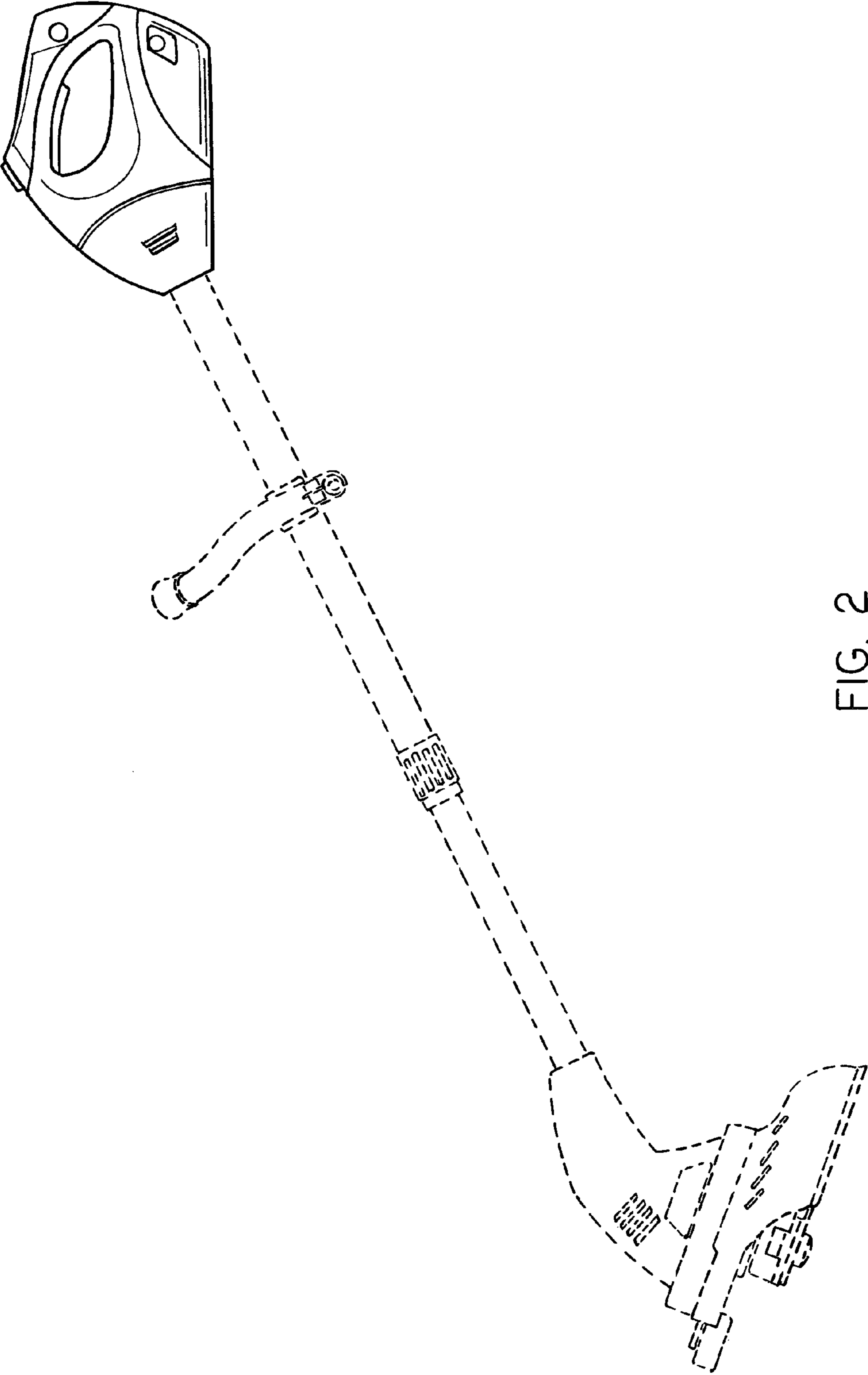


FIG. 2

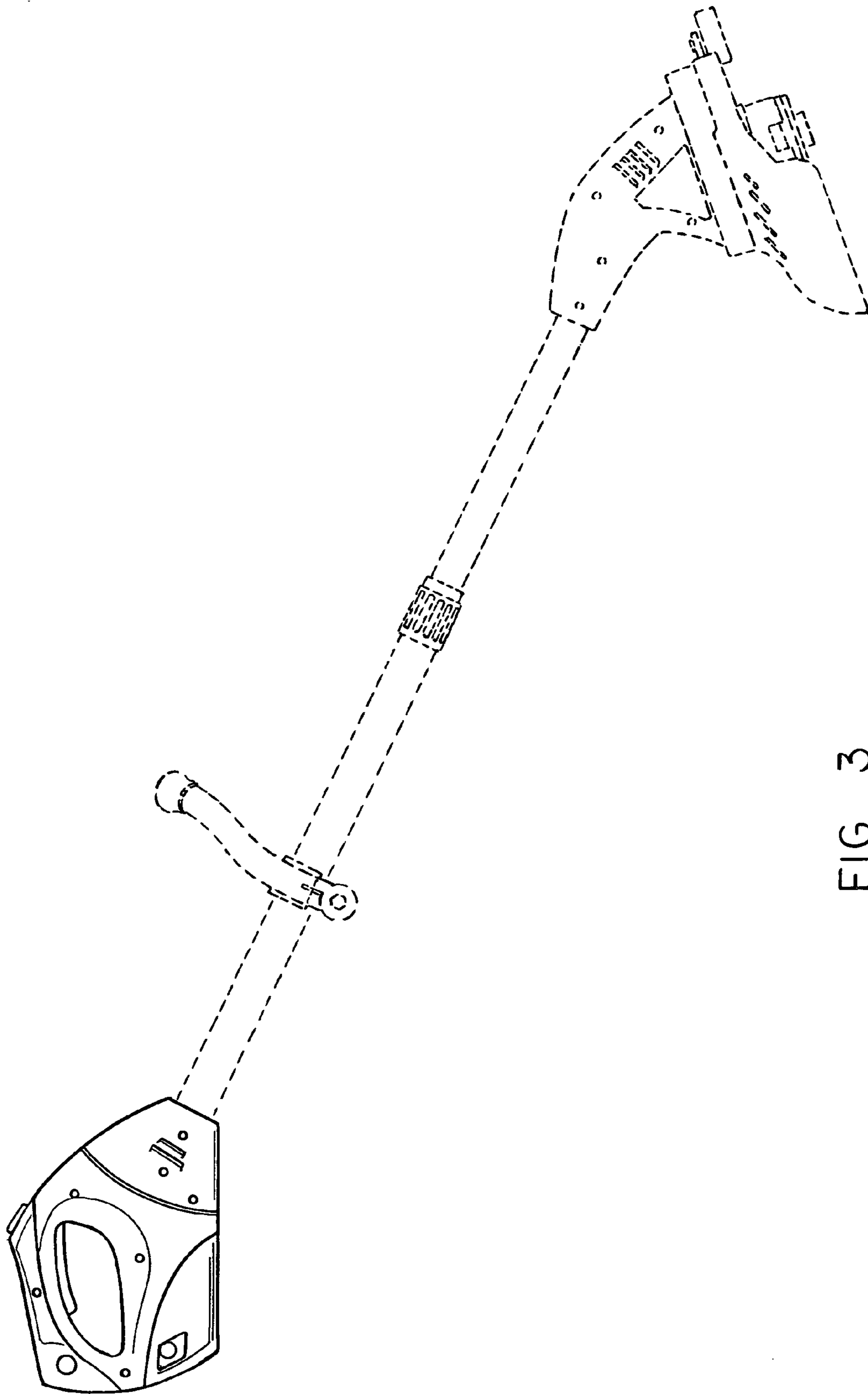


FIG. 3

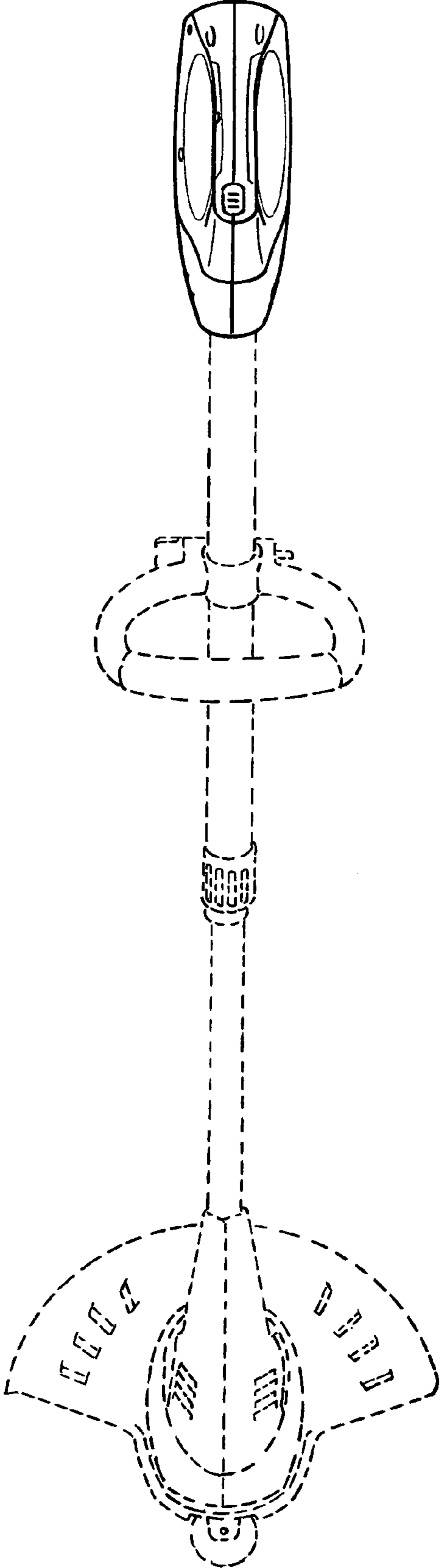


FIG. 4

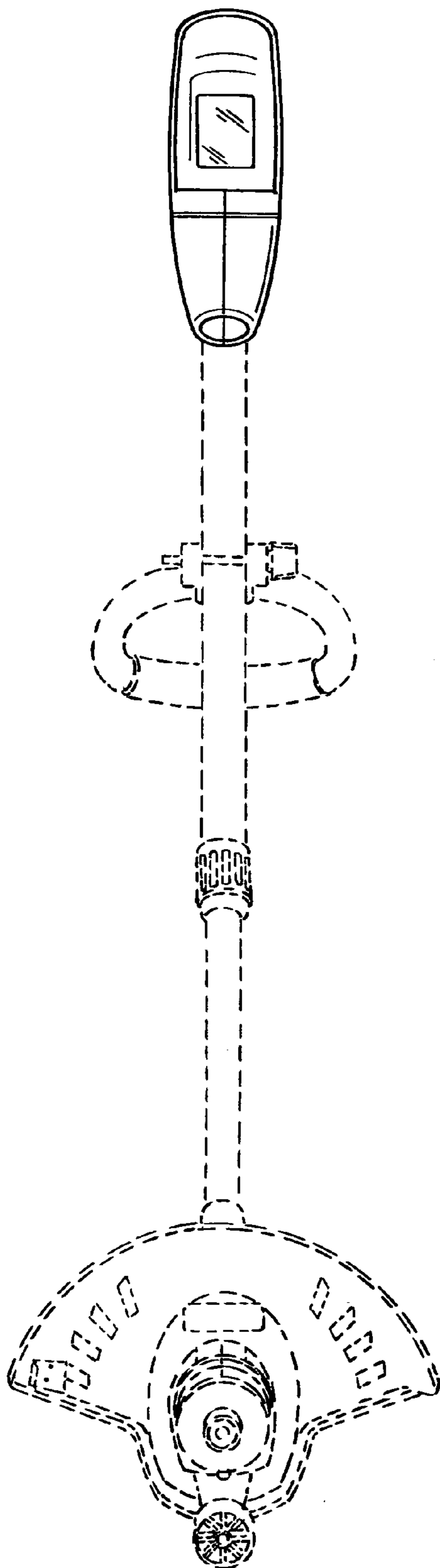


FIG. 5

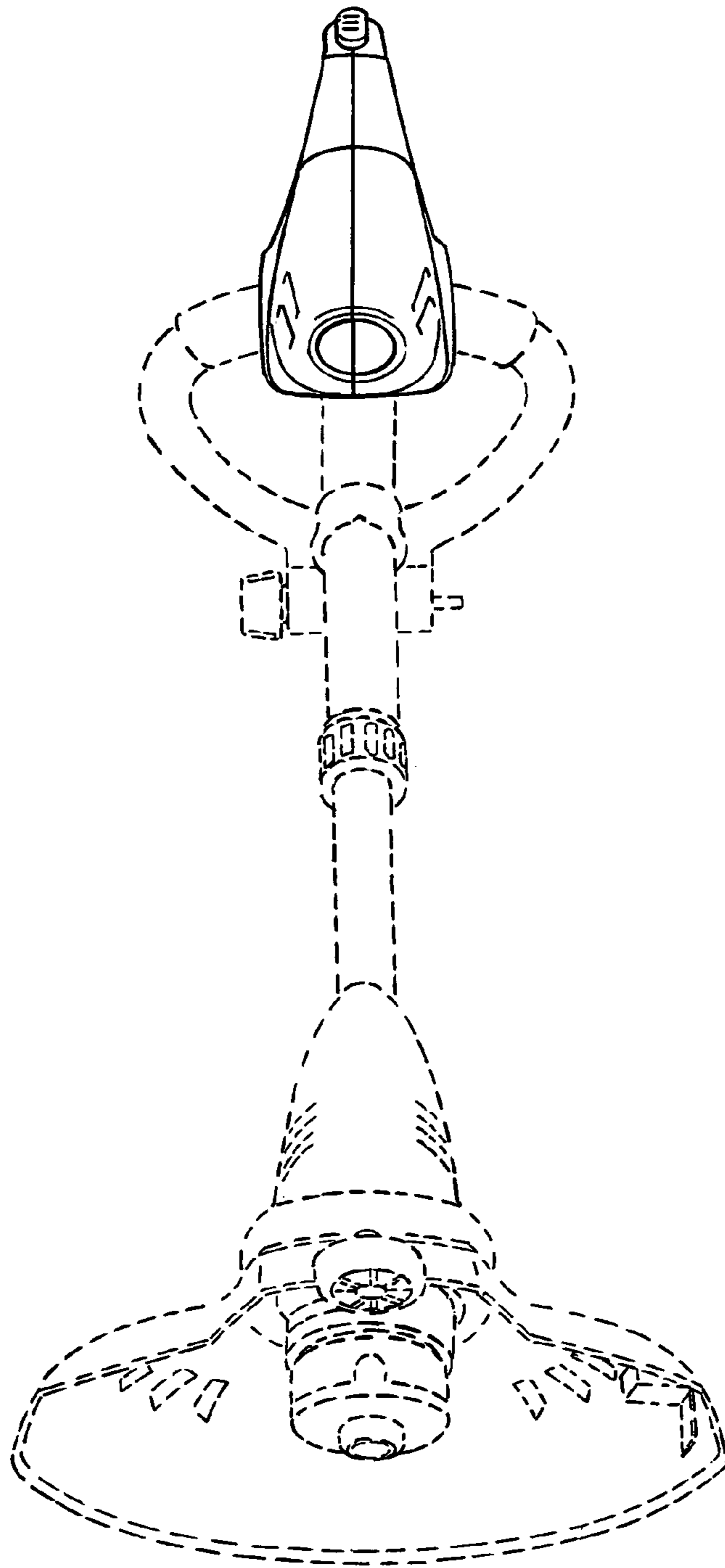


FIG. 6

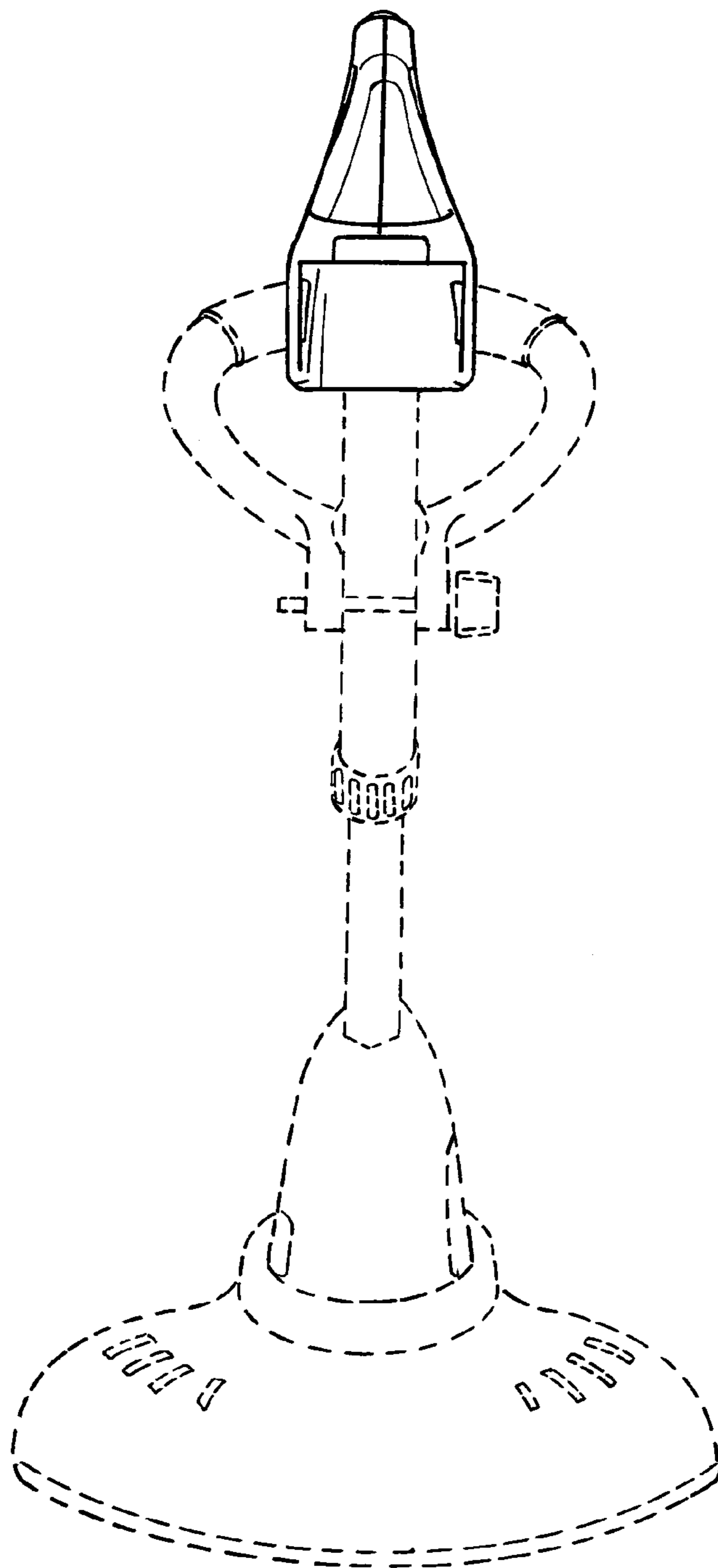


FIG. 7