



US00D582734S

(12) **United States Design Patent**
Murray et al.

(10) **Patent No.:** **US D582,734 S**

(45) **Date of Patent:** **** Dec. 16, 2008**

(54) **CULTIVATOR**

(75) Inventors: **Thomas W. Murray**, Baltimore, MD (US); **Patrick Wade Mooney**, Brockville (CA); **Joshua D. Eaton**, Athens (CA)

(73) Assignee: **Black & Decker Inc.**, Newark, DE (US)

(**) Term: **14 Years**

(21) Appl. No.: **29/264,764**

(22) Filed: **Aug. 17, 2006**

(51) **LOC (8) Cl.** **08-01**

(52) **U.S. Cl.** **D8/8**

(58) **Field of Classification Search** D8/8,
D8/9; 30/276, 347; 56/12.7; D15/12; 172/41,
172/43

See application file for complete search history.

(56) **References Cited**

U.S. PATENT DOCUMENTS

2,774,292	A	12/1956	Hartmann	
2,888,994	A	6/1959	Hoff et al.	
3,444,934	A	5/1969	Alberto	
4,003,436	A	1/1977	Foster et al.	
D248,654	S *	7/1978	Ruhl et al.	D15/12

FOREIGN PATENT DOCUMENTS

DE	1800229	10/1968
DE	6911220	3/1969
DE	2000741	1/1970
DE	2000742	1/1970
DE	GM 7724835	1/1978
DE	G 8406258.4	2/1984

DE	G 9307651.7	5/1993
DE	19633774 A1	8/1996
DE	19633775 C2	8/1996
DE	29800121 U1	1/1998
GB	2122461 A	1/1984
GB	2261149 A	5/1993
GB	2292059 A	2/1996
GB	2297887 A A	8/1996

Primary Examiner—Holly H Baynham
Assistant Examiner—Sheryl Lane
(74) *Attorney, Agent, or Firm*—John Yun; Bruce S. Shapiro; Wesley Muller

(57) **CLAIM**

The ornamental design for a cultivator, as shown and described.

DESCRIPTION

FIG. 1 is a perspective view of a cultivator showing our new design.

FIG. 2 is a front view of the cultivator according to FIG. 1.

FIG. 3 is a rear view of the cultivator according to FIG. 1.

FIG. 4 is a right side view of the cultivator according to FIG. 1.

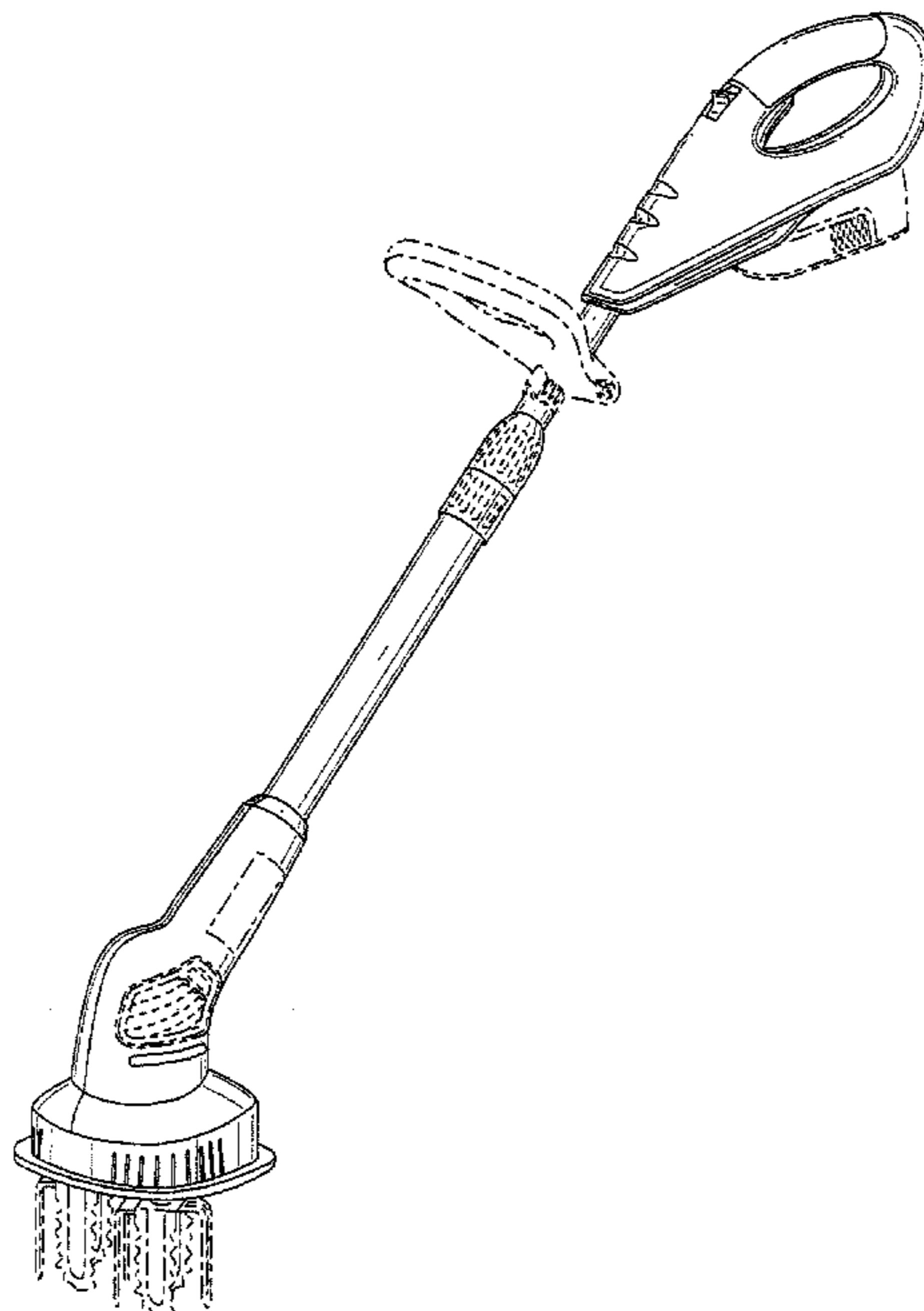
FIG. 5 is a left side view of the cultivator according to FIG. 1.

FIG. 6 is a top view of the cultivator according to FIG. 1; and,

FIG. 7 is a bottom view of cultivator according to FIG. 1.

In the above drawings the broken lines and the areas within the broken lines form no part of the claimed design.

1 Claim, 5 Drawing Sheets



US D582,734 S

Page 2

U.S. PATENT DOCUMENTS

4,213,504	A	7/1980	Schneider				
D265,826	S *	8/1982	Holmstadt et al.	D15/12		
4,421,176	A	12/1983	Tuggle et al.				
4,501,332	A	2/1985	Straayer				
5,142,853	A	9/1992	Routery				
5,234,241	A	8/1993	Ikerd				
5,491,963	A	2/1996	Jerez				
D368,005	S *	3/1996	Lemcke	D8/8		
D377,743	S *	2/1997	DeMore et al.	D8/8		
5,730,225	A	3/1998	Fults				
D398,817	S *	9/1998	Meisner et al.	D8/8		
5,810,093	A	9/1998	Howard				
5,850,882	A	12/1998	Link				
5,865,259	A	2/1999	Catto				
D415,502	S *	10/1999	Yoshida	D15/12		
6,189,627	B1	2/2001	Marshall et al.				
D449,052	S *	10/2001	Ito et al.	D15/12		
D450,226	S *	11/2001	Martin	D8/8		
6,340,061	B2	1/2002	Marshall et al.				
6,349,776	B1	2/2002	Hus				
6,634,435	B2	10/2003	Saeger				
D486,502	S *	2/2004	Yuzuriha et al.	D15/12		
6,843,324	B2	1/2005	Basek				
6,904,977	B2	6/2005	Zerrer et al.				
D540,827	S *	4/2007	Notaras et al.	D15/12		
7,314,096	B2 *	1/2008	Shaffer et al.	172/372		
2003/0230420	A1	12/2003	Brown				

* cited by examiner

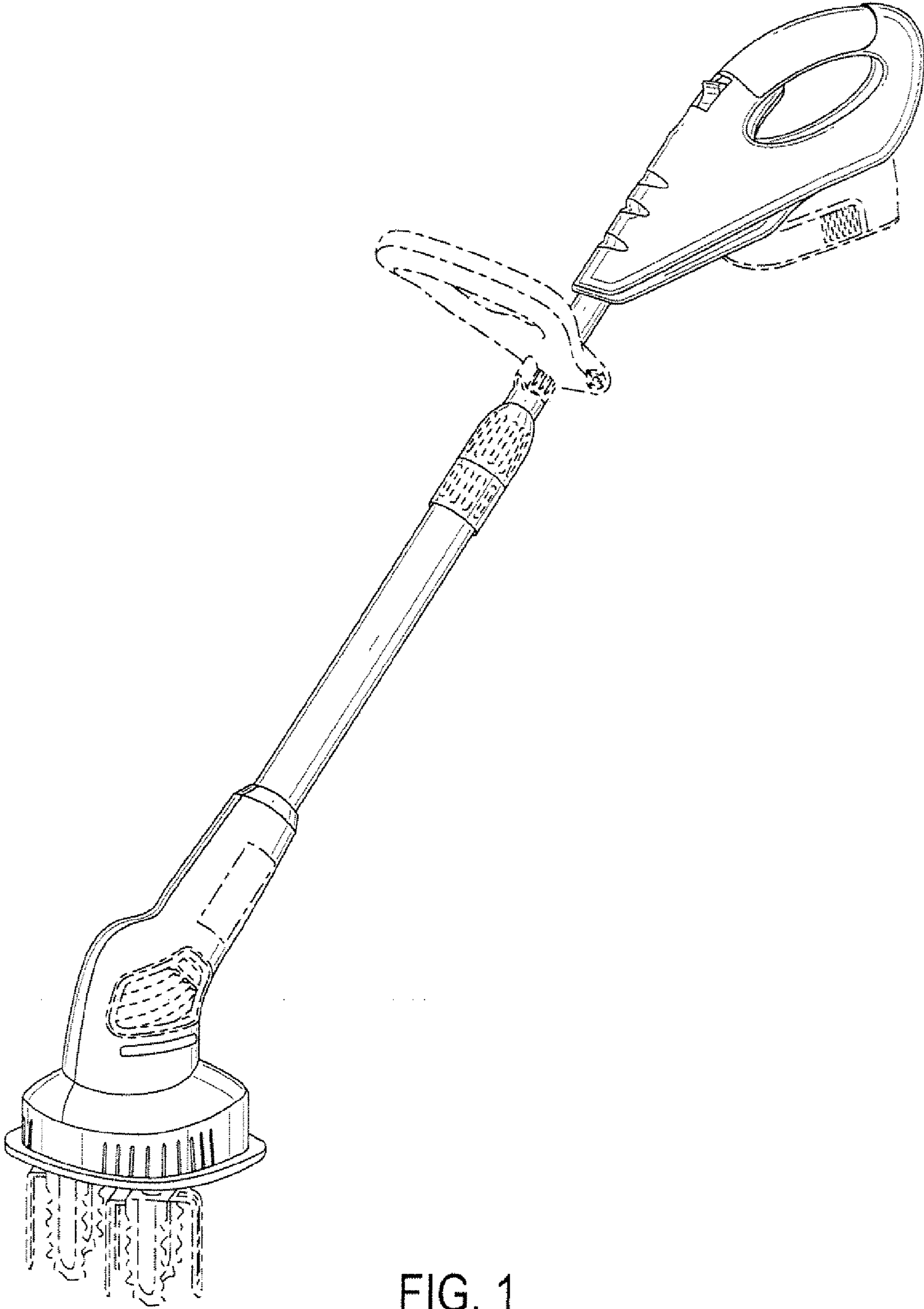


FIG. 1

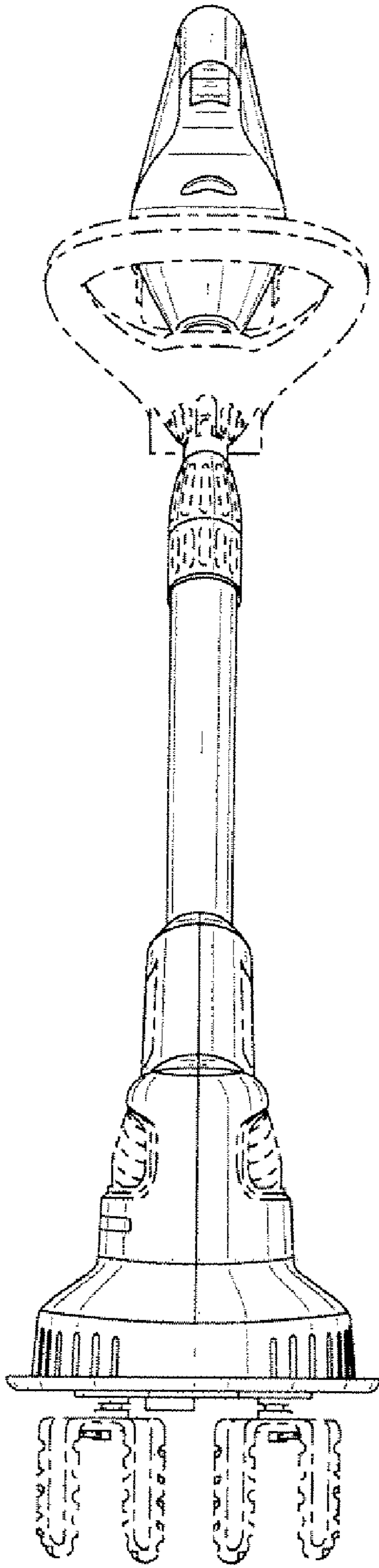


FIG. 2

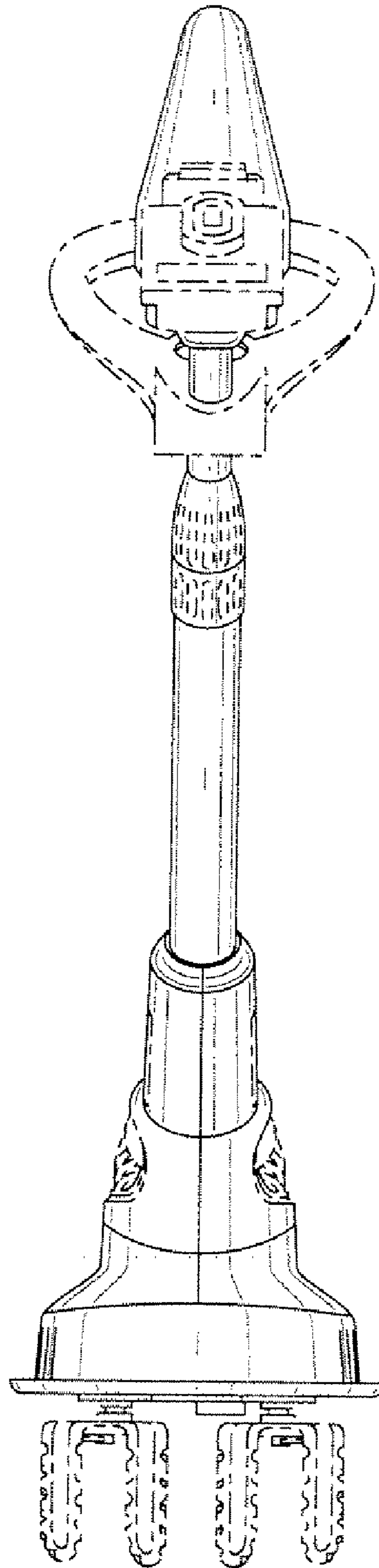


FIG. 3

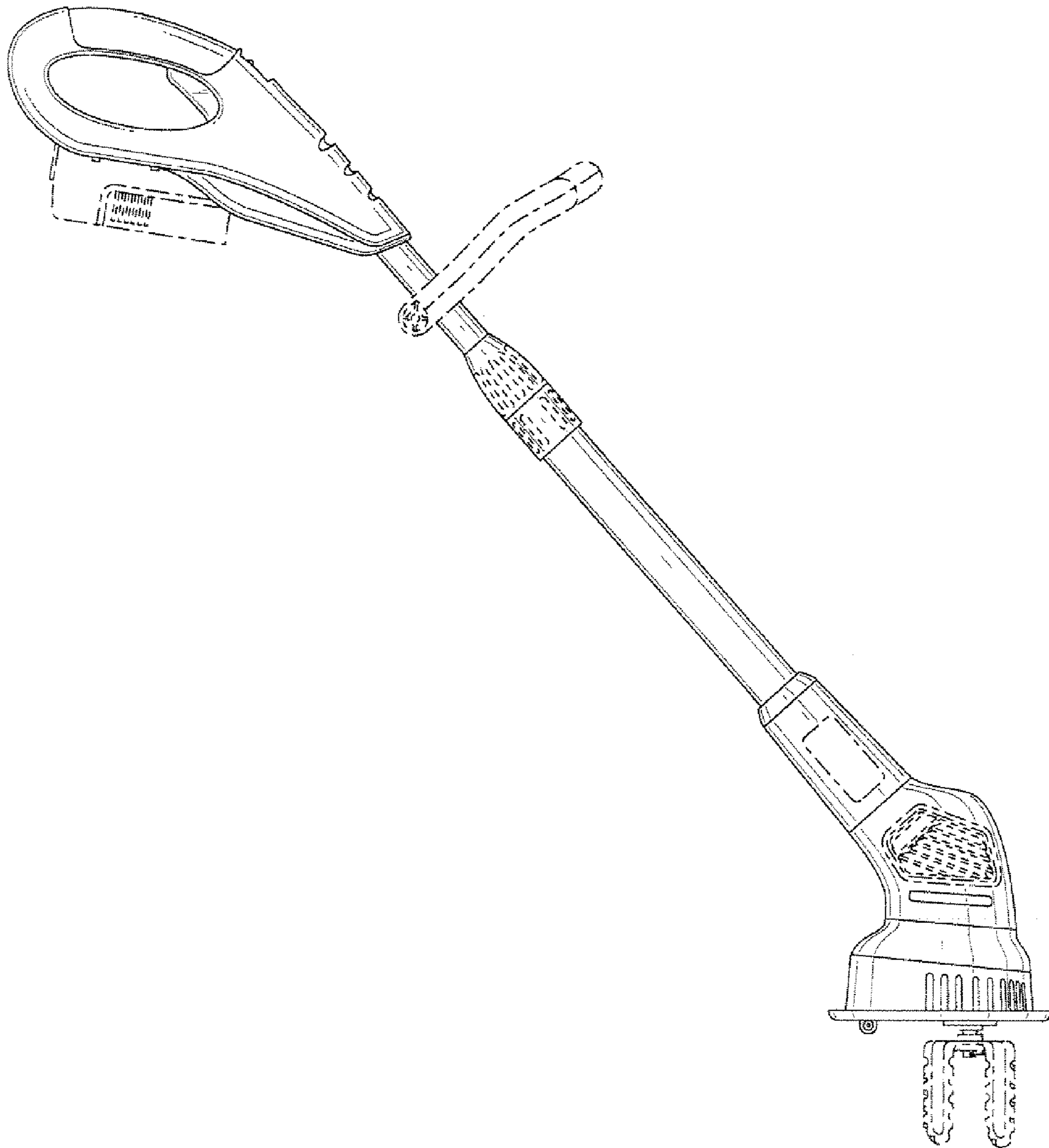


FIG. 4

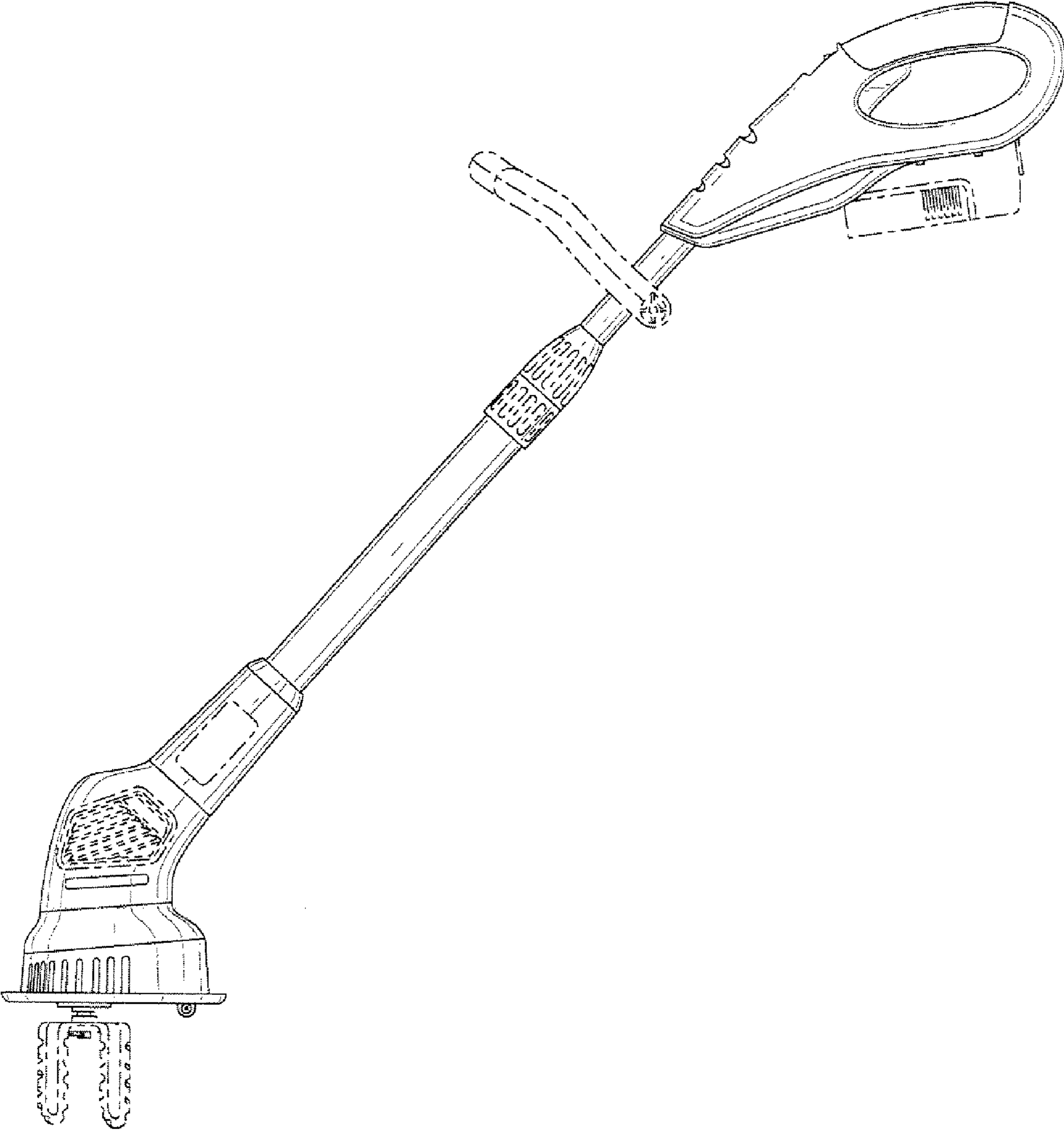


FIG. 5

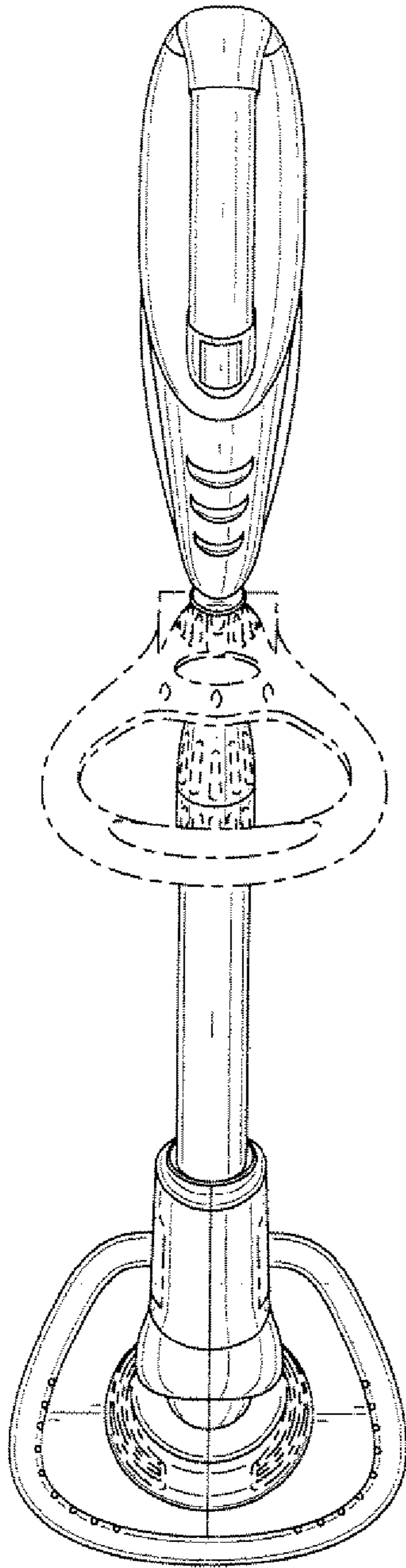


FIG. 6

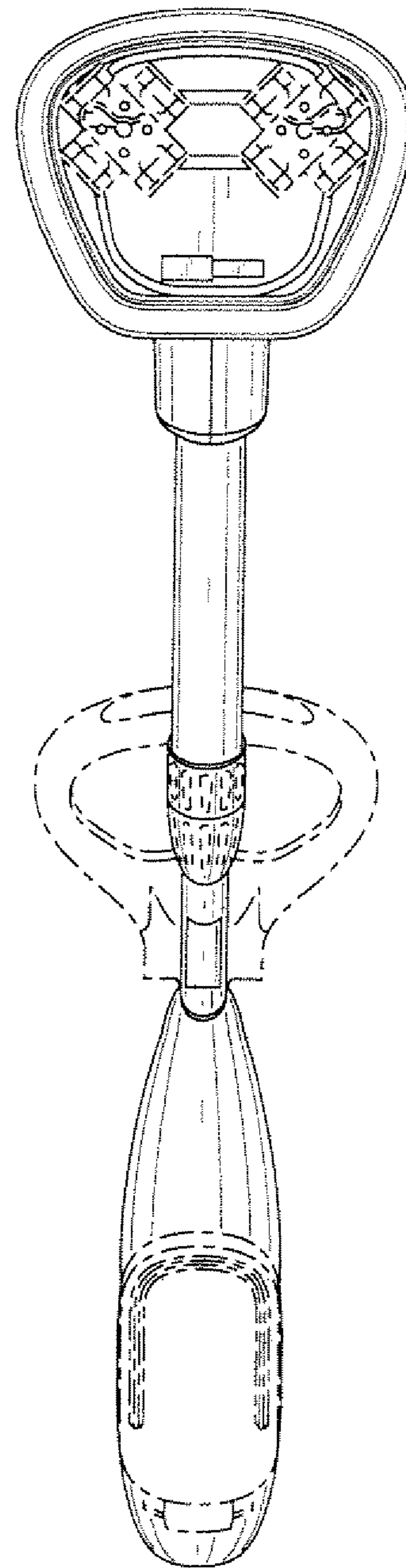


FIG. 7