



US00D582732S

(12) **United States Design Patent**
Cox

(10) **Patent No.:** **US D582,732 S**
(45) **Date of Patent:** **** Dec. 16, 2008**

(54) **STAKE WITH ATTACHED CLIP AND
REMOVABLE VARIABLE ORNAMENTAL
TOP**

(76) Inventor: **Jon C. Cox**, 1123 Azul Ct., Oceanside,
CA (US) 92057

(**) Term: **14 Years**

(21) Appl. No.: **29/293,299**

(22) Filed: **Nov. 15, 2007**

(51) **LOC (8) Cl.** **08-01**

(52) **U.S. Cl.** **D8/1**

(58) **Field of Classification Search** D8/1,
D8/356; 47/47; 135/118; D26/67; 248/87,
248/156

See application file for complete search history.

(56) **References Cited**

U.S. PATENT DOCUMENTS

D378,980 S *	4/1997	Thayer et al.	D8/1
D379,416 S *	5/1997	Adams	D8/1
D415,018 S *	10/1999	Uhler	D21/840
D438,435 S *	3/2001	Whyte	D8/1
D469,566 S *	1/2003	Gary et al.	D26/138
D470,035 S *	2/2003	Tisbo et al.	D8/356
D491,029 S *	6/2004	Atkins et al.	D8/1
D516,029 S *	2/2006	Stekelenburg	D13/139.4
D553,919 S *	10/2007	Gross et al.	D8/1

* cited by examiner

Primary Examiner—Holly H Baynham

Assistant Examiner—Sheryl Lane

(74) *Attorney, Agent, or Firm*—Richard D. Clarke

(57) **CLAIM**

I claim the ornamental design for a stake with attached clip and removable variable ornamental top, as shown and described.

DESCRIPTION

FIG. 1 is a side elevation view of the stake with one attached clip, shown in use with an attached removable variable ornamental top;

FIG. 2 is a side elevation view of the stake portion alone;

FIG. 3 is a bottom view of the stake portion alone;

FIG. 4 is another side elevation view of the stake portion alone;

FIG. 5 is a bottom view of the stake portion alone;

FIG. 6 is another side elevation view of the stake portion alone;

FIG. 7 is a bottom view of the stake portion alone;

FIG. 8 is a top plan view of the stake portion alone;

FIG. 9 is a side elevation view of the removable variable ornamental top alone;

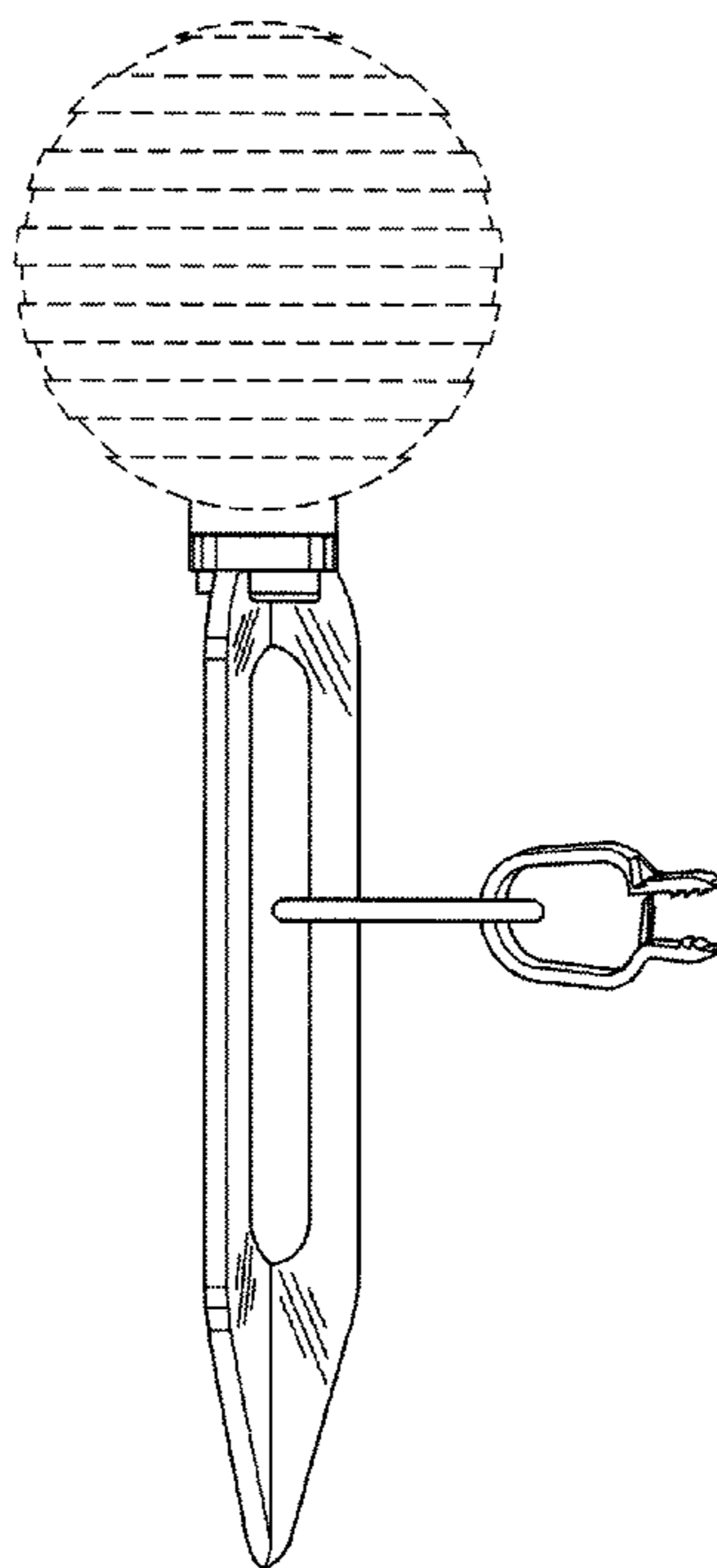
FIG. 10 is a bottom view of the removable variable ornamental top alone; and,

FIG. 11 is a bottom perspective view of the removable variable ornamental top alone.

FIG. 2–11 are shown separated for ease of illustration.

The broken line showing of the top is shown for environmental purposes only and forms no part of the claimed design.

1 Claim, 3 Drawing Sheets



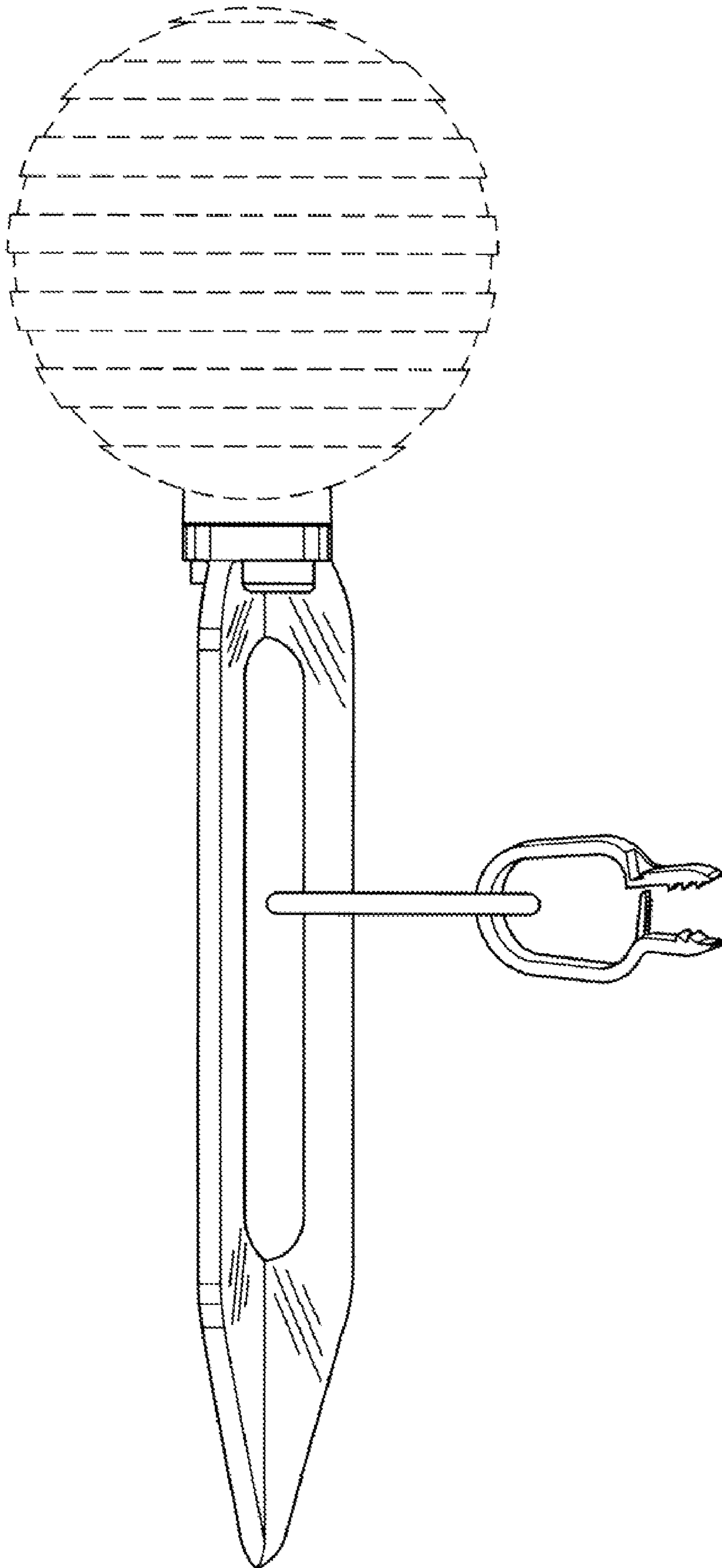


FIG. 1

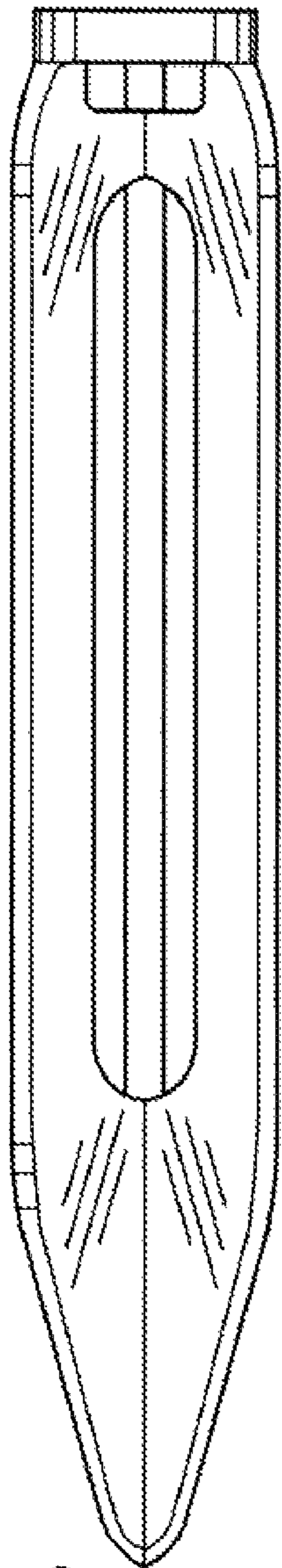


FIG. 2

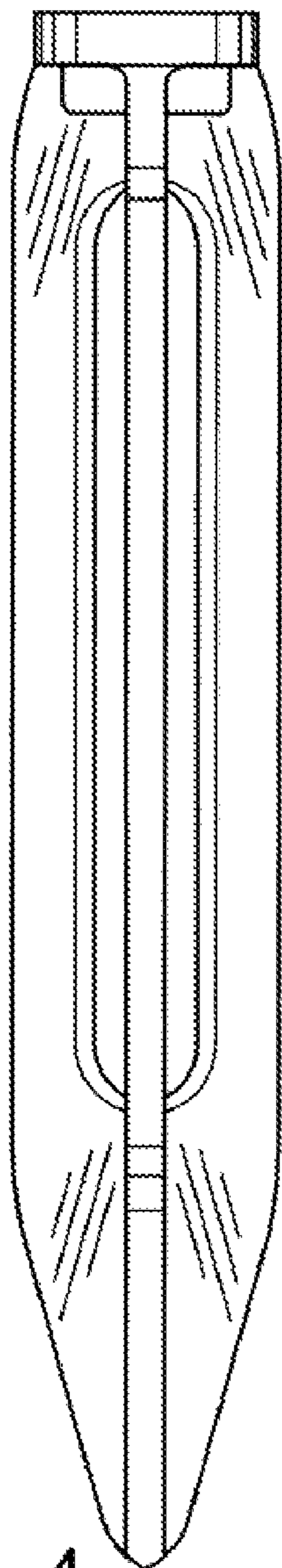


FIG. 4

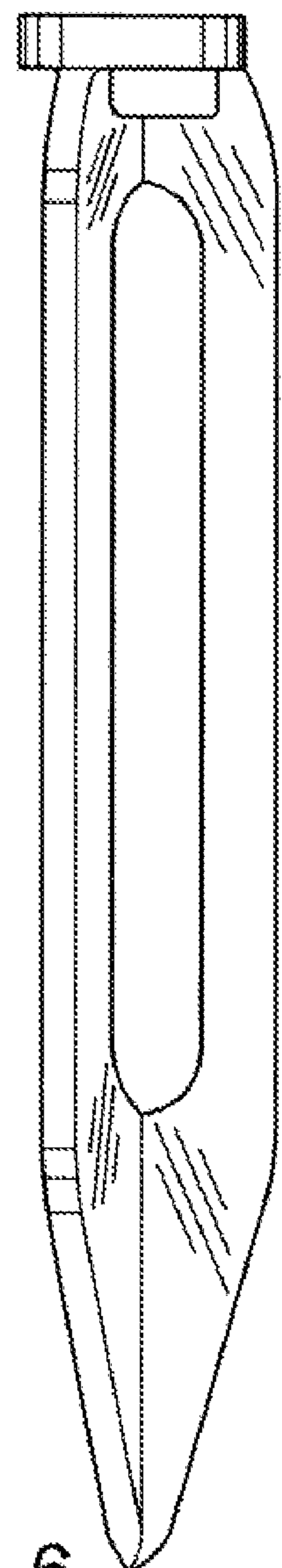


FIG. 6

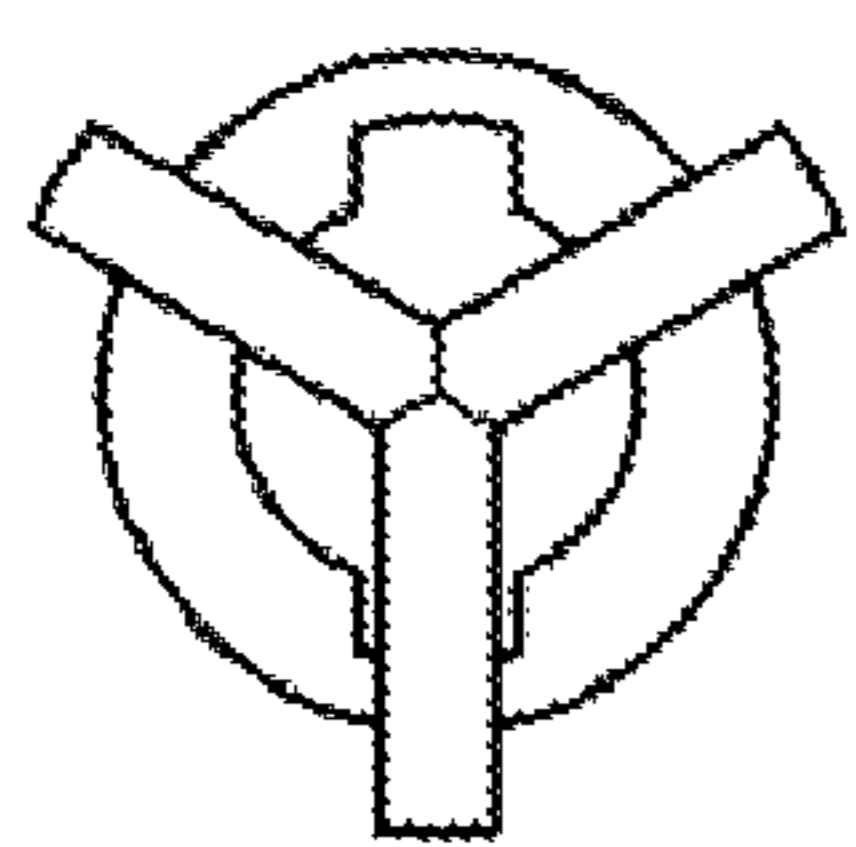


FIG. 3

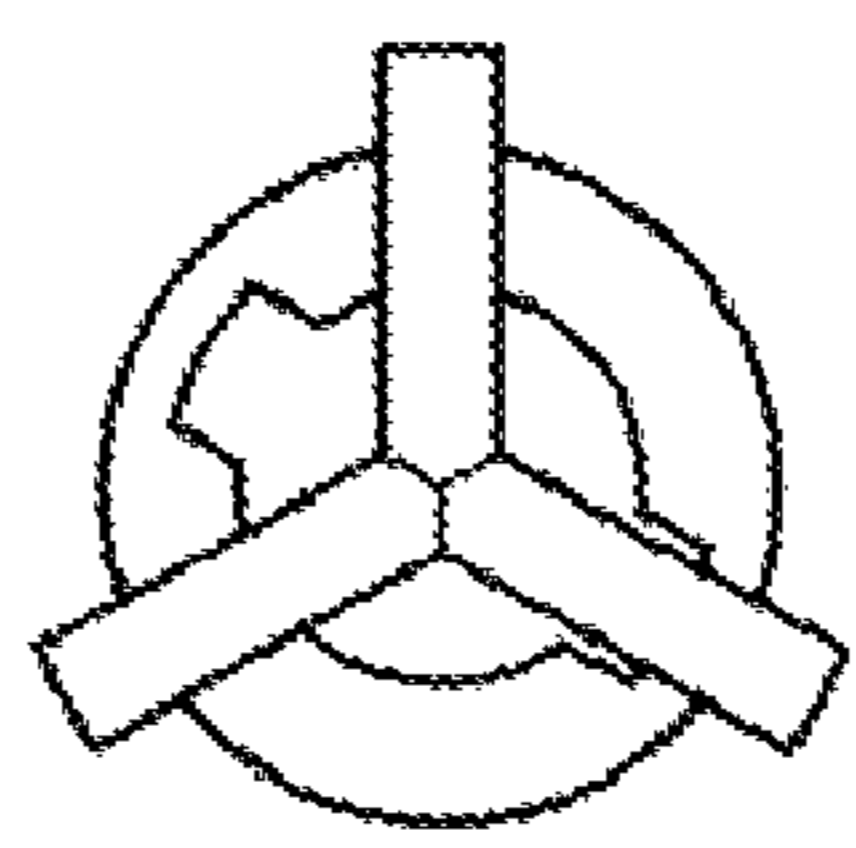


FIG. 5

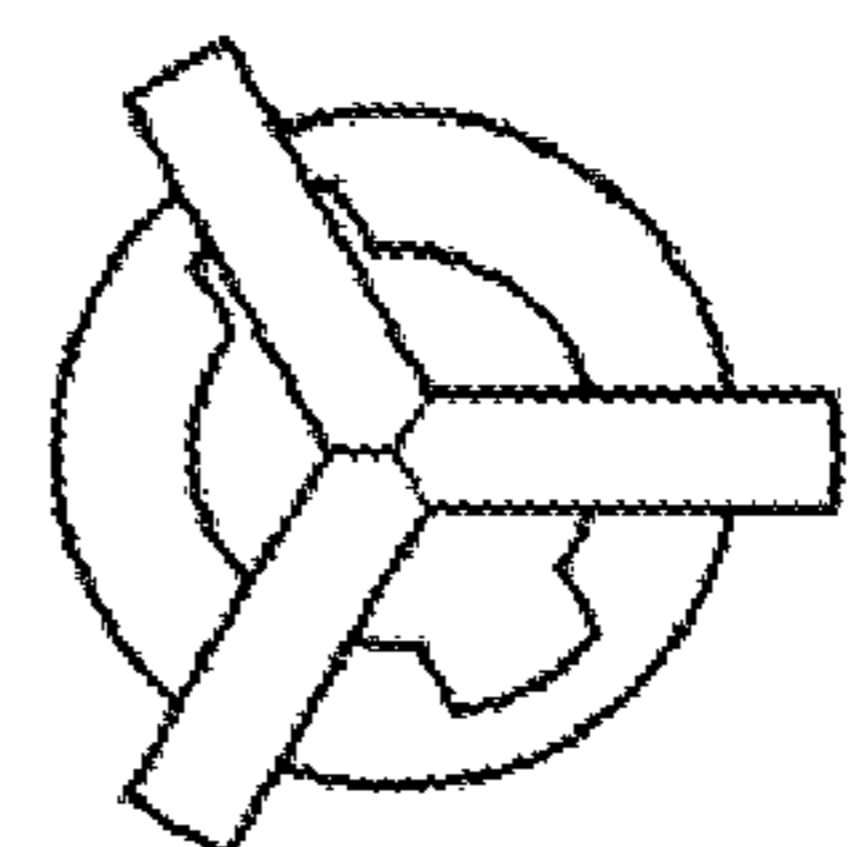


FIG. 7

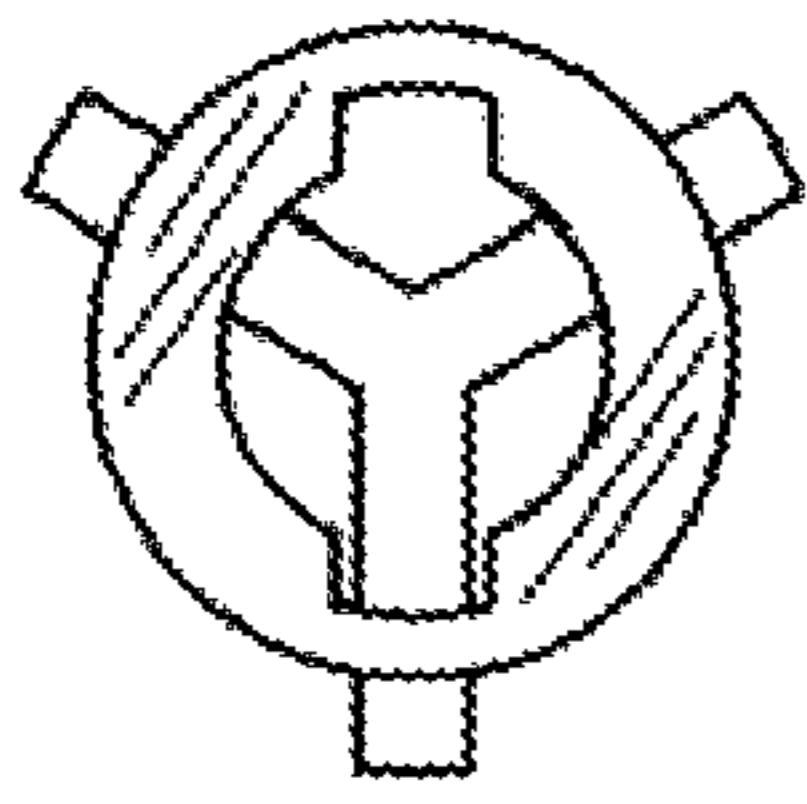


FIG. 8

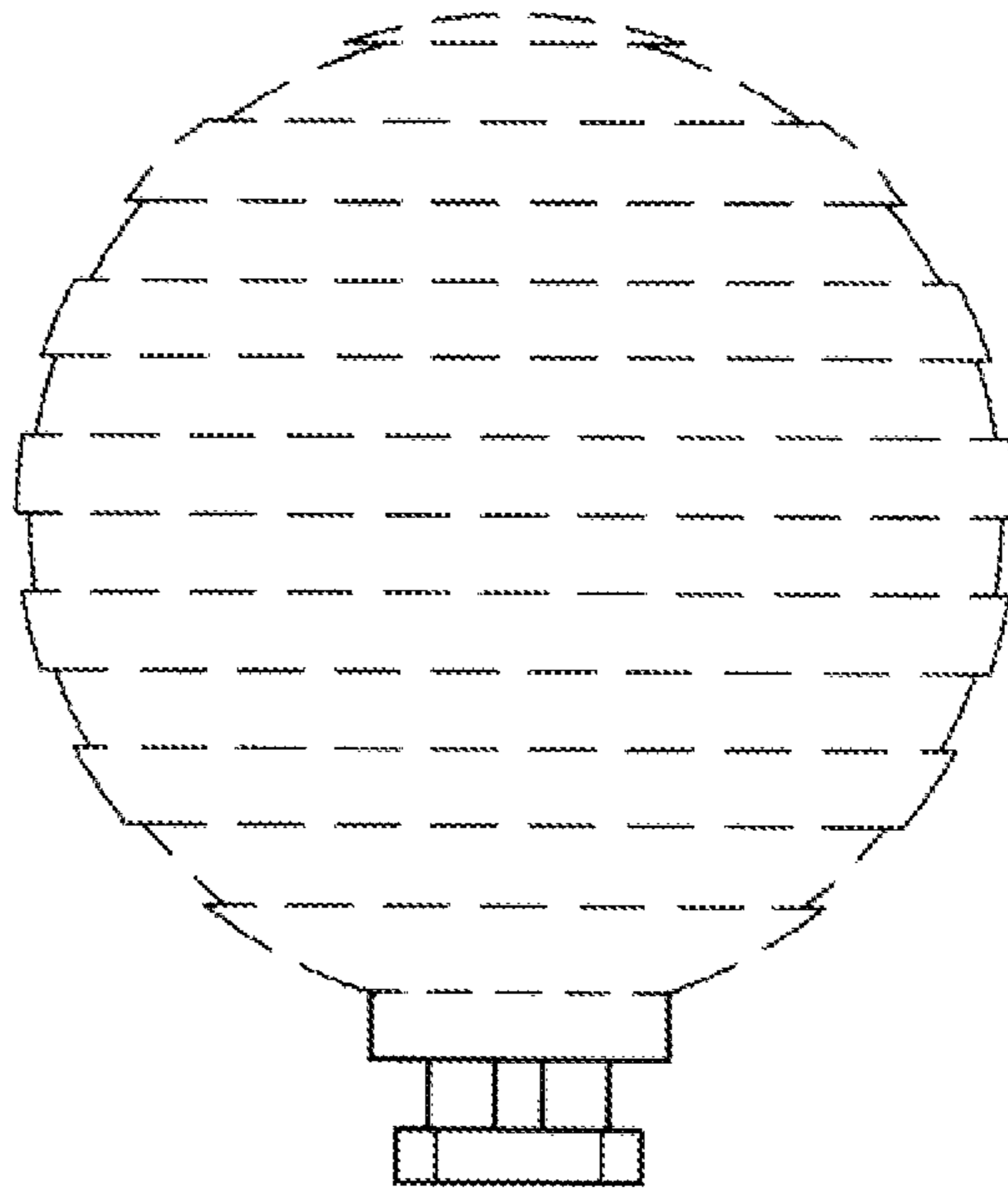


FIG. 9

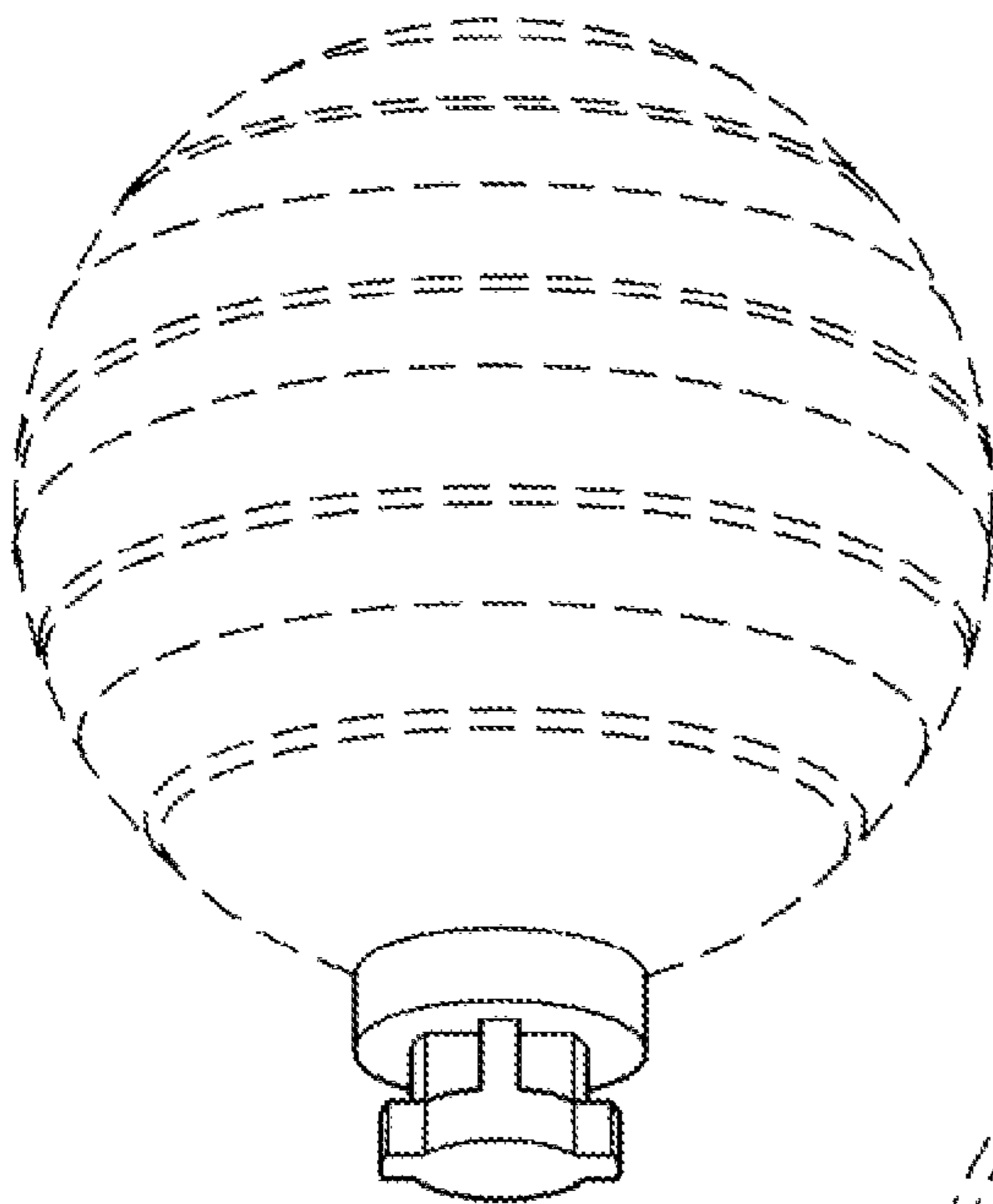


FIG. 11

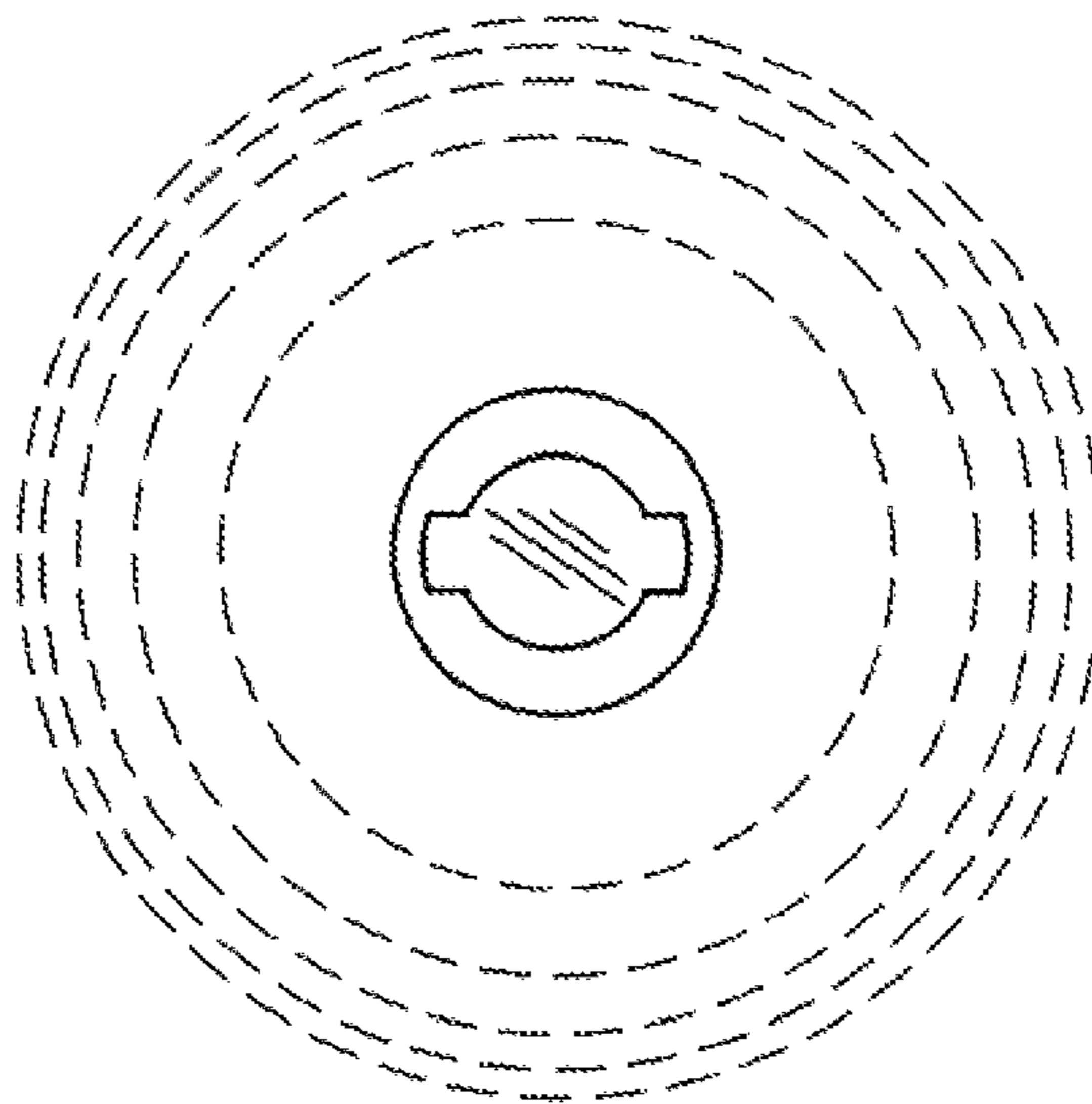


FIG. 10