



US00D582726S

(12) **United States Design Patent**
Olsson

(10) **Patent No.:** **US D582,726 S**

(45) **Date of Patent:** **** Dec. 16, 2008**

(54) **TRAY FOR PACKING FOODS**

(75) Inventor: **Kenth Olsson**, Halmstad (SE)

(73) Assignee: **Duni AB** (SE)

(**) Term: **14 Years**

(21) Appl. No.: **29/275,069**

(22) Filed: **Dec. 12, 2006**

(30) **Foreign Application Priority Data**

Jun. 13, 2006 (EM) 000543913-0001

Jun. 13, 2006 (EM) 000543913-0002

Jun. 13, 2006 (EM) 000543913-0003

(51) **LOC (8) Cl.** **07-01**

(52) **U.S. Cl.** **D7/554.4; D9/424**

(58) **Field of Classification Search** D7/542,
D7/545, 550.1, 552.1, 553.1, 553.6, 554.2,
D7/555, 669, 682, 688, 683, 686, 354, 356,
D7/360, 376, 380, 553.4, 553.7, 642, 566,
D7/570, 501; D9/428, 429, 431, 500, 502,
D9/737, 761, 420, 422-426, 414-418; 220/904,
220/23.83, 574, 212, 657, 659, 755, 771,
220/555-557, 500, 506, 528, 529; 206/821,
206/822, 223, 541, 557, 564; 426/106, 119,
426/120, 127

See application file for complete search history.

(56) **References Cited**

U.S. PATENT DOCUMENTS

202,939	A	*	4/1878	Frost et al.	220/574
D285,514	S	*	9/1986	Ritman	D7/354
D505,082	S	*	5/2005	Bruce et al.	D9/737
D562,078	S	*	2/2008	Herssein	D7/555

* cited by examiner

Primary Examiner—Charles A. Rademaker

Assistant Examiner—Charles D Hanson

(74) *Attorney, Agent, or Firm*—Ostrolenk, Faber, Gerb & Soffen, LLP

(57) **CLAIM**

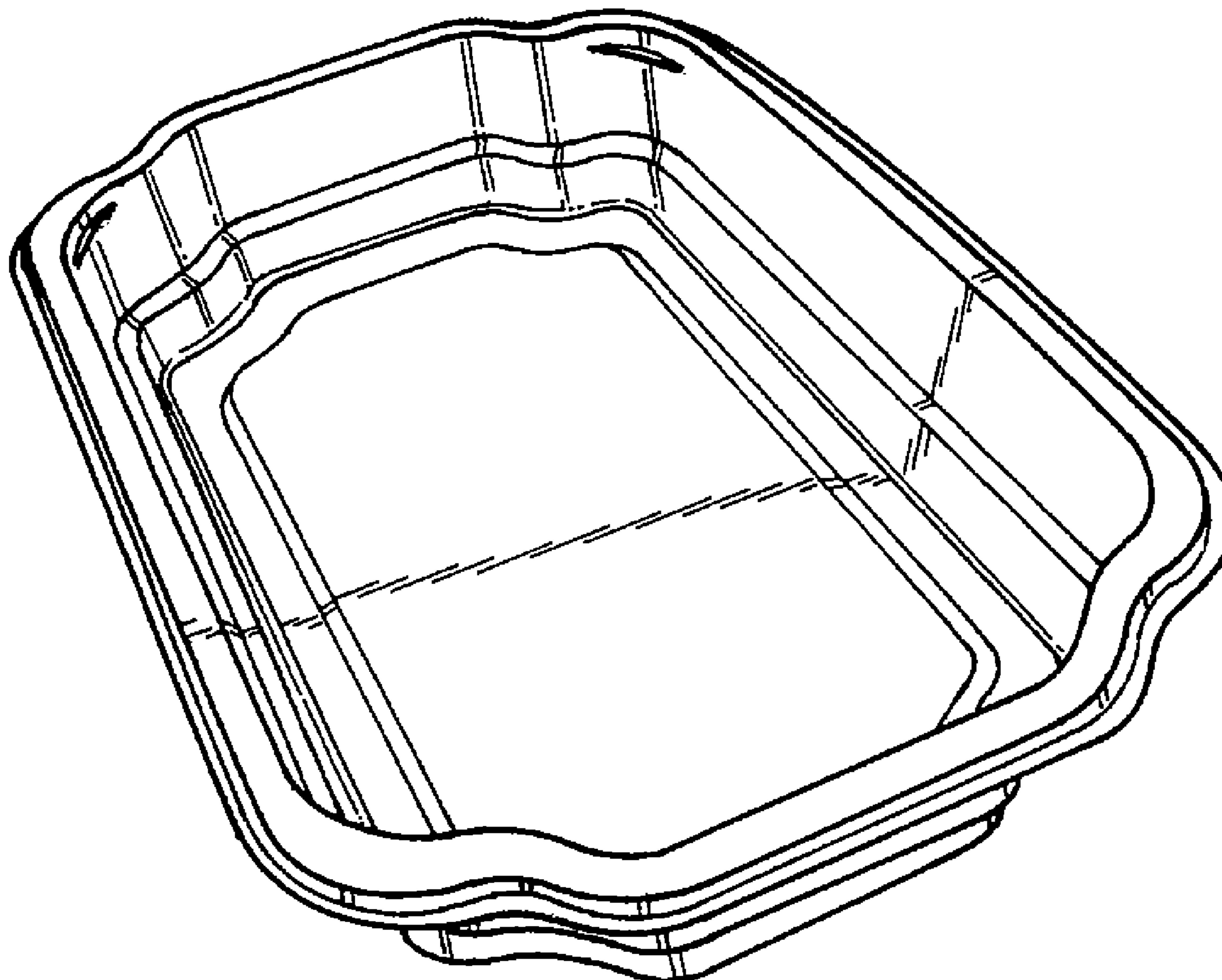
The ornamental design for a tray for packing foods, as shown.

DESCRIPTION

FIG. 1 is a top perspective view of a of a tray for packing foods according to my new design; and,

FIG. 2 is a bottom perspective view thereof.

1 Claim, 1 Drawing Sheet



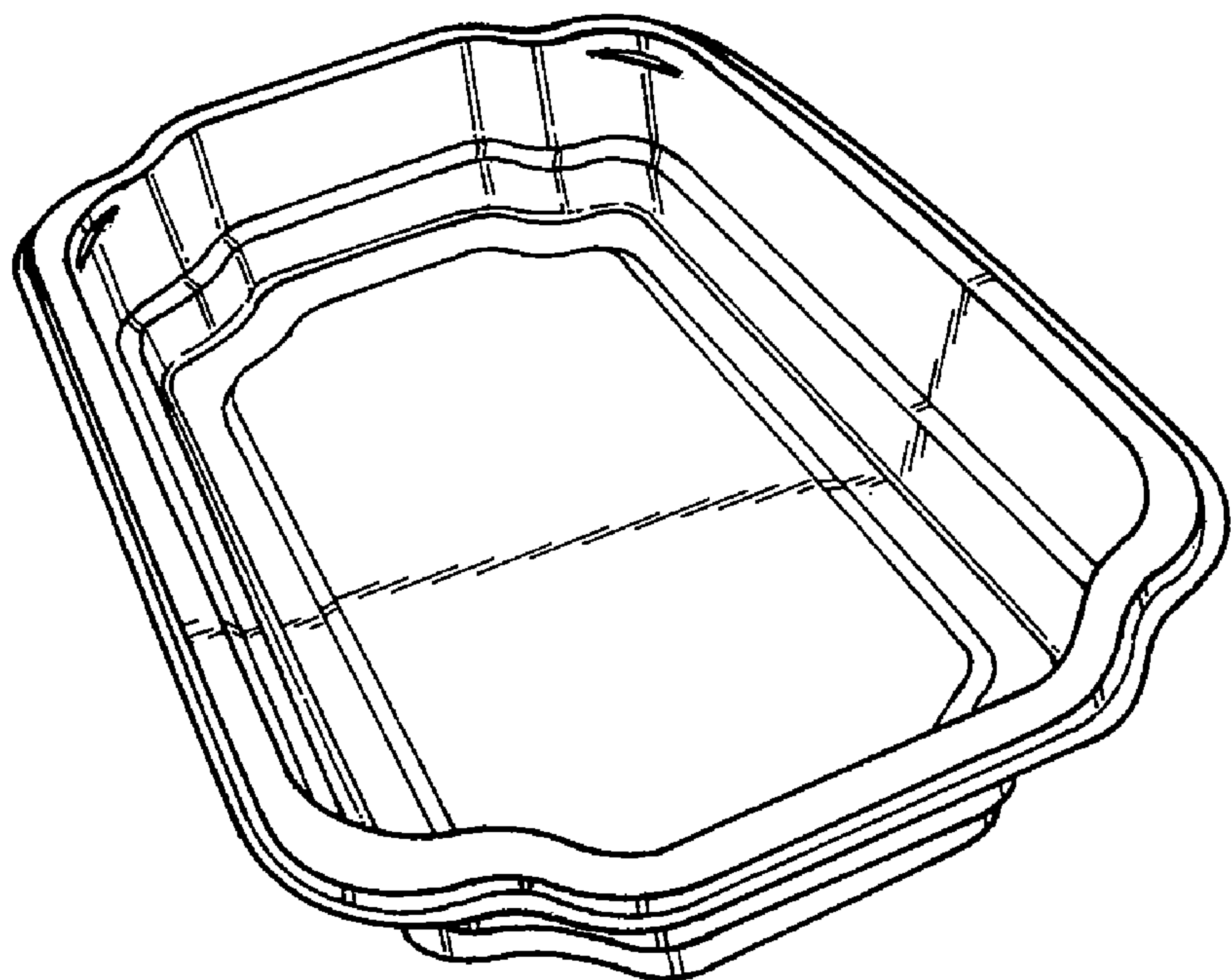


FIG 1

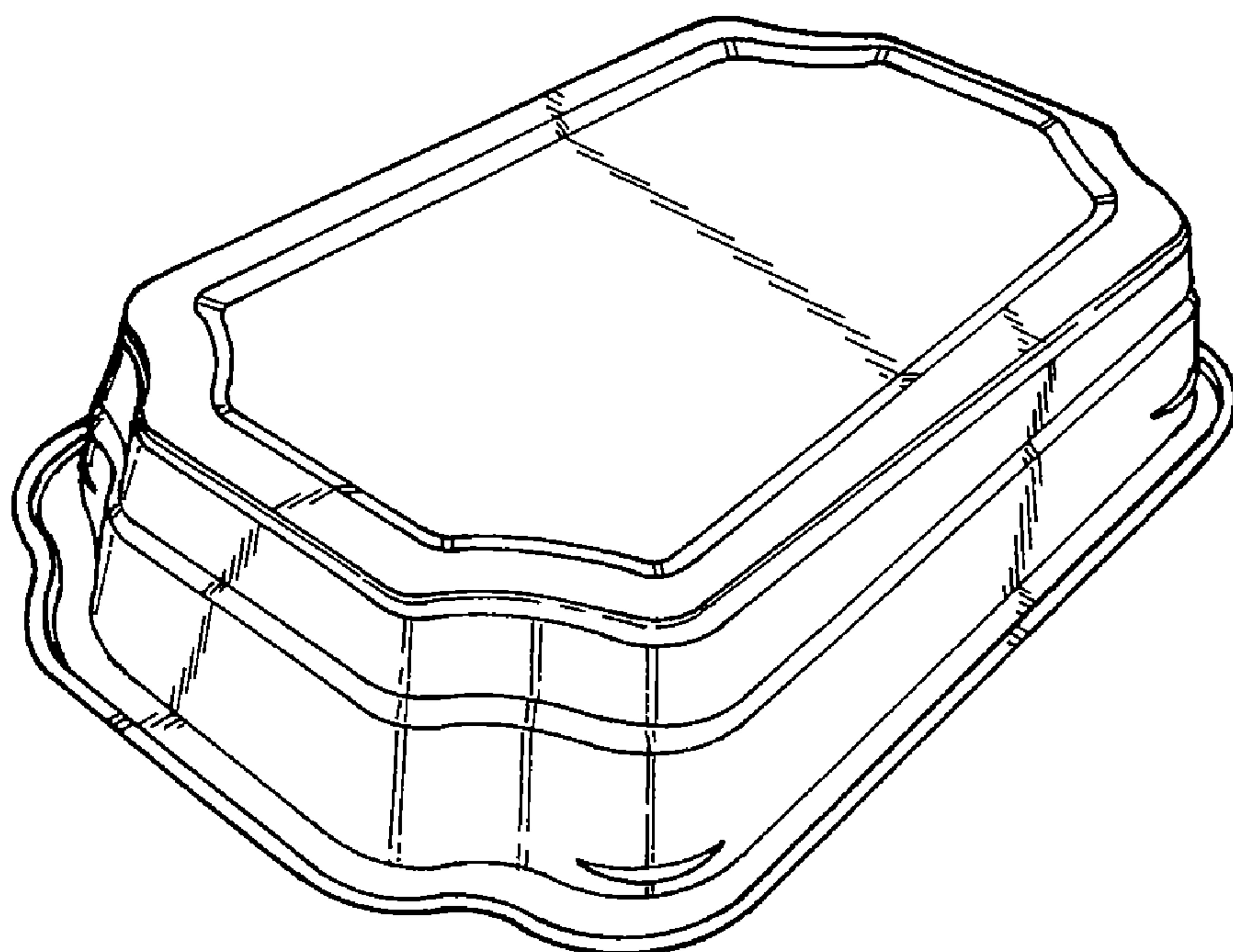


FIG 2