



US00D582724S

(12) **United States Design Patent**
Dretzka

(10) **Patent No.:** **US D582,724 S**

(45) **Date of Patent:** **** Dec. 16, 2008**

(54) **TUMBLER**

(75) Inventor: **Philip C. Dretzka**, Mariemont, OH (US)

(73) Assignee: **InterDesign, Inc.**, Solon, OH (US)

(**) Term: **14 Years**

(21) Appl. No.: **29/307,049**

(22) Filed: **Mar. 28, 2008**

(51) **LOC (8) Cl.** **07-01**

(52) **U.S. Cl.** **D7/523; D7/509**

(58) **Field of Classification Search** D7/523,
D7/500, 509, 608, 396.6, 396.2; D34/1;
215/DIG. 7, 387; D9/763, 767, 772, 776;
D11/152, 143; D6/551; 220/703, 592.16,
220/592.17; 229/400

See application file for complete search history.

(56) **References Cited**

U.S. PATENT DOCUMENTS

D107,987 S *	1/1938	Fuerst	D7/523
D108,746 S *	3/1938	Hansen	D7/523
D457,389 S	5/2002	Snell		
D457,782 S	5/2002	Snell		
6,439,418 B1	8/2002	Immerman et al.		
D463,715 S	10/2002	Dretzka		
D470,364 S	2/2003	Dretzka		
D472,427 S	4/2003	Dretzka		
6,604,648 B2 *	8/2003	Immerman et al.	220/630
D483,591 S *	12/2003	Dretzka	D6/551
D490,582 S *	5/2004	Dretzka	D34/1
D502,365 S	3/2005	Dretzka		
D505,828 S	6/2005	Snell		

D506,640 S *	6/2005	Marck et al.	D7/523
D506,641 S *	6/2005	Liu	D7/523
D530,959 S *	10/2006	Snell	D6/551
D543,327 S *	5/2007	Snell	D34/1
D550,509 S *	9/2007	Dretzka et al.	D7/523
D552,422 S *	10/2007	Dretzka	D7/523
D557,073 S *	12/2007	Snell	D7/523

OTHER PUBLICATIONS

InterDesign, Inc. Product Brochure—Bath, p. 6.
 InterDesign, Inc. Product Catalog—2000, pp. 4, 5.
 InterDesign, Inc. Product Catalog—2001, pp. 12, 13.
 InterDesign, Inc. Product Catalog—2003, pp. 6, 8, 10, 11, 14, 15, 16,
 20, 22, 24.
 InterDesign, Inc. Product Catalog—2004, pp. 20, 28, 29.
 InterDesign, Inc. Product Catalog—2005, p. 6.
 InterDesign, Inc. Product Catalog—2006, p. 2.

* cited by examiner

Primary Examiner—Philip Hyder

Assistant Examiner—Cynthia Underwood

(74) *Attorney, Agent, or Firm*—D. Peter Hochberg; Sean F. Mellino; Daniel J. Smola

(57) **CLAIM**

The ornamental design for a tumbler, as shown and described.

DESCRIPTION

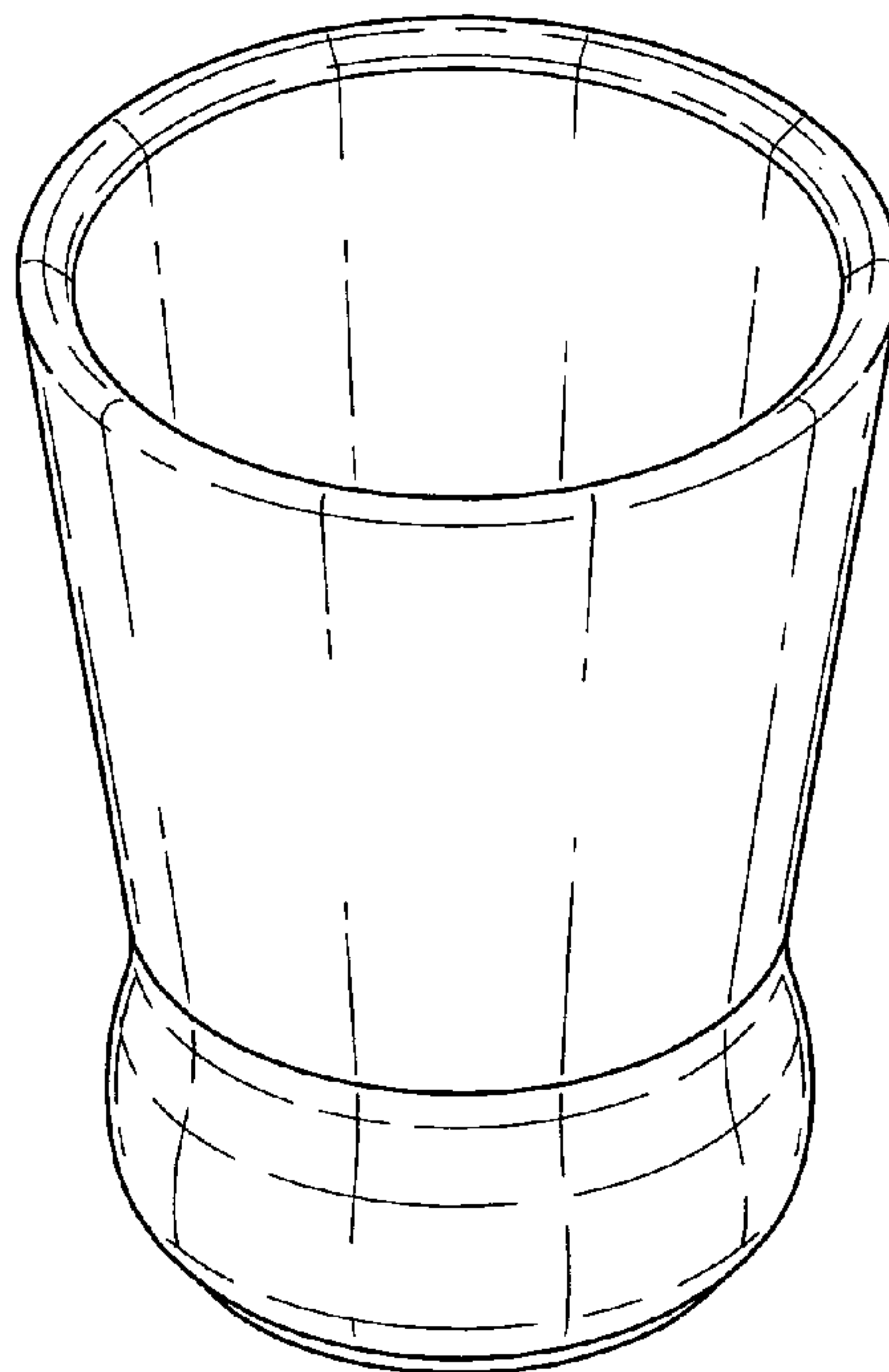
FIG. 1 is a perspective view of the tumbler according to the invention;

FIG. 2 is a side view of the tumbler as shown in FIG. 1;

FIG. 3 is a top view of the tumbler as shown in FIG. 1; and,

FIG. 4 is a bottom view of the tumbler as shown in FIG. 1.

1 Claim, 1 Drawing Sheet



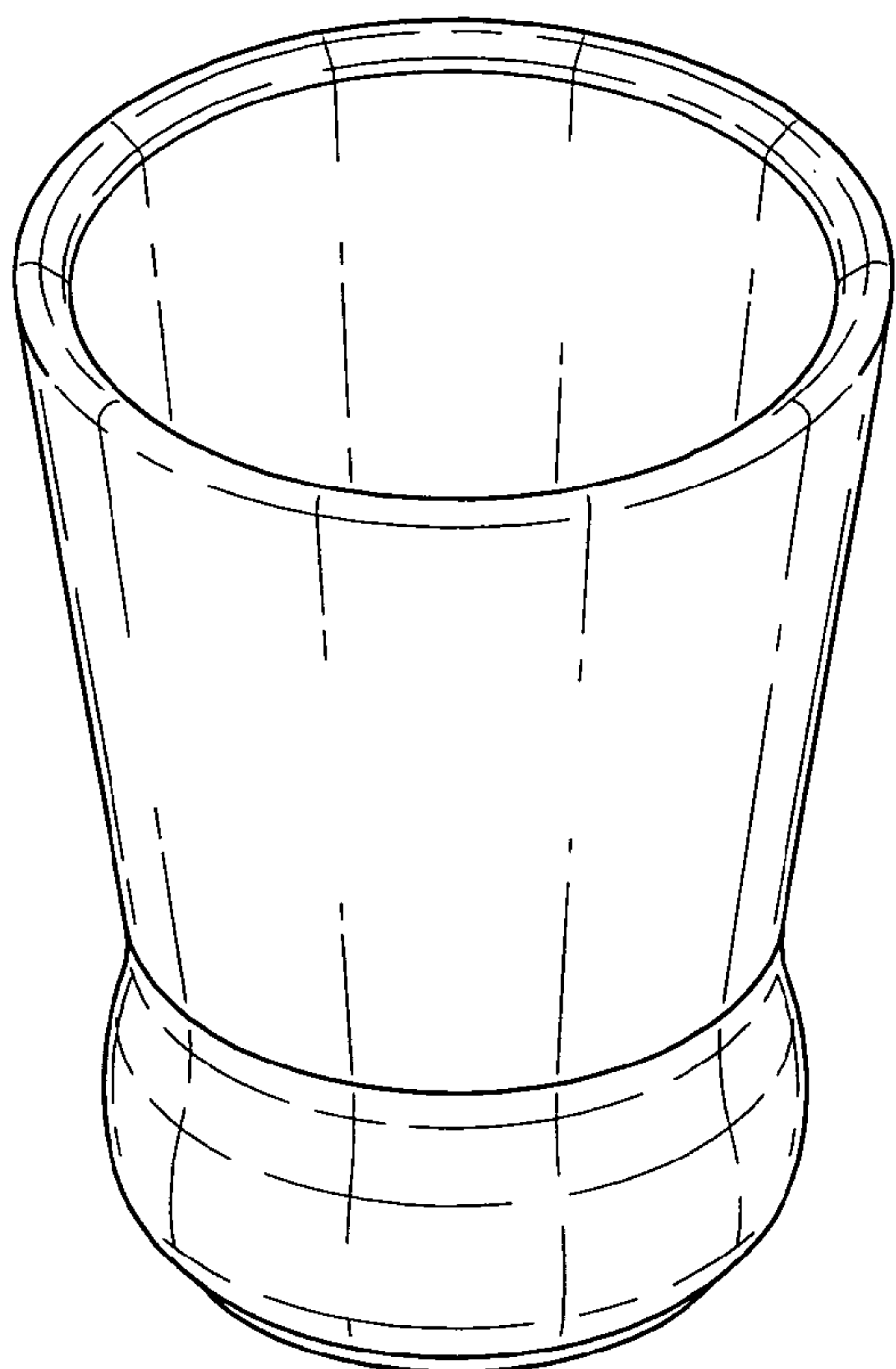


FIG-1

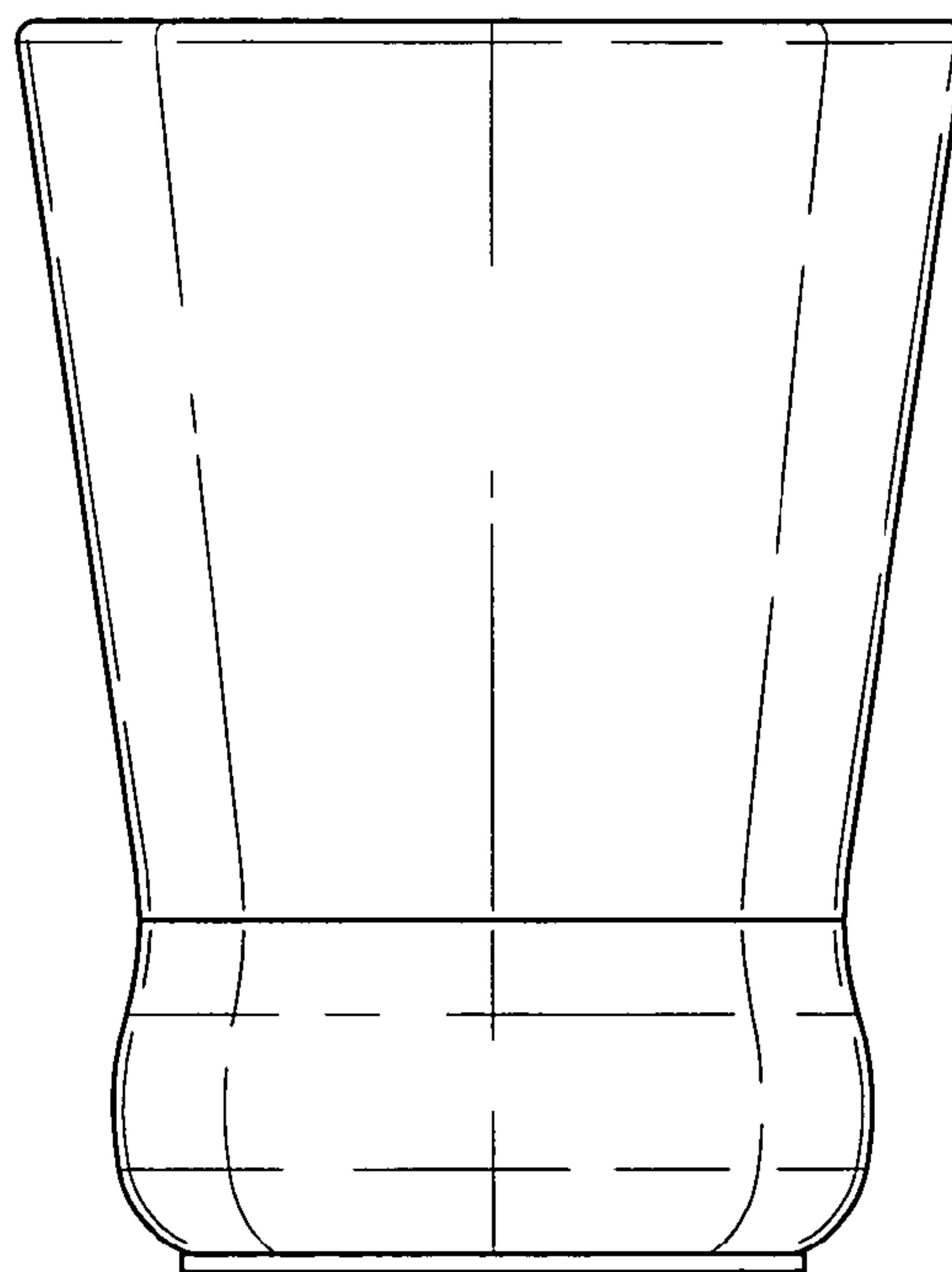


FIG-2

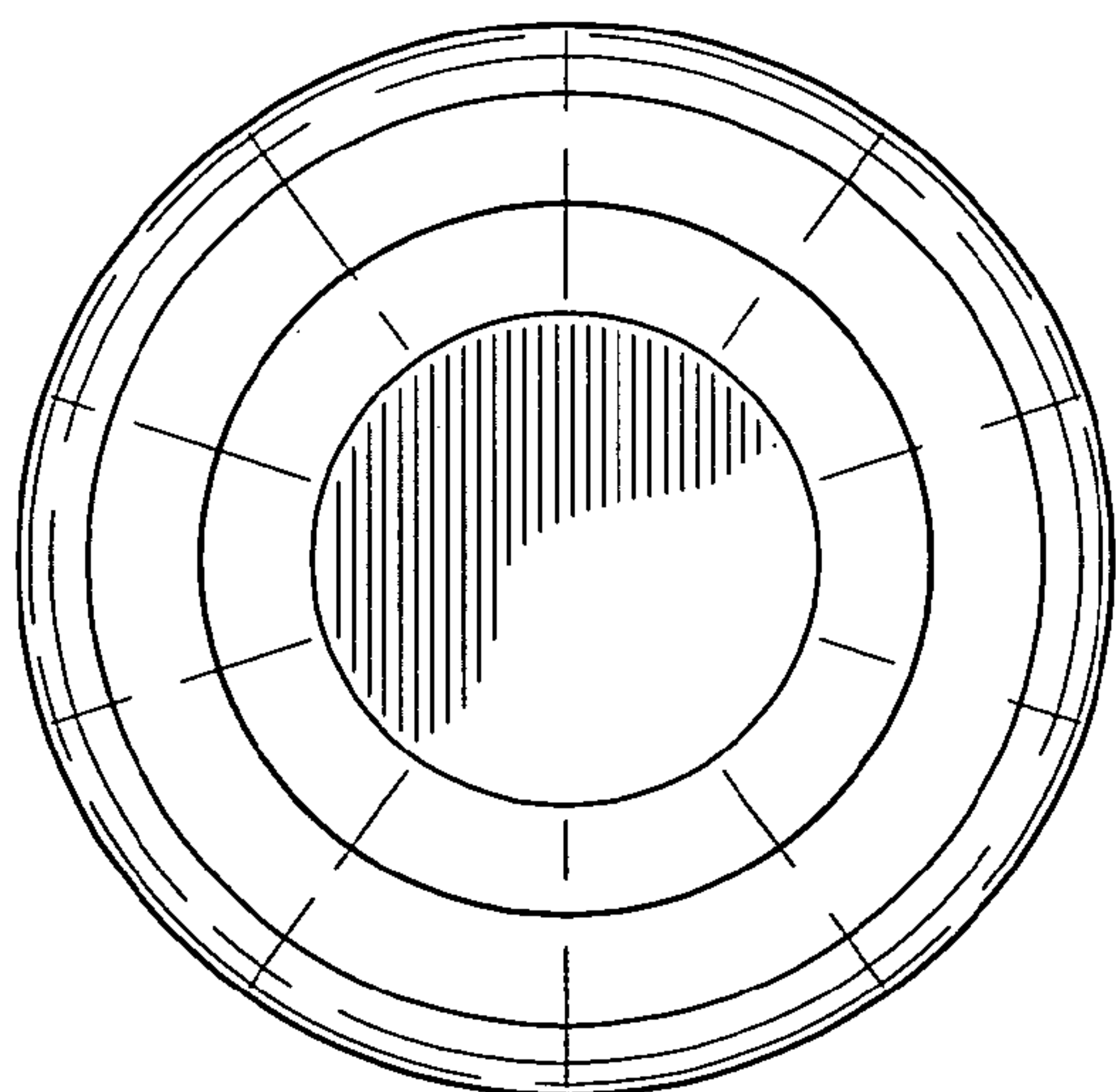


FIG-3

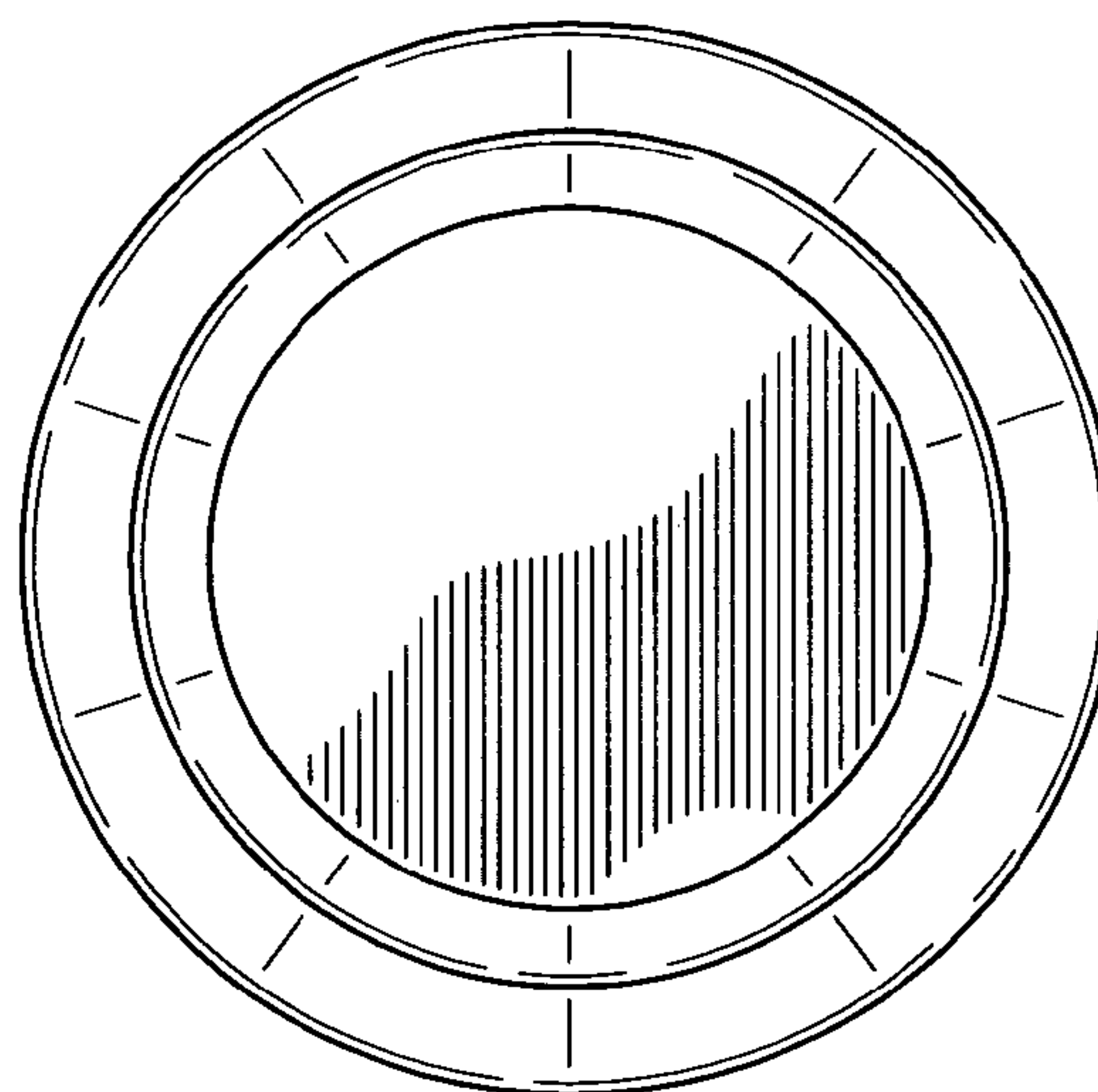


FIG-4