



US00D582722S

(12) **United States Design Patent**
Peña

(10) **Patent No.:** **US D582,722 S**
(45) **Date of Patent:** **** Dec. 16, 2008**

(54) **BEVERAGE DISPENSER**

(75) Inventor: **James A. Peña**, Encinitas, CA (US)

(73) Assignee: **Sturman BG, LLC**, Woodland Park, CO (US)

(**) Term: **14 Years**

(21) Appl. No.: **29/305,974**

(22) Filed: **Mar. 31, 2008**

(51) **LOC (8) Cl.** **07-01**

(52) **U.S. Cl.** **D7/398**

(58) **Field of Classification Search** D7/306,
D7/397, 398, 313, 368, 387, 392, 392.1, 395,
D7/300, 311; D20/4; D23/238, 233, 242,
D23/213, 249, 255, 262; 137/600; D6/512,
D6/553; D9/434, 435; 222/222, 255, 481,
222/568, 566, 569

See application file for complete search history.

(56) **References Cited**

U.S. PATENT DOCUMENTS

D124,228 S *	12/1940	Cornelius	D7/398
2,373,294 A *	4/1945	Cornelius	137/600
D154,879 S *	8/1949	Rosander	D7/398
2,973,003 A *	2/1961	Steele	137/170.1
D200,230 S *	2/1965	Seltsam	D7/398
3,233,631 A *	2/1966	Cornelius	137/637.2
4,166,606 A *	9/1979	Kawolics et al.	251/214

4,273,288 A *	6/1981	Lagneaux	239/419.3
4,655,374 A *	4/1987	Guerette	222/504
4,720,076 A *	1/1988	Hyde	251/122
D304,852 S *	11/1989	Tilton	D23/252
D517,648 S *	3/2006	Kulig et al.	D23/238
D560,965 S *	2/2008	Sommerfeld	D7/398

* cited by examiner

Primary Examiner—Philip Hyder

Assistant Examiner—Cynthia Underwood

(74) *Attorney, Agent, or Firm*—Blakely, Sokoloff, Taylor & Zafman LLP

(57) **CLAIM**

The ornamental design for a beverage dispenser, as shown and described.

DESCRIPTION

FIG. 1 is a front perspective view of the beverage dispenser;
FIG. 2 is a first side view thereof;
FIG. 3 is a second side view thereof;
FIG. 4 is a front view thereof;
FIG. 5 is a rear view thereof;
FIG. 6 is a top view thereof;
FIG. 7 is a bottom view thereof; and,
FIG. 8 is a perspective view thereof showing the dispenser handle at a different relative orientation.

1 Claim, 5 Drawing Sheets

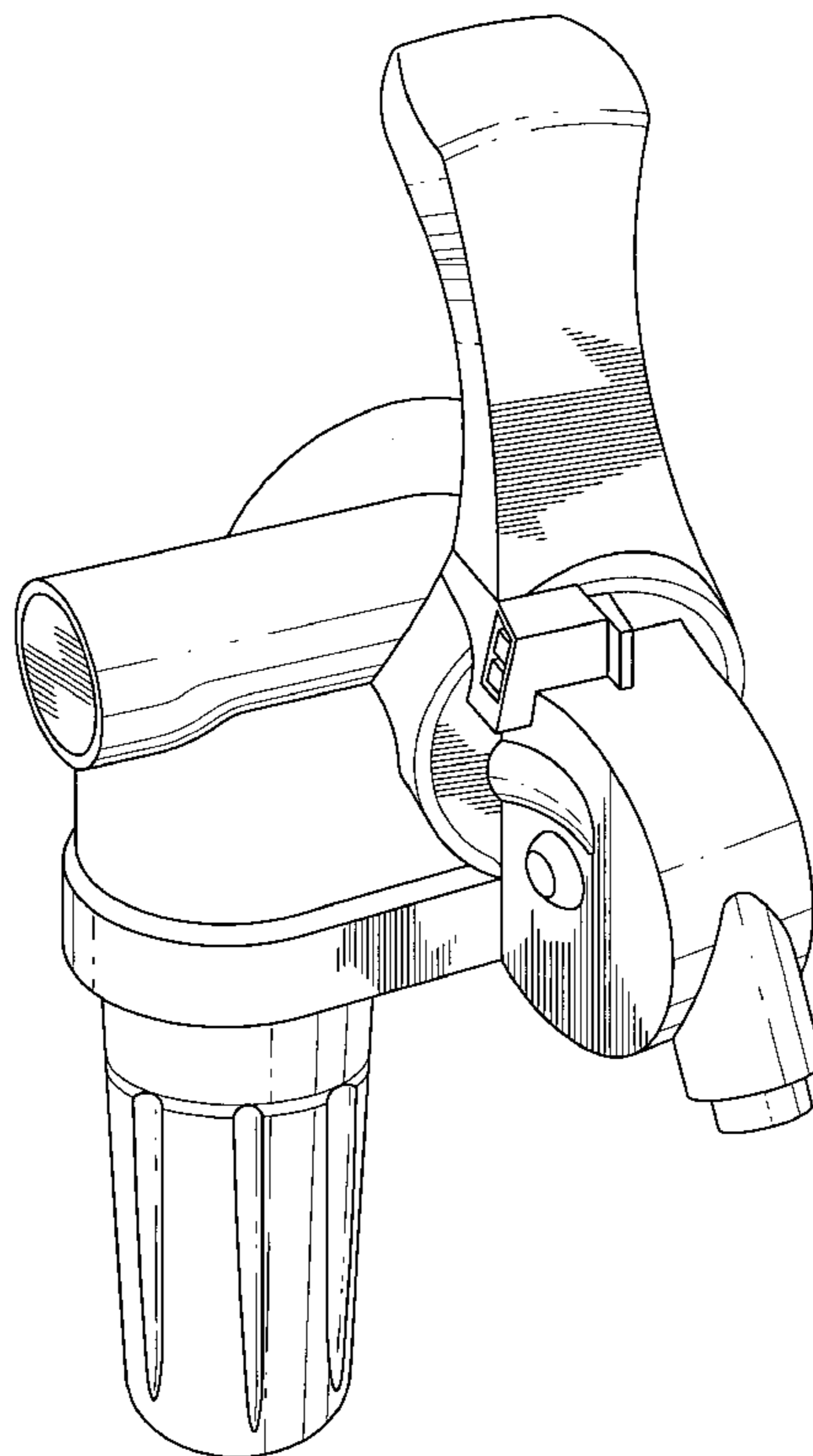
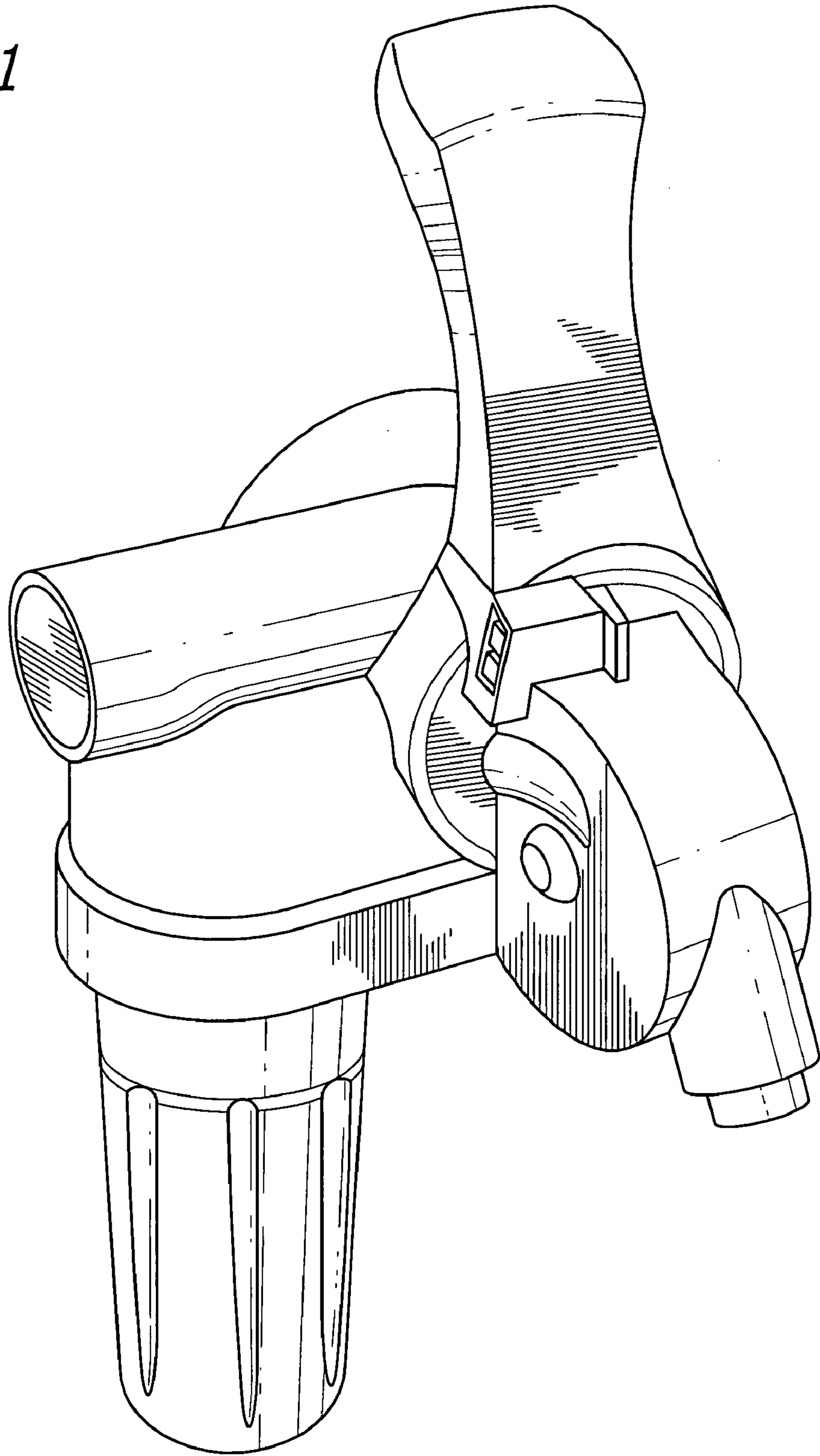


FIG. 1



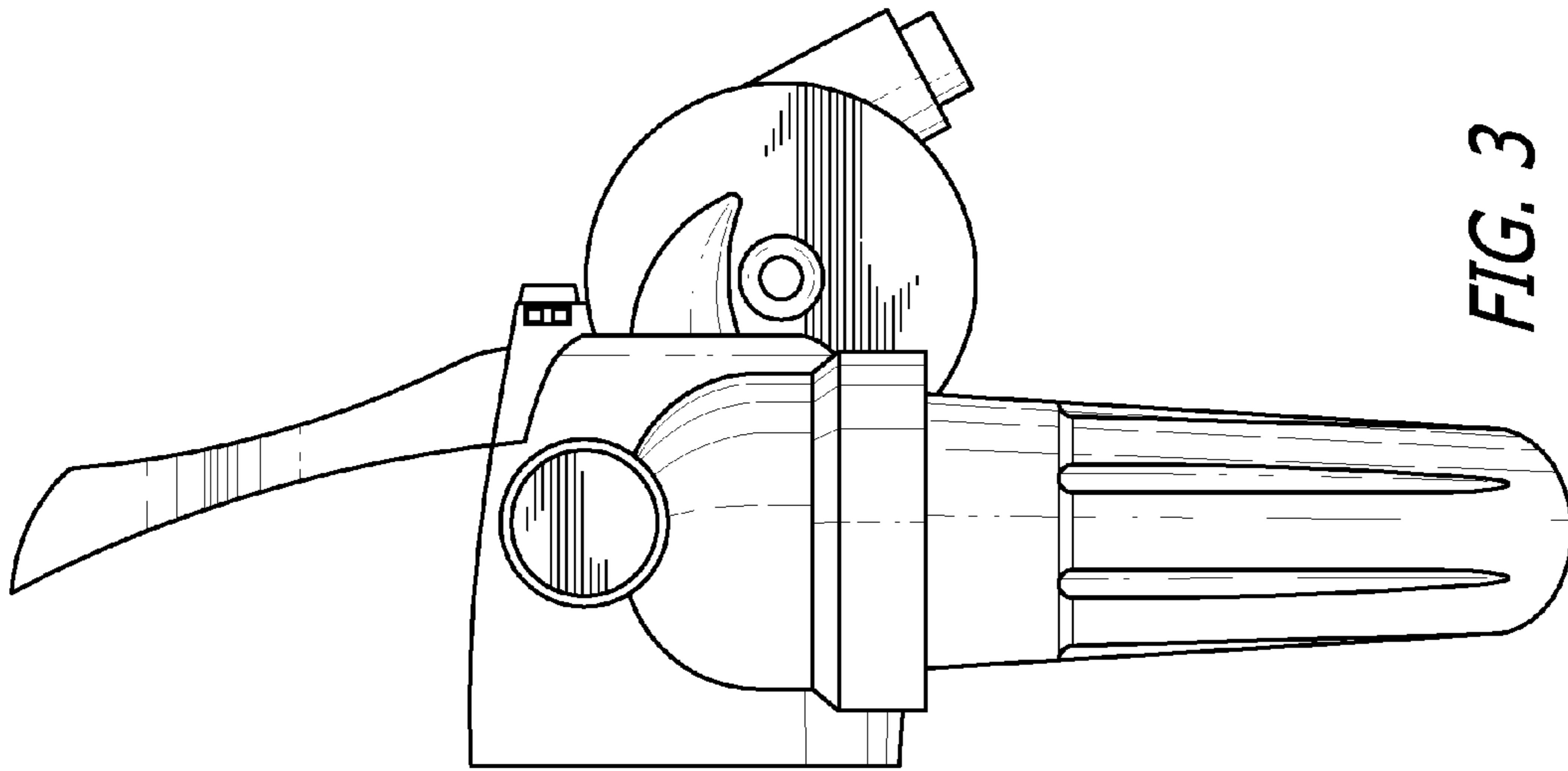


FIG. 3

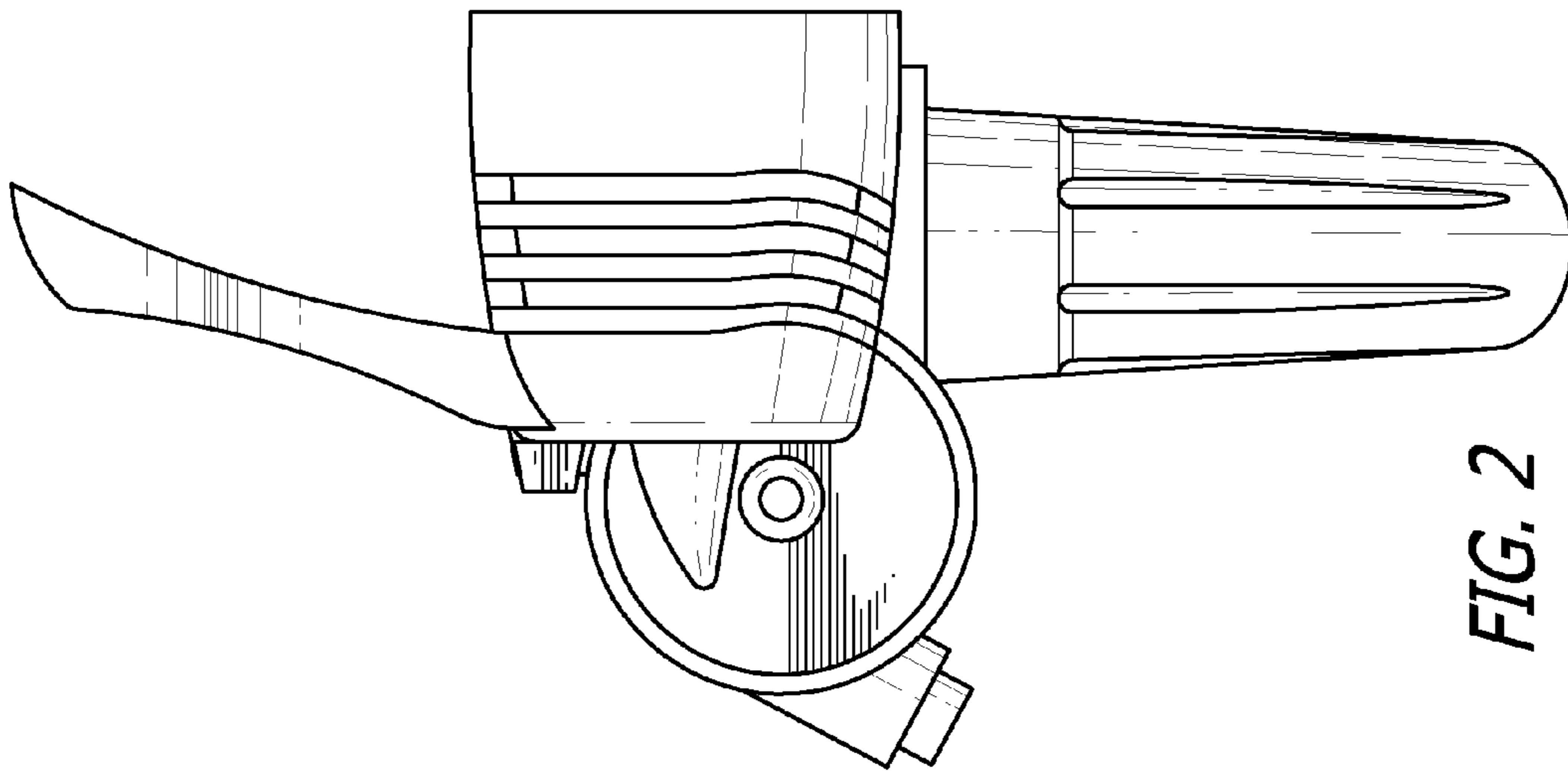


FIG. 2

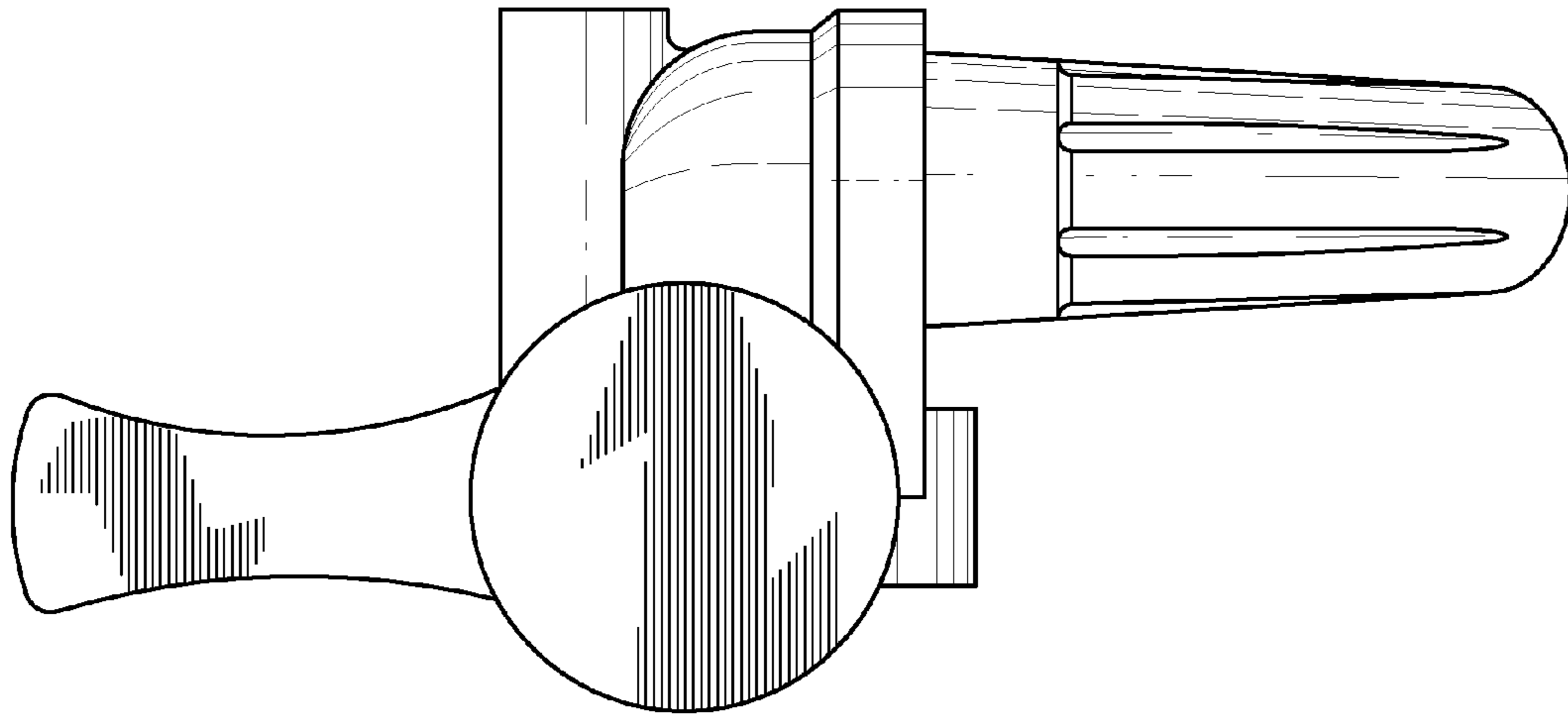


FIG. 5

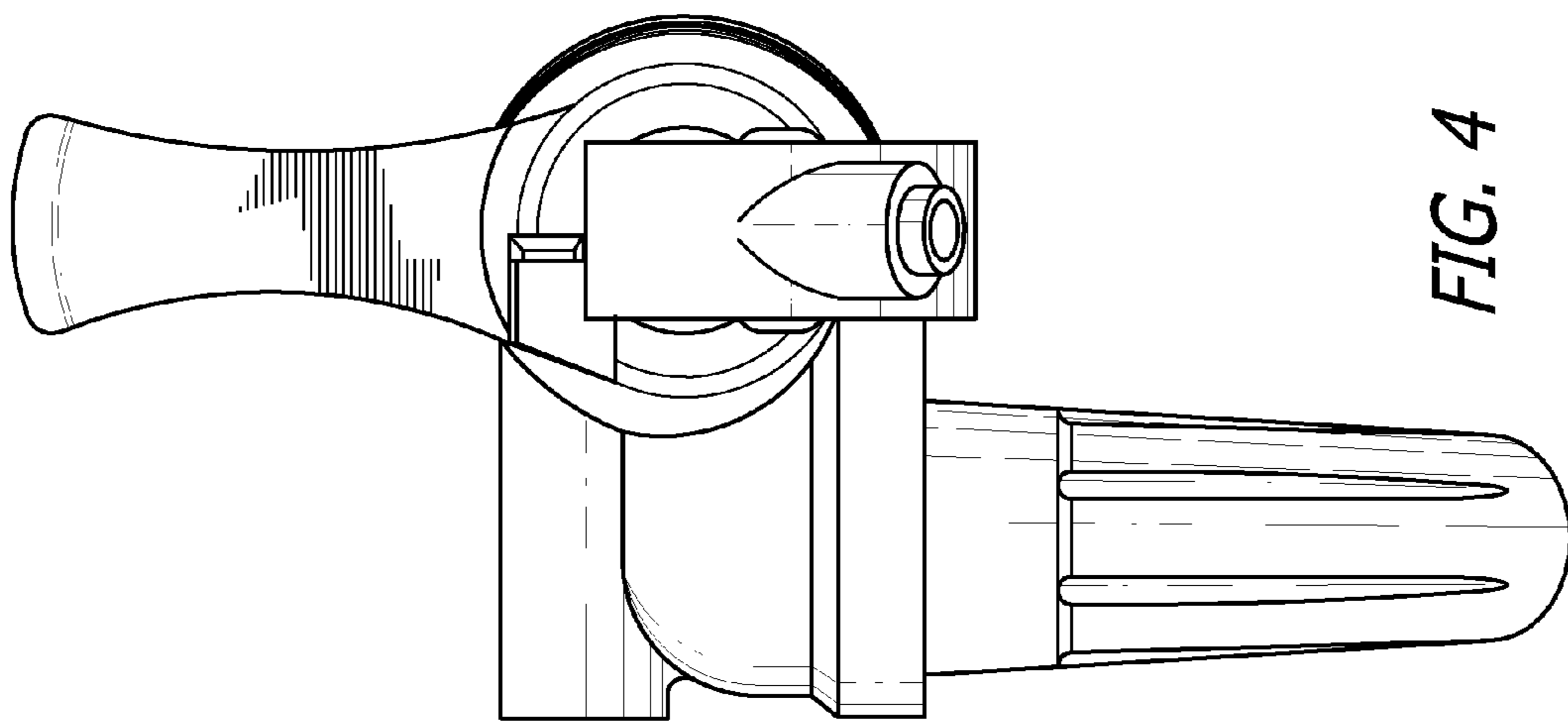


FIG. 4

FIG. 6

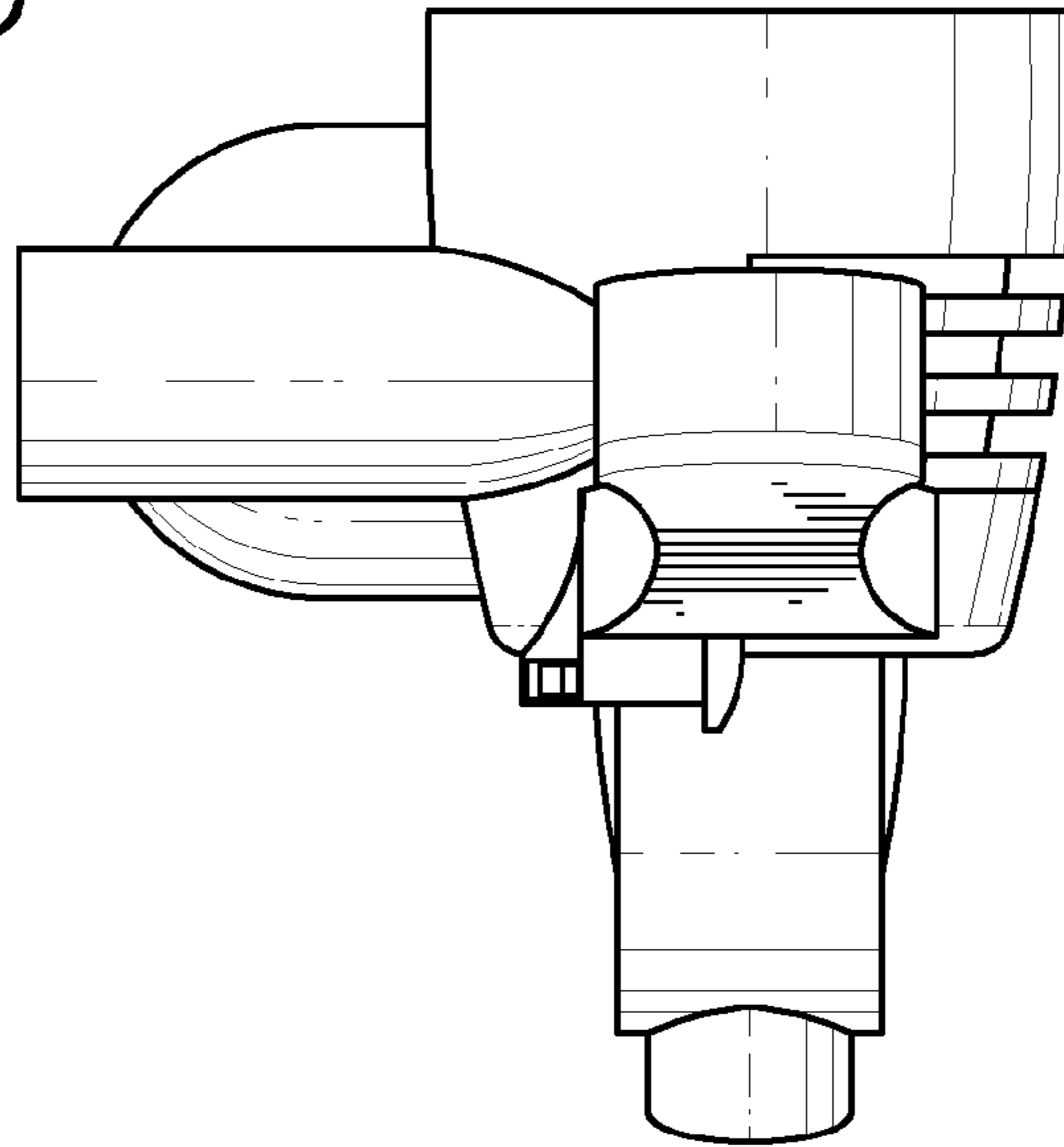


FIG. 7

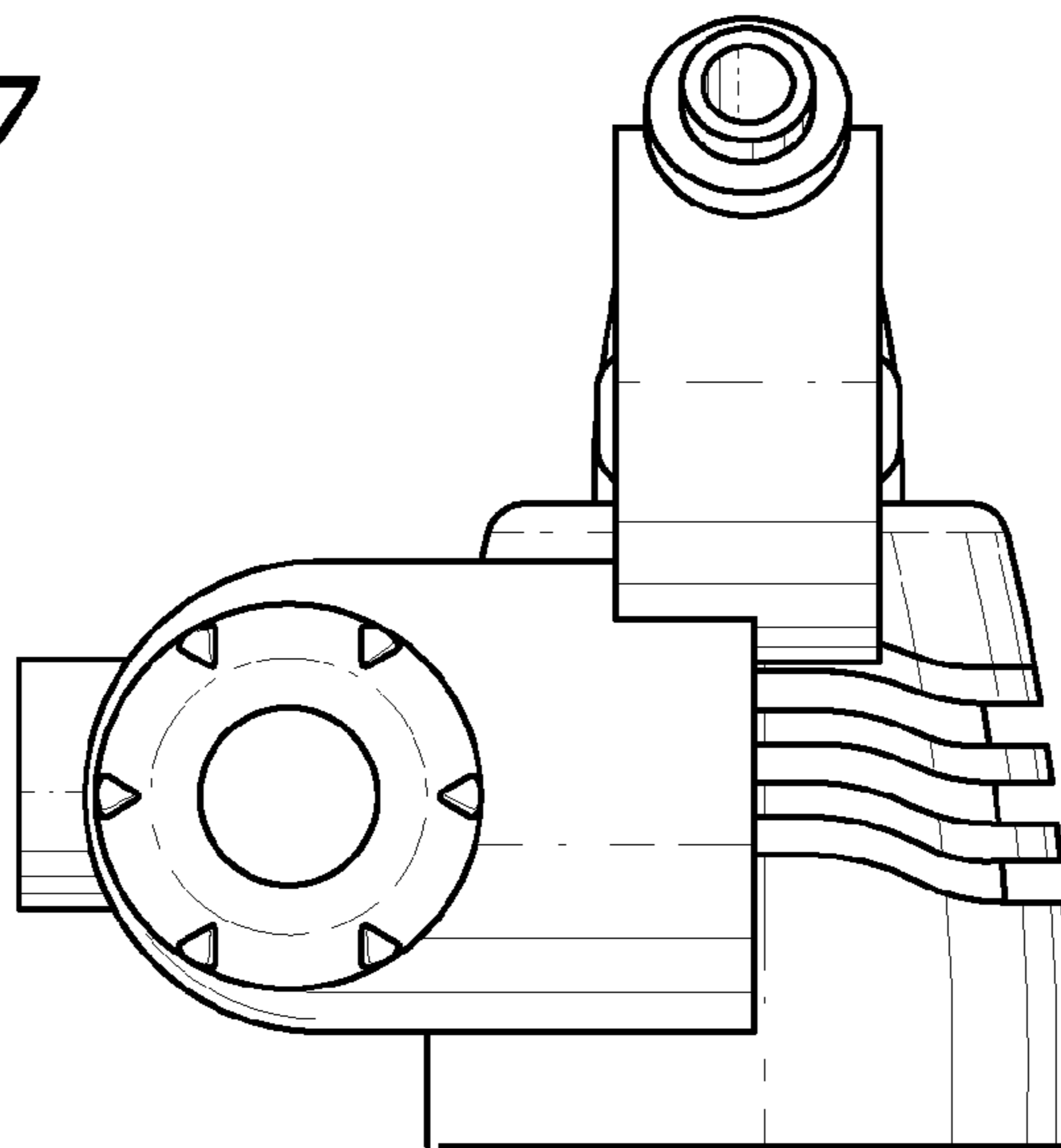


FIG. 8

