



US00D582721S

(12) **United States Design Patent**  
**Stange**

(10) **Patent No.:** **US D582,721 S**

(45) **Date of Patent:** **\*\* Dec. 16, 2008**

(54) **DRIP CATCHING TRAY**

D550,042 S \* 9/2007 Chapple ..... D7/550.1  
D568,680 S \* 5/2008 Hsu ..... D7/397

(76) Inventor: **Scott Stange**, 213 N. Cottonwood,  
Norfolk, NE (US) 68701

\* cited by examiner

(\*\*) Term: **14 Years**

*Primary Examiner*—Philip S Hyder

*Assistant Examiner*—Cynthia Underwood

(21) Appl. No.: **29/301,746**

(74) *Attorney, Agent, or Firm*—Stinson Morrison Hecker  
LLP

(22) Filed: **Mar. 14, 2008**

(57) **CLAIM**

(51) **LOC (8) Cl.** ..... **07-01**

The ornamental design for a drip catching tray, as shown and described.

(52) **U.S. Cl.** ..... **D7/397; D7/550.1**

(58) **Field of Classification Search** ..... D7/387,  
D7/397, 213, 550.1, 553.2; D3/201; D9/434,  
D9/456; D19/90, 92, 93; 206/552, 557;  
215/386, 392; 220/571, 697

See application file for complete search history.

**DESCRIPTION**

(56) **References Cited**

**U.S. PATENT DOCUMENTS**

4,369,948	A *	1/1983	Krauss et al. ....	248/444.1
D326,795	S *	6/1992	Reitz et al. ....	D7/397
5,690,138	A *	11/1997	Fuller .....	137/312
D399,092	S *	10/1998	Miller .....	D7/397
D401,111	S *	11/1998	Leatherman .....	D7/397
D401,474	S *	11/1998	Leatherman et al. ....	D7/397
D410,172	S *	5/1999	Lalonde .....	D7/397
5,960,995	A *	10/1999	Leatherman et al. ....	222/108
6,105,816	A *	8/2000	Shea .....	220/697
6,279,781	B1 *	8/2001	Konar .....	222/108
7,216,778	B2 *	5/2007	Kaeb .....	222/108

FIG. 1 is a front perspective view of the drip catching tray;  
FIG. 2 is a top plan view of the drip catching tray of FIG. 1;  
FIG. 3 is a front elevational view of the drip catching tray of  
FIG. 1;

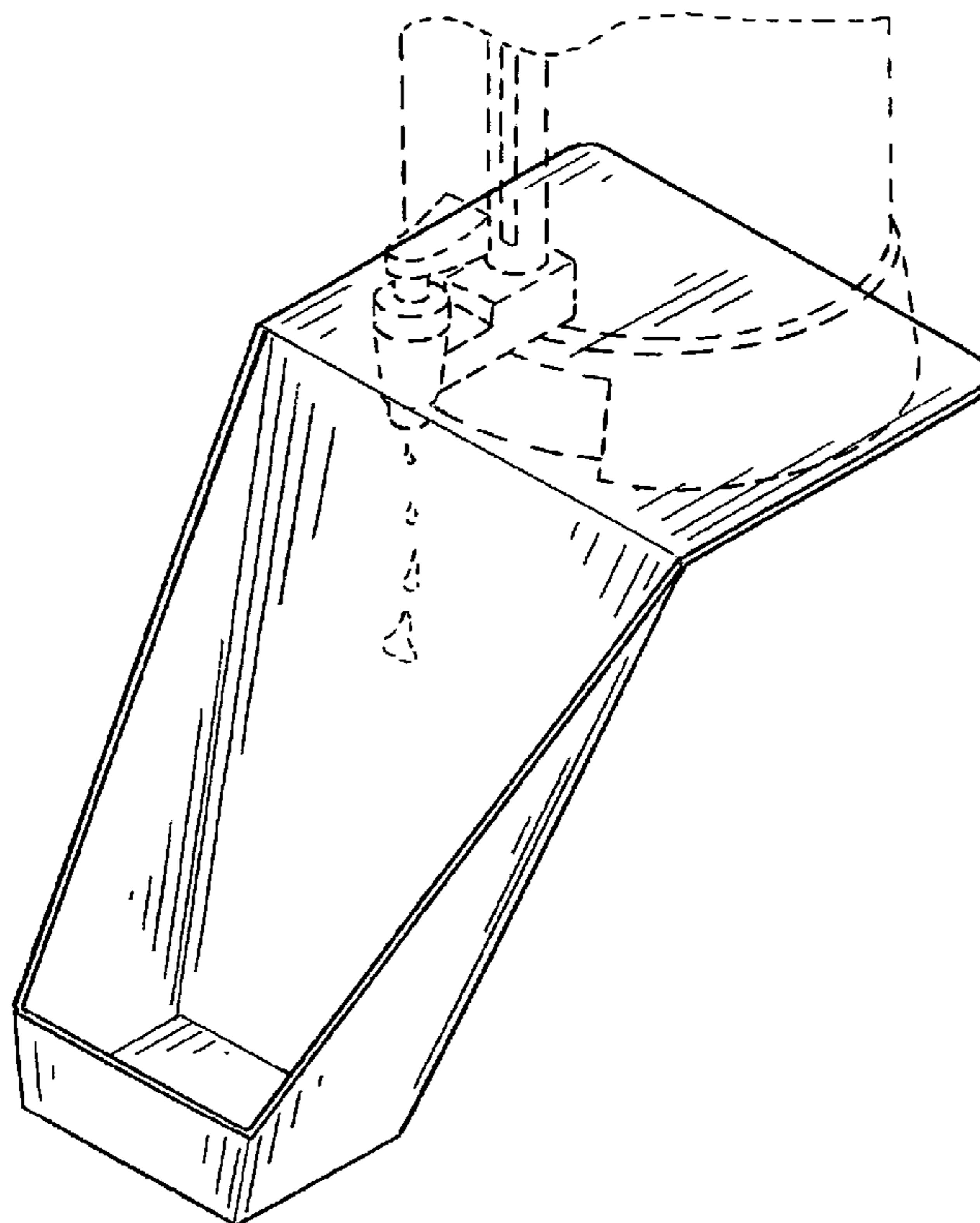
FIG. 4 is a side elevational view of the drip catching tray of  
FIG. 1, each side being identical to one another;

FIG. 5 is a rear elevational view of the drip catching tray of  
FIG. 1; and,

FIG. 6 is a bottom plan view of the drip catching tray of FIG.  
**1.**

The broken line showing of the coffee pot in FIG. 1 is illus-  
trative of environmental structure only and forms no part of  
the claimed design.

**1 Claim, 3 Drawing Sheets**



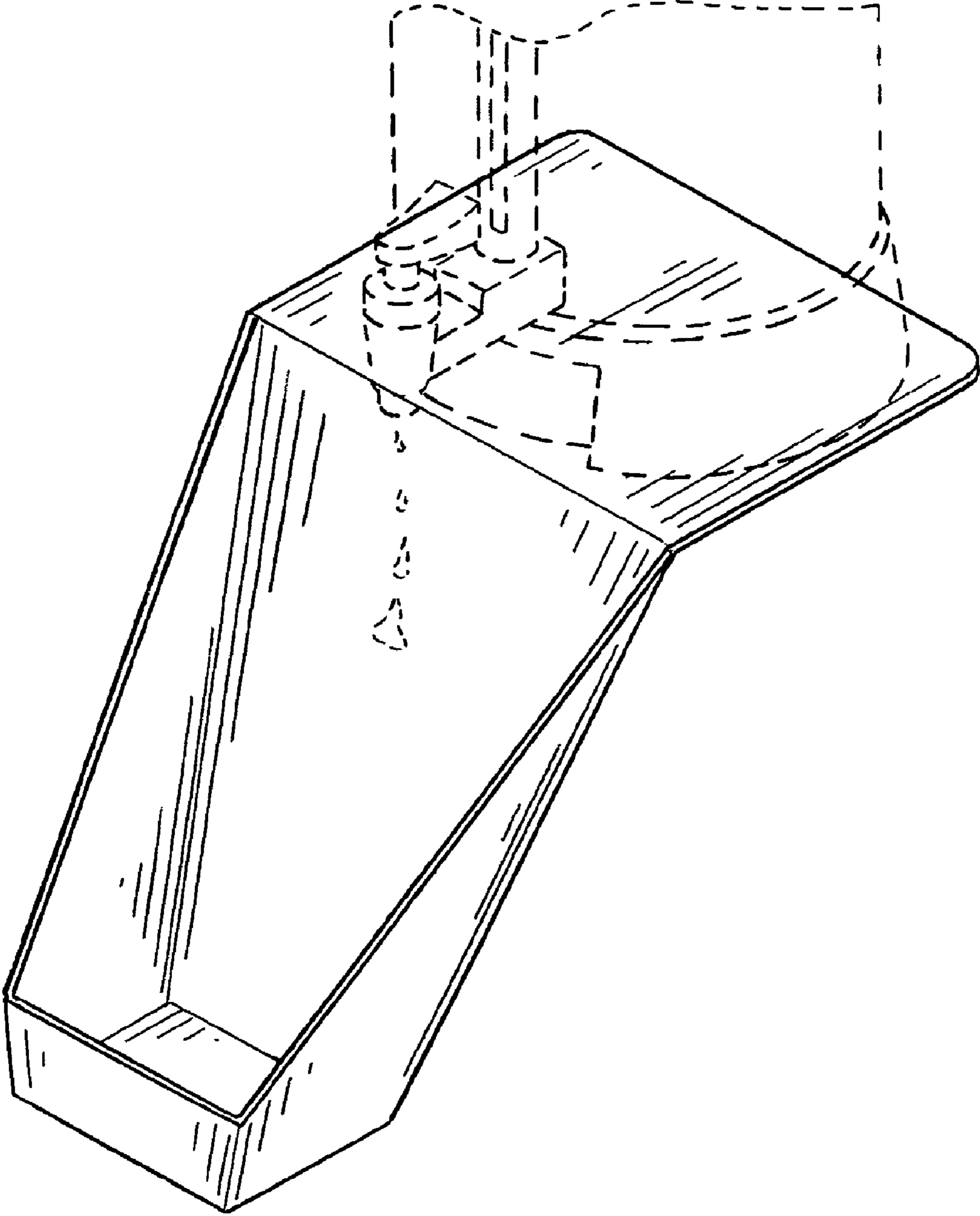


FIG. 1

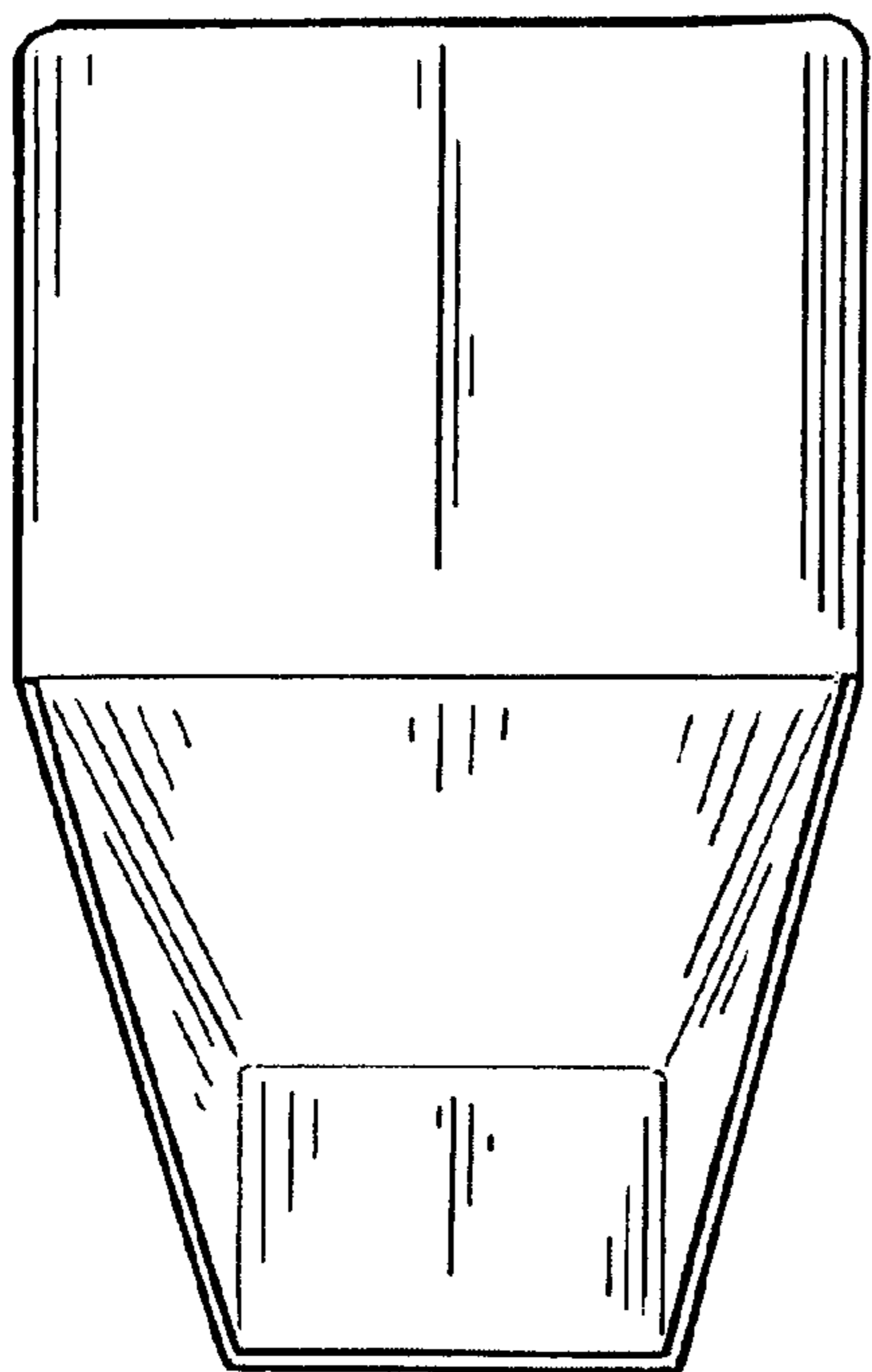


FIG. 2

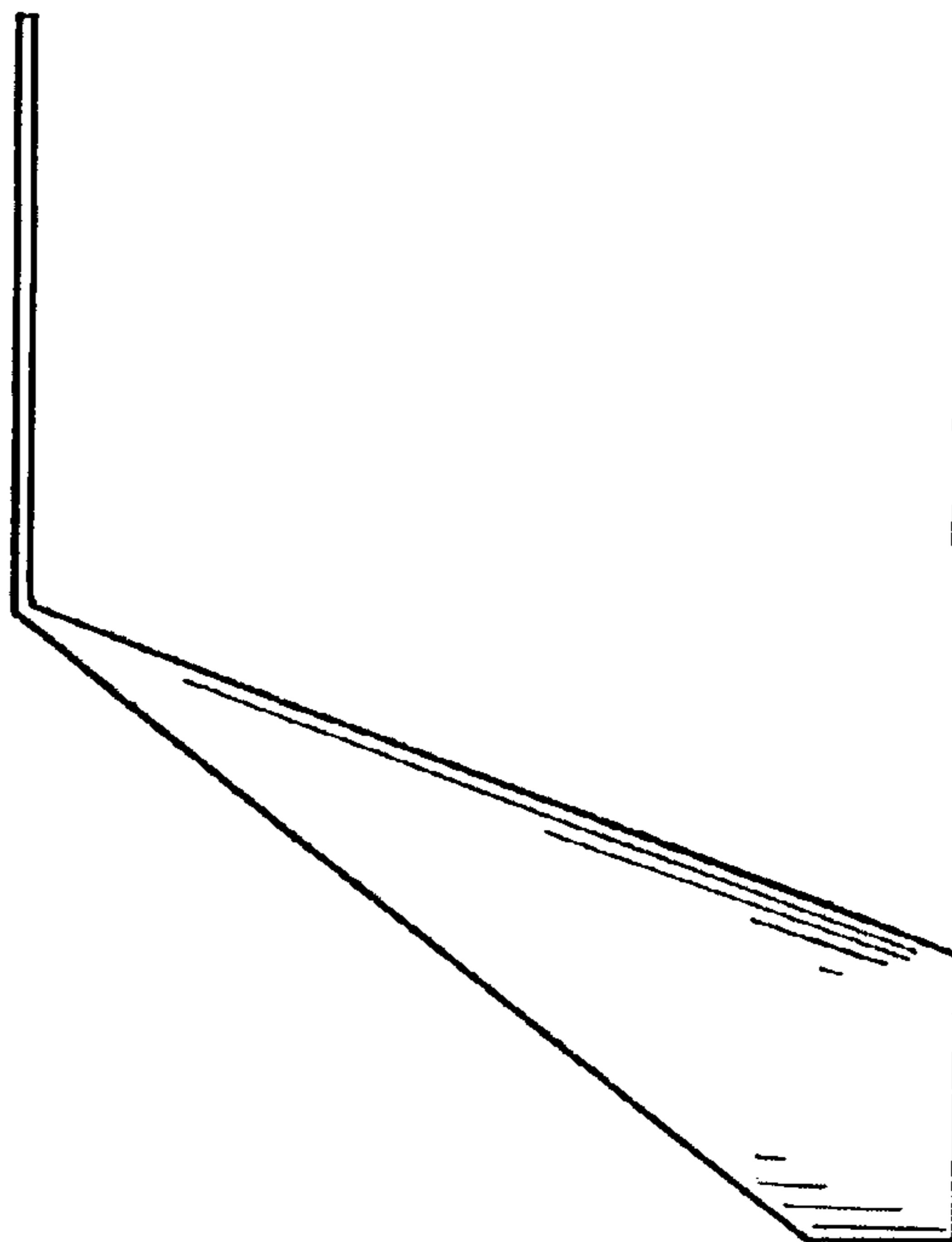


FIG. 4

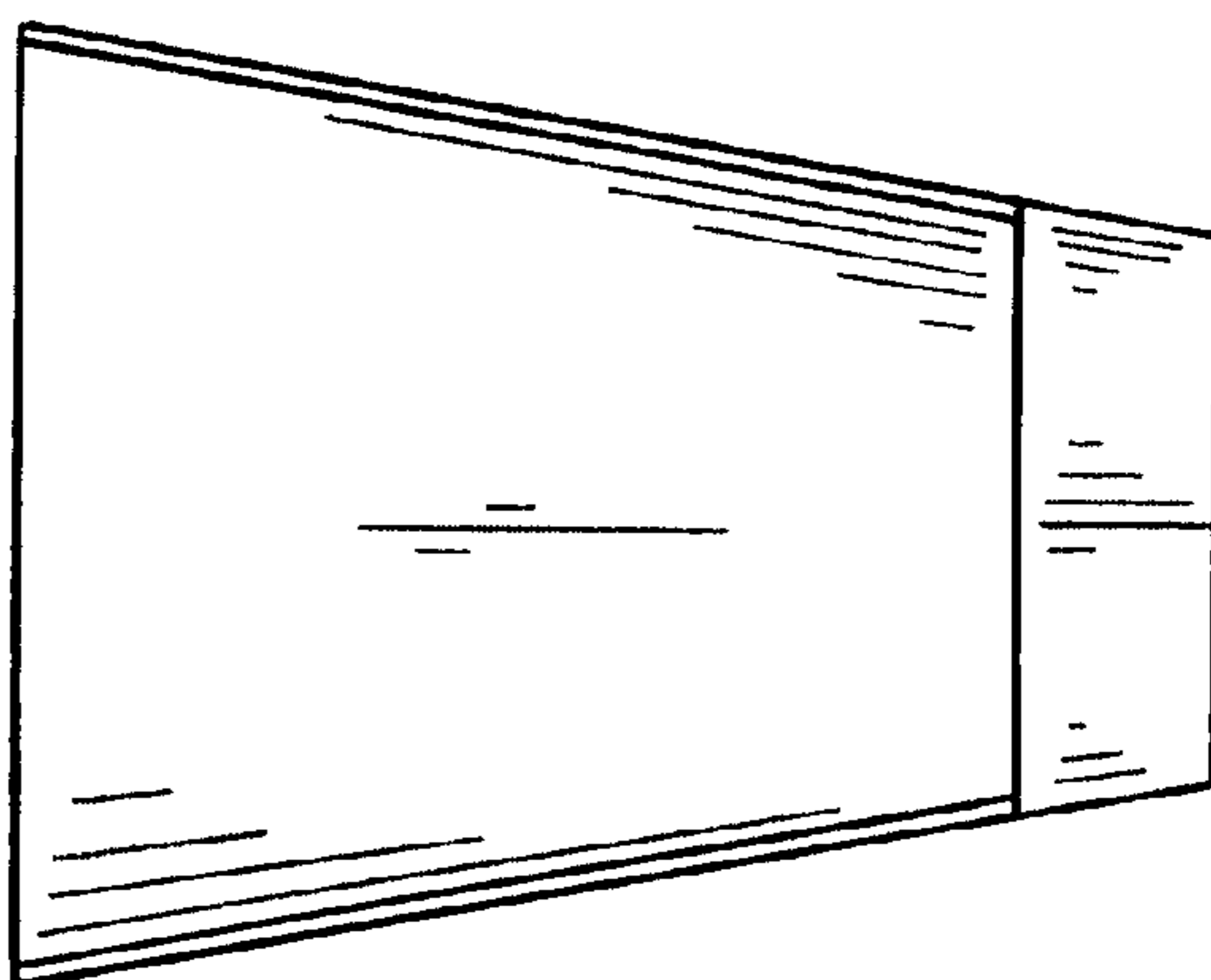


FIG. 3

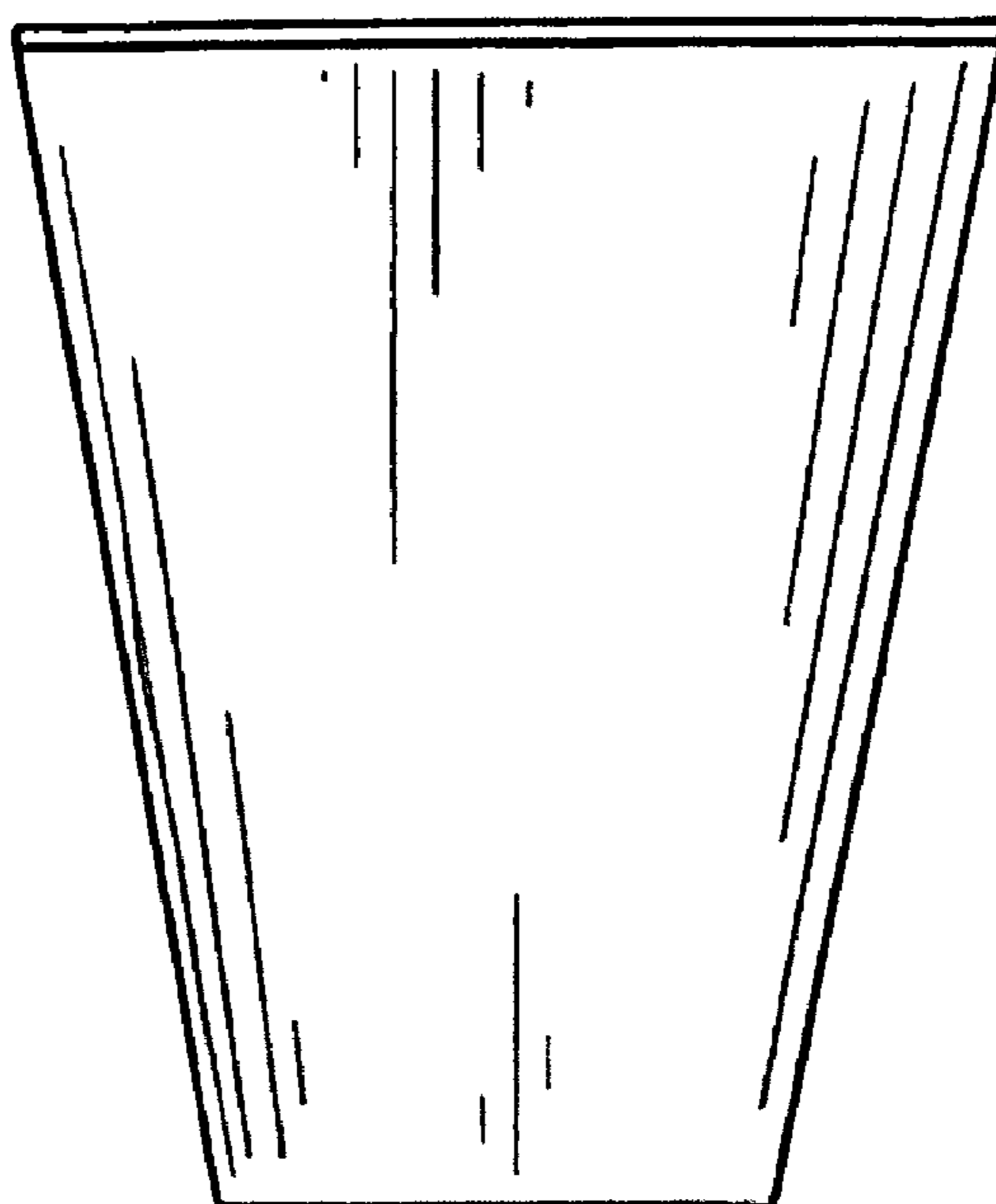


FIG. 5

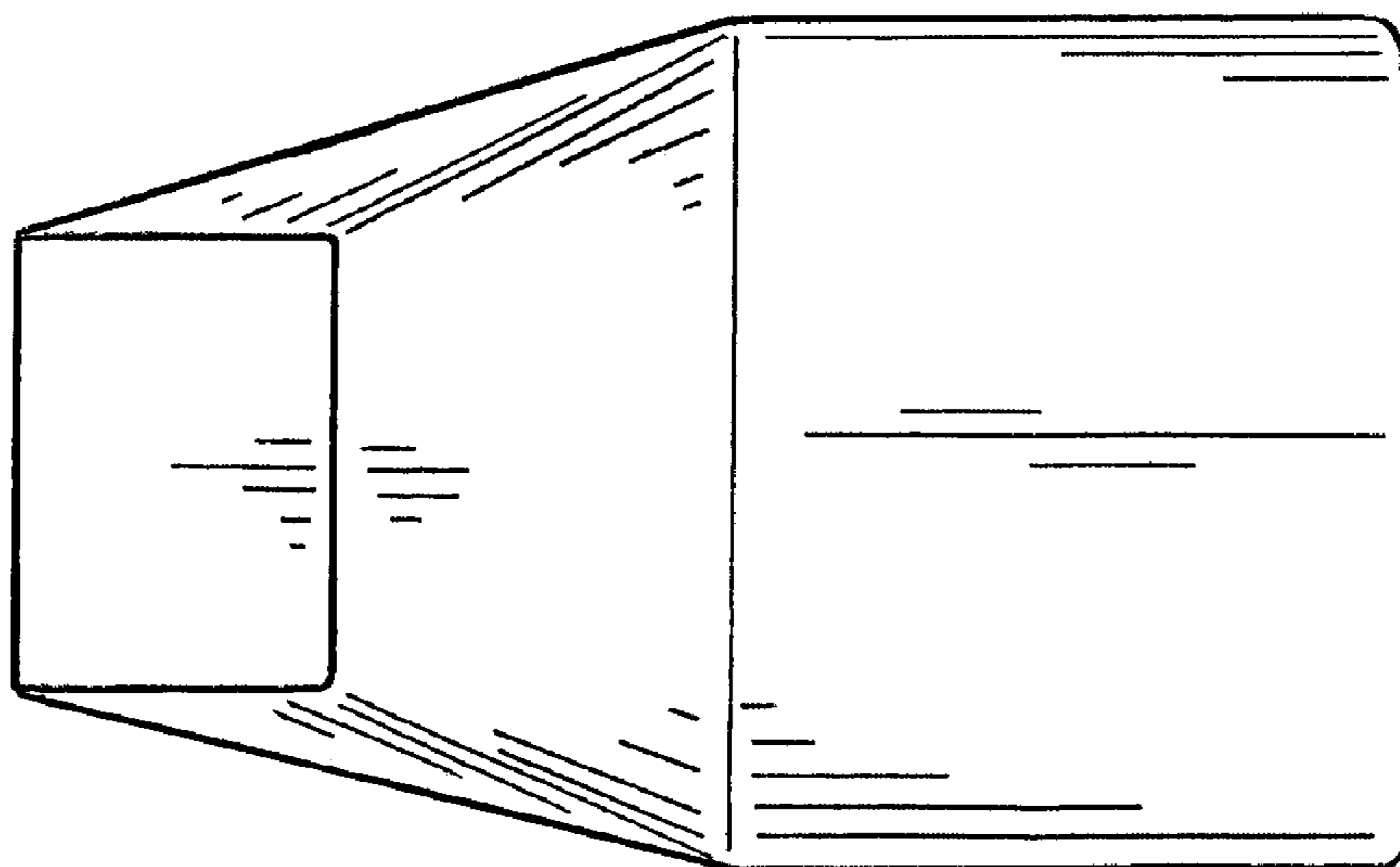


FIG. 6