



US00D582719S

(12) **United States Design Patent**
Kaposi

(10) **Patent No.:** **US D582,719 S**
(45) **Date of Patent:** **** Dec. 16, 2008**

(54) **MULTI-CHOPPER**
(75) Inventor: **Sascha Kaposi**, Tacoma, WA (US)
(73) Assignee: **Progressive International Corporation**,
Kent, WA (US)
(**) Term: **14 Years**
(21) Appl. No.: **29/317,573**
(22) Filed: **May 1, 2008**
(51) **LOC (8) Cl.** **31-00**
(52) **U.S. Cl.** **D7/381; D7/378**
(58) **Field of Classification Search** D7/350.2-350.3,
D7/354, 360, 376-386, 412-414, 665; D21/524;
99/509-513; 241/30-37.5, 166-169.1, 274-278.2,
241/285.1-285.3, 291, 292.1; 366/64-67,
366/98, 197-211, 241-254, 279-292, 341-343
See application file for complete search history.

4,670,987 A 6/1987 Casey, Jr.
4,759,148 A 7/1988 Love
4,805,843 A 2/1989 Draper
4,924,575 A 5/1990 James
D311,848 S * 11/1990 Mikami et al. D7/350.2
5,098,286 A 3/1992 York
5,121,679 A 6/1992 Mertz
D331,687 S 12/1992 Gilbert
5,245,902 A 9/1993 Pereira
D341,515 S * 11/1993 Hamada et al. D7/350.2
5,271,317 A 12/1993 Aguerrevere et al.
5,303,472 A 4/1994 Mbanugo
5,337,480 A 8/1994 Codikow
D358,528 S * 5/1995 Hyun D7/350.2
D364,310 S * 11/1995 Cesaroni et al. D7/350.2
5,499,578 A 3/1996 Payne
5,516,038 A 5/1996 Zaccarini
D371,932 S * 7/1996 Lee D7/350.2

(Continued)

FOREIGN PATENT DOCUMENTS

GB 2286110 8/1995

(Continued)

(56) **References Cited**
U.S. PATENT DOCUMENTS

113,023 A 3/1871 Crawford
662,588 A 11/1900 Bloom
751,433 A 2/1904 Kennedy
809,952 A 1/1906 Hoffa
928,019 A 7/1909 Bartow
1,504,501 A 8/1924 Pope
1,674,475 A 6/1928 Loomis
2,030,975 A 2/1936 Fairchild
2,309,814 A 2/1943 Youngberg
2,485,877 A 10/1949 Hamilton, Jr.
3,077,213 A 2/1963 Germano
3,216,474 A 11/1965 Popeil
3,601,249 A 8/1971 Larsson
3,997,072 A 12/1976 Guth
4,095,339 A 6/1978 Turner
4,212,431 A 7/1980 Doyel
4,457,070 A 7/1984 Reeves
4,557,053 A 12/1985 Hadley, Jr.
D282,942 S * 3/1986 Hartelius D21/524
4,573,384 A 3/1986 Jones
4,574,479 A 3/1986 Gramann

Primary Examiner—Caron D. Veynar
Assistant Examiner—Ricky Pham
(74) *Attorney, Agent, or Firm*—Black Lowe & Graham PLLC

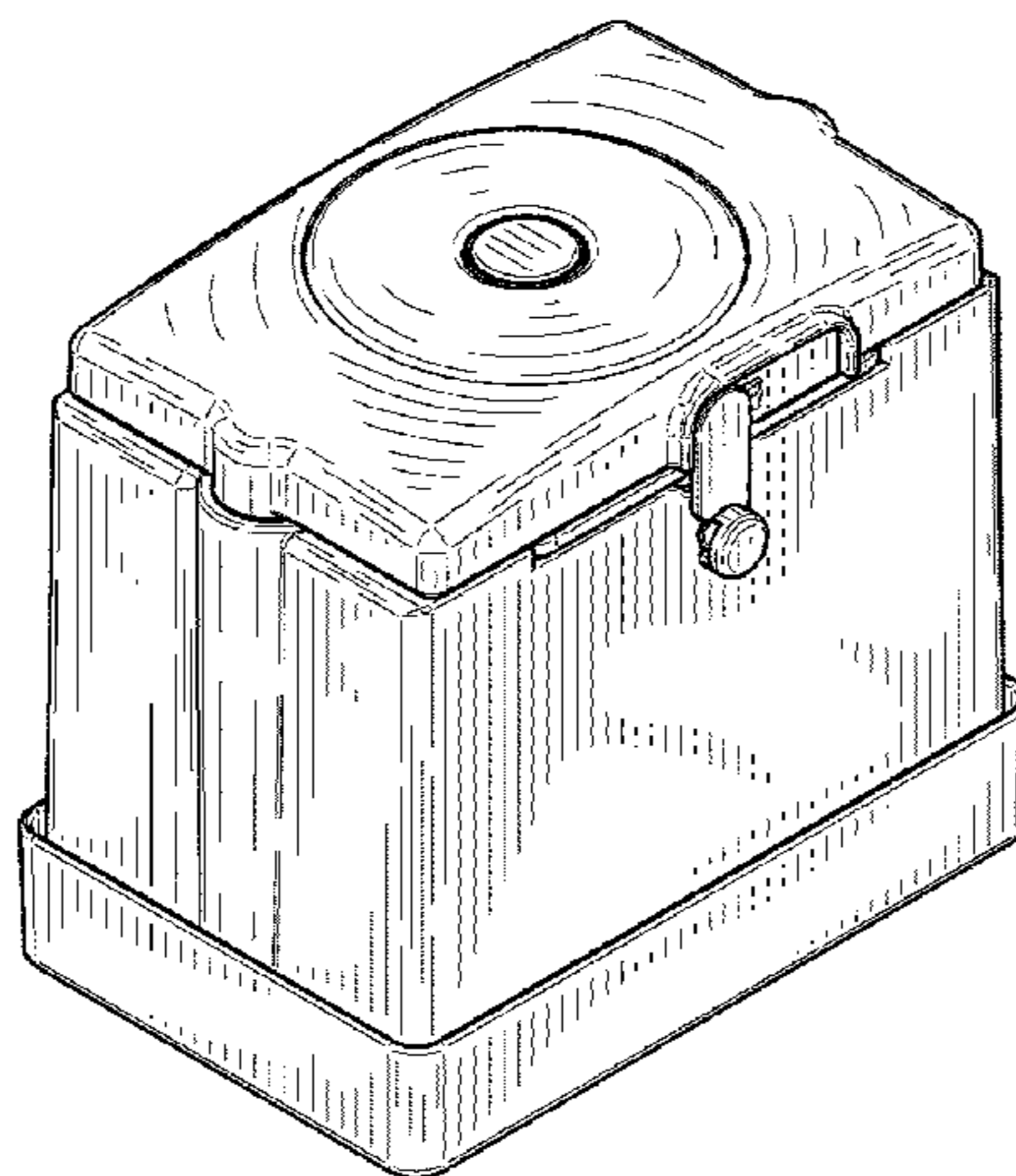
(57) **CLAIM**

I claim the ornamental design for the multi-chopper, as shown.

DESCRIPTION

FIG. 1 is a top perspective view of the multi-chopper, showing my new design;
FIG. 2 is a right side view of the multi-chopper;
FIG. 3 is a top view of the multi-chopper;
FIG. 4 is a front side view of the multi-chopper;
FIG. 5 is a back view of the multi-chopper;
FIG. 6 is a left side view of the multi-chopper; and,
FIG. 7 is a bottom view of the multi-chopper.

1 Claim, 4 Drawing Sheets



US D582,719 S

Page 2

U.S. PATENT DOCUMENTS

5,562,533 A 10/1996 Gallagher
5,692,424 A 12/1997 Wallace
D388,665 S 1/1998 So
5,704,485 A 1/1998 Cautereels et al.
D393,177 S * 4/1998 Jung D7/350.2
D394,780 S * 6/1998 Jung D7/350.2
5,937,525 A 8/1999 Chan
5,967,875 A 10/1999 Graef
6,047,625 A 4/2000 Mendenhall
6,209,439 B1 4/2001 Repac et al.
D447,391 S 9/2001 Bodum
6,293,445 B1 9/2001 Miller
6,336,552 B1 1/2002 Meier
D474,937 S * 5/2003 Josancy D7/354
6,558,244 B1 5/2003 Nedelka
D475,570 S * 6/2003 Josancy D7/354
6,601,491 B1 8/2003 Jensen
D485,328 S 1/2004 Jastrzembski

6,726,266 B2 4/2004 May
6,799,495 B2 10/2004 Jensen
6,802,149 B1 10/2004 Albanese, Jr. et al.
6,805,032 B2 10/2004 Engdahl
D499,615 S 12/2004 Nordgren
6,923,104 B2 8/2005 Jensen
D519,001 S 4/2006 So
D522,799 S * 6/2006 Kassenaar D7/350.2
D542,095 S * 5/2007 Orent et al. D7/560
D570,152 S * 6/2008 Walters D7/354
2002/0003144 A1 1/2002 Grimes
2003/0051345 A1 3/2003 Louie et al.
2004/0055437 A1 3/2004 Engdahl

FOREIGN PATENT DOCUMENTS

WO 02064331 8/2002
WO 2005090029 9/2005

* cited by examiner

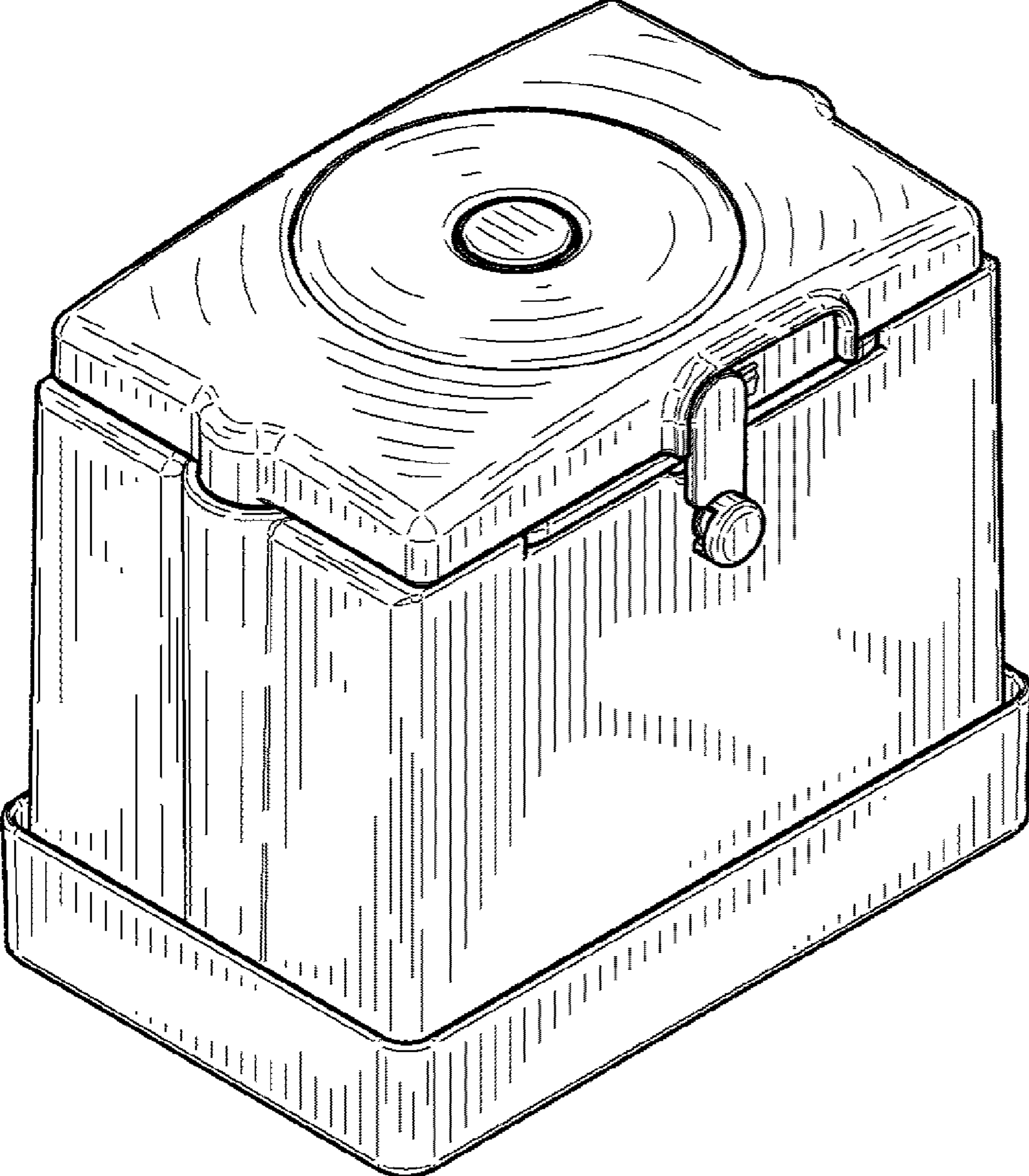


FIG.1

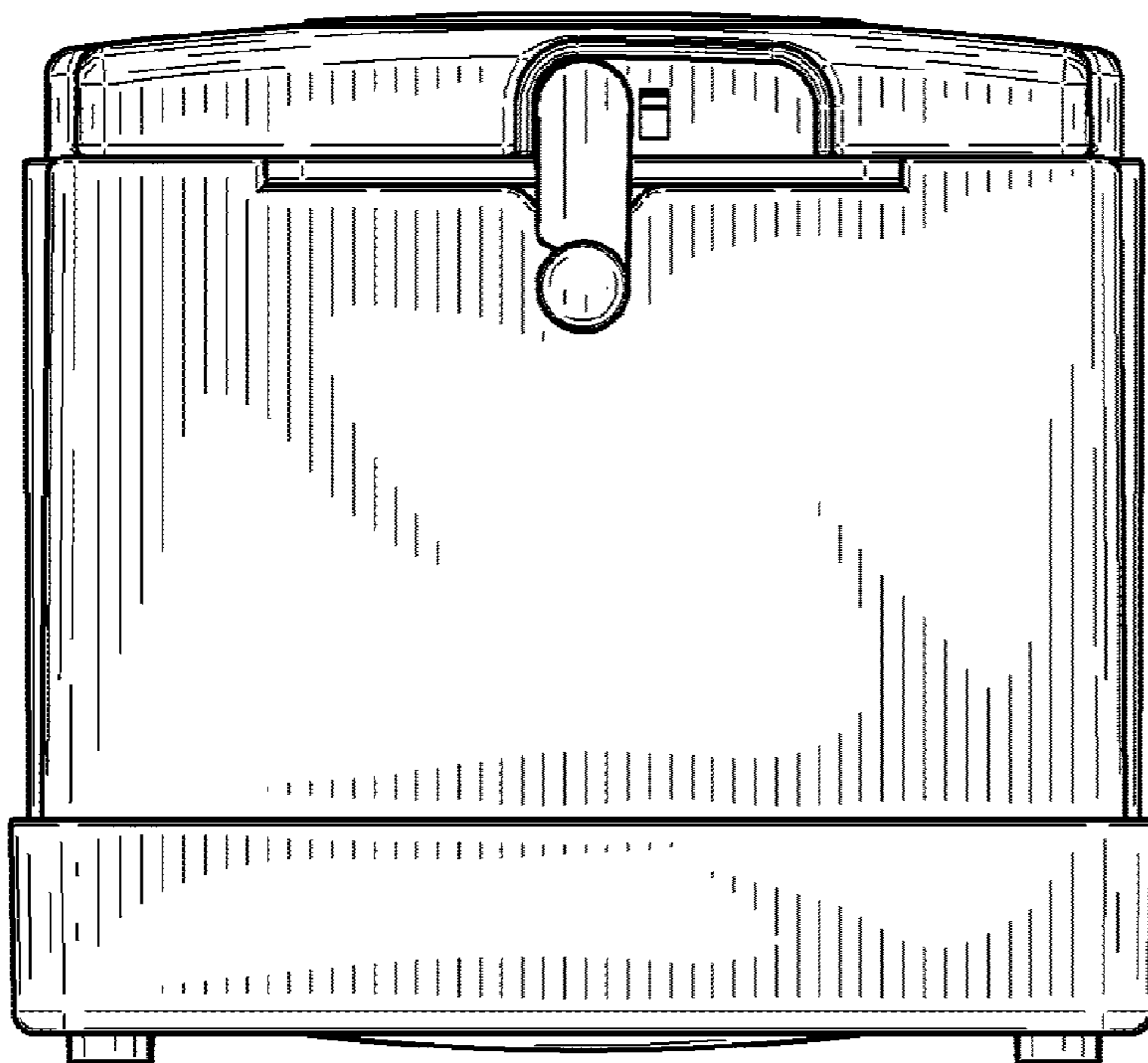


FIG. 2

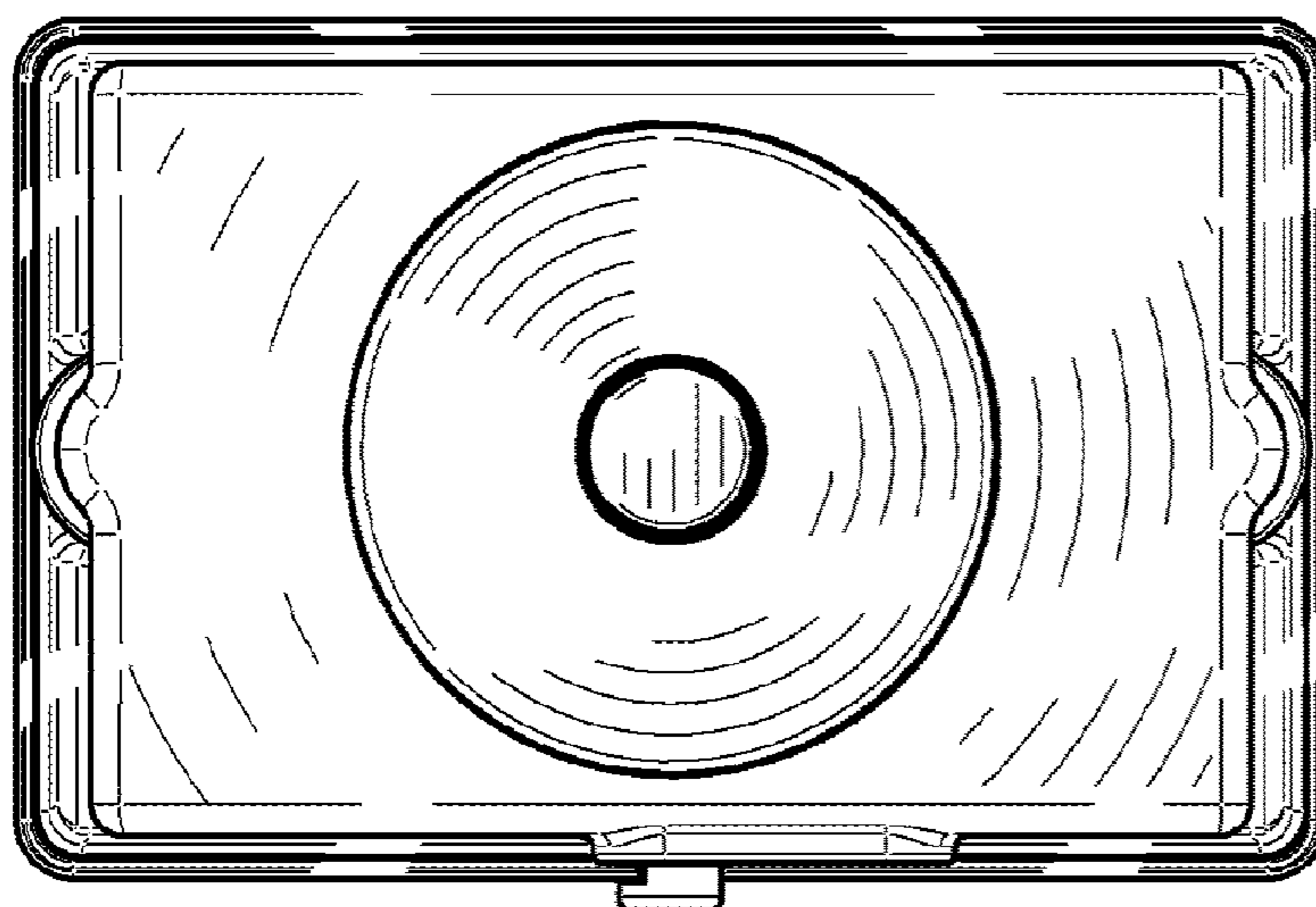


FIG. 3

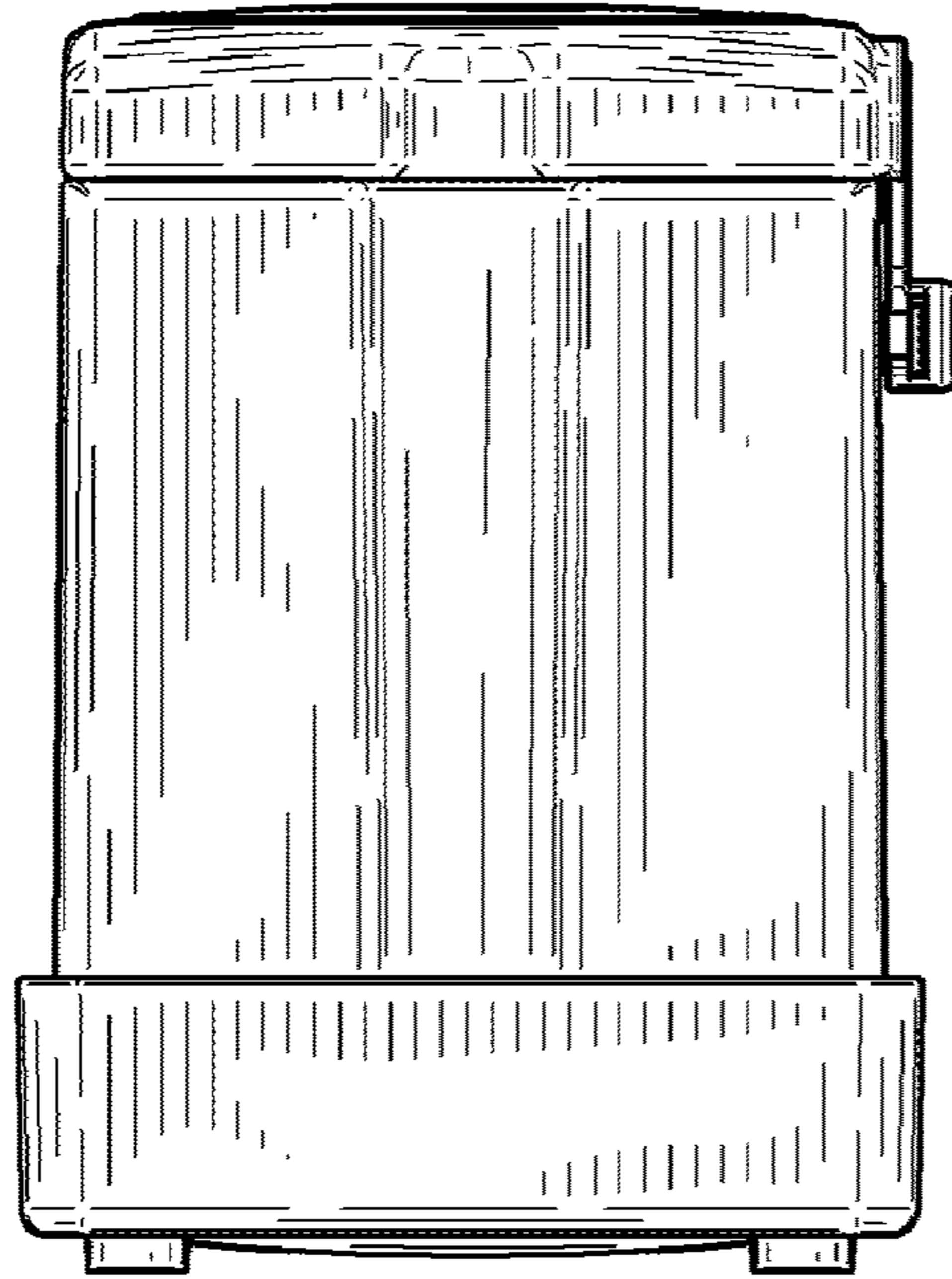


FIG. 4

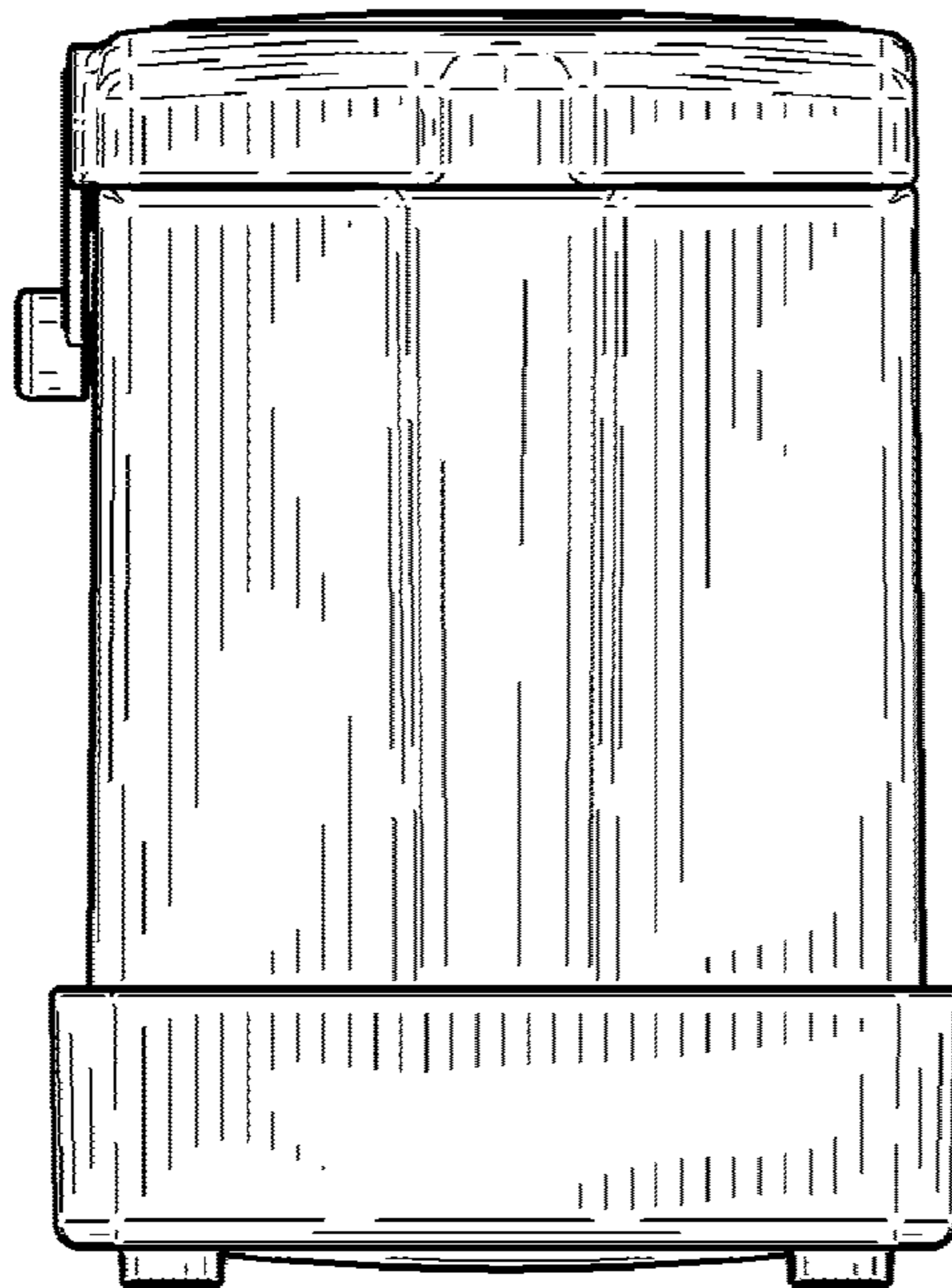


FIG. 5

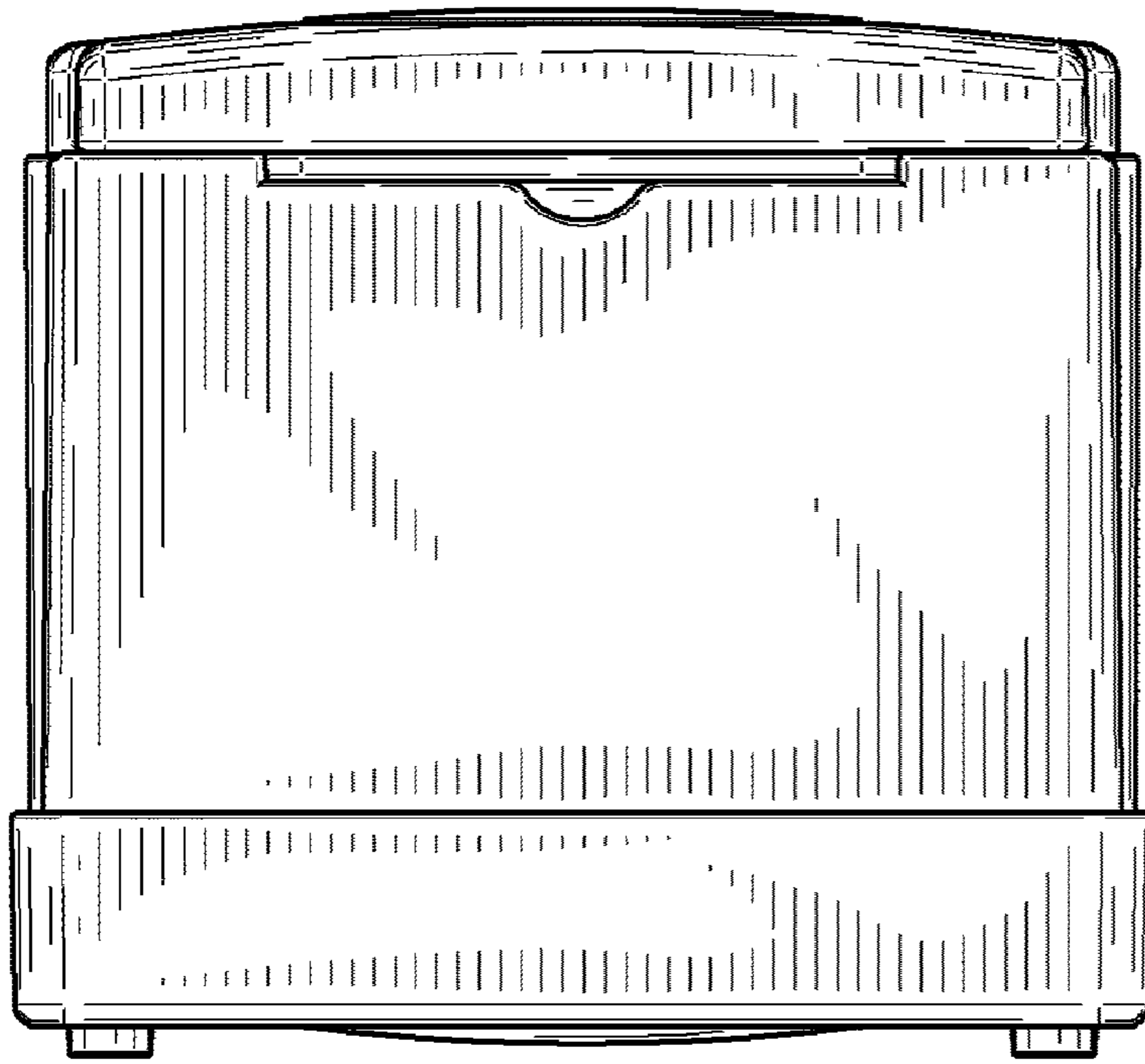


FIG. 6

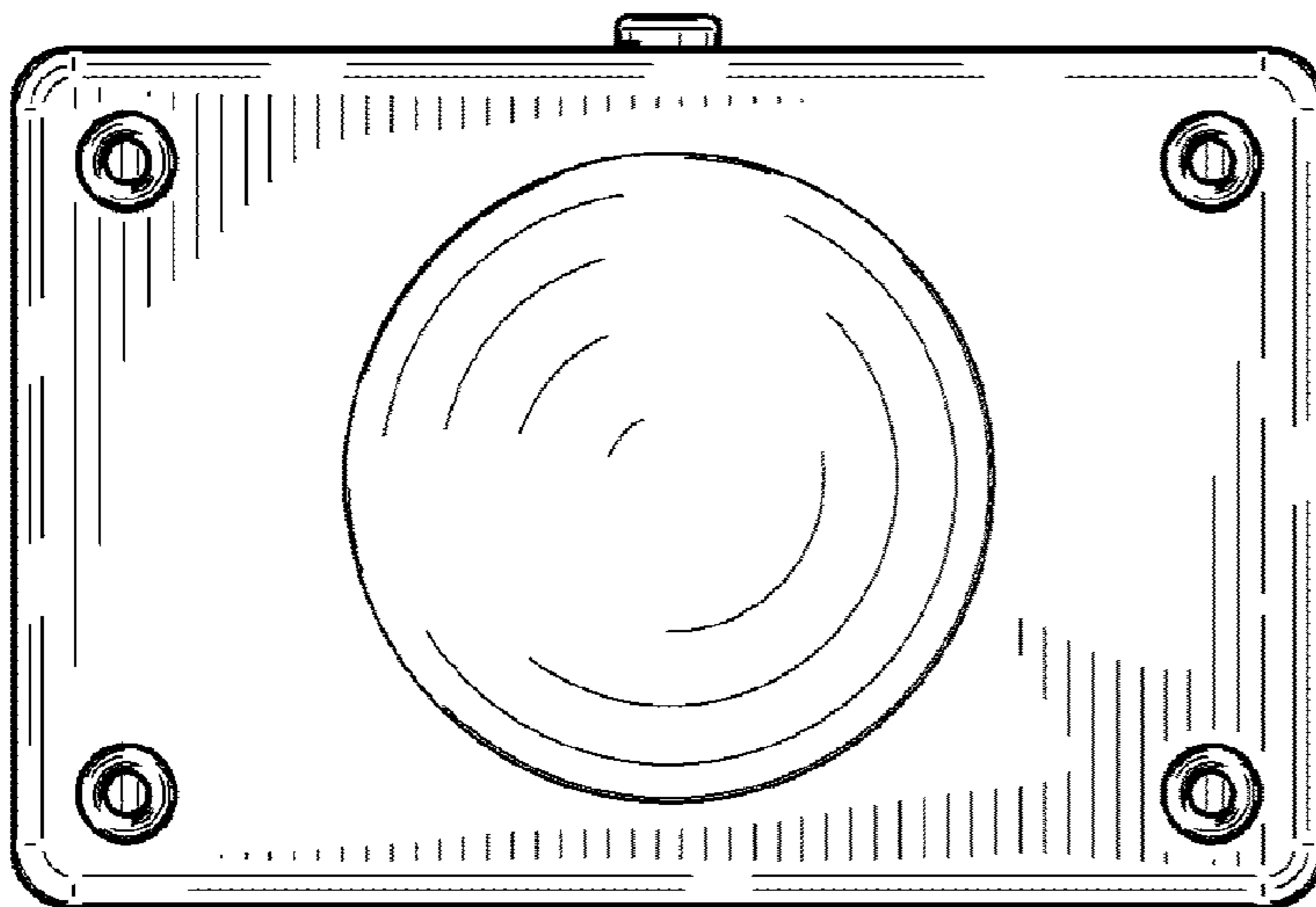


FIG. 7